



US00D676572S

(12) **United States Design Patent**
Tarriff

(10) **Patent No.:** **US D676,572 S**

(45) **Date of Patent:** **** Feb. 19, 2013**

(54) **VIAL WITH COLLAR LABEL**

(75) Inventor: **Scott L. Tarriff**, Mahwah, NJ (US)

(73) Assignee: **Eagle Pharmaceuticals, Inc.**, Woodcliff, NJ (US)

(**) Term: **14 Years**

(21) Appl. No.: **29/403,209**

(22) Filed: **Oct. 3, 2011**

(51) **LOC (9) Cl.** **24-01**

(52) **U.S. Cl.** **D24/224; D9/719**

(58) **Field of Classification Search** D24/216–217, D24/219, 223–226, 227, 229–231, 232, 107, D24/121–123; D10/81; 422/547–554, 556, 422/558, 559, 500; 435/288.1, 288.2, 288.3, 435/288.4, 294.1, 304.1, 304.3, 305.1–305.4; D3/201, 203.1, 203.2; D9/504, 516, 519, D9/529, 549, 574, 715, 719

See application file for complete search history.

(56) **References Cited**

U.S. PATENT DOCUMENTS

1,277,696	A	9/1918	Clark	
1,796,398	A	3/1931	Richardson	
2,177,359	A	10/1939	Baker	
2,250,666	A	7/1941	Godefroy	
D298,012	S *	10/1988	Larkin et al.	D24/224
5,301,857	A	4/1994	Green	
5,555,655	A	9/1996	Yager et al.	
5,960,973	A	10/1999	Markson	
6,340,359	B1 *	1/2002	Silverman	604/415
D458,540	S *	6/2002	Clements et al.	D9/516
D482,794	S *	11/2003	Whitley	D24/224
D489,264	S *	5/2004	Peronek	D9/516
6,904,867	B2	6/2005	Zamjahn	
D550,571	S *	9/2007	Diaz	D9/719
D567,388	S *	4/2008	Harold et al.	D24/224
D583,242	S *	12/2008	Adler et al.	D9/516
D586,472	S *	2/2009	Harold et al.	D24/224
7,774,962	B1	8/2010	Ladd	
D656,236	S *	3/2012	Marechal et al.	D24/224

2006/0283059	A1	12/2006	Cope et al.	
2009/0036865	A1 *	2/2009	Moy et al.	604/416
2011/0053208	A1 *	3/2011	Reiss et al.	435/29

* cited by examiner

Primary Examiner — Anhdao Doan

(74) *Attorney, Agent, or Firm* — Lucas & Mercanti, LLP

(57) **CLAIM**

The ornamental design for a vial with collar label, as shown and described.

DESCRIPTION

FIG. 1 is a perspective view of a first embodiment of a vial with collar label showing my new design;

FIG. 2 is a top view of the first embodiment of the vial with collar label;

FIG. 3 is a bottom view of the first embodiment of the vial with collar label;

FIG. 4 is a first side view of the first embodiment of the vial with collar label;

FIG. 5 is a second side view of the first embodiment of the vial with collar label;

FIG. 6 is a third side view of the first embodiment of the vial with collar label;

FIG. 7 is a fourth side view of the first embodiment of the vial with collar label;

FIG. 8 is a perspective view of a second embodiment of a vial with a collar label showing my new design;

FIG. 9 is a top view of the second embodiment of the vial with collar label;

FIG. 10 is a bottom view of the second embodiment of the vial with collar label;

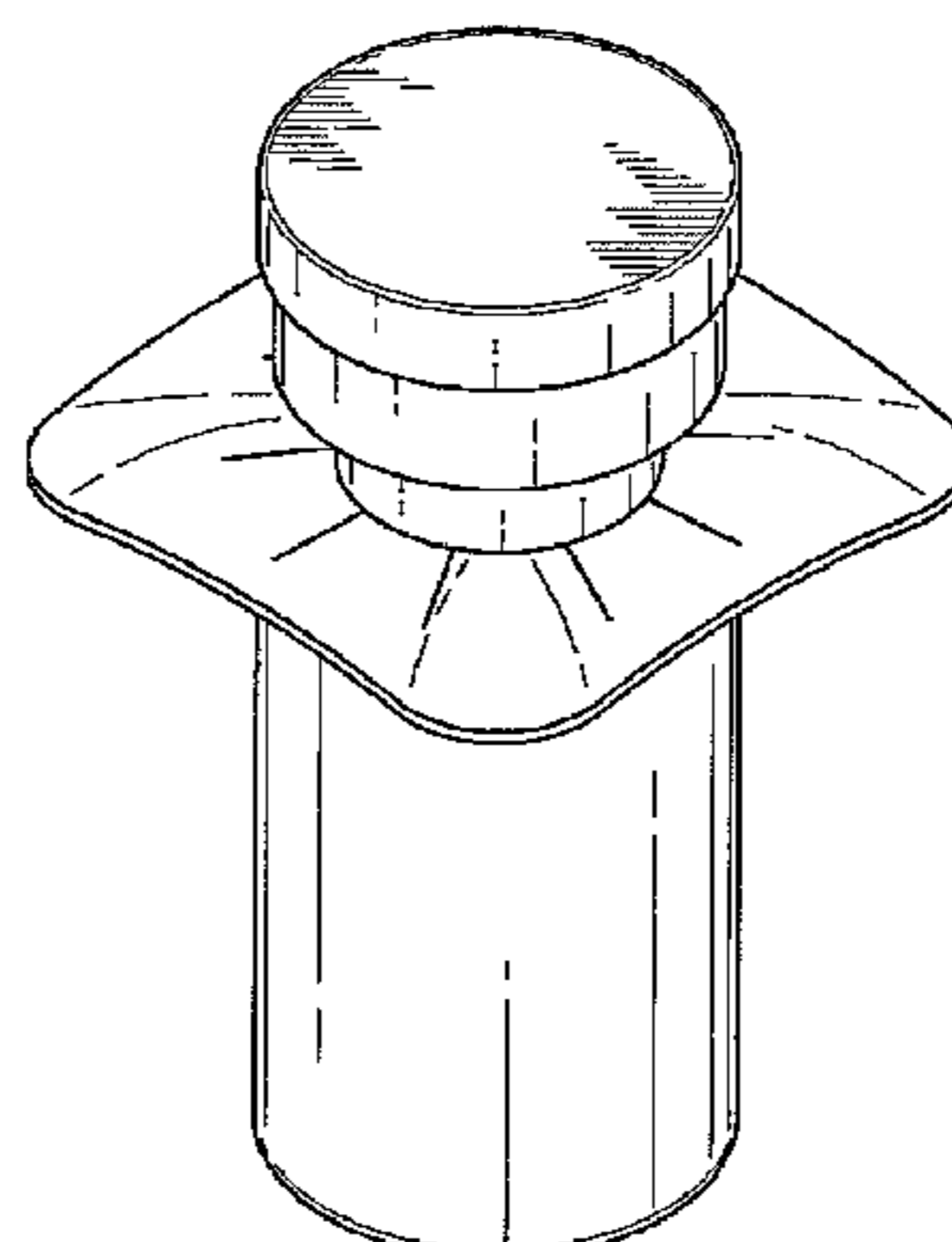
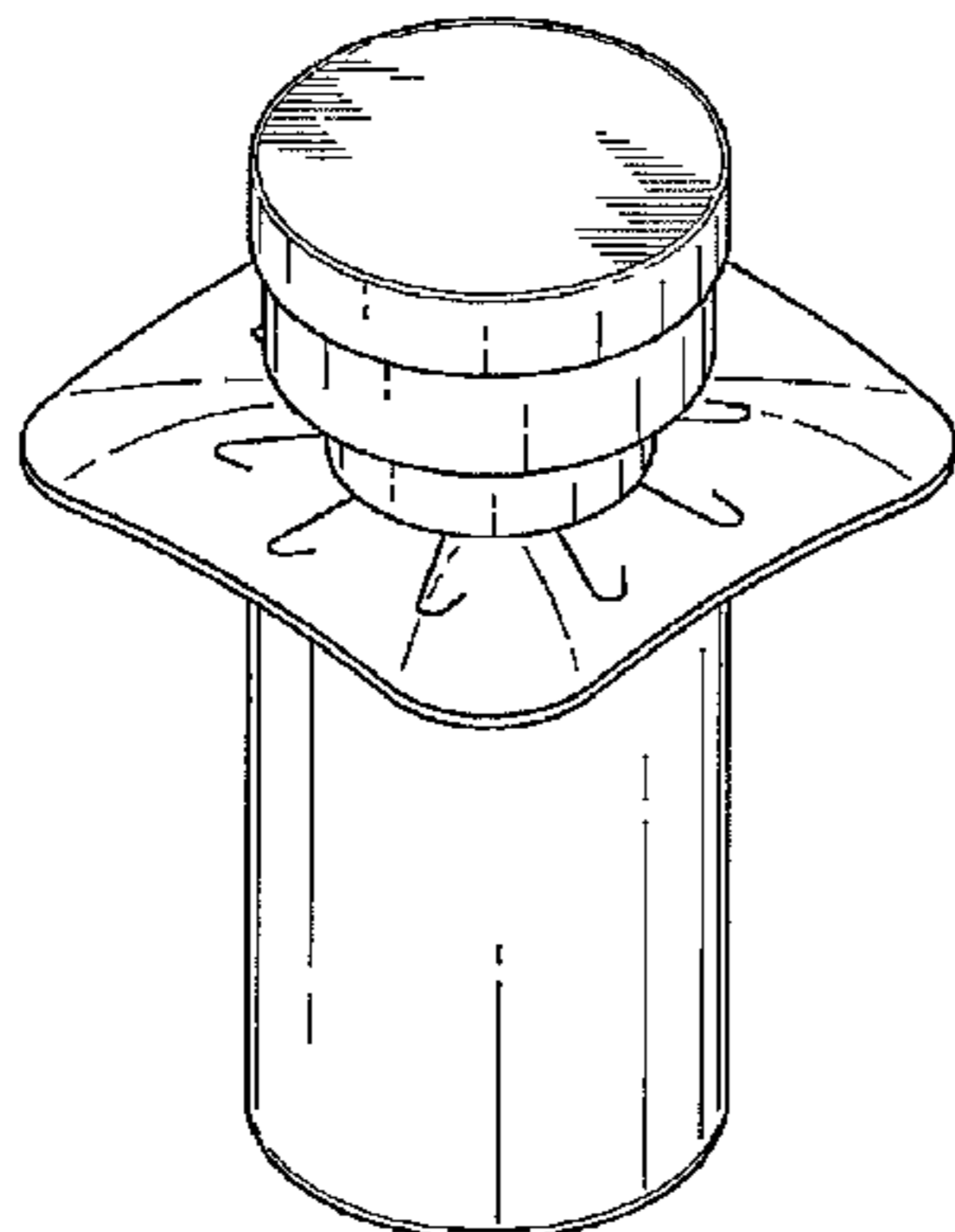
FIG. 11 is a perspective view of the first embodiment of the vial with collar label with the cap of the vial removed;

FIG. 12 is a top view of the first embodiment of the vial with collar label with the cap of the vial removed;

FIG. 13 is a perspective view of the second embodiment of the vial with collar label with the cap of the vial removed; and,

FIG. 14 is a top view of the second embodiment of the vial with collar label with the cap of the vial removed.

1 Claim, 5 Drawing Sheets



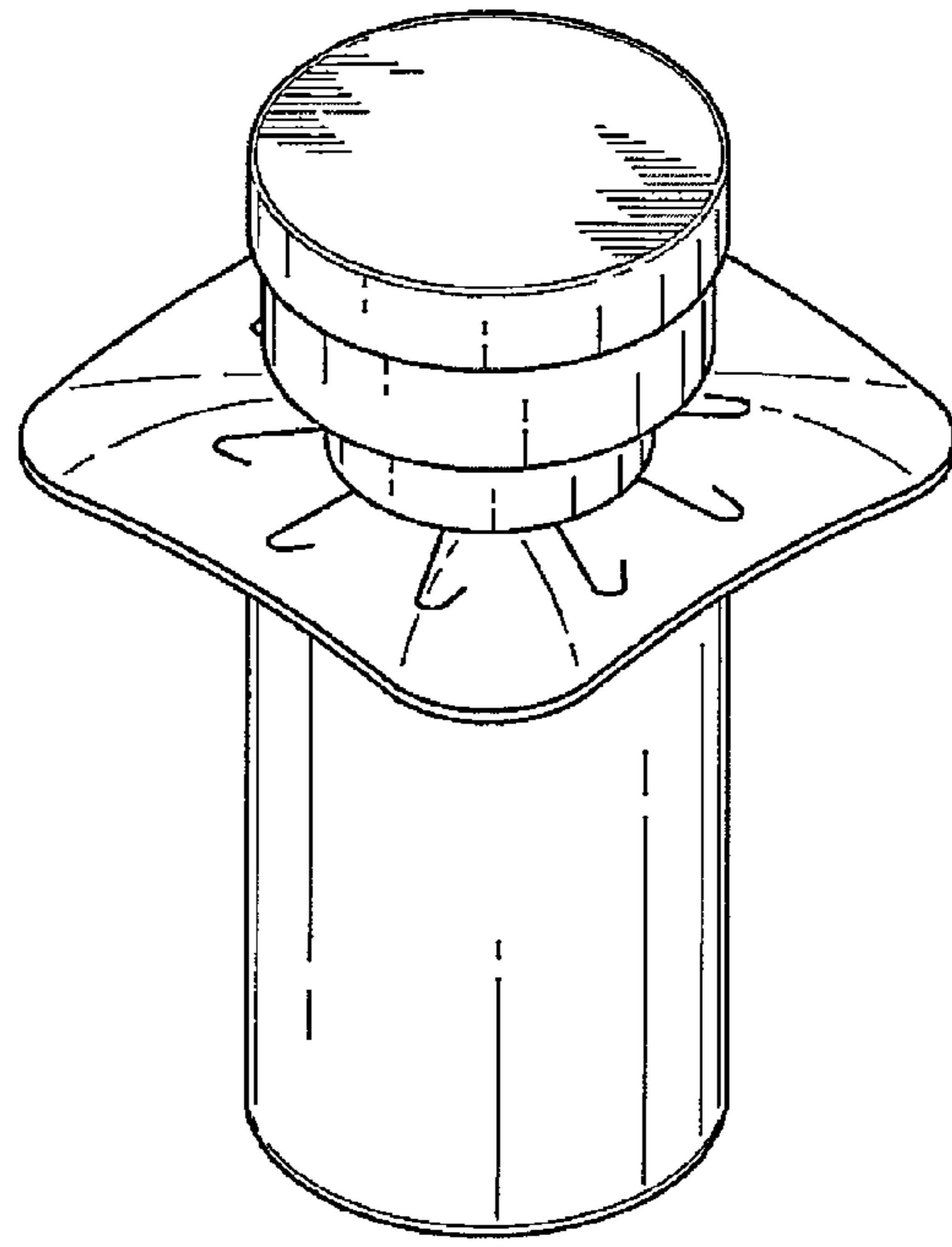


FIG. 1

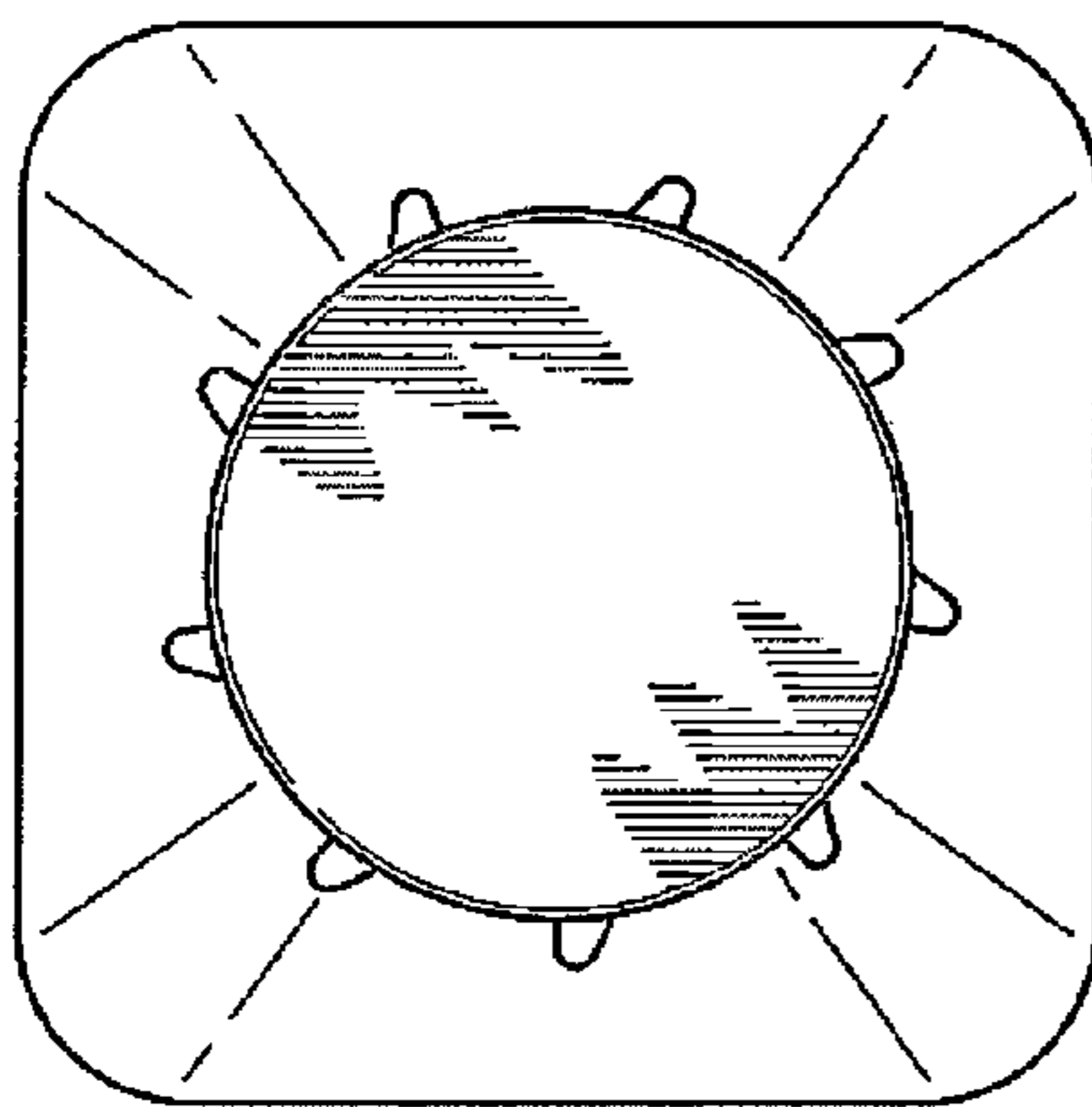


FIG. 2

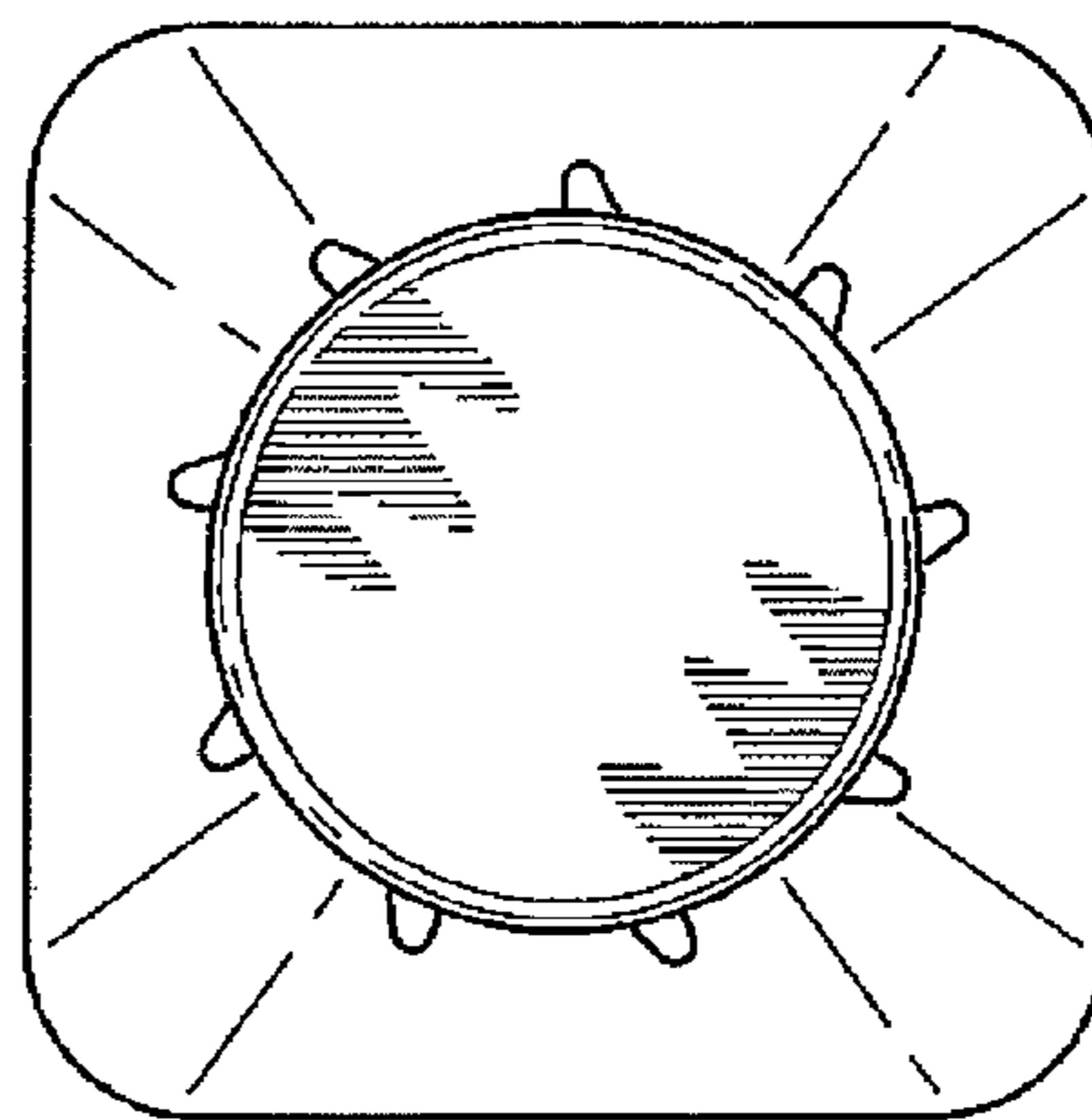


FIG. 3

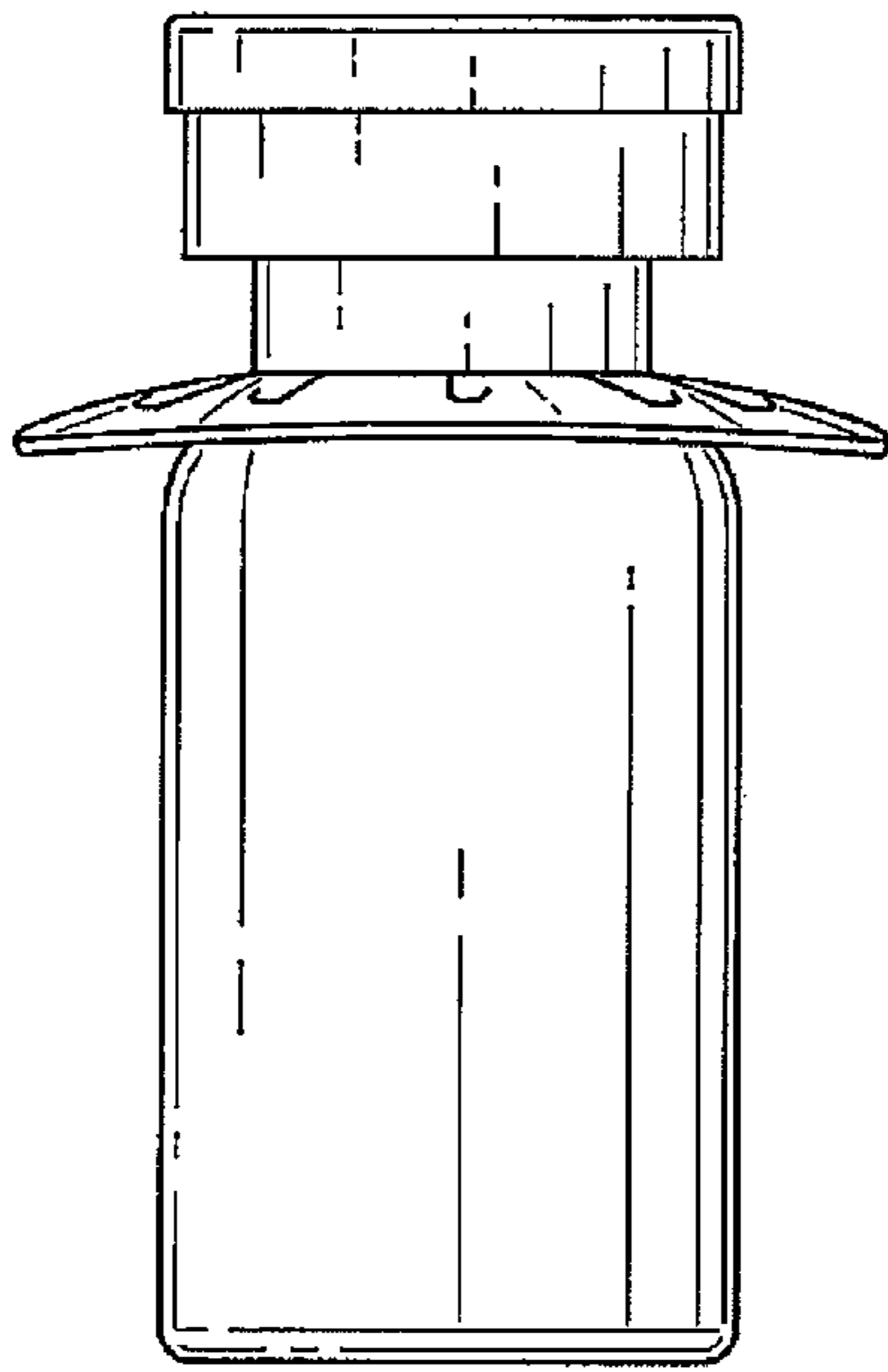


FIG. 4

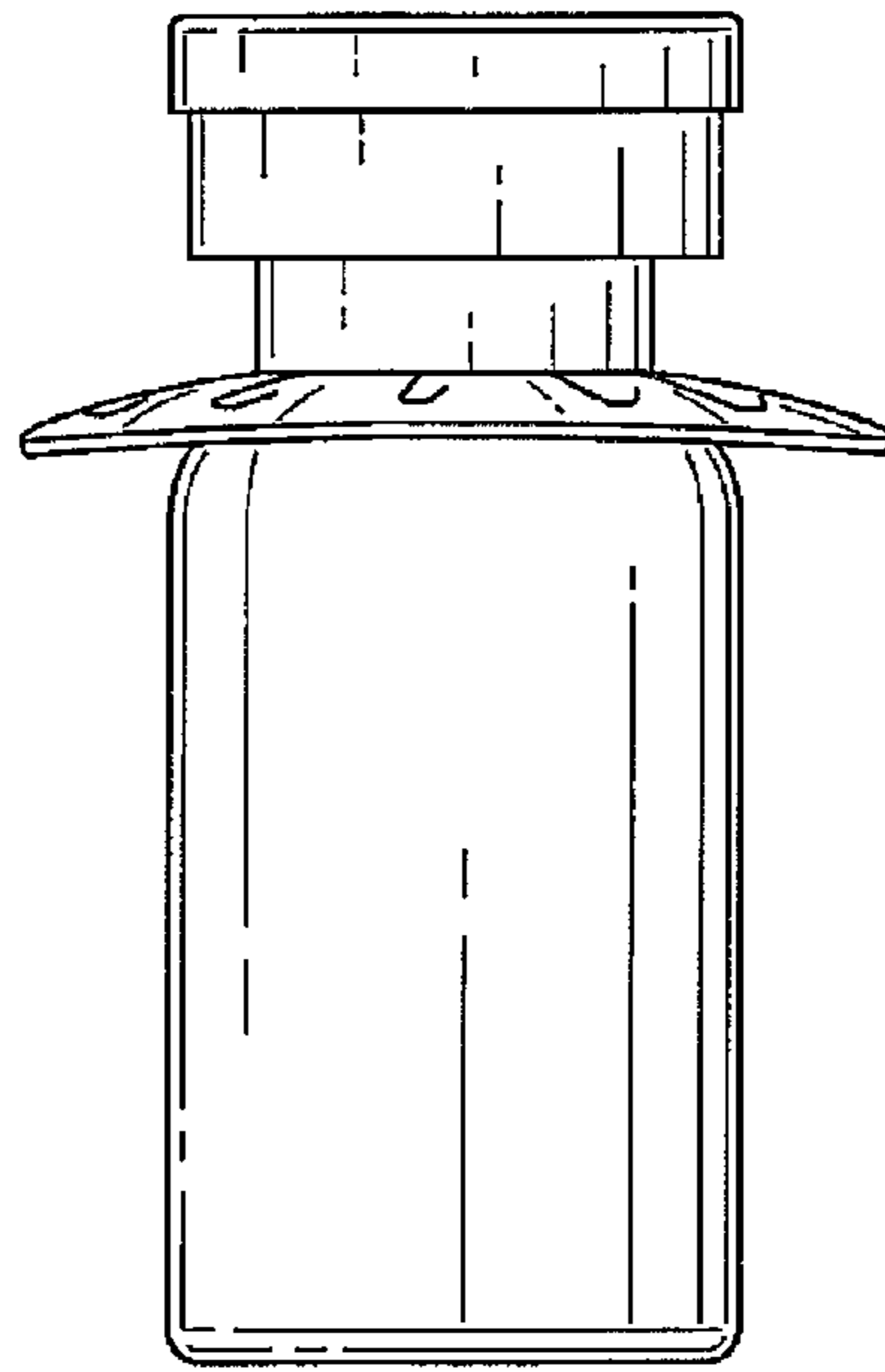


FIG. 5

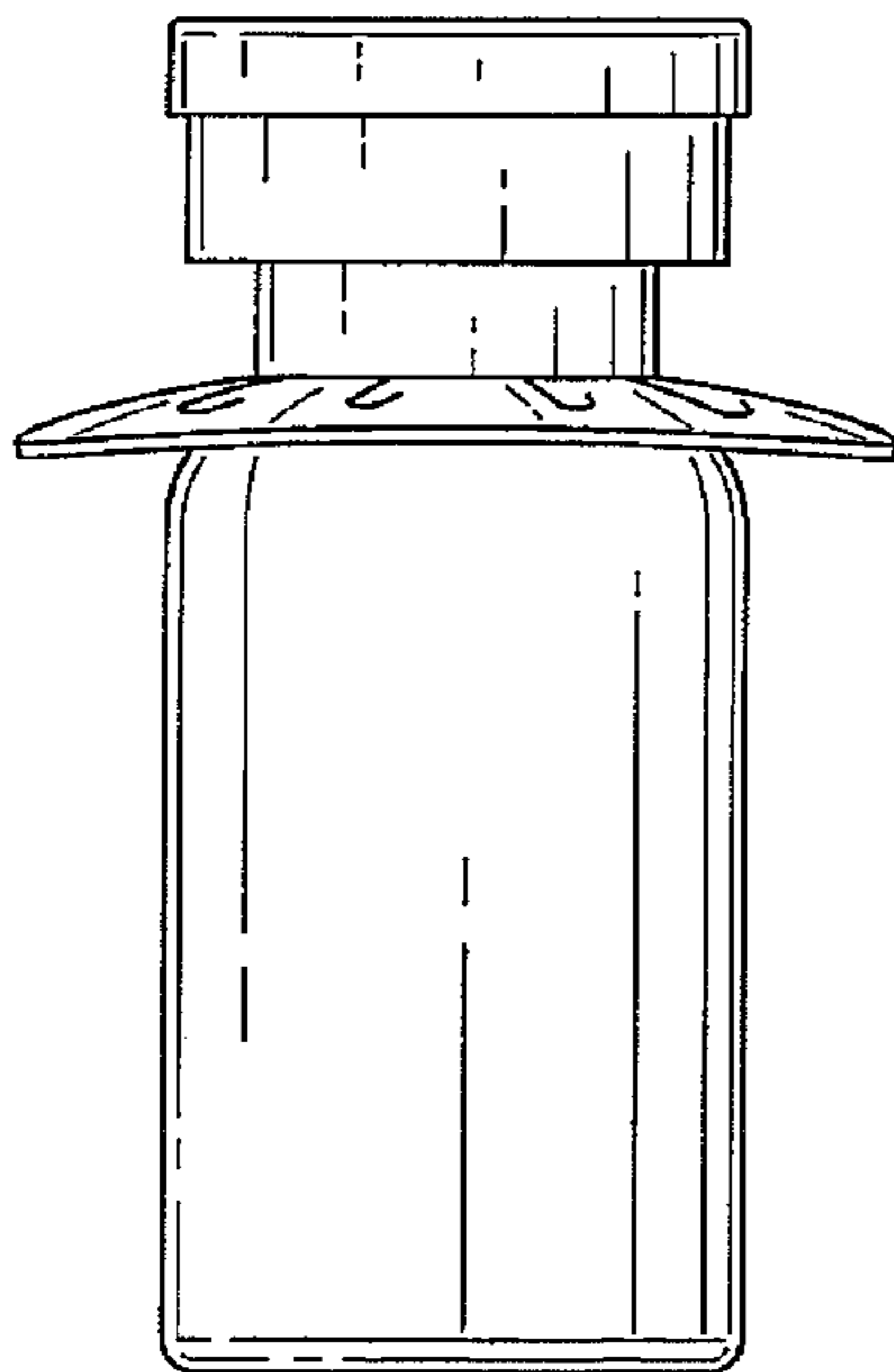


FIG. 6

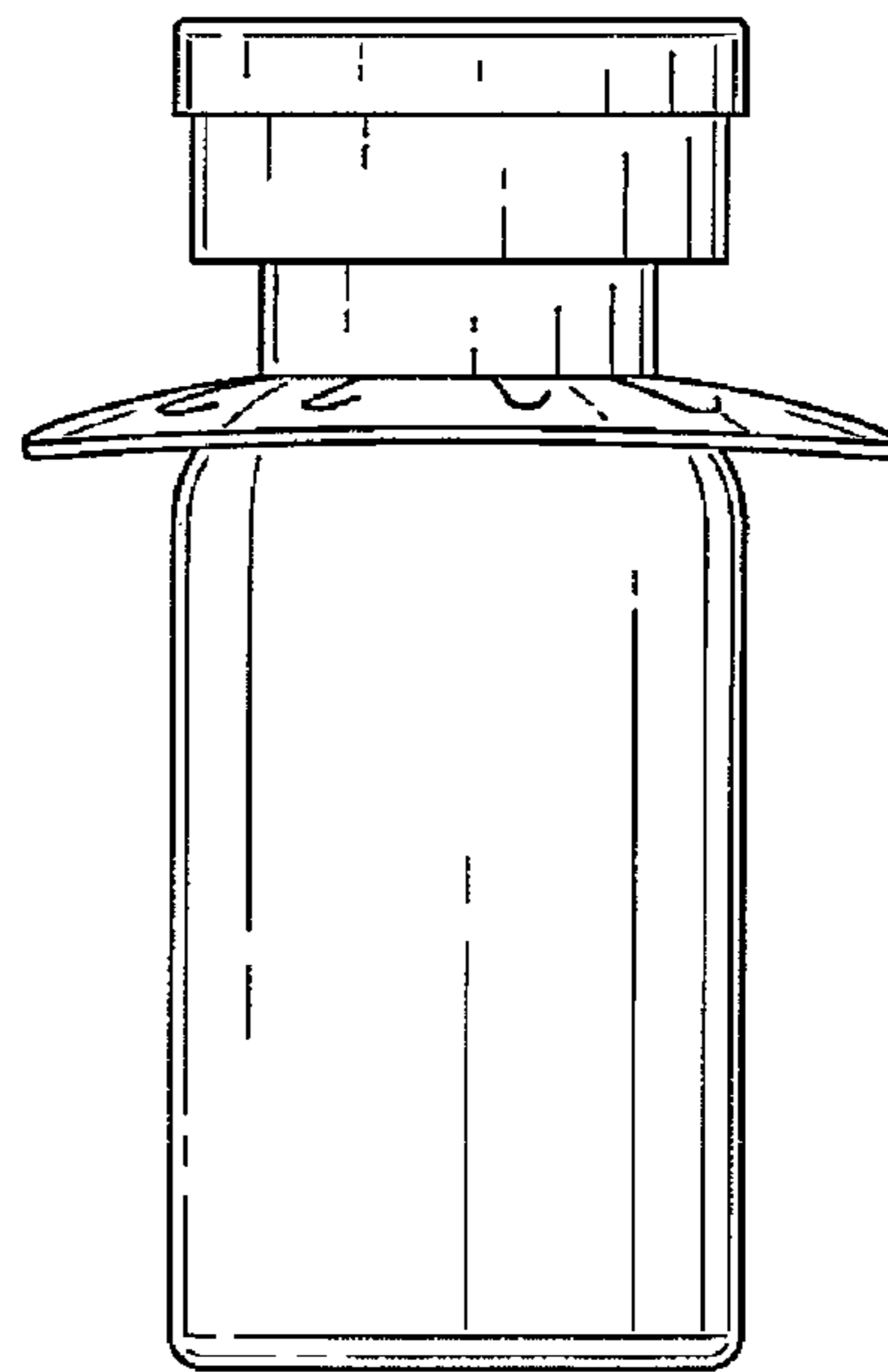


FIG. 7

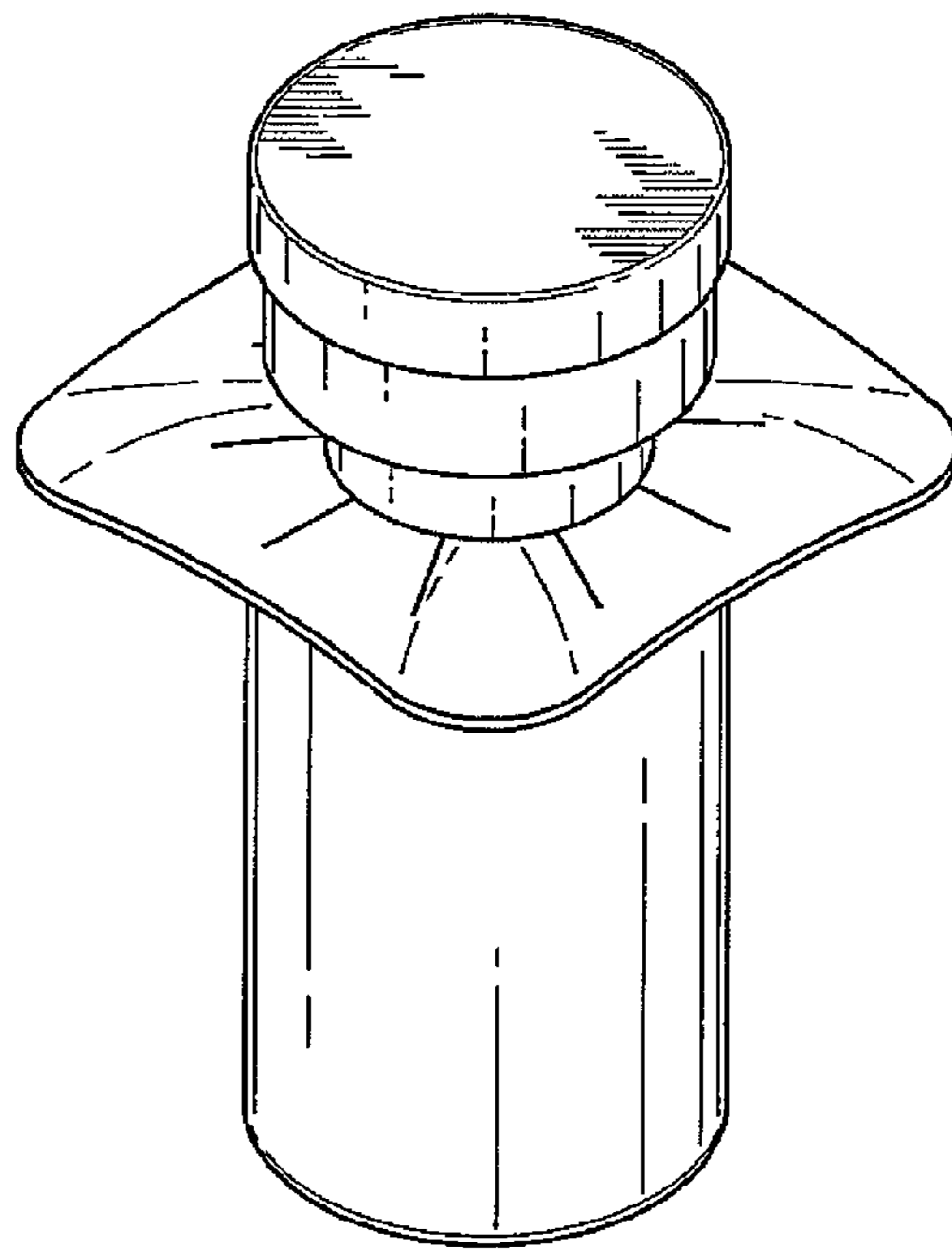


FIG. 8

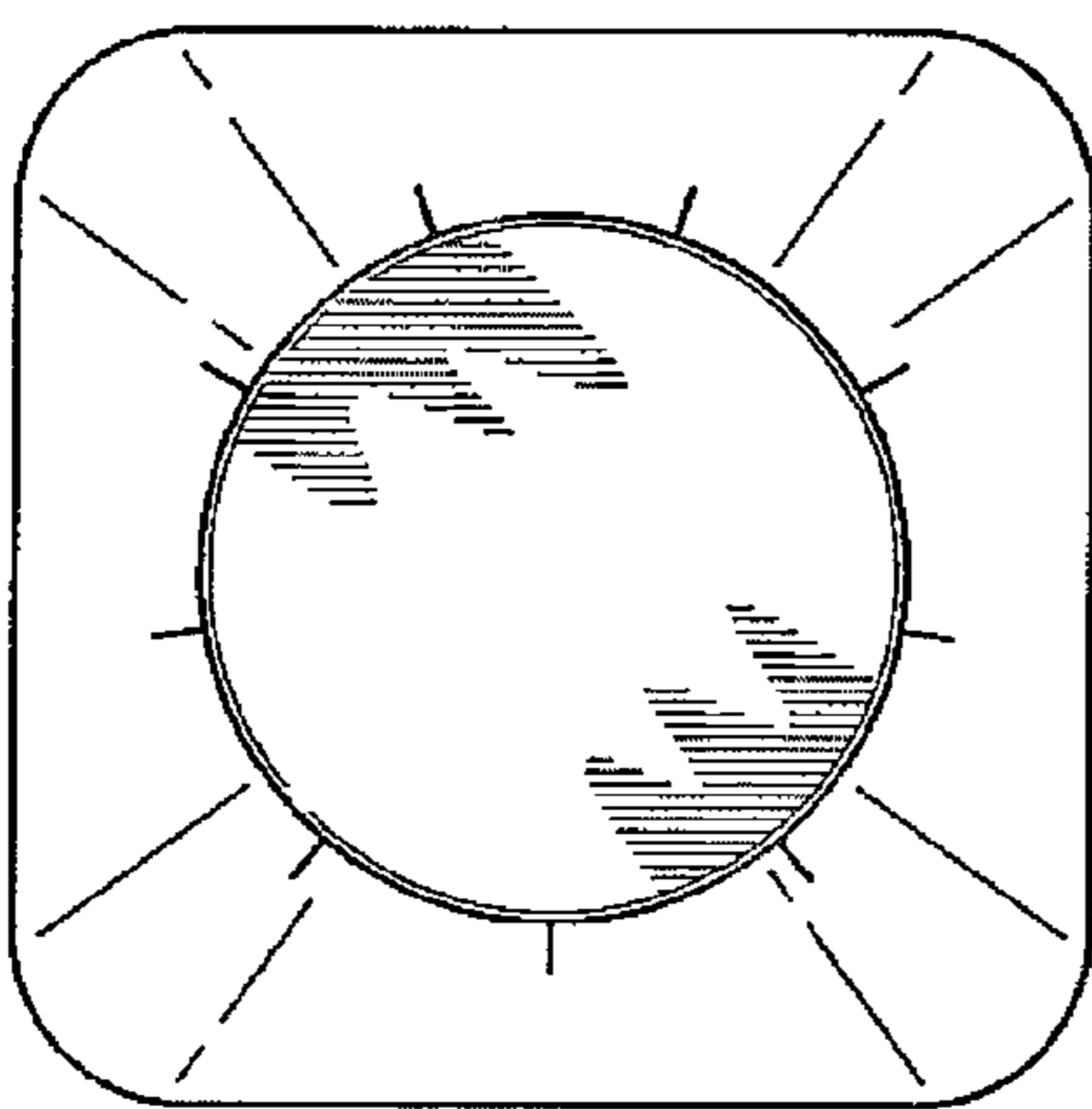


FIG. 9

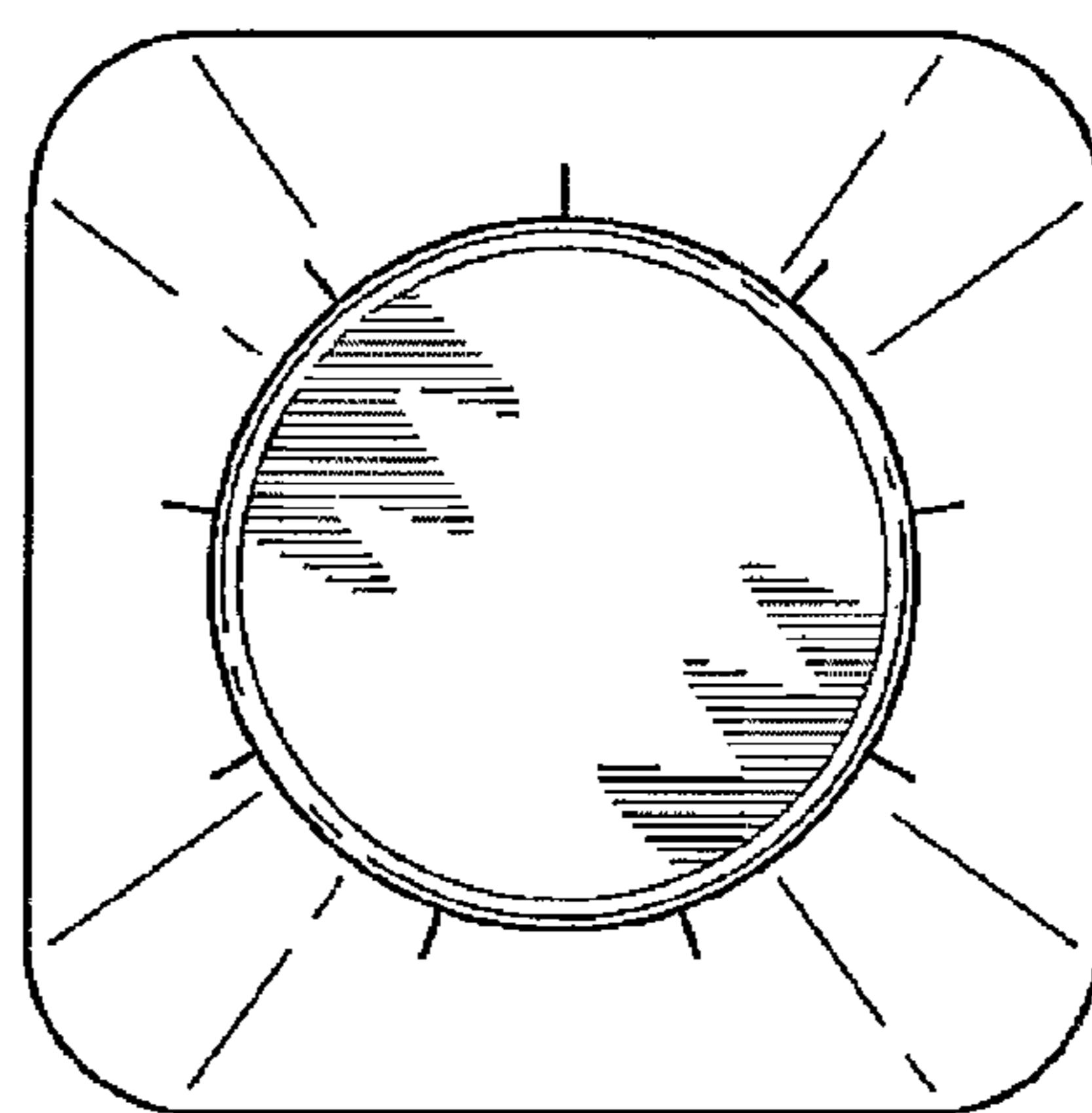


FIG. 10

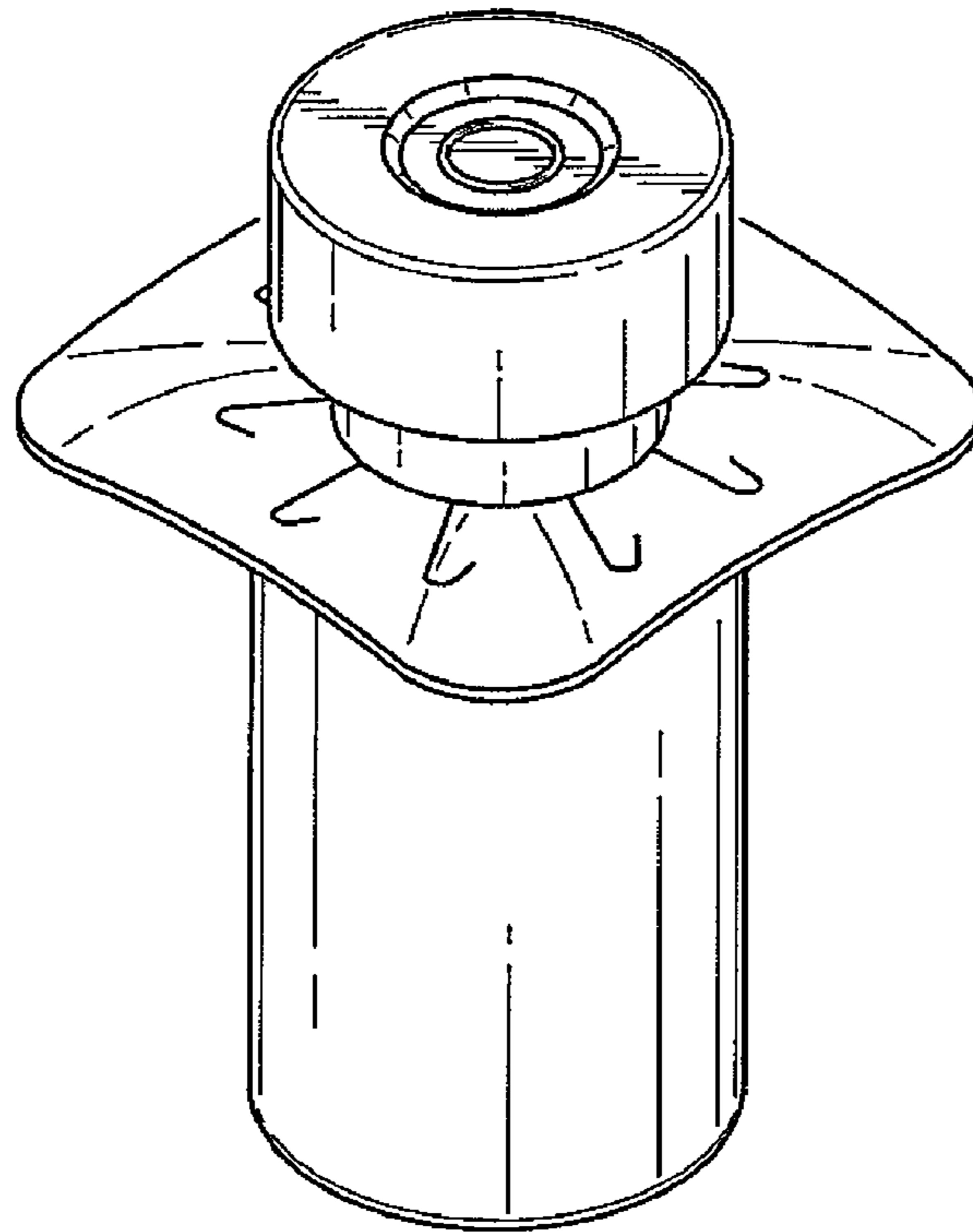


FIG. 11

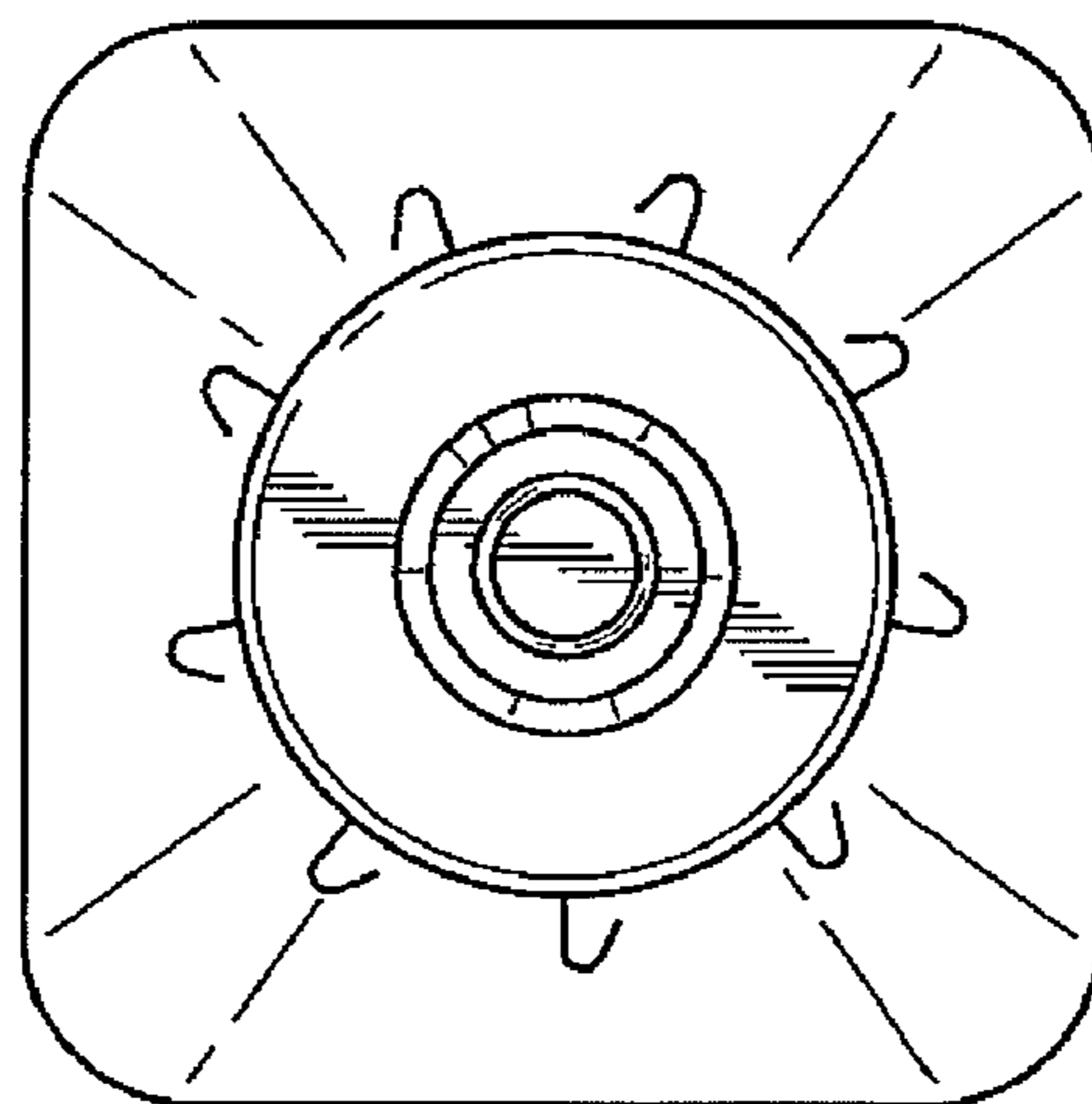


FIG. 12

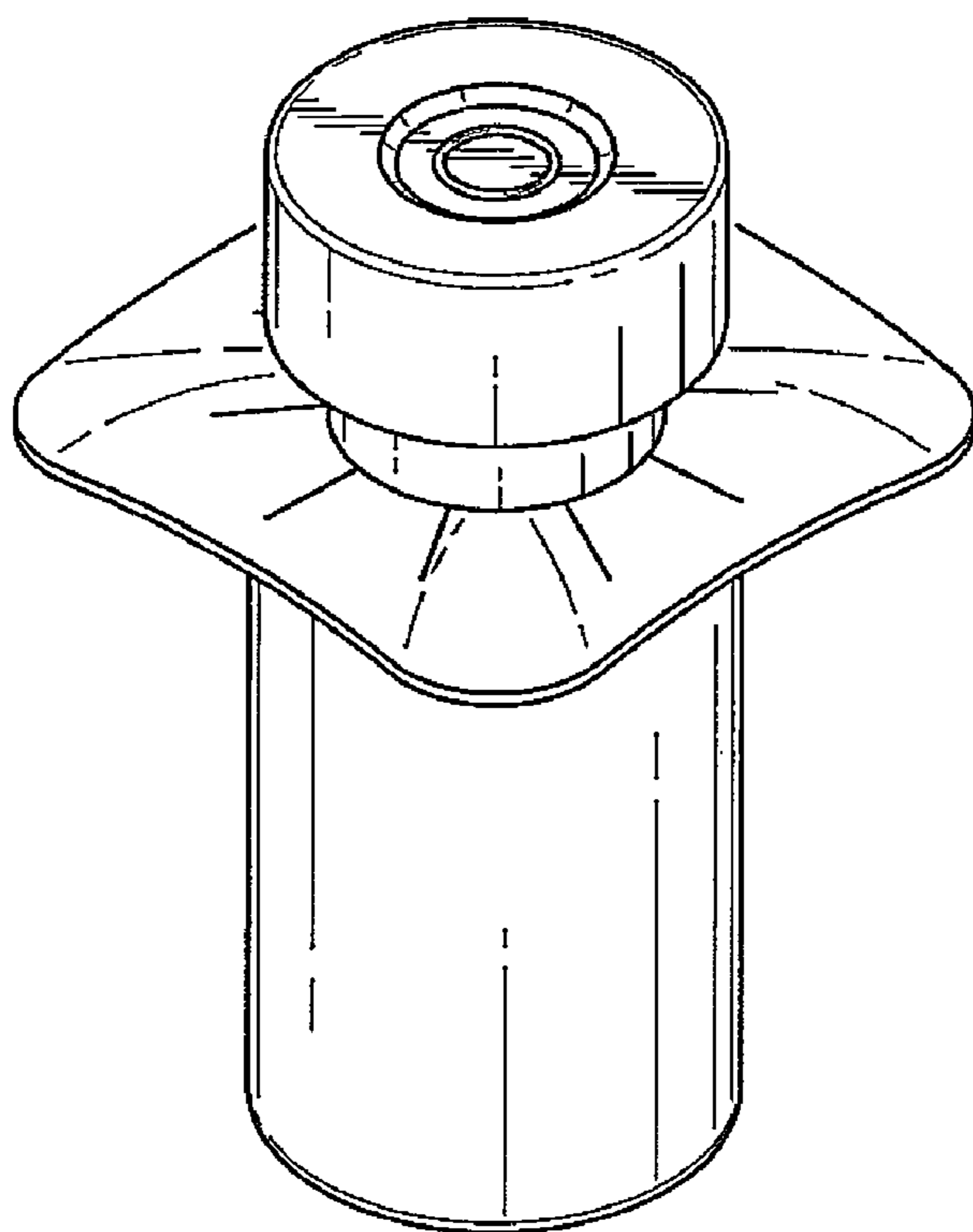


FIG. 13

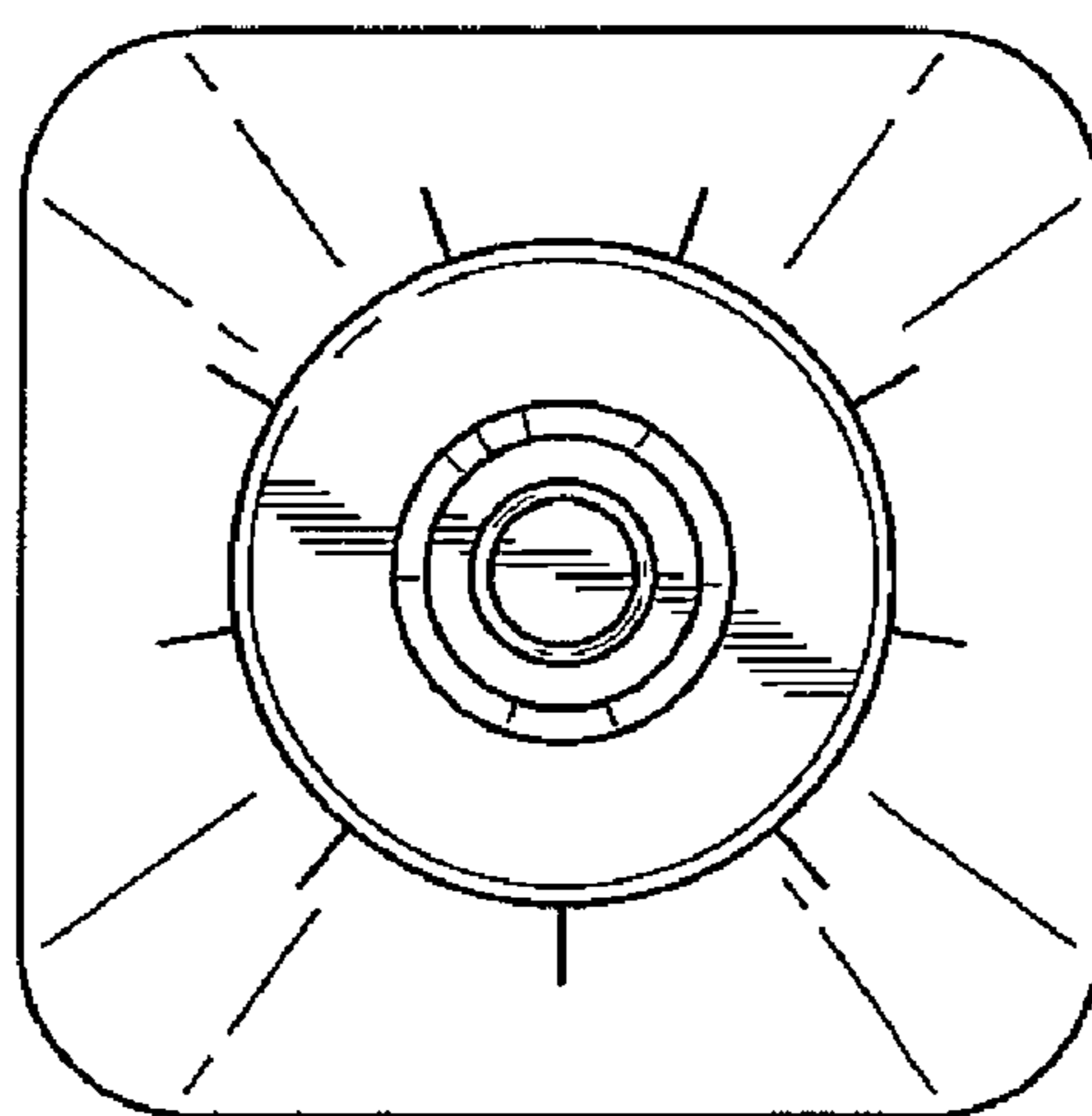


FIG. 14