



US00D676571S

(12) **United States Design Patent**  
**Wilson**

(10) **Patent No.:** **US D676,571 S**

(45) **Date of Patent:** **\*\* Feb. 19, 2013**

(54) **BIOCHIP WELL**

(75) Inventor: **Gareth Wilson**, Waringstown (GB)

(73) Assignee: **Randox Laboratories Ltd.**, County Antrim (GB)

(\*\*) Term: **14 Years**

(21) Appl. No.: **29/398,120**

(22) Filed: **Jul. 26, 2011**

(51) **LOC (9) Cl.** ..... **24-01**

(52) **U.S. Cl.** ..... **D24/224**

(58) **Field of Classification Search** ..... D24/216–217,  
D24/219, 223–226, 227, 229–231, 232, 107,  
D24/121–123; D10/81; 422/547–554, 556,  
422/558, 559, 500

See application file for complete search history.

(56) **References Cited**

**U.S. PATENT DOCUMENTS**

D286,912 S \* 11/1986 Andersen ..... D24/224  
D290,400 S \* 6/1987 Tong ..... D24/224  
D332,835 S \* 1/1993 Antocci et al. .... D24/224  
5,468,638 A \* 11/1995 Barker et al. .... 435/304.1  
D365,153 S \* 12/1995 Robertson, Jr. .... D24/224

D404,831 S \* 1/1999 Yamazaki et al. .... D24/224  
D655,016 S \* 2/2012 Laudo et al. .... D24/224  
2010/0028203 A1\* 2/2010 Frey et al. .... 422/65

\* cited by examiner

*Primary Examiner* — Anhdao Doan

(74) *Attorney, Agent, or Firm* — Oliff & Berridge, PLC

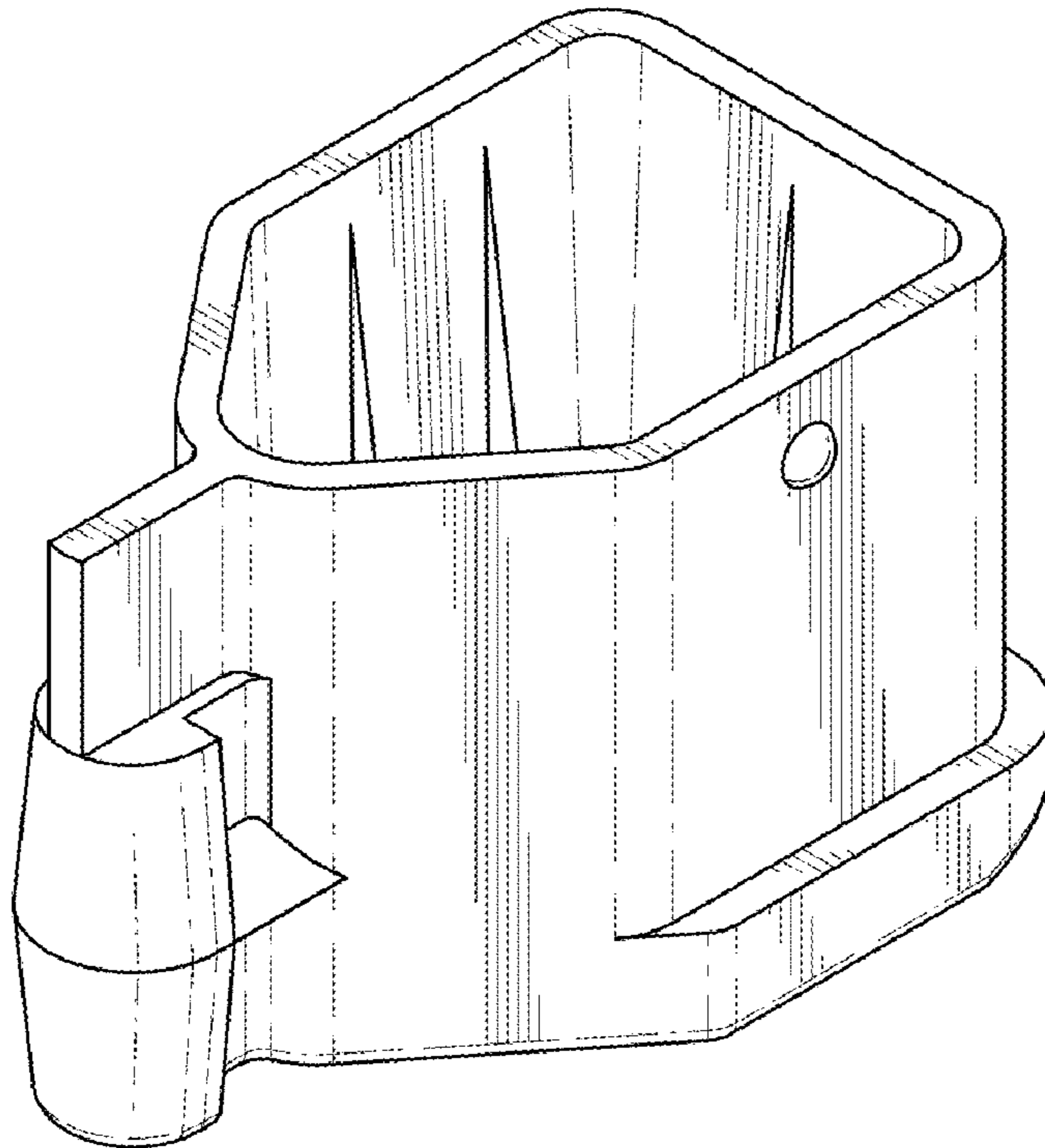
(57) **CLAIM**

The ornamental design for a biochip well, as shown and described.

**DESCRIPTION**

FIG. 1 is a top perspective view of the biochip well;  
FIG. 2 is an underneath perspective view of the biochip well;  
FIG. 3 is a further top perspective view of the biochip well  
FIG. 4 is a front view of the biochip well;  
FIG. 5 is a rear view of the biochip well;  
FIG. 6 is a left view of the biochip well;  
FIG. 7 is a right view of the biochip well;  
FIG. 8 is a plan view of the biochip well;  
FIG. 9 is an underneath view of the biochip well;  
FIG. 10 is a cross-sectional view of the biochip well along the  
line 10-10 shown in FIG. 8; and,  
FIG. 11 is a cross-sectional view of the biochip well along the  
line 11-11 shown in FIG. 8.

**1 Claim, 5 Drawing Sheets**



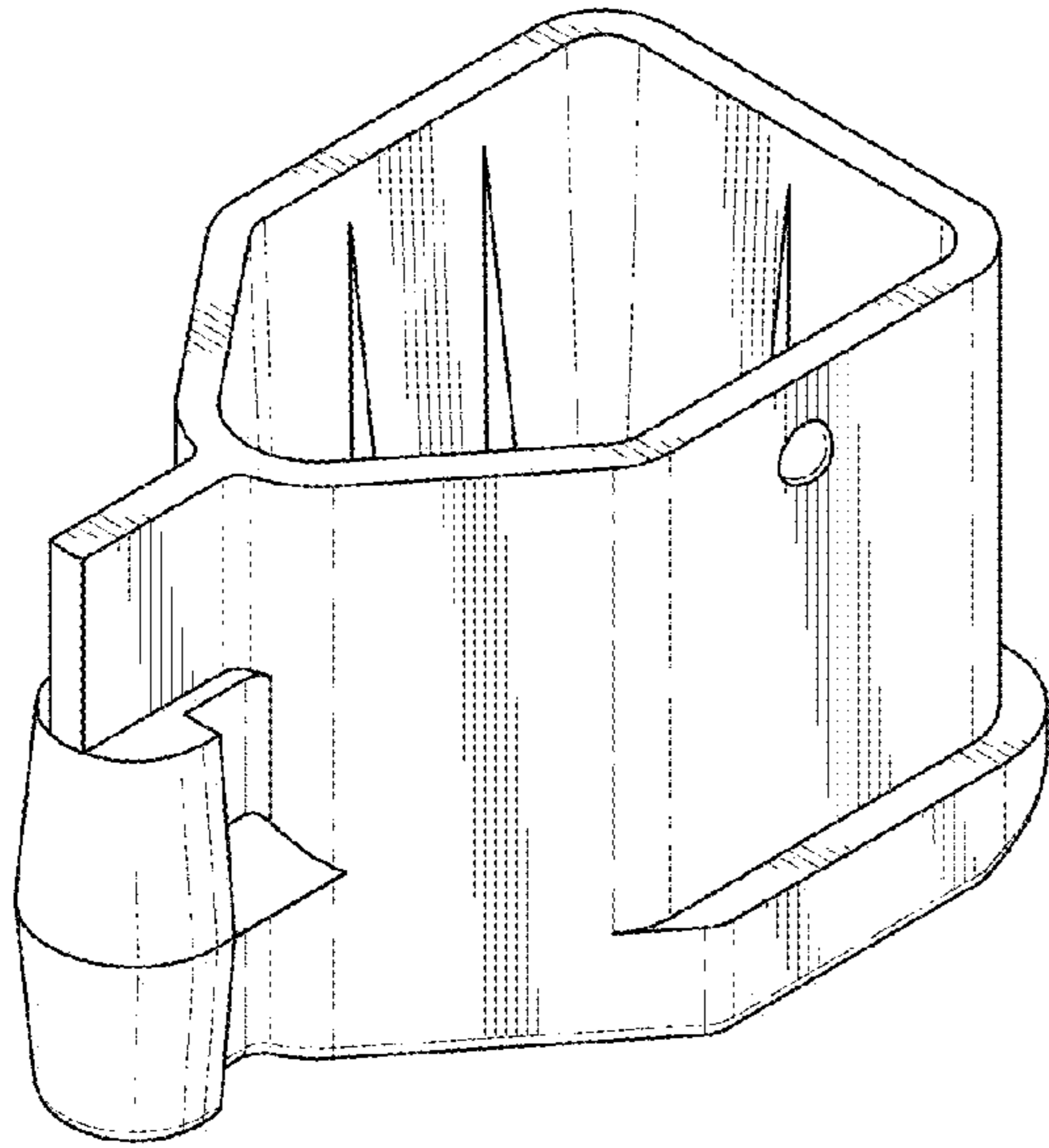


FIG. 1

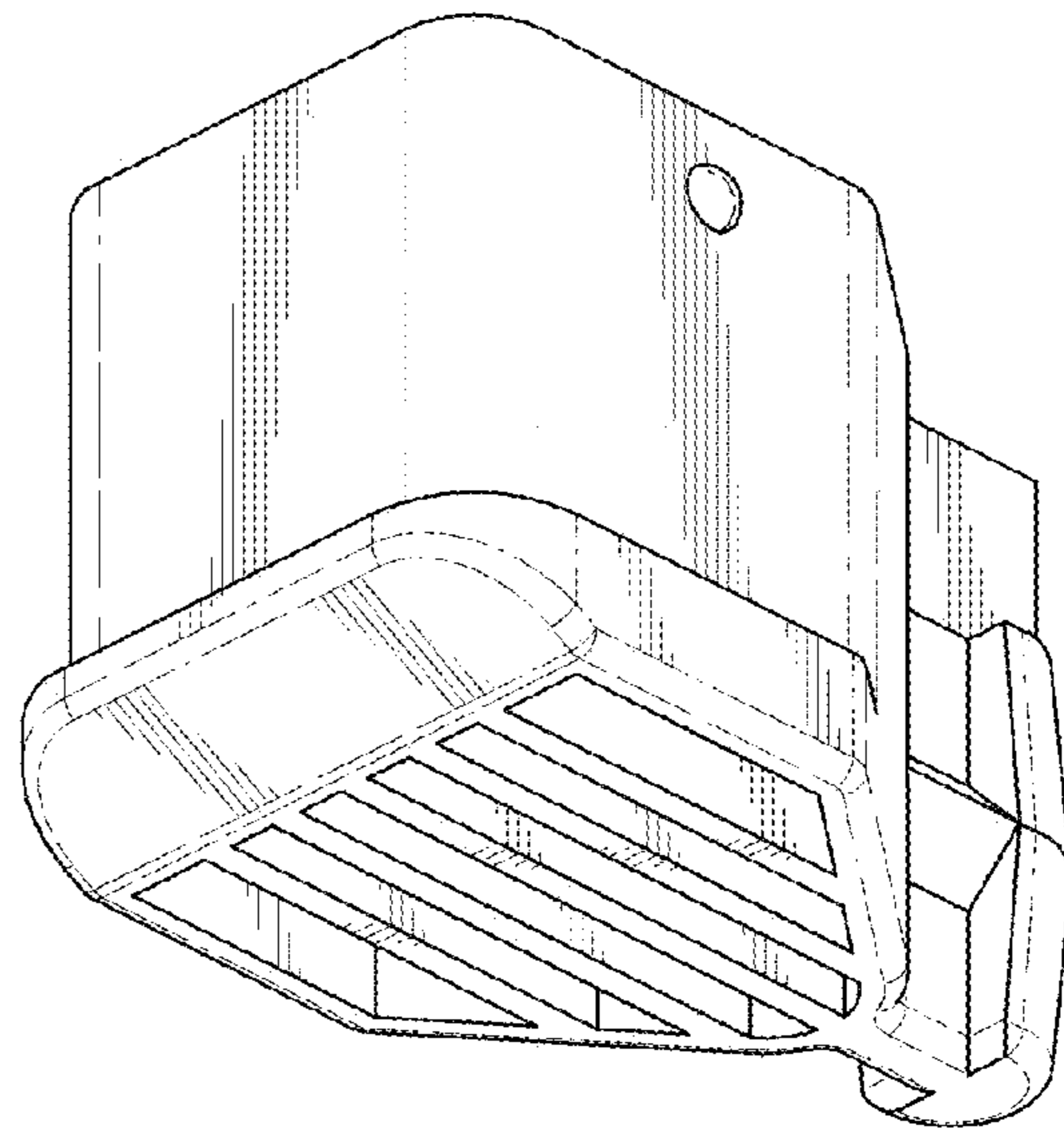


FIG. 2

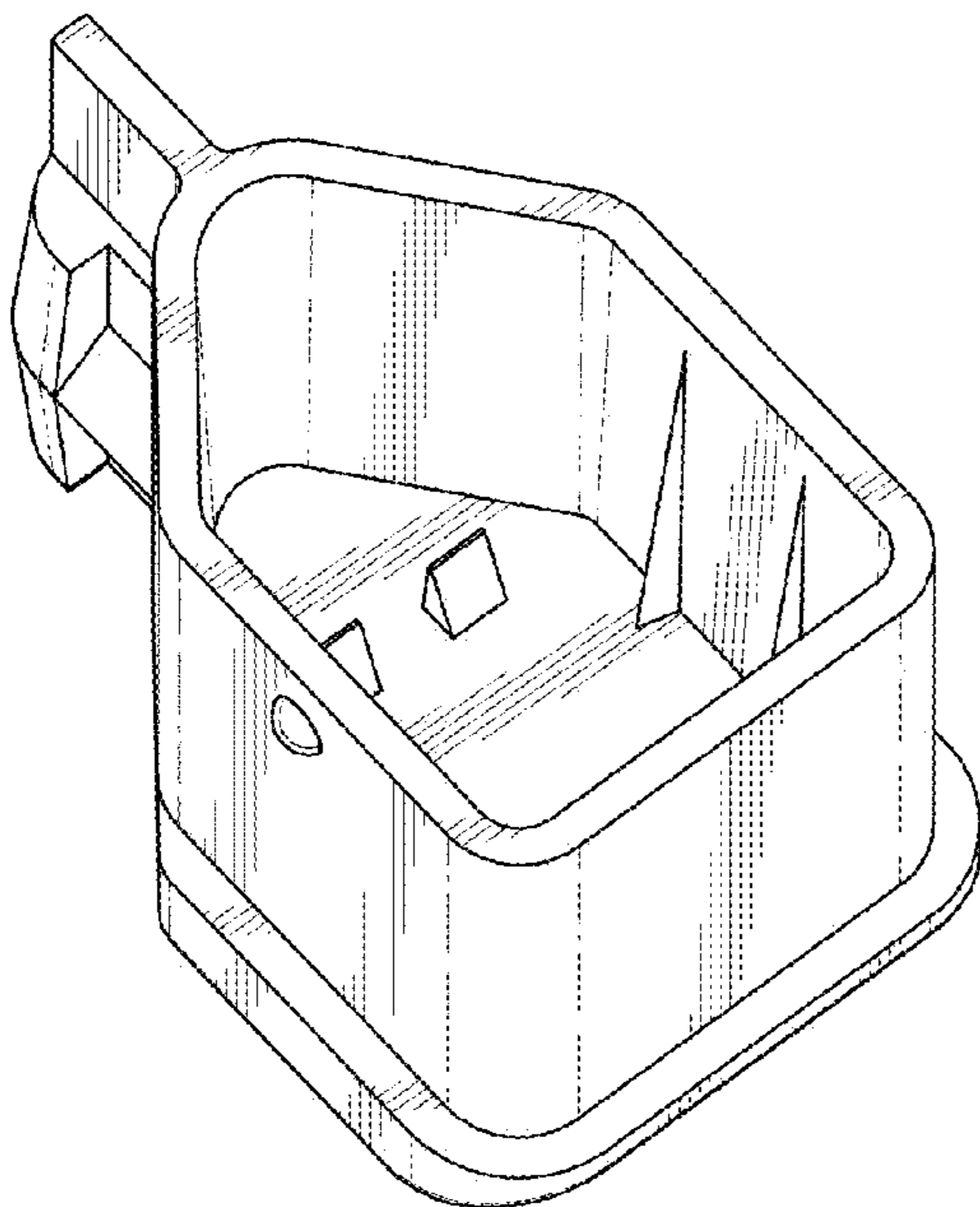
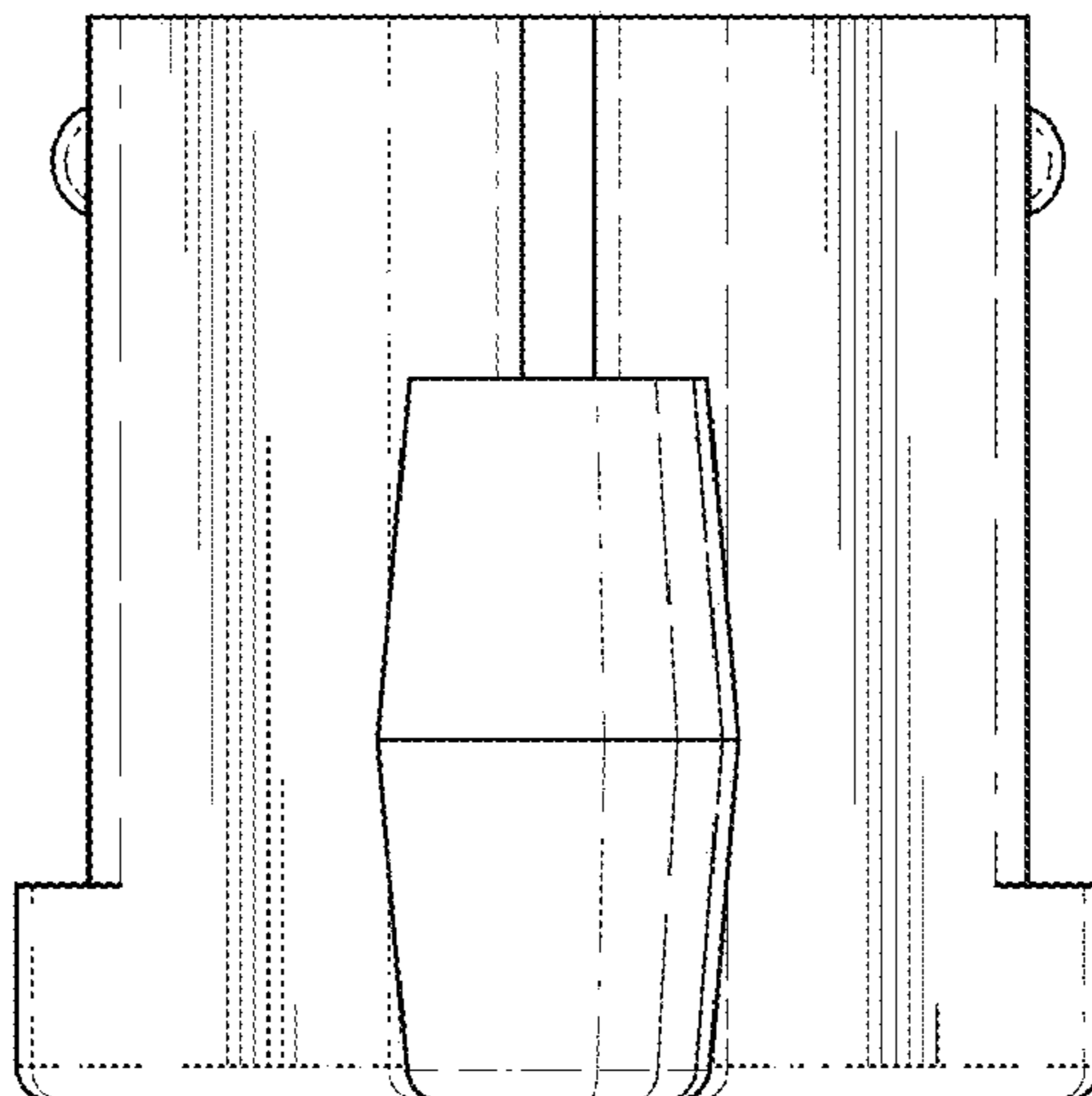
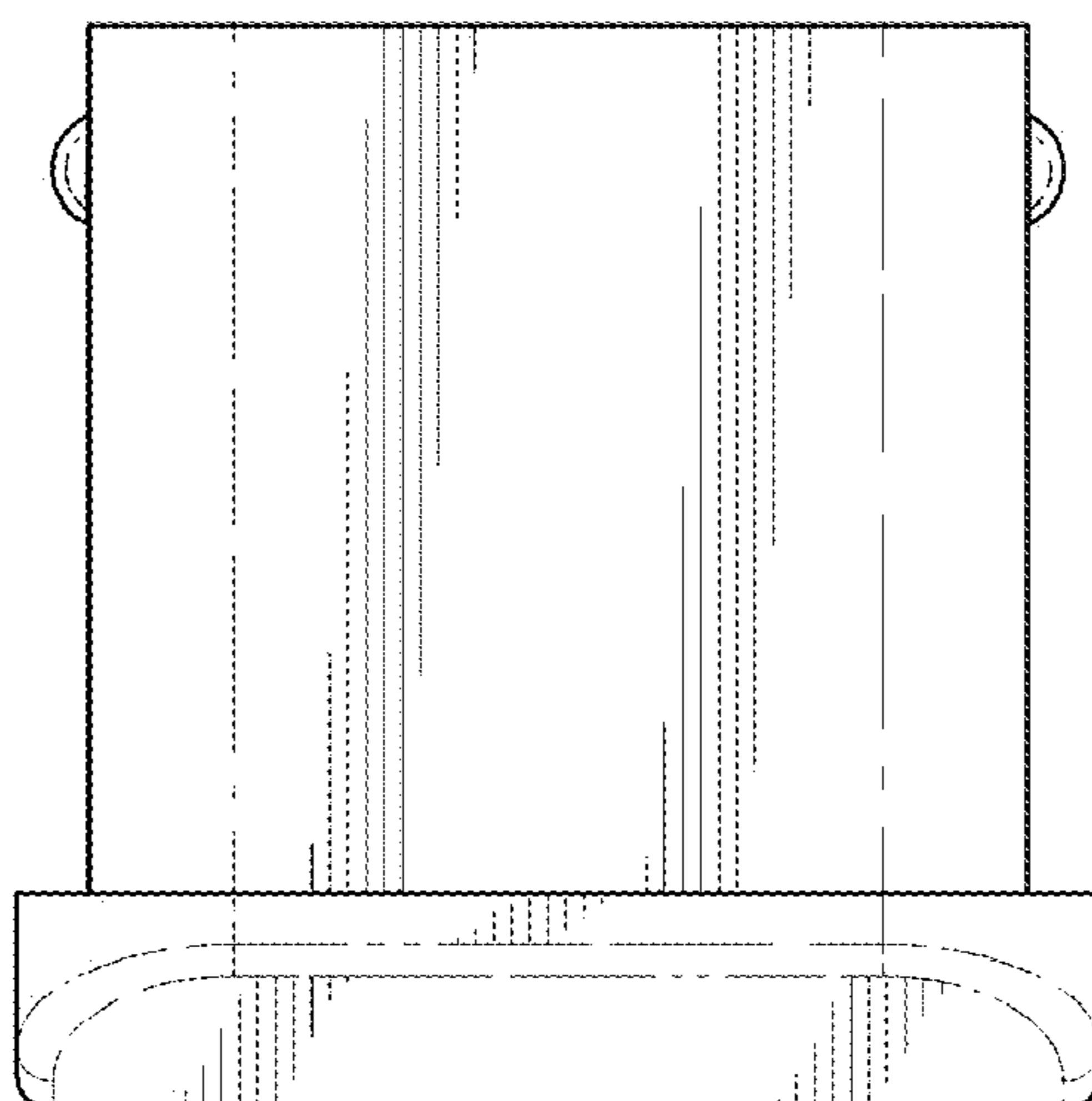


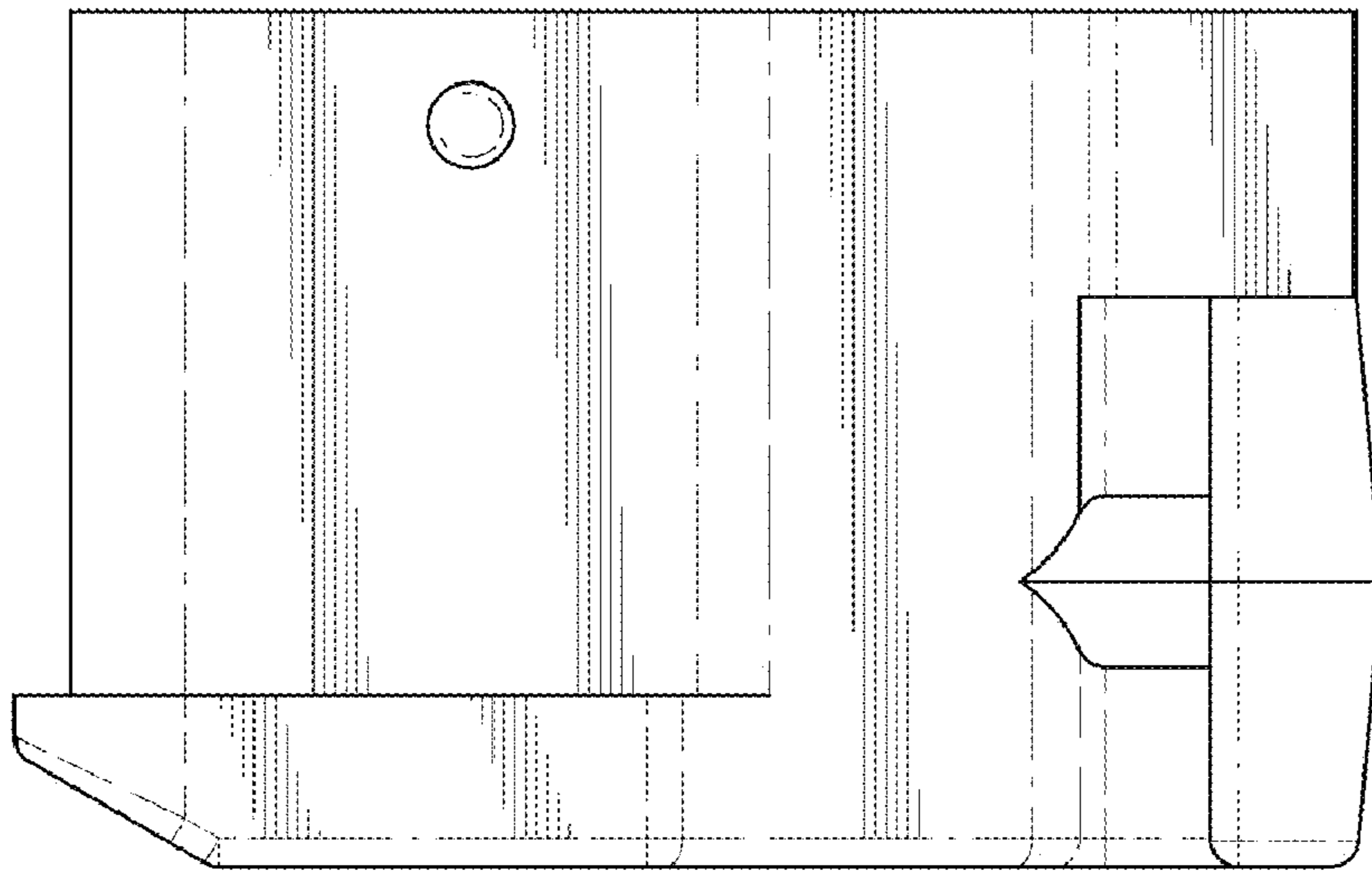
FIG. 3



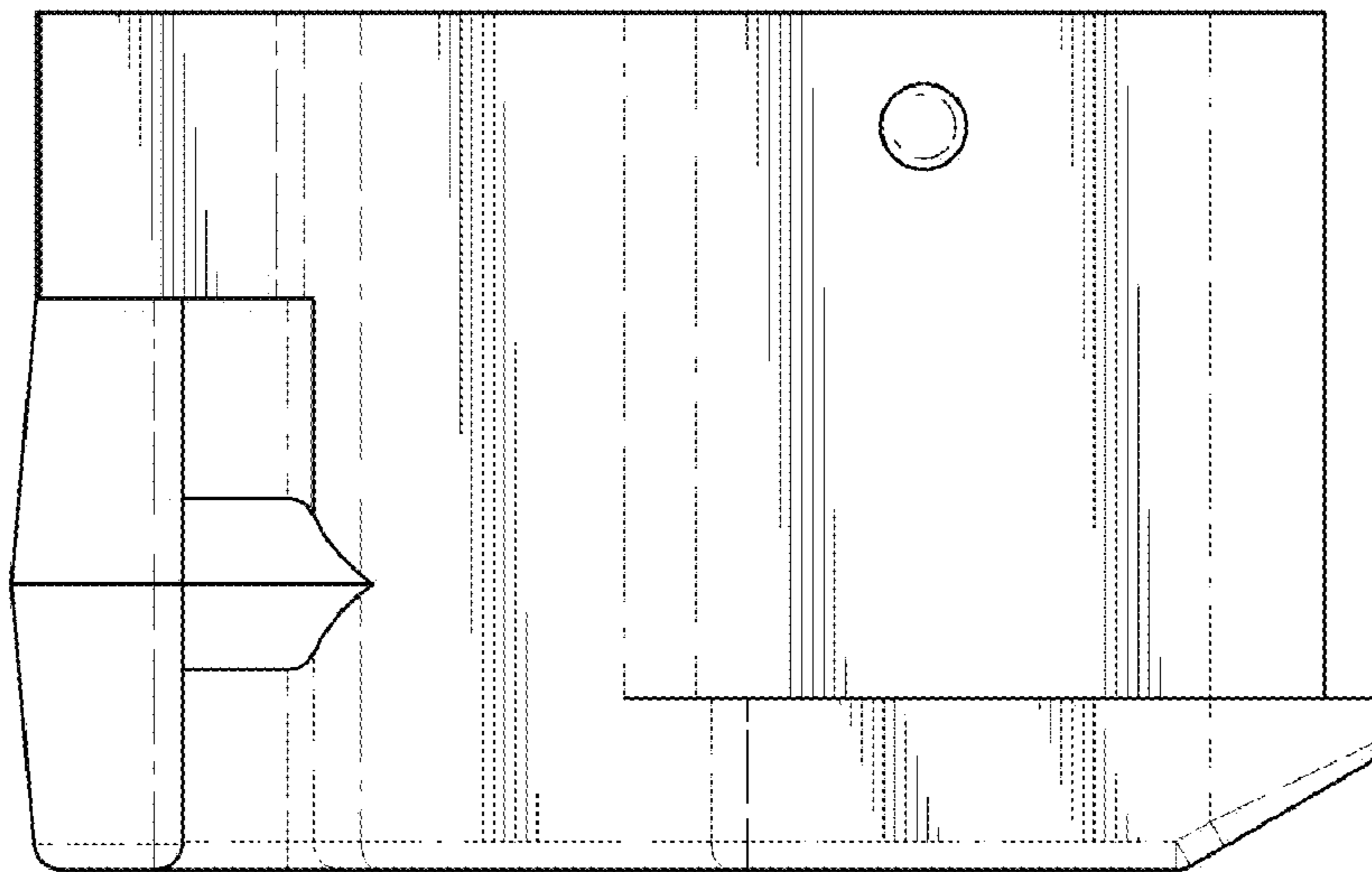
*FIG. 4*



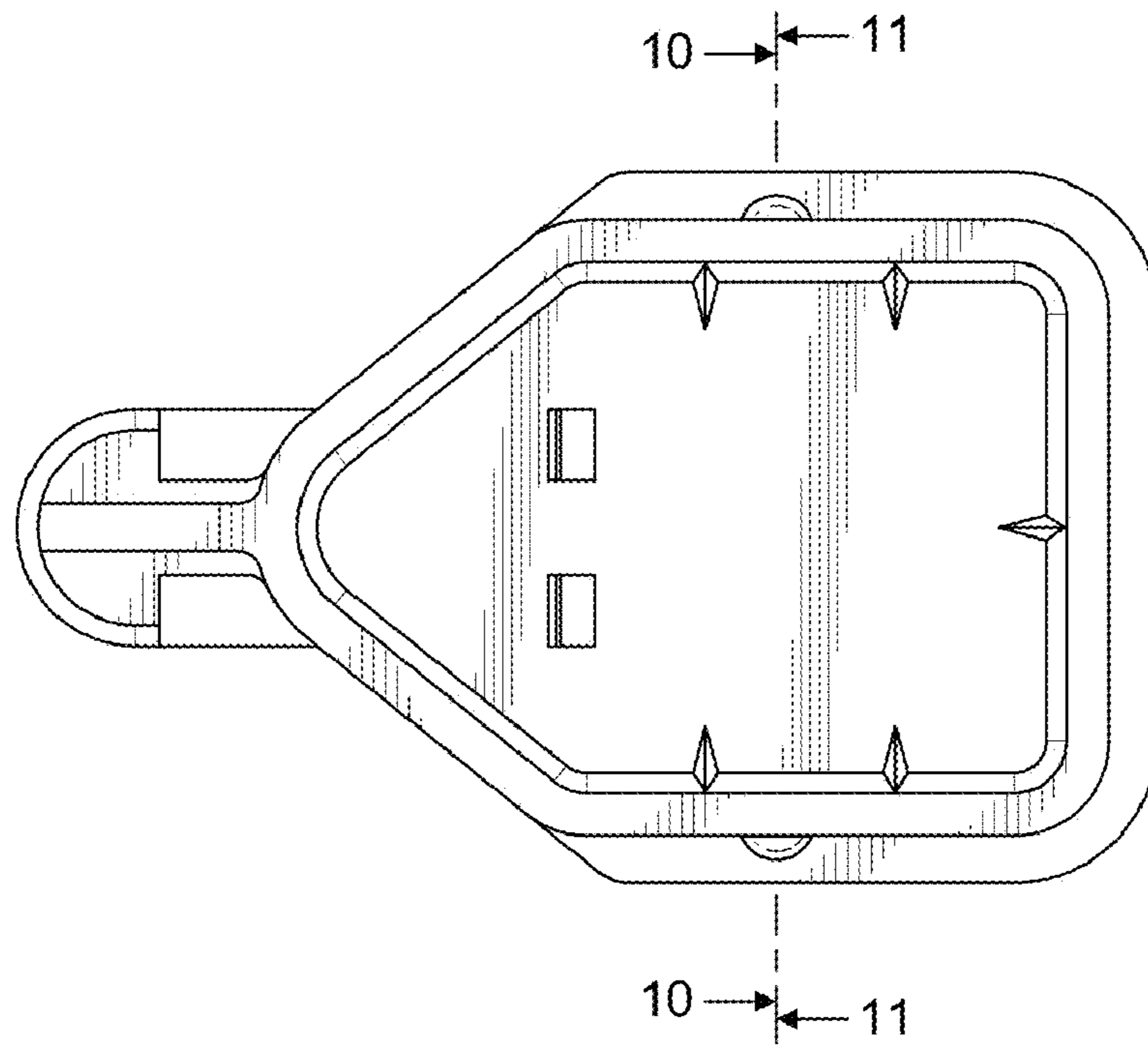
*FIG. 5*



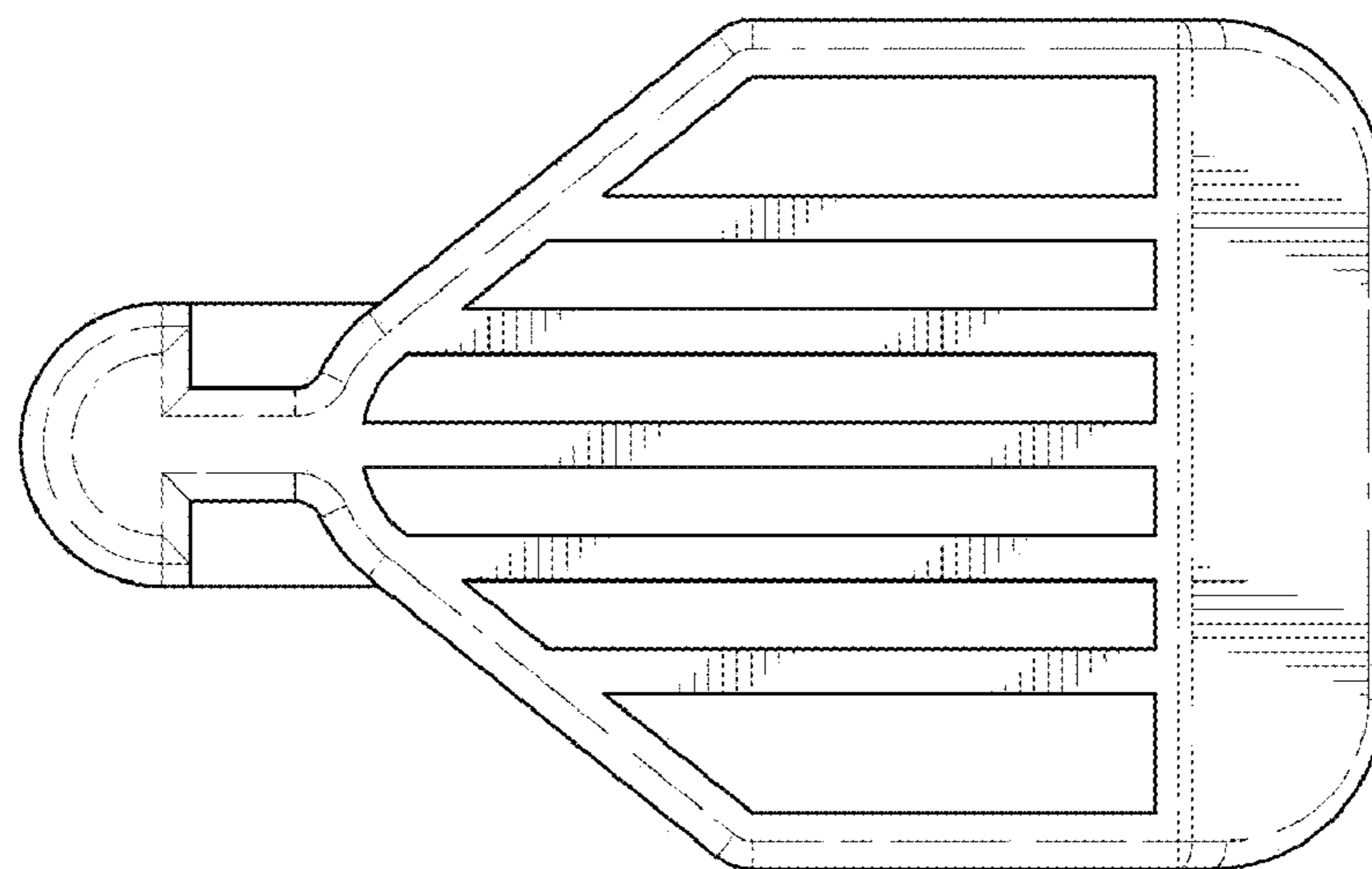
**FIG. 6**



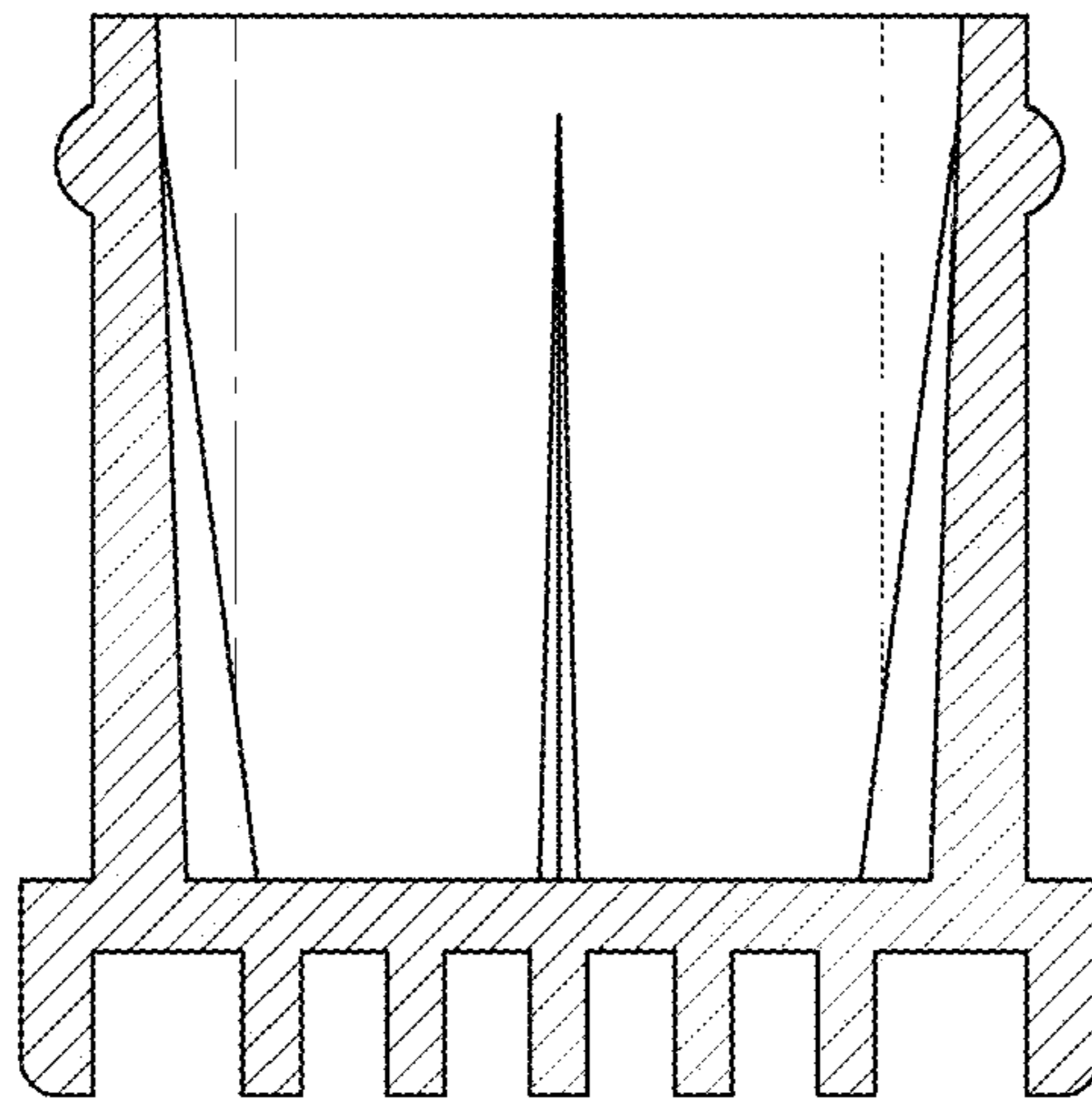
**FIG. 7**



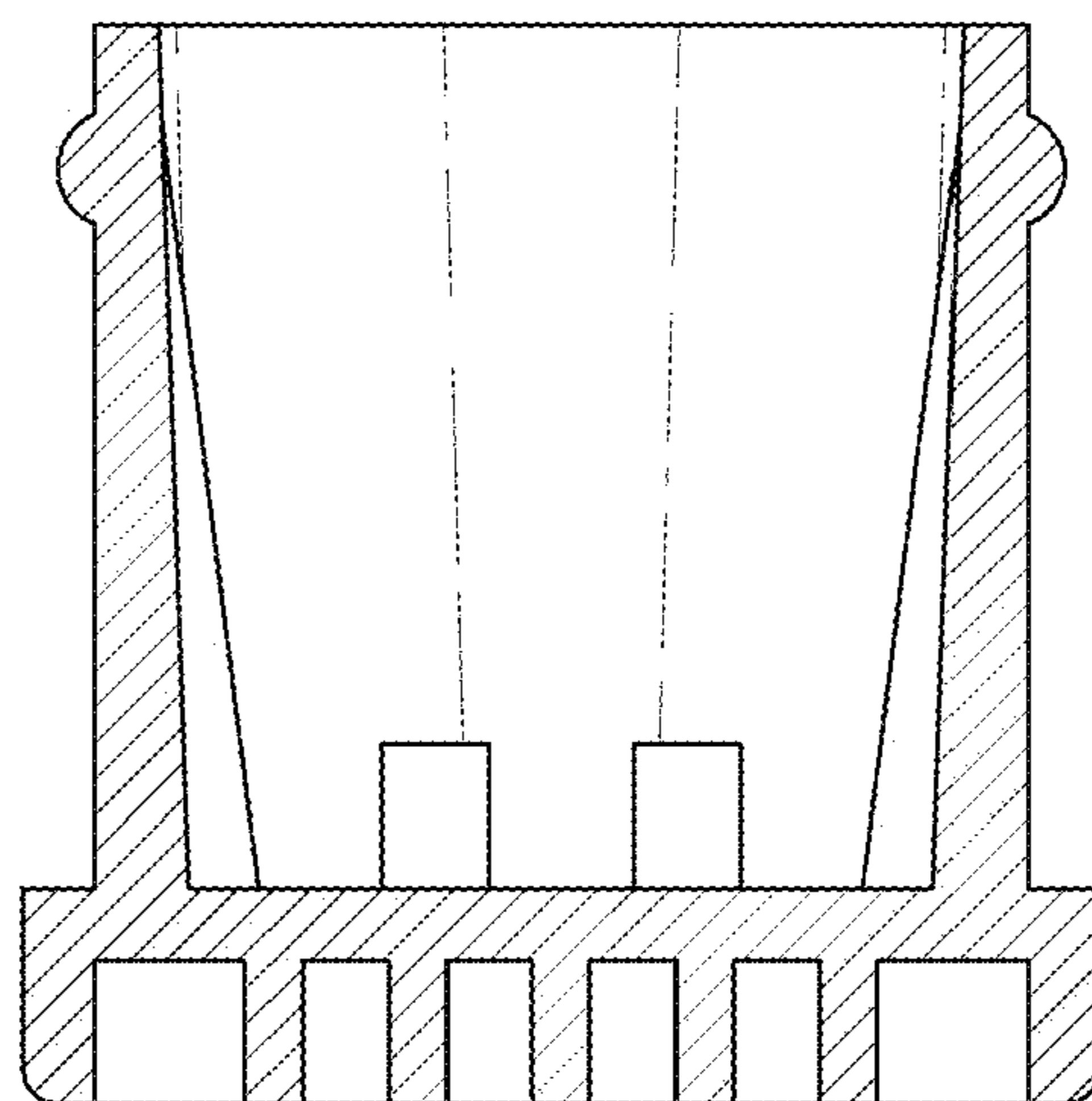
**FIG. 8**



**FIG. 9**



*FIG. 10*



*FIG. 11*