



US00D676567S

(12) **United States Design Patent**
van den Engh

(10) **Patent No.:** **US D676,567 S**

(45) **Date of Patent:** **** Feb. 19, 2013**

(54) **SORT CHAMBER**

(75) **Inventor:** **Gerrit J. van den Engh**, Seattle, WA
(US)

(73) **Assignee:** **Becton, Dickinson & Company**,
Franklin Lakes, NJ (US)

(**) **Term:** **14 Years**

(21) **Appl. No.:** **29/404,582**

(22) **Filed:** **Oct. 21, 2011**

(51) **LOC (9) Cl.** **24-02**

(52) **U.S. Cl.** **D24/216**

(58) **Field of Classification Search** D24/108,
D24/117, 121, 162, 164, 169, 216, 224, 227-232;
D10/81, 103; 141/7, 10, 51, 59, 65, 114;
422/99-104, 535; 604/119, 319, 408; 220/565,
220/20.83, 23.87; 210/321.75, 321.84, 406
See application file for complete search history.

(56) **References Cited**

U.S. PATENT DOCUMENTS

3,111,074	A *	11/1963	Kennard, Jr. et al.	220/23.87
3,242,845	A *	3/1966	Thomas	220/23.83
4,060,107	A *	11/1977	Naftulin	141/7
D254,324	S *	2/1980	Thead, Jr.	D24/164
D263,504	S *	3/1982	Fowles et al.	D24/121
D266,190	S *	9/1982	Herman	D24/121
4,516,973	A *	5/1985	Telang	604/319
D282,282	S *	1/1986	Chernack	D24/117
D289,861	S *	5/1987	Wachob et al.	D10/81
4,943,288	A *	7/1990	Kurtz et al.	604/408

D322,124	S *	12/1991	Lichte et al.	D24/169
5,073,172	A *	12/1991	Fell	604/119
5,141,639	A *	8/1992	Kraus et al.	210/321.75
D333,870	S *	3/1993	Wells	D24/169
D343,682	S *	1/1994	Cattaoris et al.	D24/162
D360,034	S *	7/1995	Wells	D24/169
D556,895	S *	12/2007	Thom et al.	D24/108
D566,832	S *	4/2008	Thom et al.	D24/108

* cited by examiner

Primary Examiner — T. Chase Nelson

Assistant Examiner — Mark Cavanna

(74) *Attorney, Agent, or Firm* — Bozicevic, Field & Francis
LLP; Bret E. Field; Edward J. Baba

(57) **CLAIM**

The ornamental design for a sort chamber, as shown and described.

DESCRIPTION

FIG. 1 is a first perspective view of a sort chamber having a transparent enclosure, showing the new design,

FIG. 2 is a second perspective view of the sort chamber of FIG. 1,

FIG. 3 is a front view of the sort chamber of FIG. 1,

FIG. 4 is a side view of the sort chamber of FIG. 1,

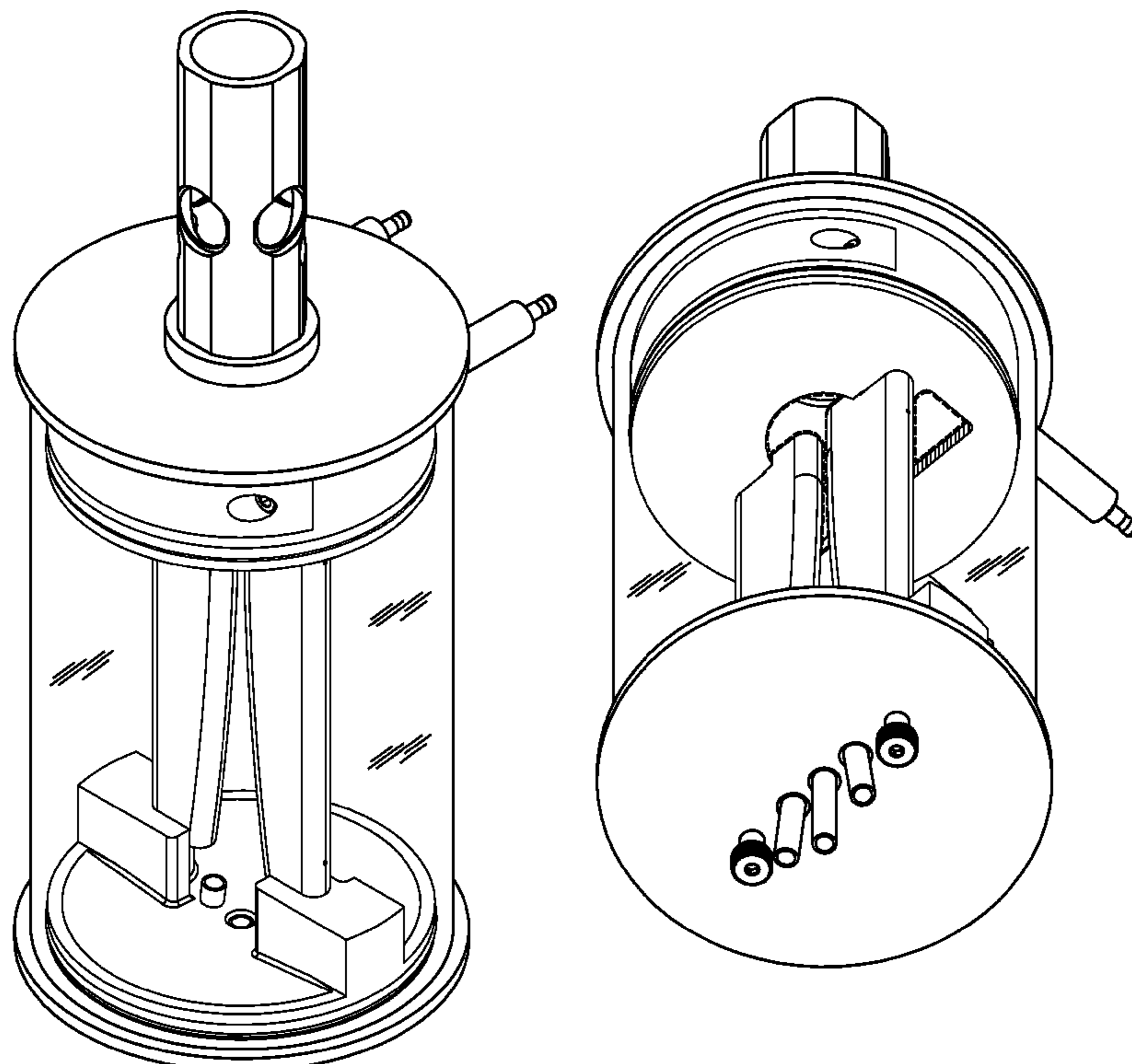
FIG. 5 is a rear view of the sort chamber of FIG. 1,

FIG. 6 is a top view of sort chamber of FIG. 1; and,

FIG. 7 is a bottom view of sort chamber of FIG. 1.

The broken lines are included for the purpose of illustrating portions of the sort chamber that form no part of the claimed design.

1 Claim, 7 Drawing Sheets



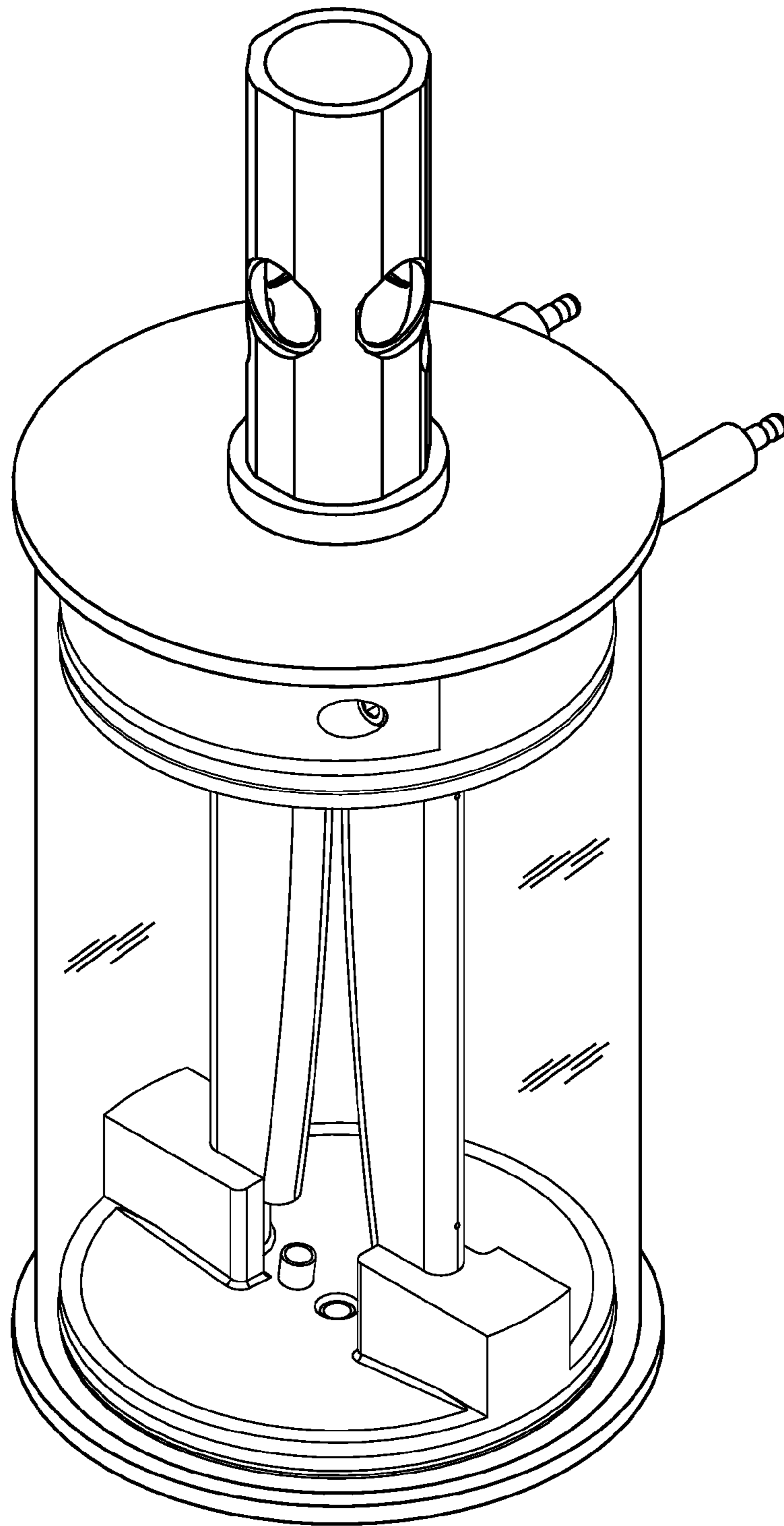


FIG. 1

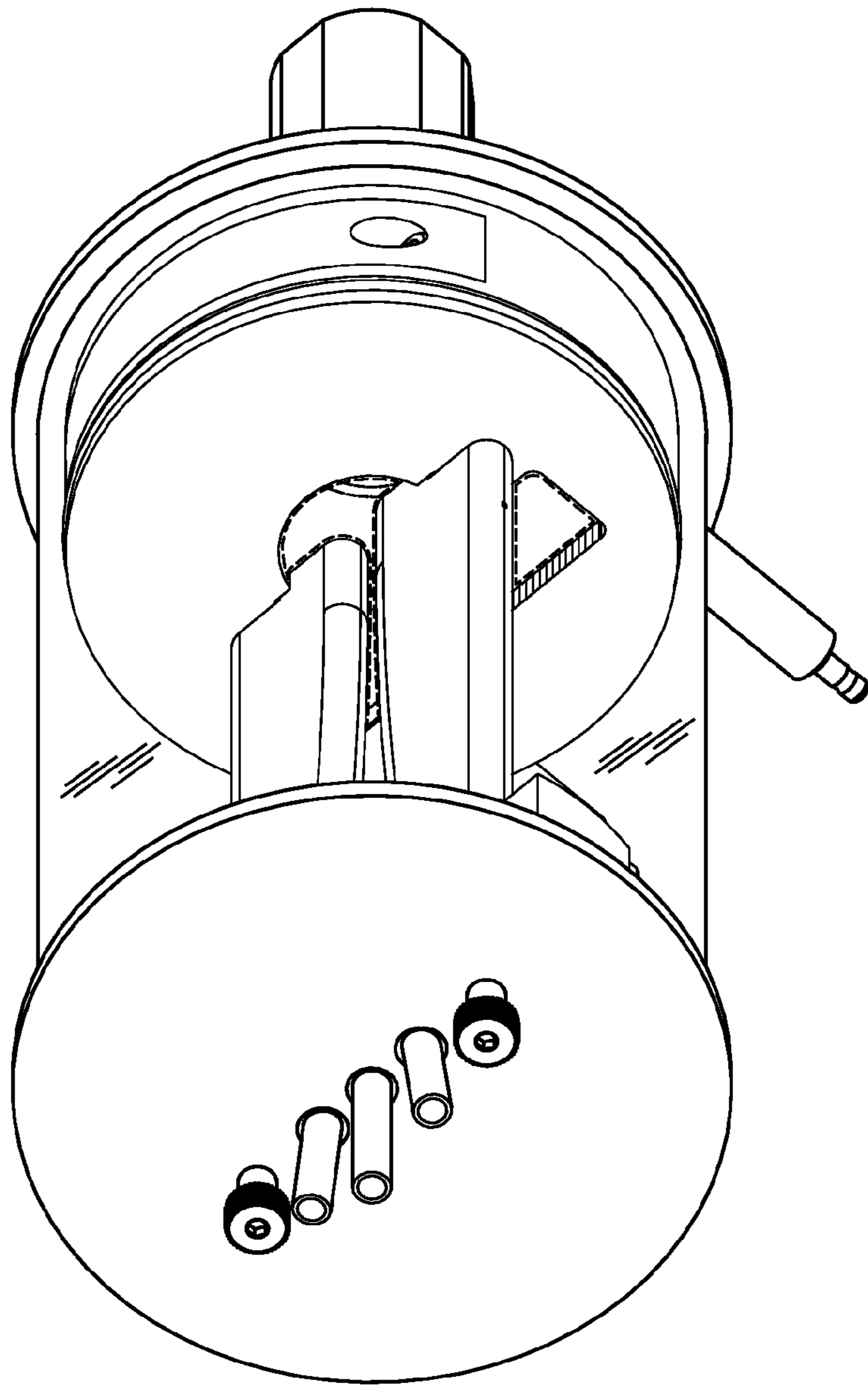


FIG. 2

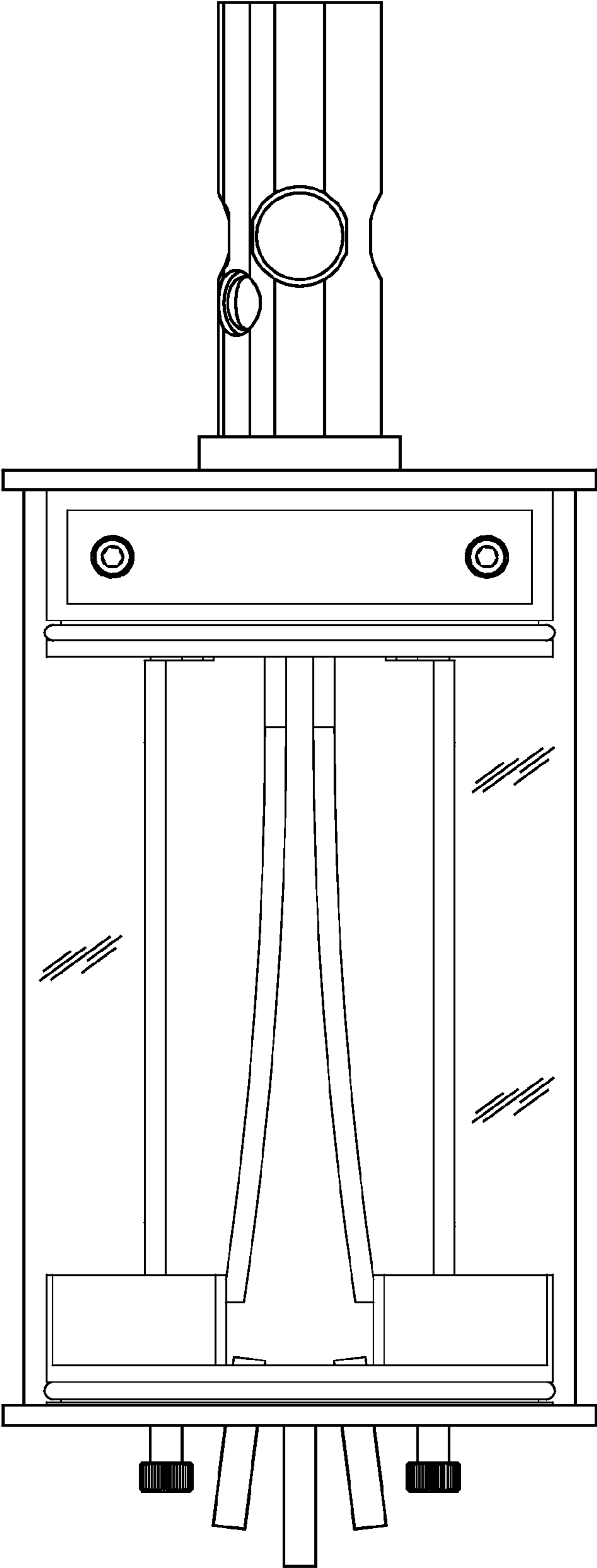


FIG. 3

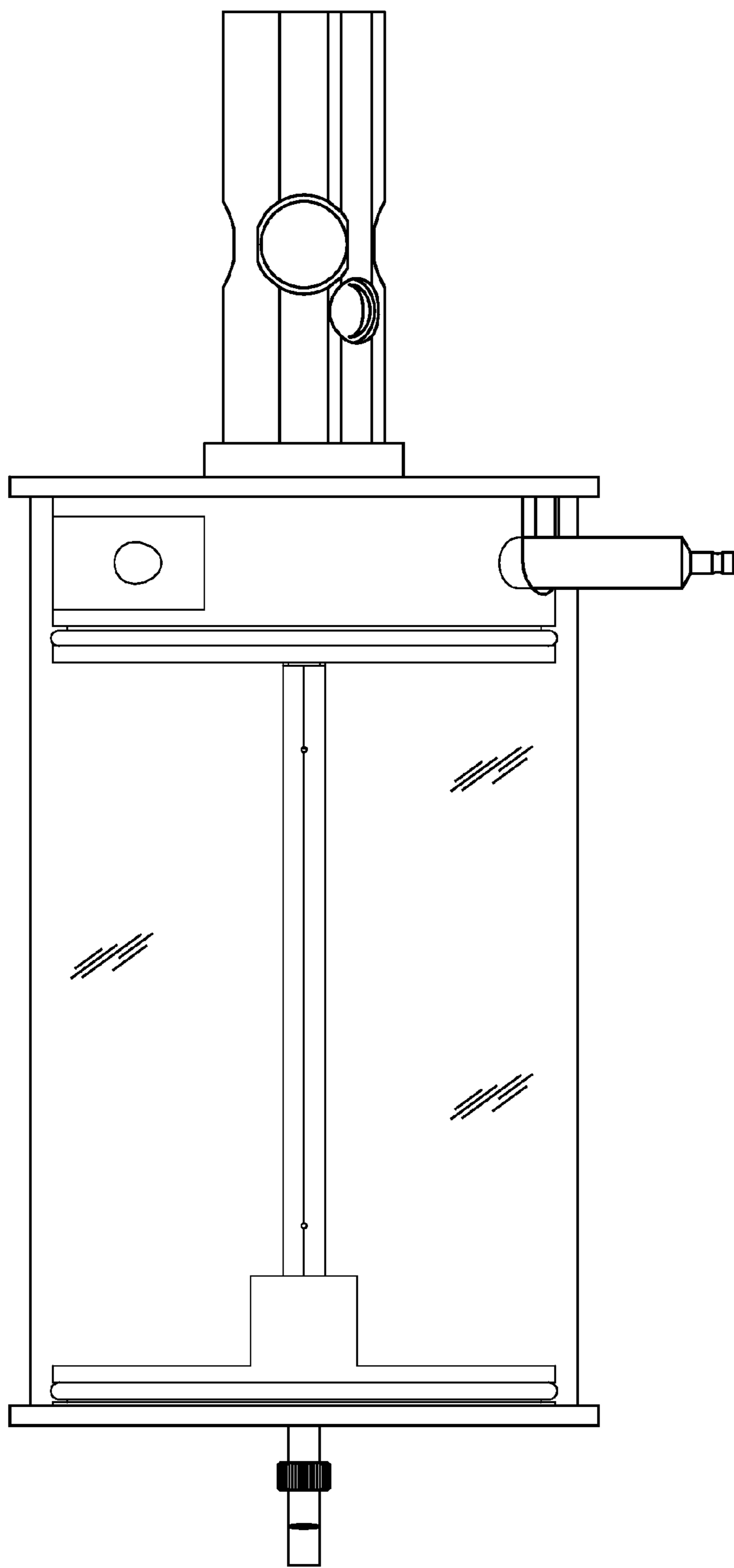


FIG. 4

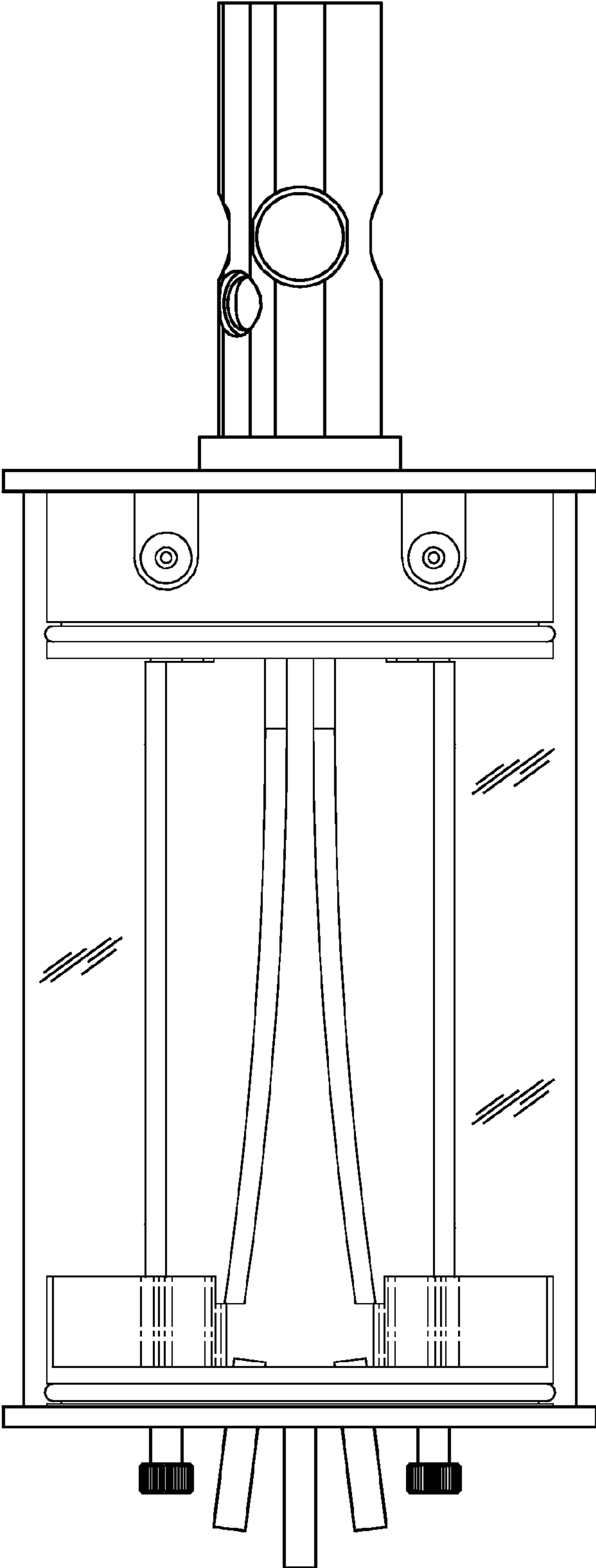


FIG. 5

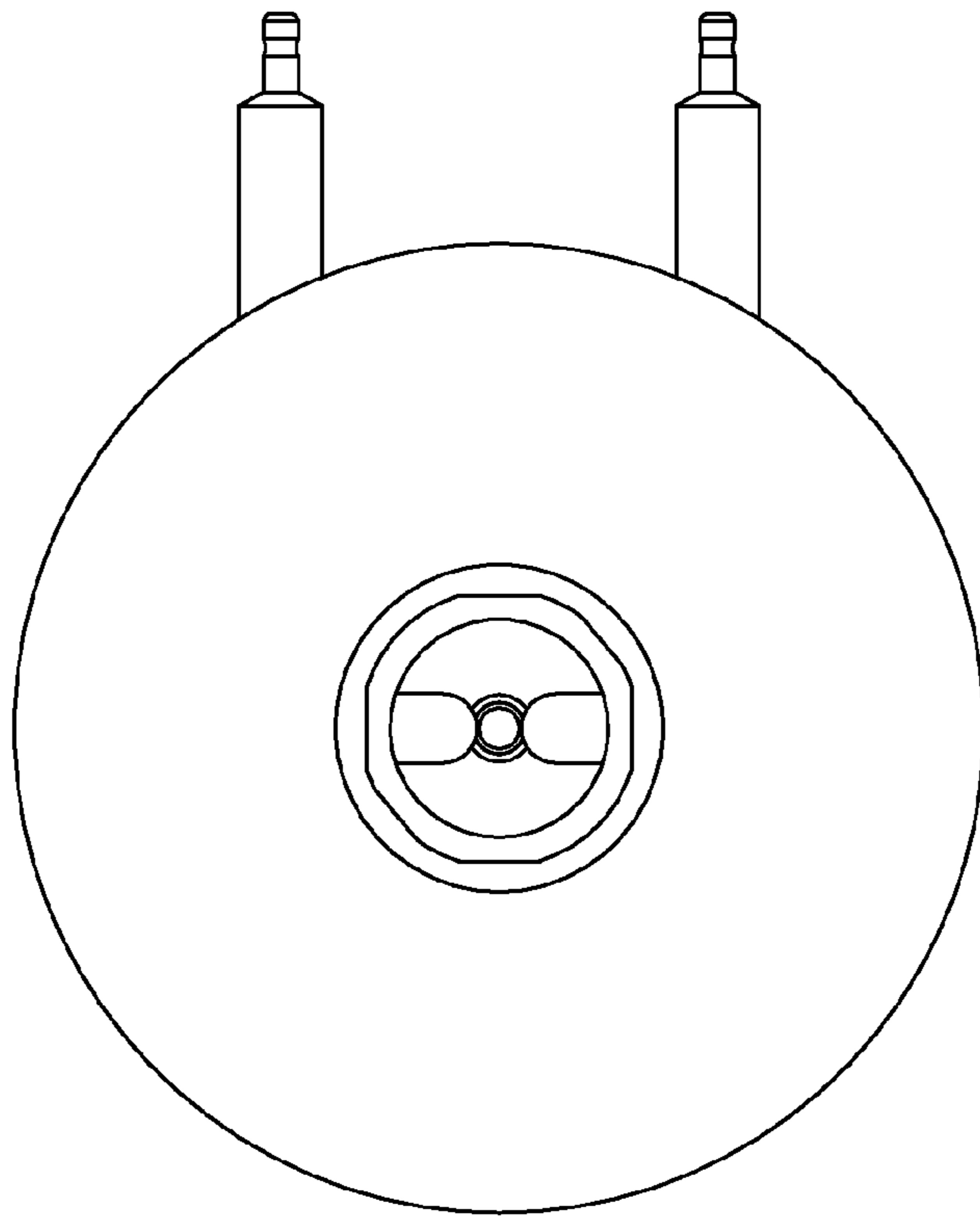


FIG. 6

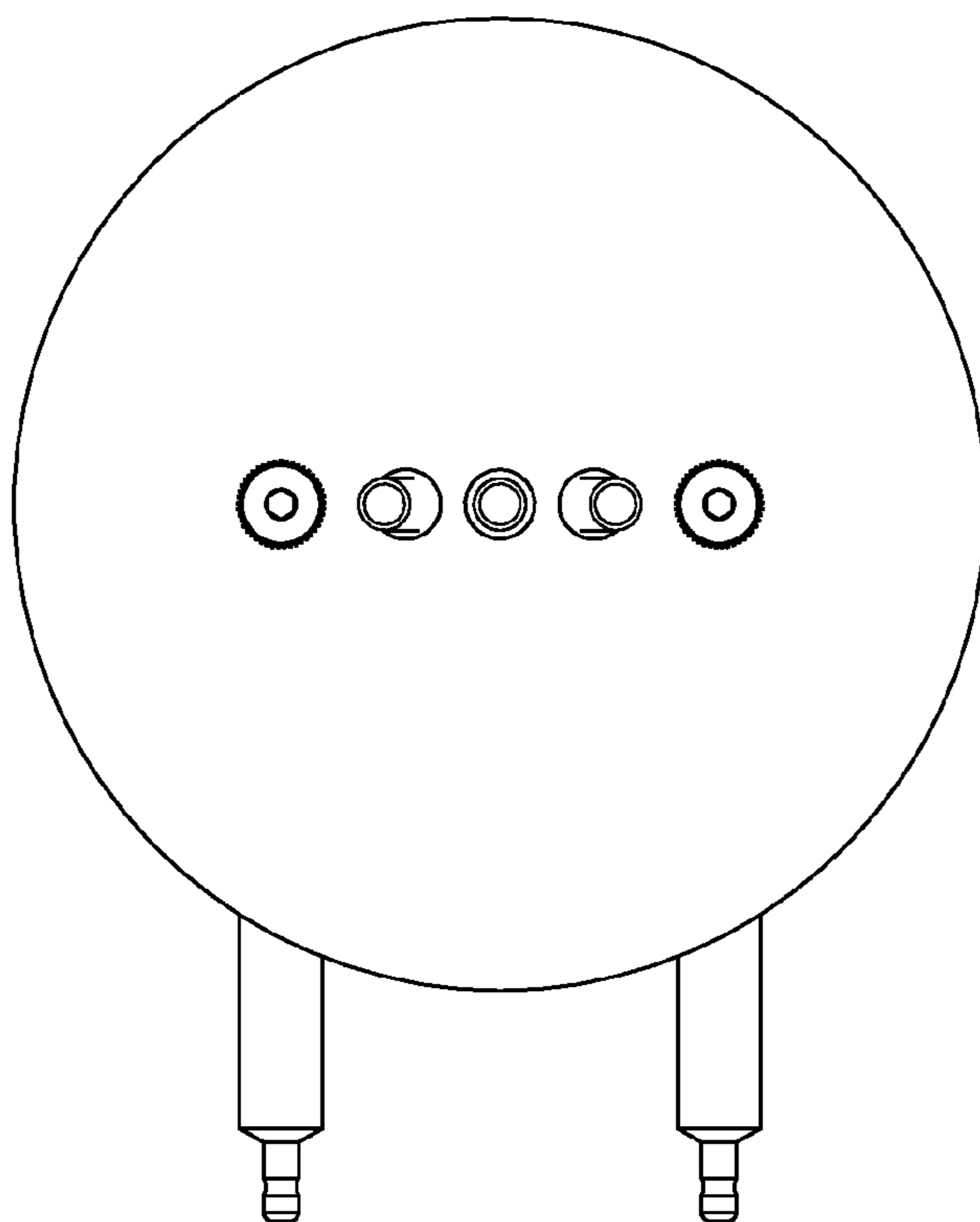


FIG. 7