



US00D676555S

(12) **United States Design Patent**  
**Angelides**

(10) **Patent No.:** **US D676,555 S**

(45) **Date of Patent:** **\*\* Feb. 19, 2013**

(54) **GLUCOMETER**

(75) Inventor: **Kimon Angelides**, Houston, TX (US)

(73) Assignee: **EosHealth, Inc.**, Houston, TX (US)

(\*\*) Term: **14 Years**

(21) Appl. No.: **29/407,854**

(22) Filed: **Dec. 2, 2011**

(51) **LOC (9) Cl.** ..... **24-01**

(52) **U.S. Cl.** ..... **D24/169**

(58) **Field of Classification Search** ..... D24/165-169,  
D24/107, 186, 216, 223, 231, 232; D10/46,  
D10/81; D14/341; 422/56, 58, 68.1; 600/316,  
600/322, 347, 365, 368

See application file for complete search history.

(56) **References Cited**

U.S. PATENT DOCUMENTS

D545,438 S \* 6/2007 Huang et al. .... D24/186  
D546,454 S \* 7/2007 Gutmann et al. .... D24/169

D585,135 S \* 1/2009 Mori et al. .... D24/169  
D622,394 S \* 8/2010 Bielawa et al. .... D24/169  
D648,437 S \* 11/2011 Presta et al. .... D24/169  
D669,991 S \* 10/2012 Presta et al. .... D24/169

\* cited by examiner

*Primary Examiner* — Anhdao Doan

(74) *Attorney, Agent, or Firm* — Eric P. Mirabel

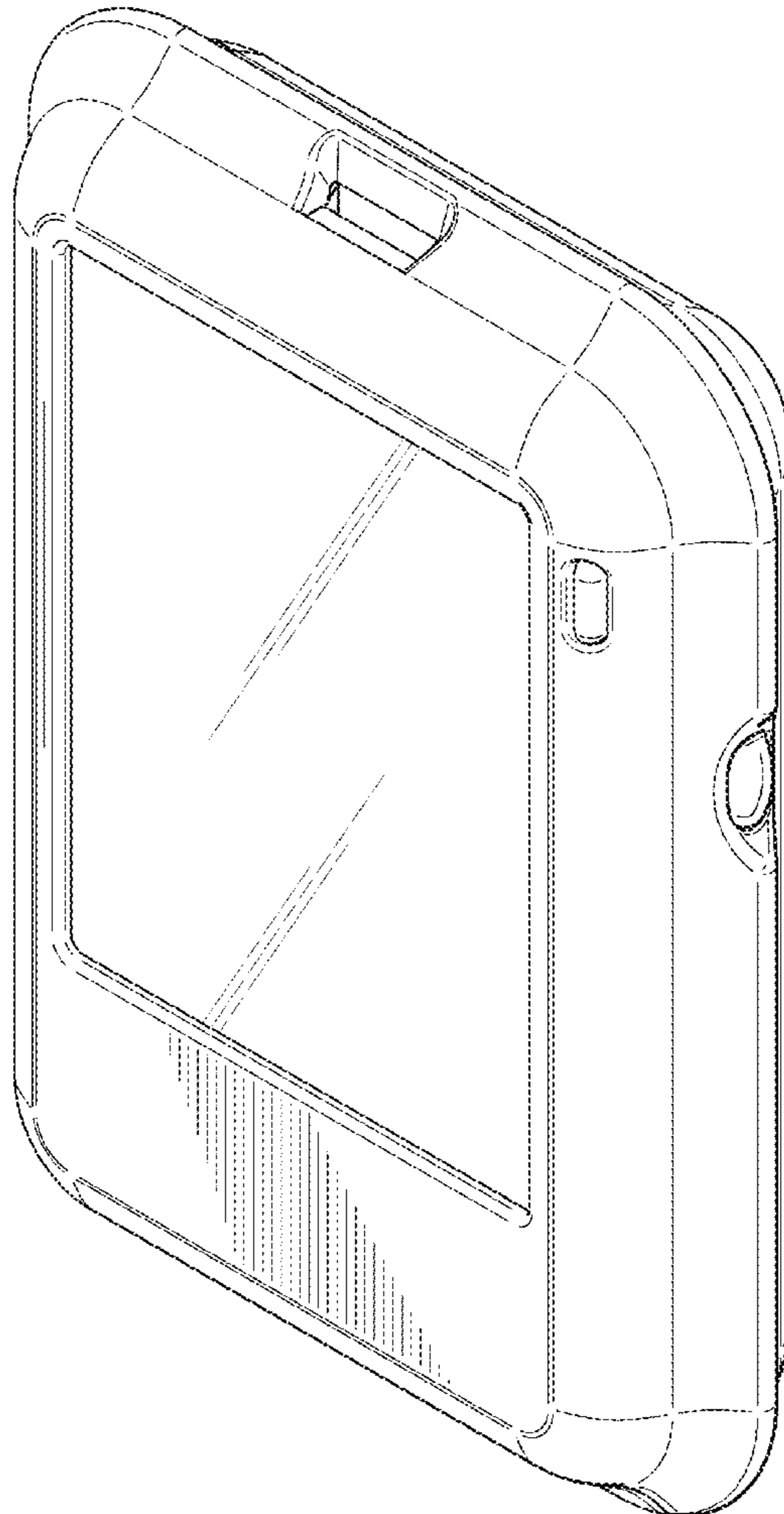
(57) **CLAIM**

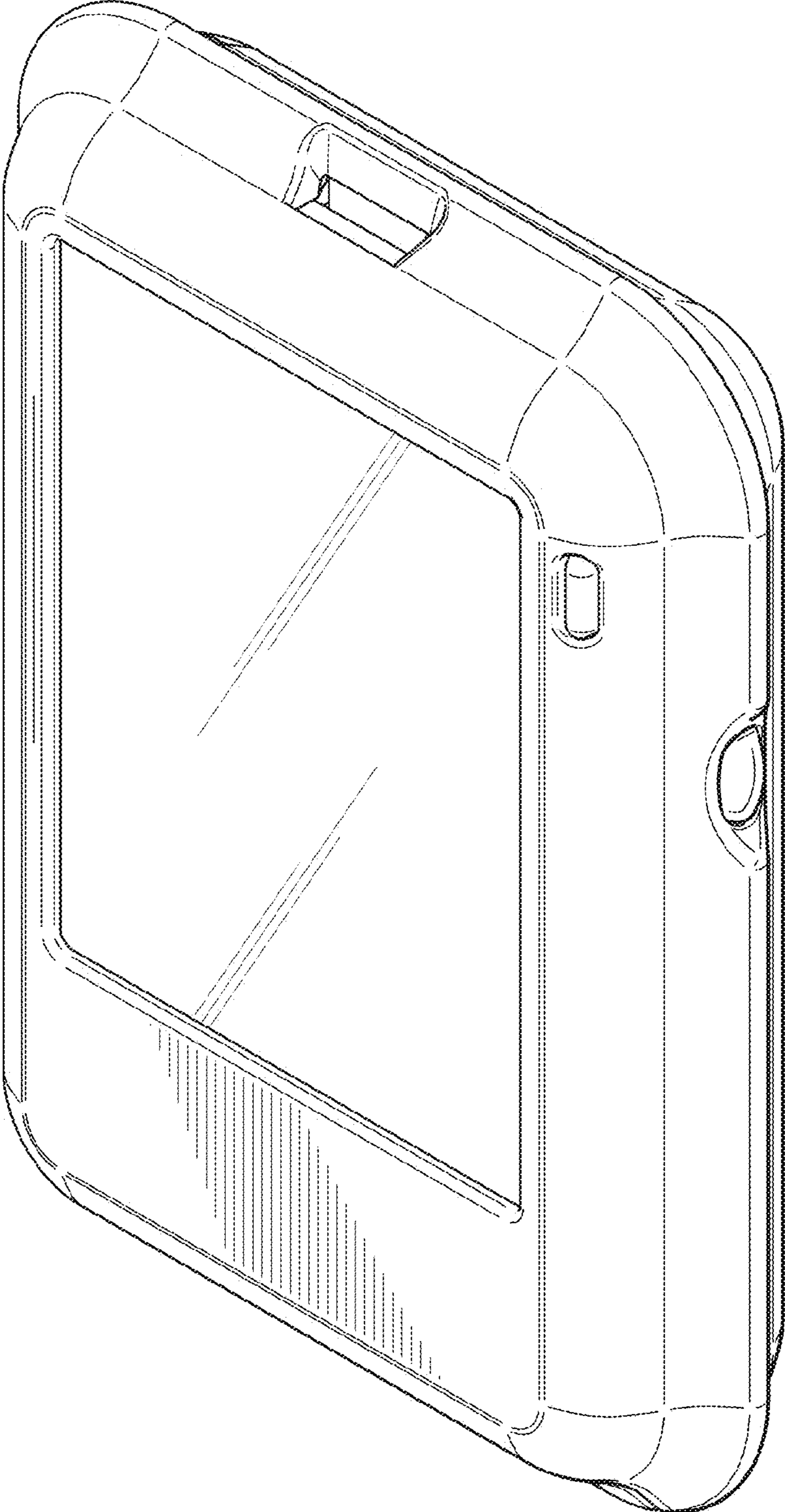
The ornamental design for a glucometer, as shown and described.

**DESCRIPTION**

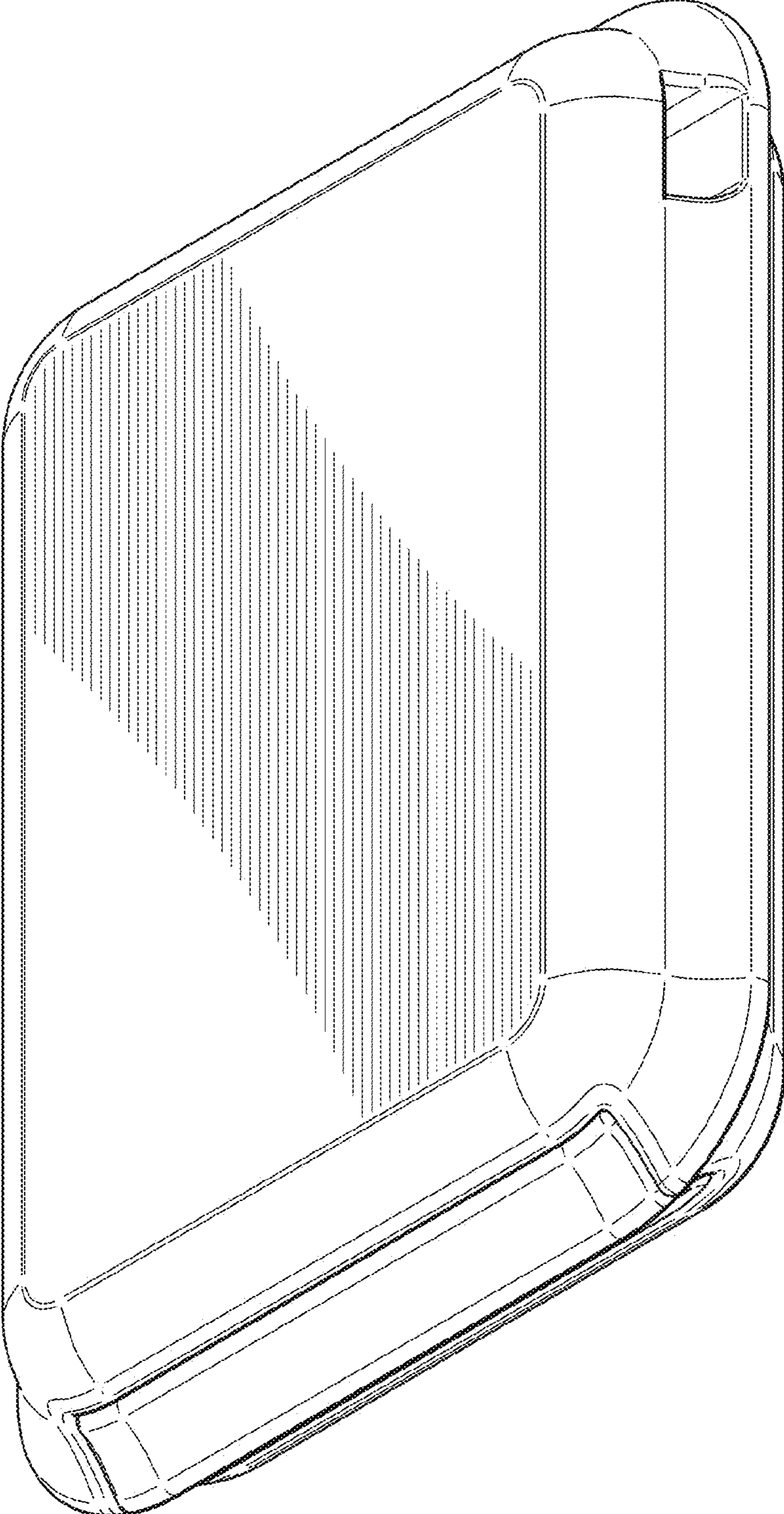
FIG. 1 is a front perspective view of a glucometer;  
FIG. 2 is a rear perspective view thereof;  
FIG. 3 is a front elevational view thereof;  
FIG. 4 is a rear elevational view thereof;  
FIG. 5 is a side elevational view thereof;  
FIG. 6 is another side elevational view thereof;  
FIG. 7 is a top plan view thereof; and,  
FIG. 8 is a bottom plan view thereof.

**1 Claim, 6 Drawing Sheets**





*Fig. 1*



*Fig. 2*

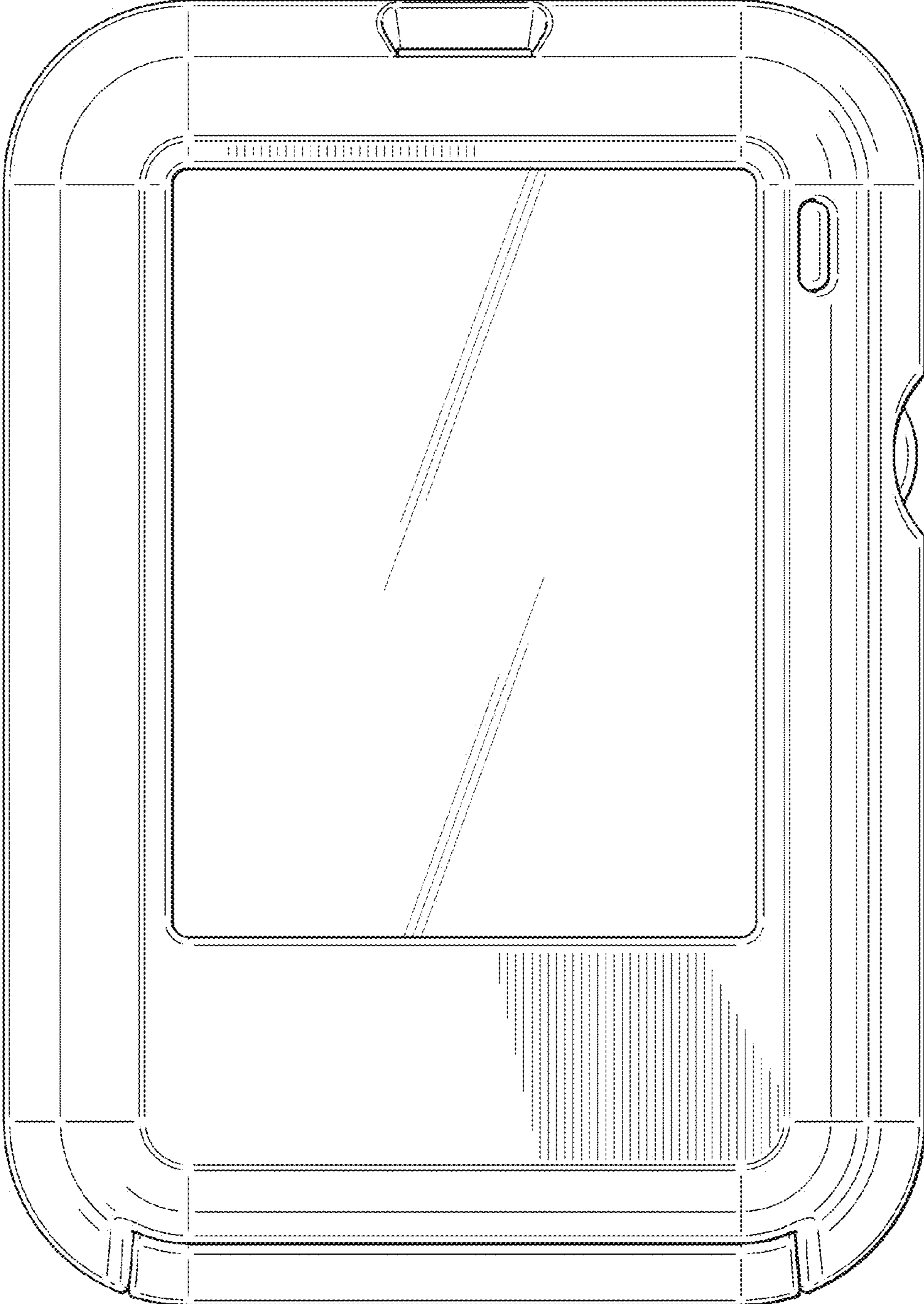
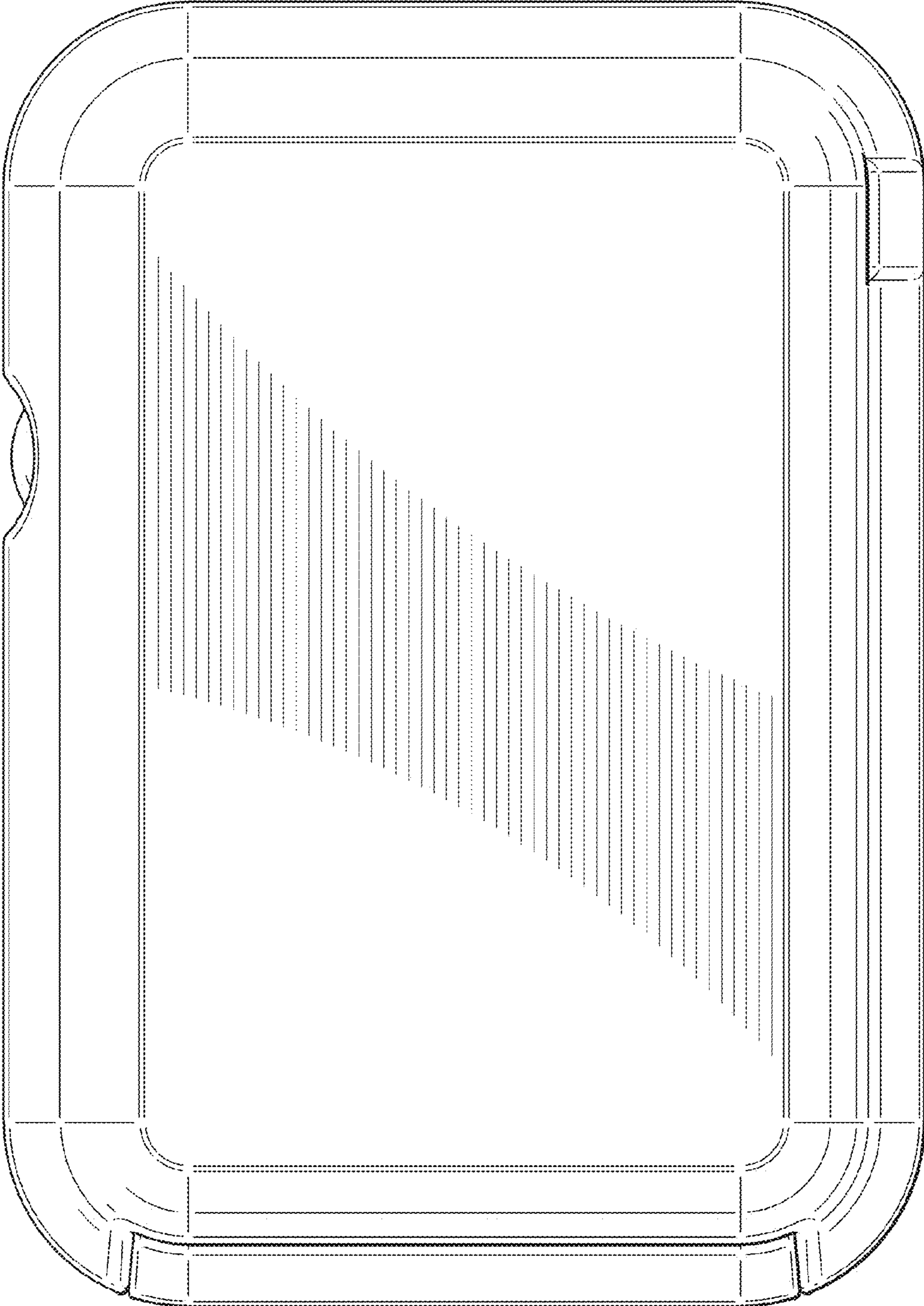
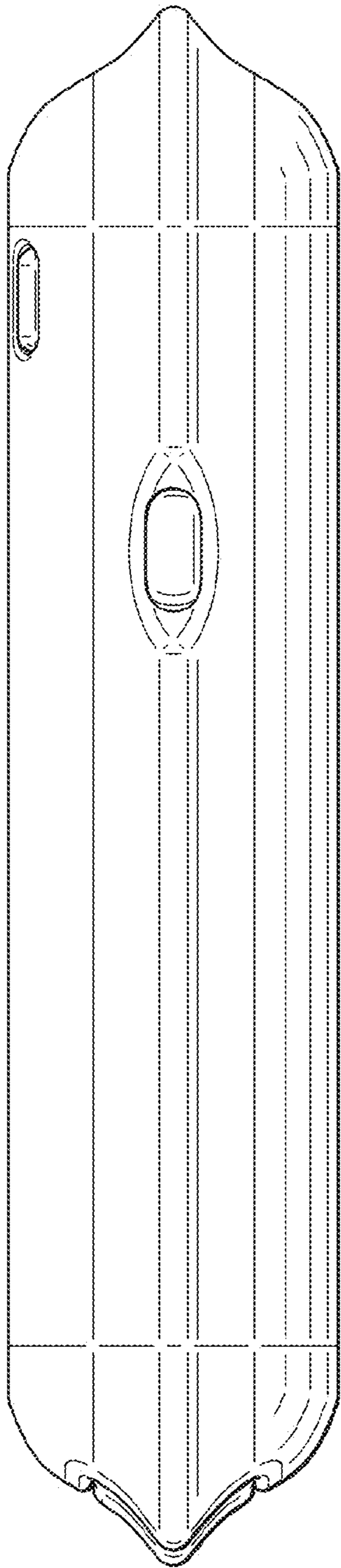


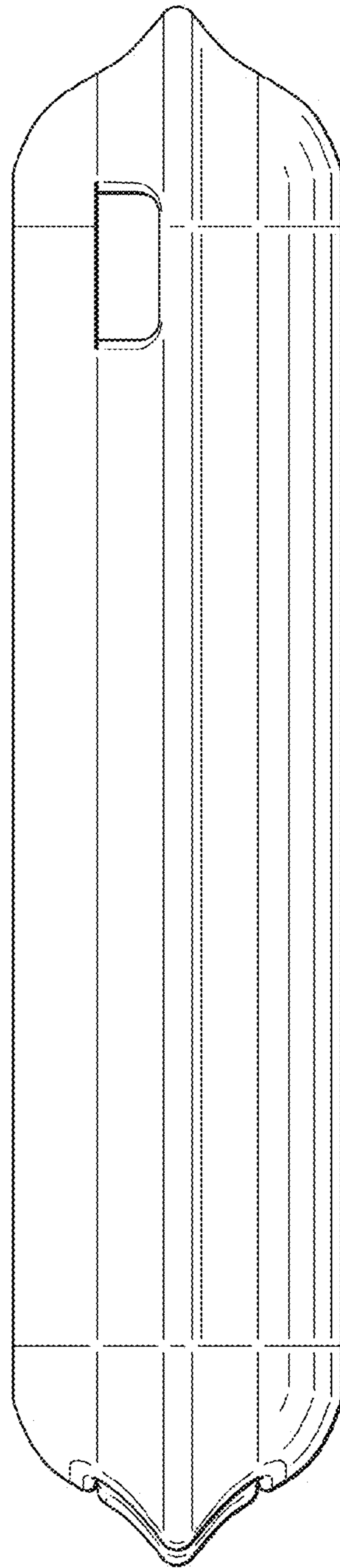
Fig. 3



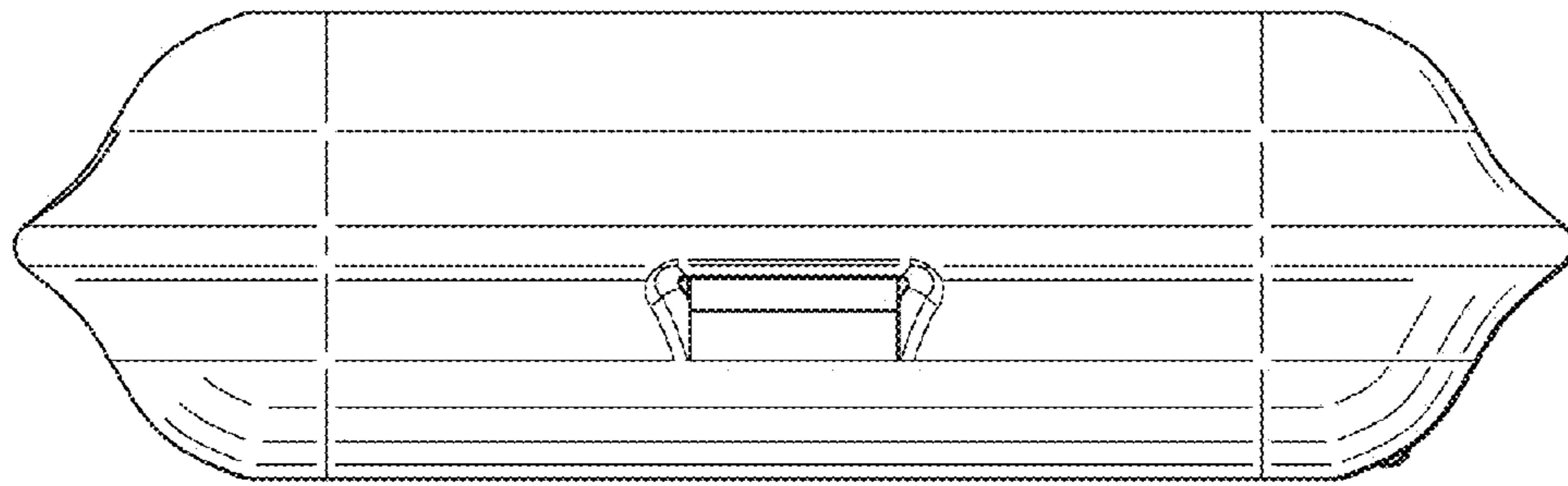
*Fig. 4*



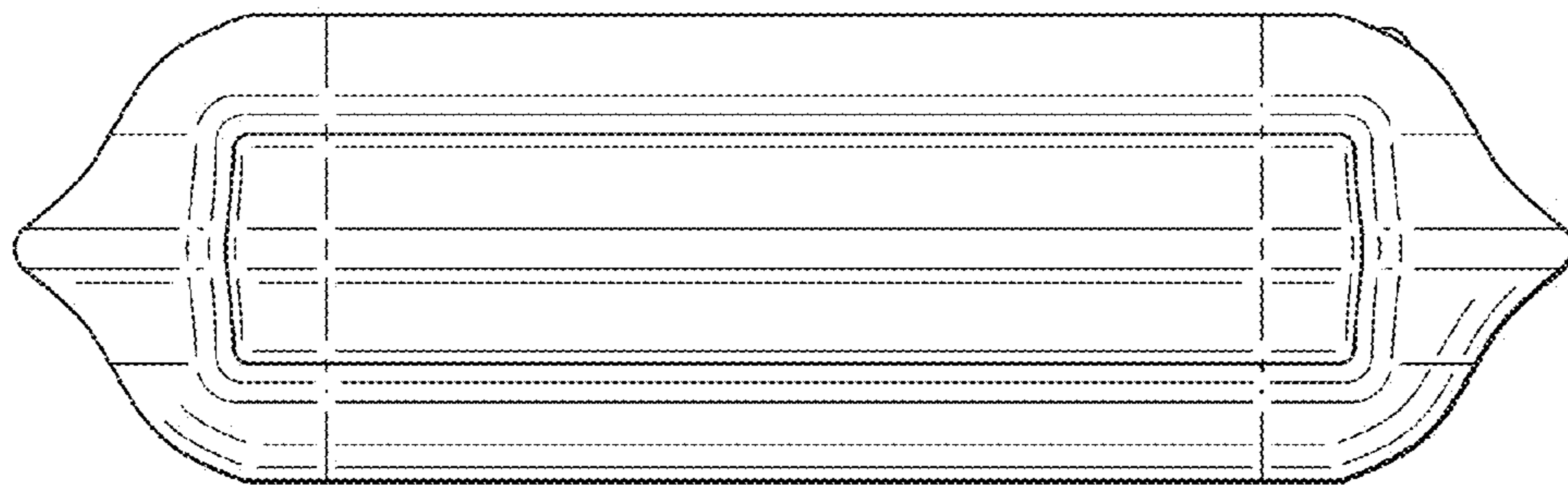
*Fig. 5*



*Fig. 6*



*Fig. 7*



*Fig. 8*