



US00D676554S

(12) **United States Design Patent**
Moon

(10) **Patent No.:** **US D676,554 S**

(45) **Date of Patent:** **** Feb. 19, 2013**

(54) **MEDICAL X-RAY COLLIMATOR**

4,380,820 A * 4/1983 Cutter 378/153
D569,988 S * 5/2008 Koop D24/220
D628,296 S * 11/2010 Hoshino D24/158

(75) Inventor: **Jae-Hwa Moon**, Seoul (KR)

* cited by examiner

(73) Assignee: **Samsung Electronics Co., Ltd.** (KR)

Primary Examiner — T. Chase Nelson

(**) Term: **14 Years**

Assistant Examiner — Ania Aman

(21) Appl. No.: **29/406,267**

(74) *Attorney, Agent, or Firm* — NSIP Law

(22) Filed: **Nov. 11, 2011**

(57) **CLAIM**

The ornamental design for a medical x-ray collimator, as shown and described.

(30) **Foreign Application Priority Data**

DESCRIPTION

Aug. 10, 2011 (KR) 30-2011-0033430

FIG. 1 is a perspective view of a medical x-ray collimator; FIG. 2 is a front view of the medical x-ray collimator of FIG. 1; FIG. 3 is a rear view of the medical x-ray collimator of FIG. 1; FIG. 4 is a left-side view of the medical x-ray collimator of FIG. 1; FIG. 5 is a right-side view of the medical x-ray collimator of FIG. 1; FIG. 6 is a top plan view of the medical x-ray collimator of FIG. 1; and, FIG. 7 is a bottom plan view of the medical x-ray collimator of FIG. 1.

(51) **LOC (9) Cl.** **24-01**

(52) **U.S. Cl.** **D24/158**

(58) **Field of Classification Search** D24/158-161, D24/186; 378/4, 19-21, 23, 25, 27, 146
See application file for complete search history.

(56) **References Cited**

U.S. PATENT DOCUMENTS

3,936,647 A * 2/1976 Fekete 378/153
4,246,488 A * 1/1981 Hura 378/151

1 Claim, 7 Drawing Sheets

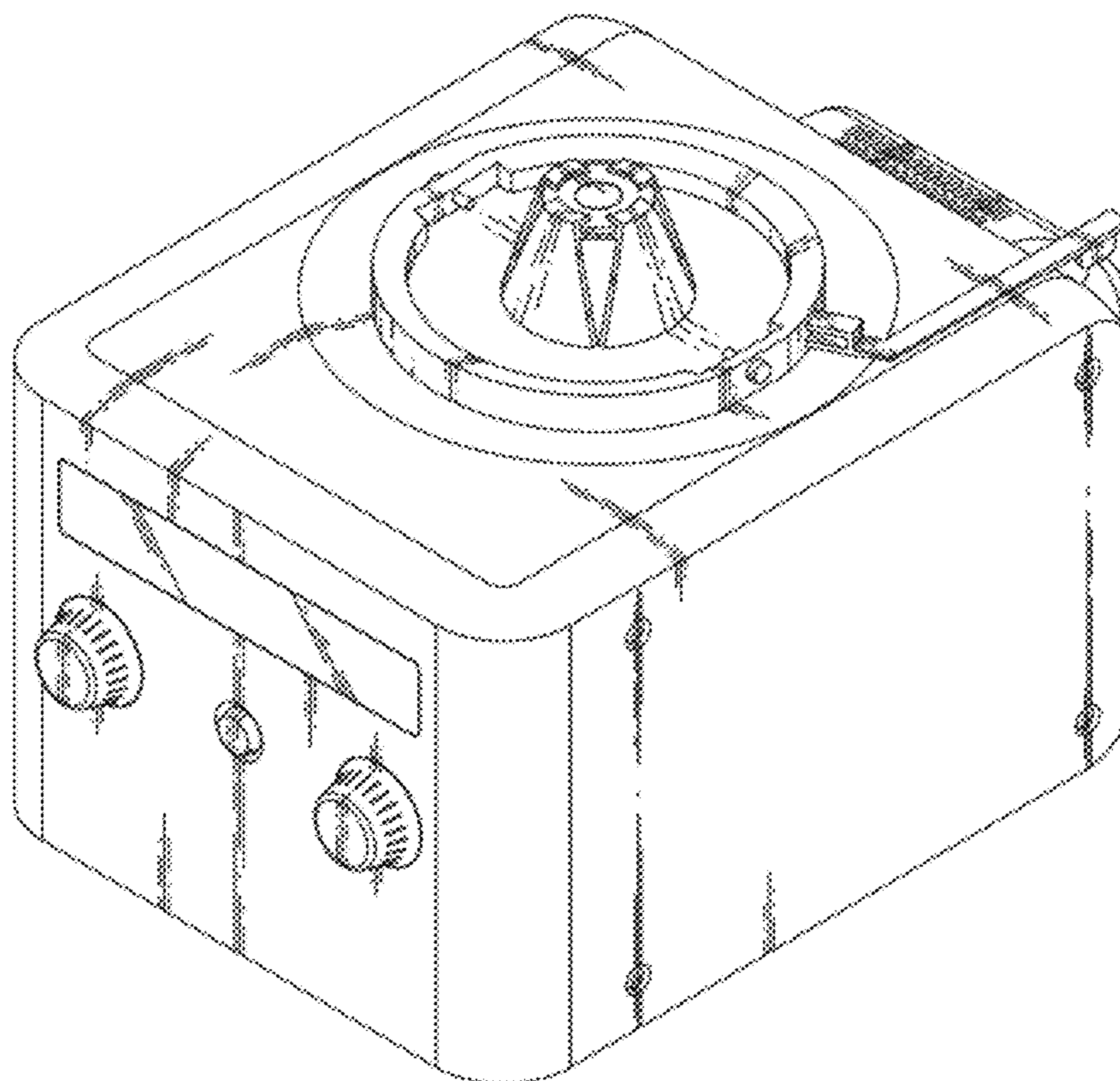


FIG. 1

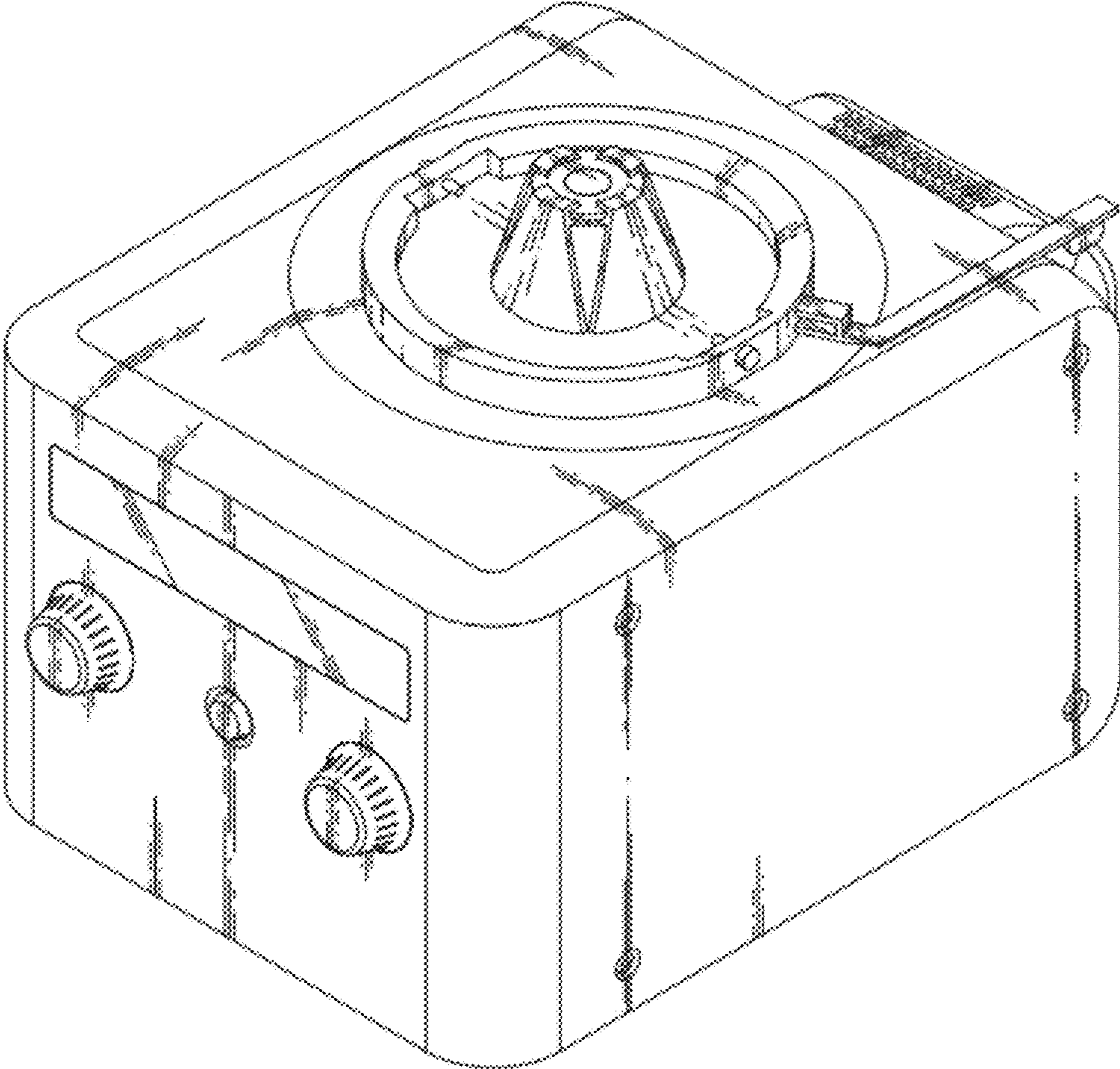


FIG. 2

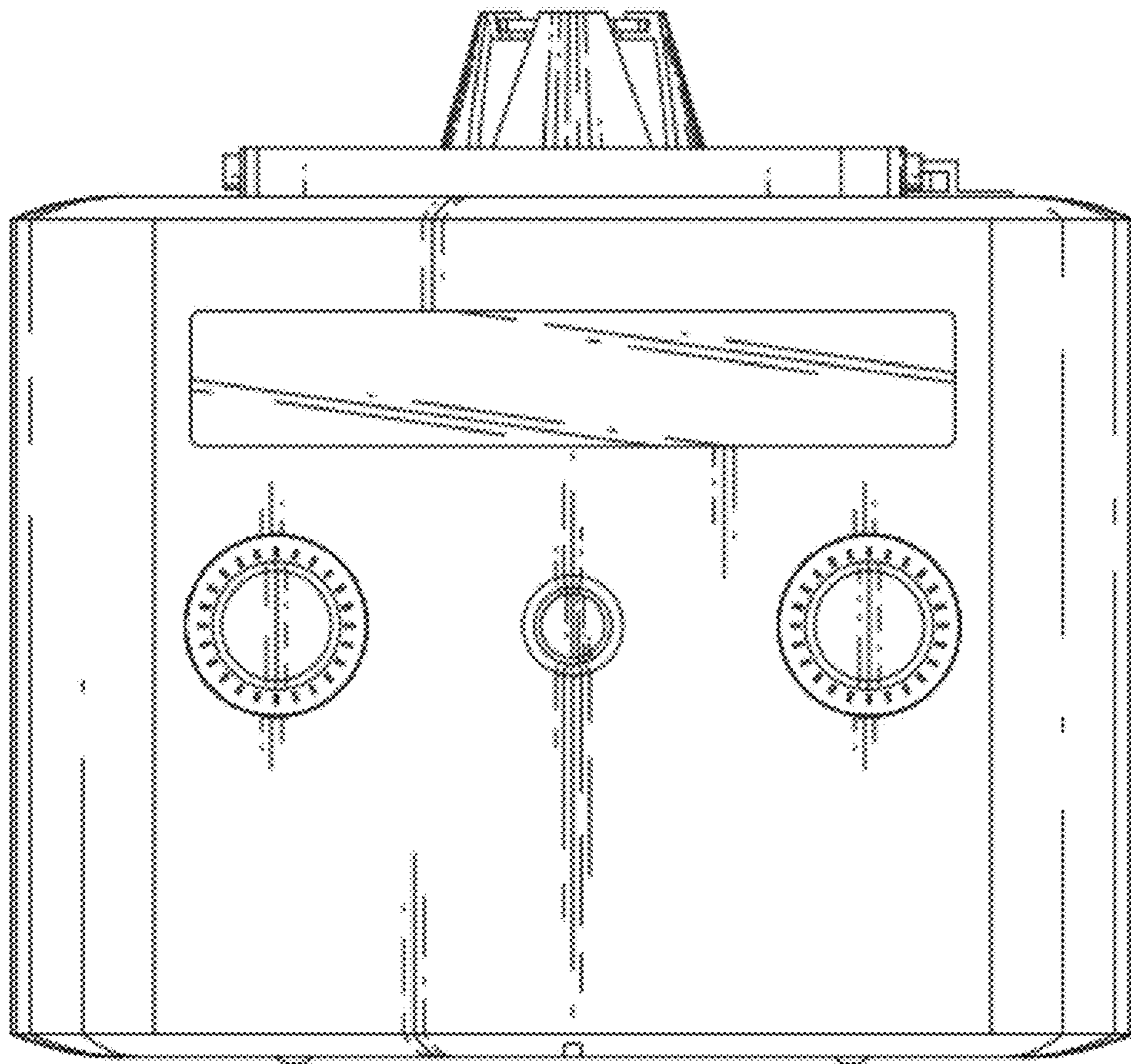


FIG. 3

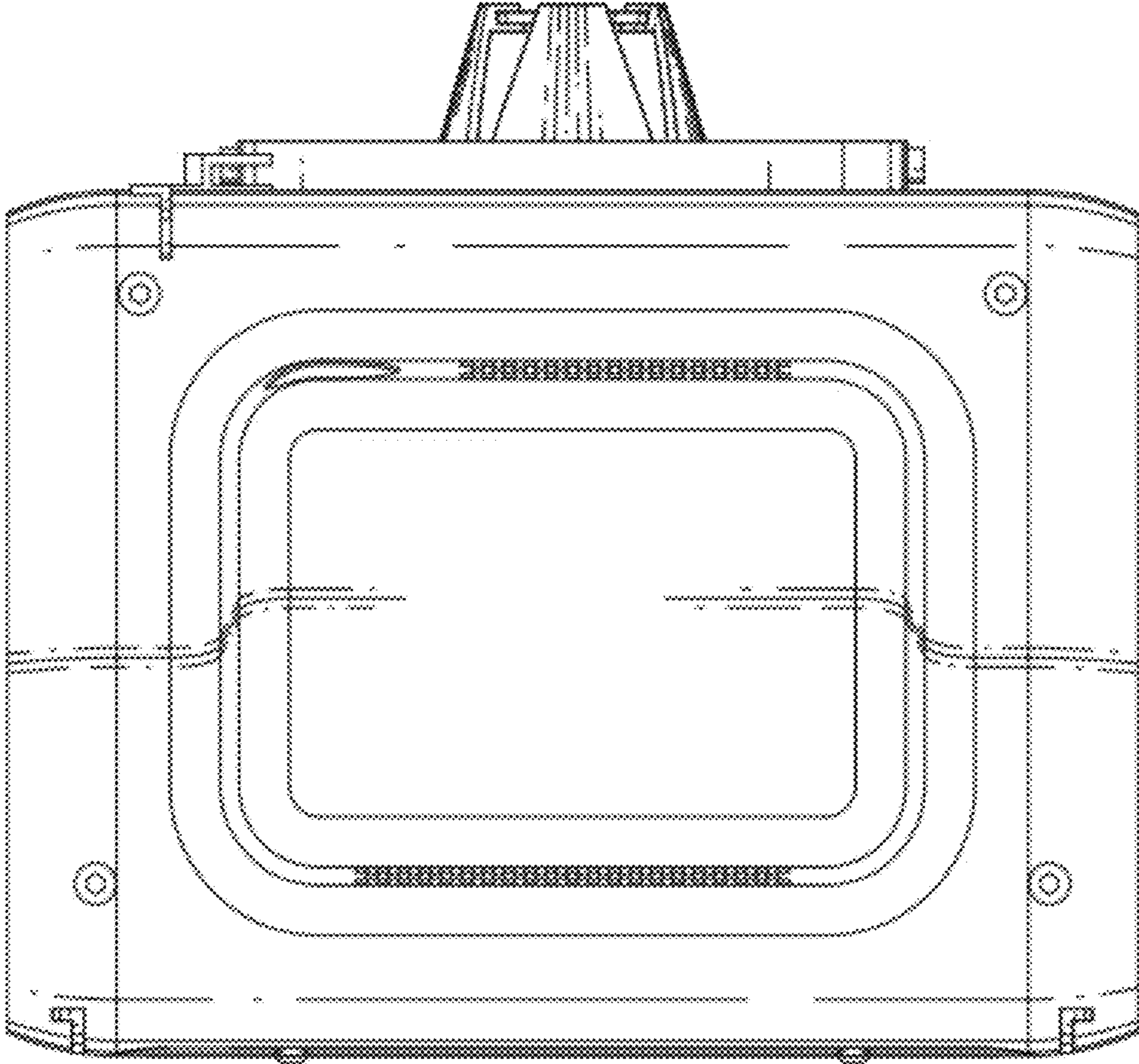


FIG. 4

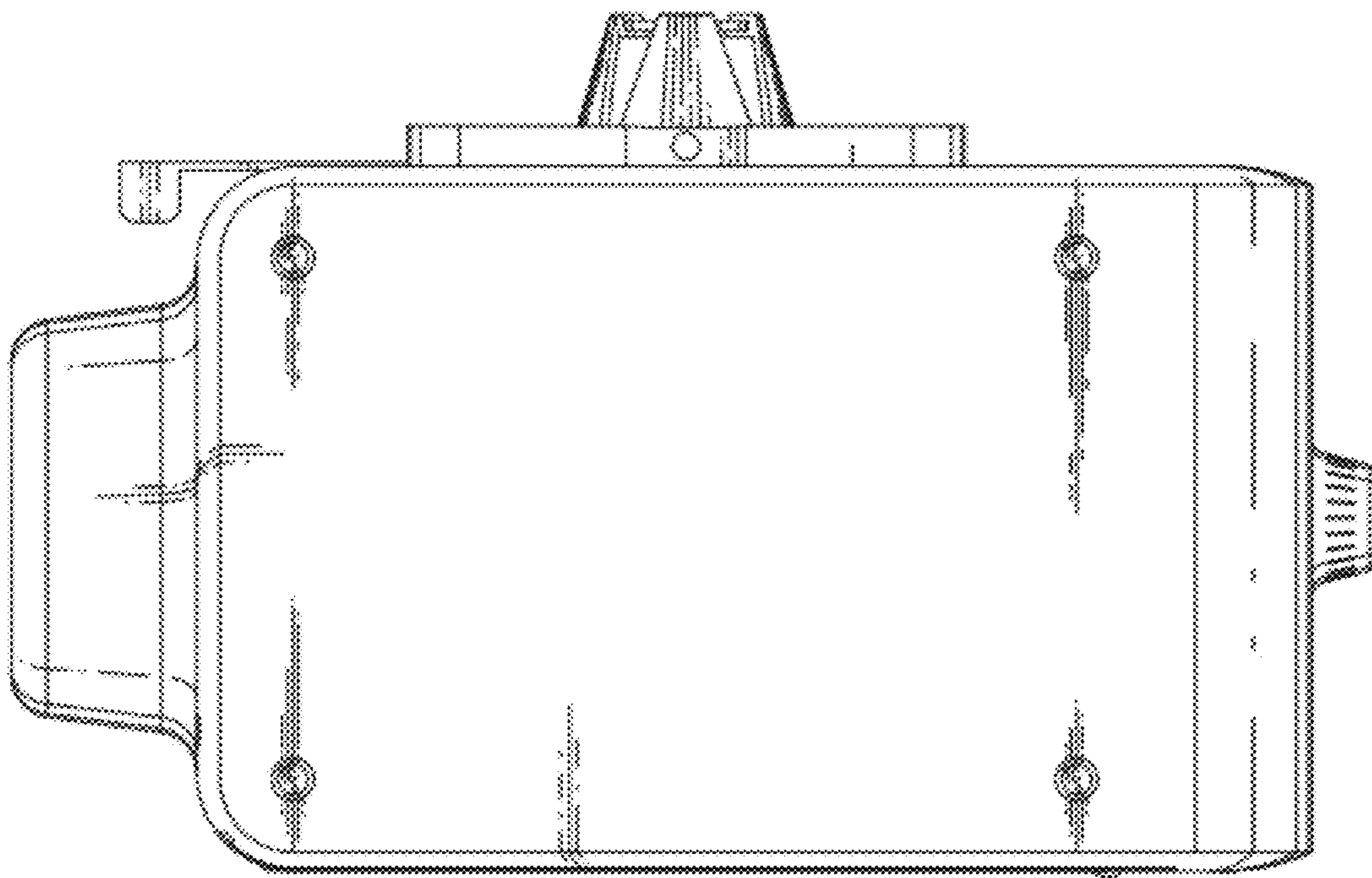


FIG. 5

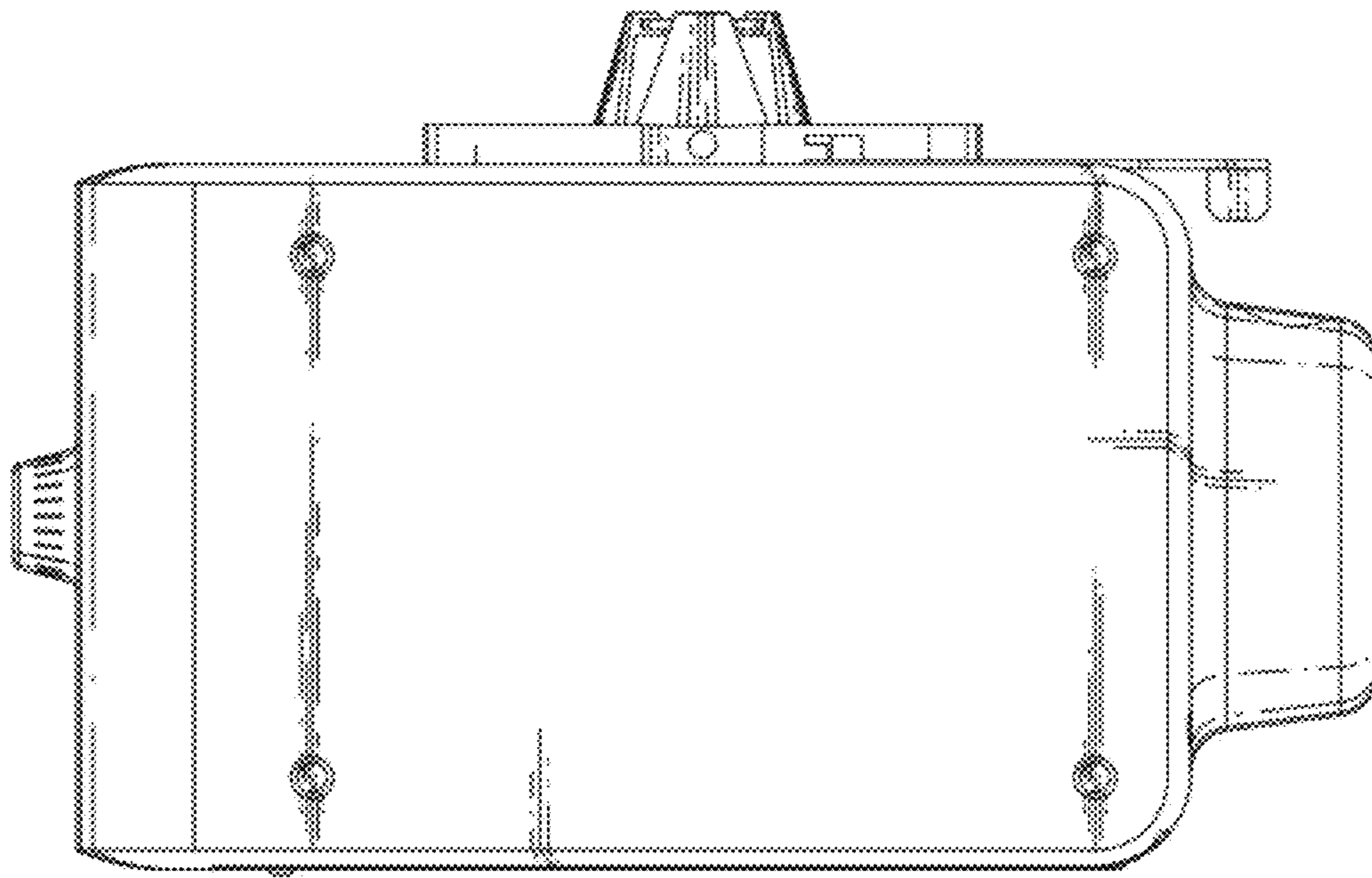


FIG. 6

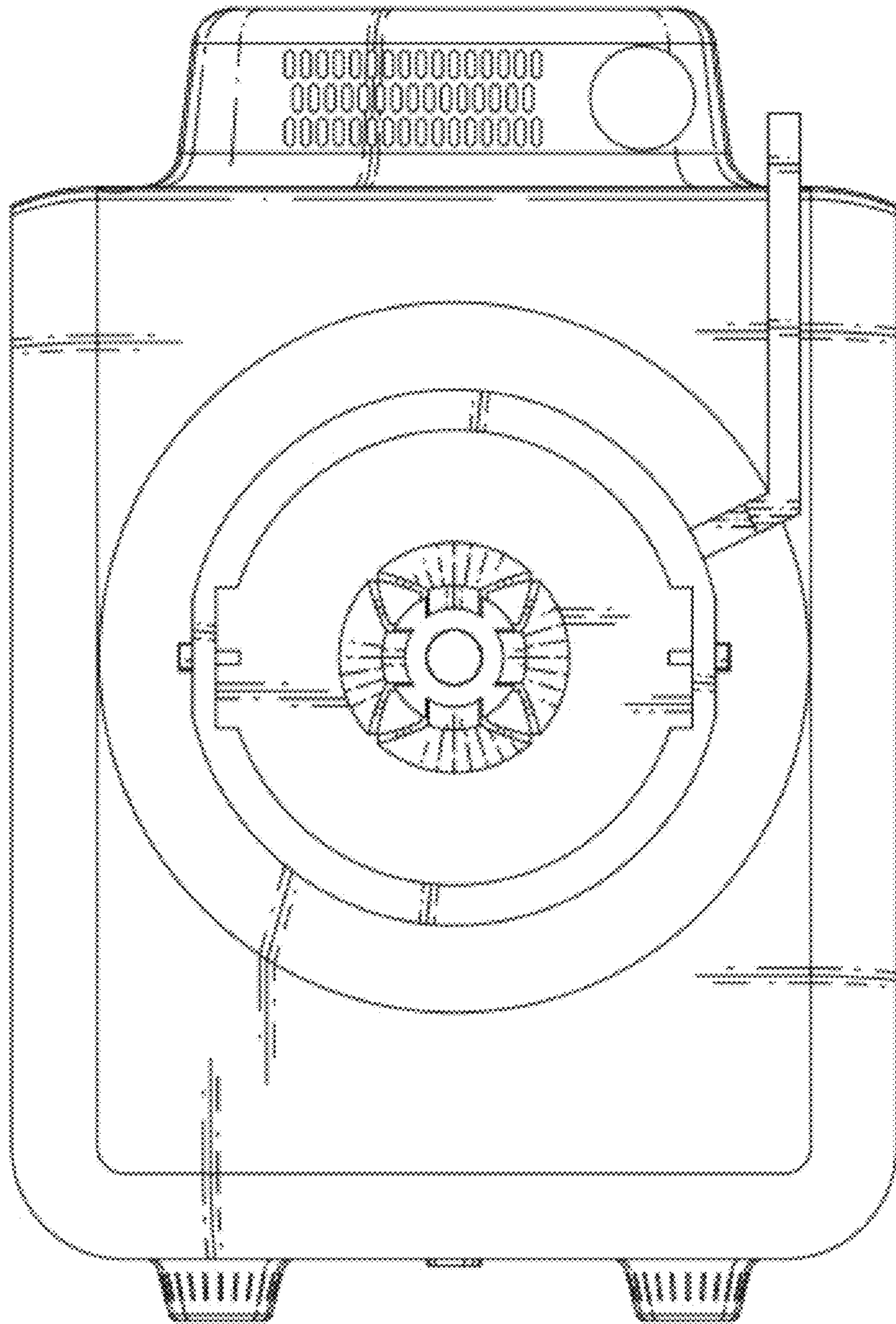


FIG. 7

