



US00D676553S

(12) **United States Design Patent**
Becker

(10) **Patent No.:** **US D676,553 S**

(45) **Date of Patent:** **** Feb. 19, 2013**

(54) **RESECTOSCOPE SHEATH**

(75) Inventor: **Wolfram Becker**, Laer (DE)

(73) Assignee: **Karl Storz GmbH & Co. KG** (DE)

(**) Term: **14 Years**

(21) Appl. No.: **29/396,003**

(22) Filed: **Jun. 23, 2011**

(30) **Foreign Application Priority Data**

Dec. 23, 2010 (EM) 001798331-0015

(51) **LOC (9) Cl.** **24-02**

(52) **U.S. Cl.** **D24/146**

(58) **Field of Classification Search** D24/147,
D24/146, 107, 108, 111, 129, 133, 137, 138,
D24/143, 145, 149; 600/101, 104, 105, 112-114,
600/119, 120-123, 128, 131, 132, 135, 136,
600/138, 153, 154, 156, 167, 158, 162; 604/523;
606/49, 46, 170, 180, 41; 285/316; 128/898

See application file for complete search history.

(56) **References Cited**

U.S. PATENT DOCUMENTS

5,445,168	A	*	8/1995	Krebs	128/898
D536,787	S	*	2/2007	Rehbein et al.	D24/133
D559,980	S	*	1/2008	Rehbein et al.	D24/133
D570,479	S	*	6/2008	Rehbein et al.	D24/133
D570,480	S	*	6/2008	Rehbein et al.	D24/133
D570,481	S	*	6/2008	Rehbein et al.	D24/133
D571,007	S	*	6/2008	Rehbein et al.	D24/133
D573,257	S	*	7/2008	Rehbein et al.	D24/133
D580,051	S	*	11/2008	Rehbein et al.	D24/133
D594,120	S	*	6/2009	Berberich et al.	D24/133

D594,121	S	*	6/2009	Berberich et al.	D24/133
D596,291	S	*	7/2009	Berberich et al.	D24/133
D615,200	S	*	5/2010	Hahn et al.	D24/138
D629,099	S	*	12/2010	Kilani	D24/133
D637,290	S	*	5/2011	Schwoy	D24/146

OTHER PUBLICATIONS

Storz'Die Welt Der Endoskopie—Urologie; p. 42—Resektoskopschafte; p. 44—Resektoskopschafte mit Feststehendem Innenschaft, and p. 45—Resektoskopschafte mit Drehbarem Innenschaft; 2008 (4 pages total).

* cited by examiner

Primary Examiner — Ian Simmons

Assistant Examiner — Carissa C Fitts

(74) *Attorney, Agent, or Firm* — St. Onge Steward Johnston & Reens LLC

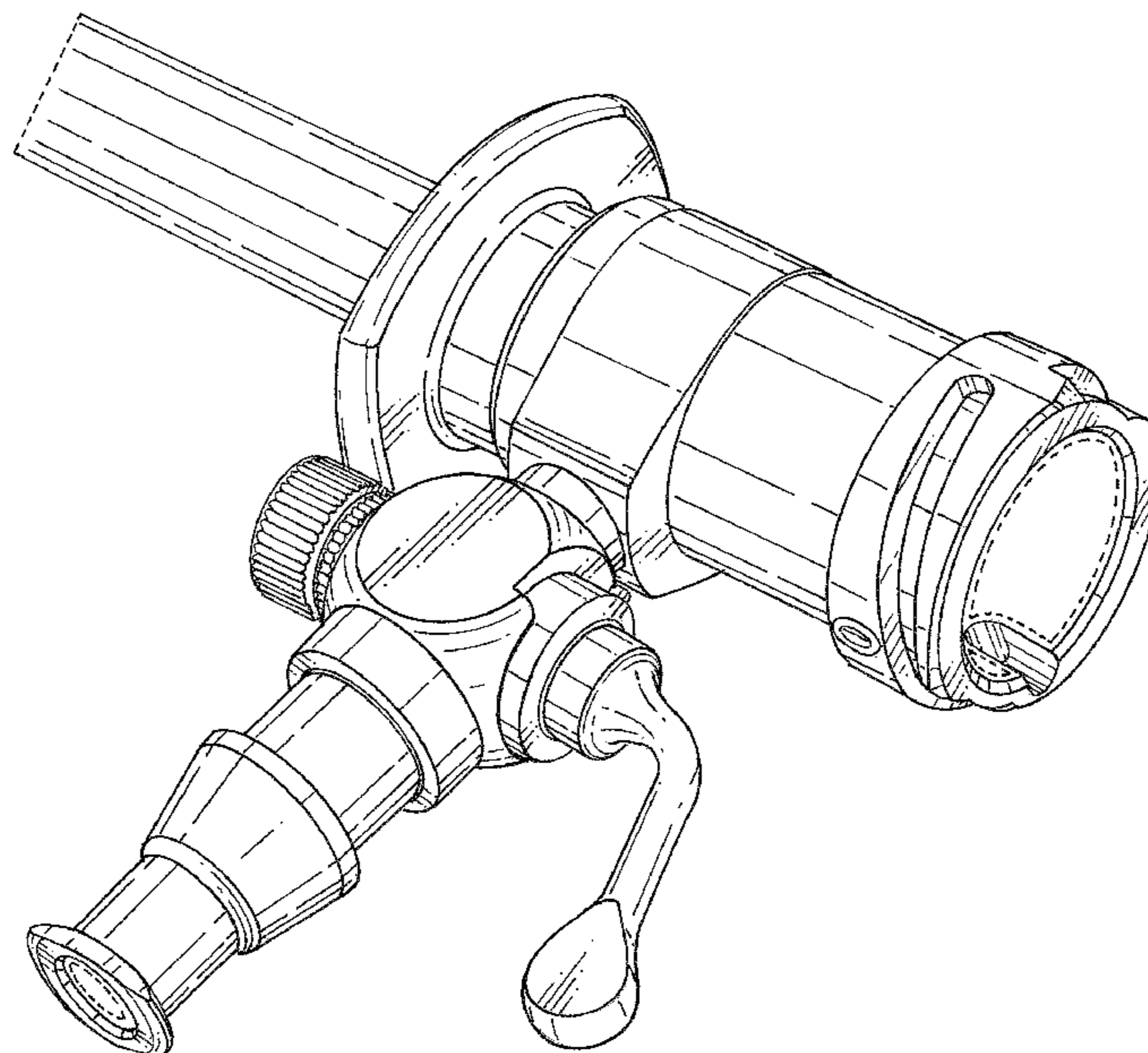
(57) **CLAIM**

The ornamental design for a resectoscope sheath, as shown and described.

DESCRIPTION

FIG. 1 is a top right side perspective view of a resectoscope sheath in accordance with the new design; FIG. 2 is a right side isometric view thereof; FIG. 3 is a left side isometric view thereof; FIG. 4 is a top isometric view thereof; FIG. 5 is a bottom isometric view thereof; FIG. 6 is a front isometric view thereof; and, FIG. 7 is a rear isometric view thereof. The broken lines shown in FIGS. 1-7 represent the bounds of the claimed design and form no part of the claimed design.

1 Claim, 7 Drawing Sheets



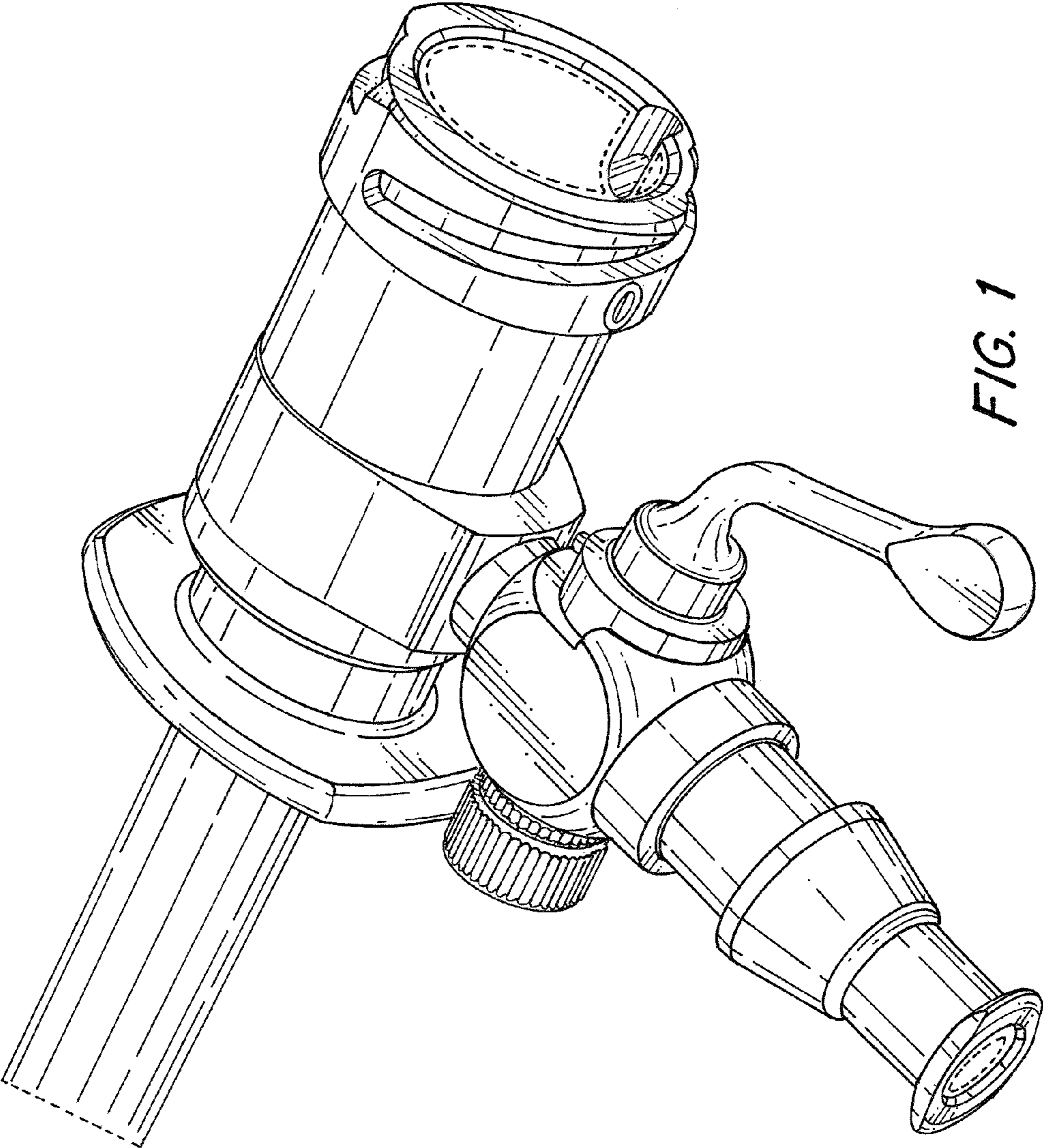


FIG. 1

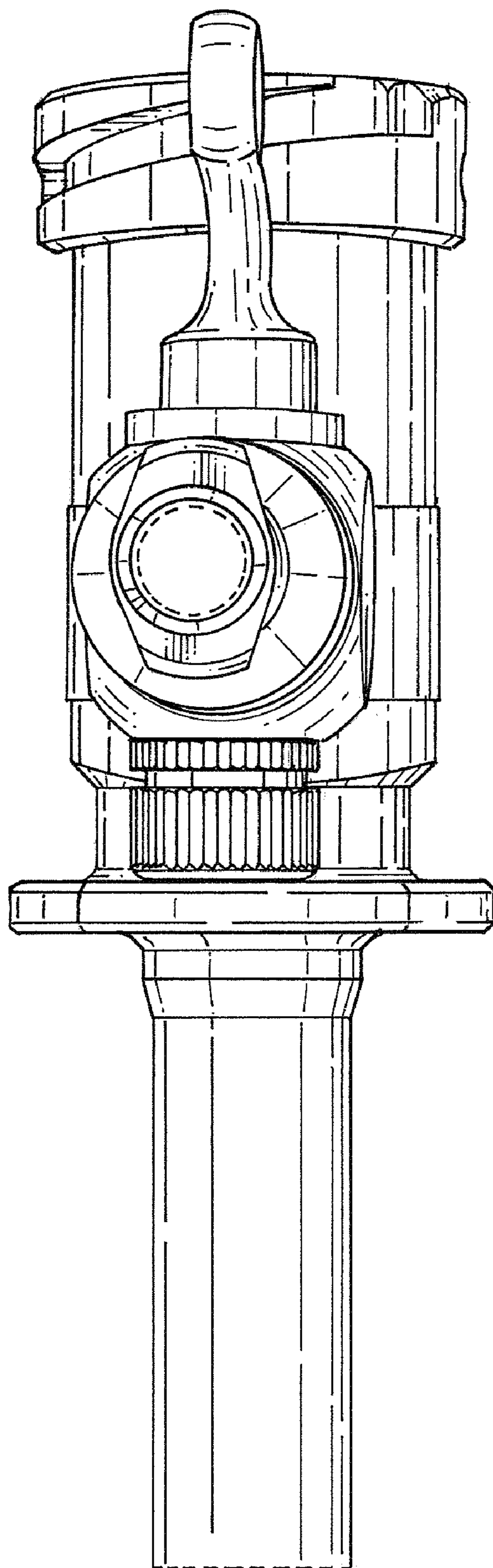


FIG. 2

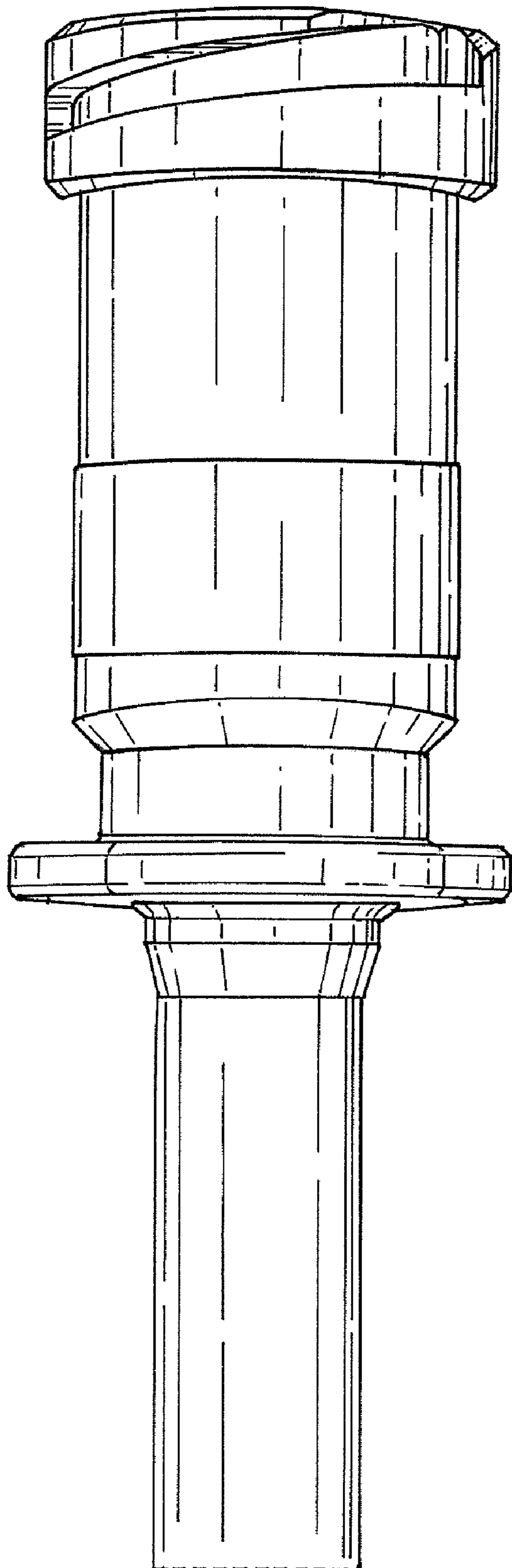


FIG. 3

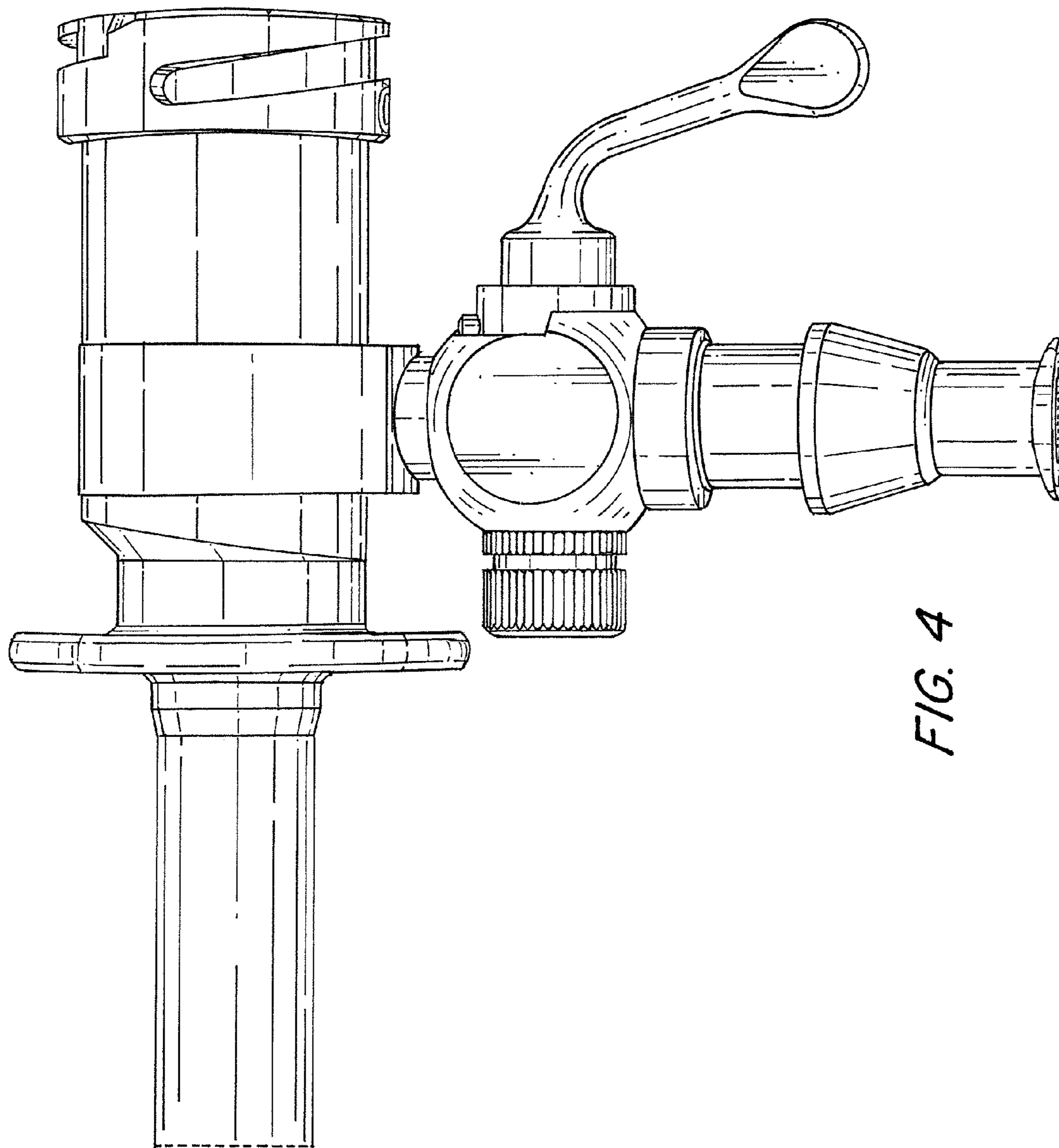


FIG. 4

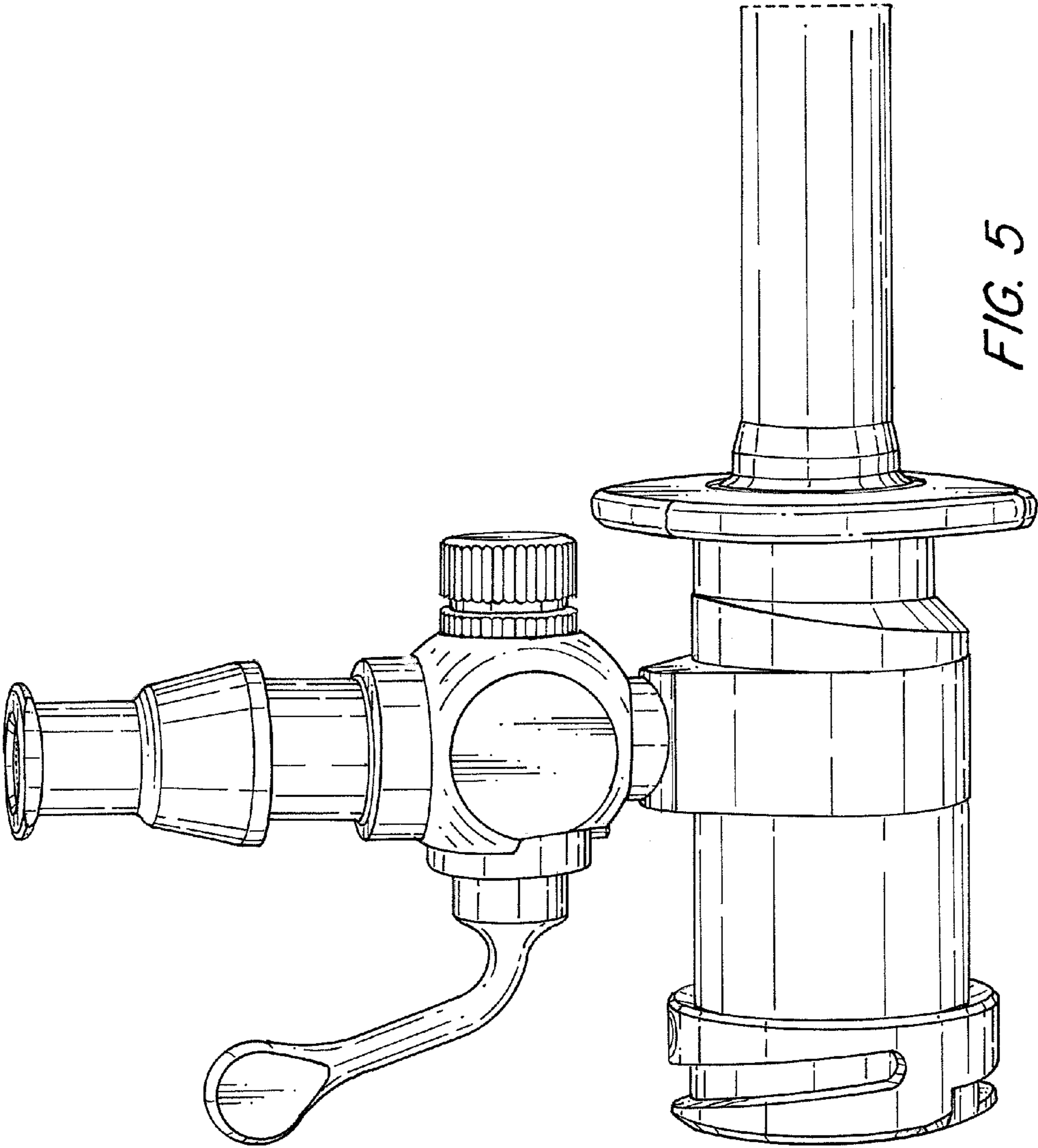


FIG. 5

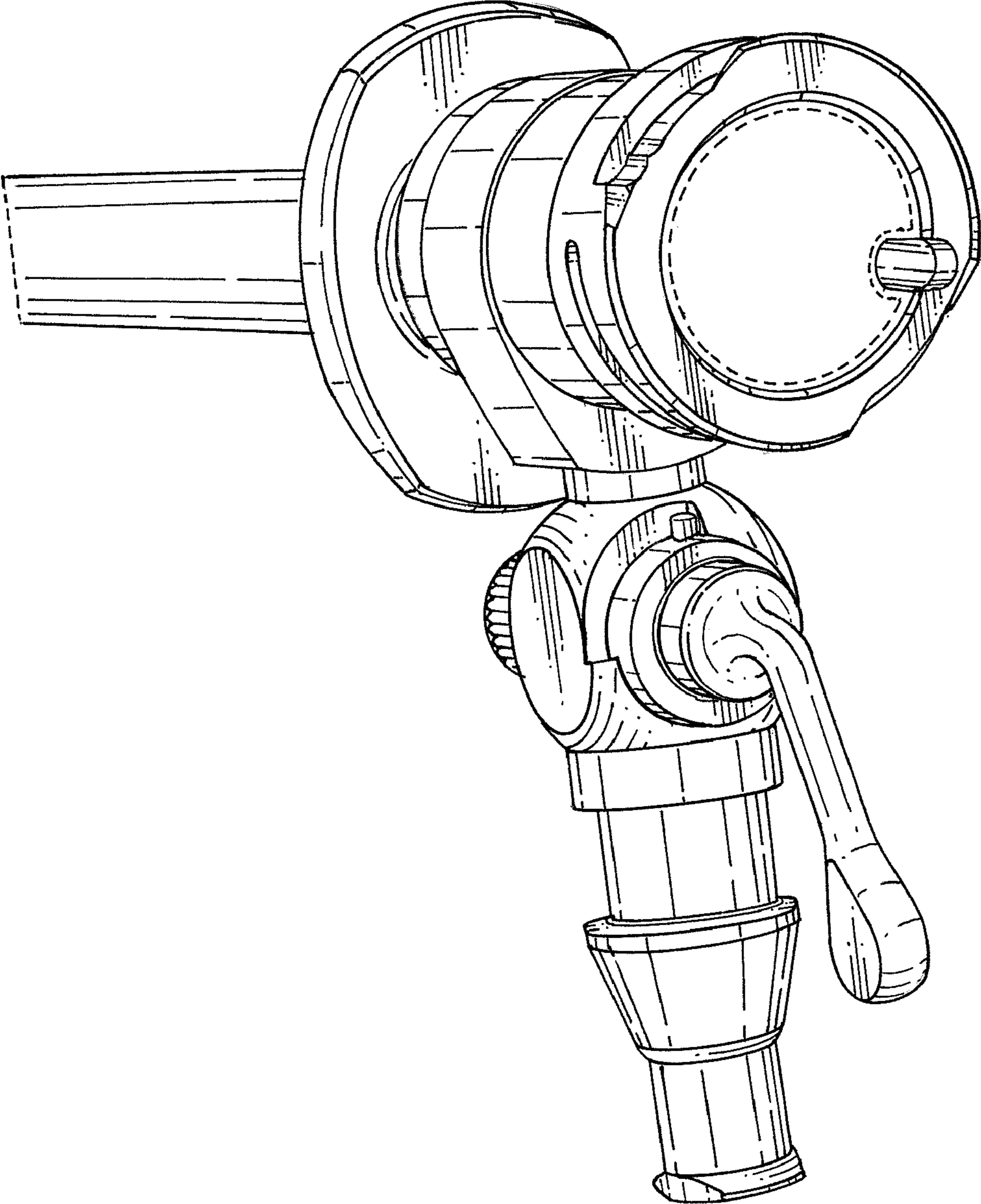


FIG. 6

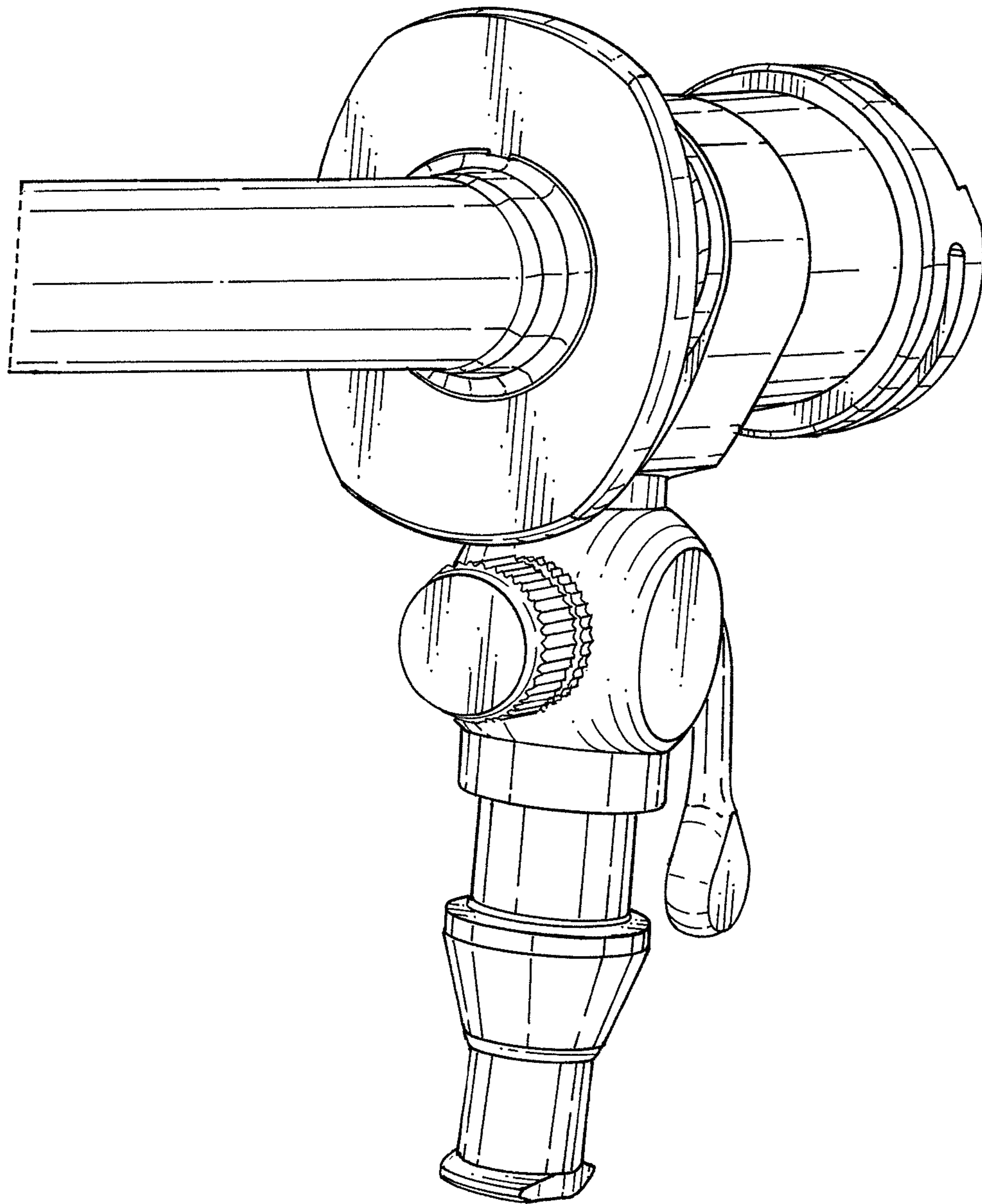


FIG. 7