



US00D676552S

(12) **United States Design Patent**
McLoughlin et al.

(10) **Patent No.:** **US D676,552 S**
(45) **Date of Patent:** **** Feb. 19, 2013**

(54) **NEEDLE CAP FOR A MEDICATION ADMINISTRATION DEVICE**

(75) Inventors: **Martin John McLoughlin**, Hemel Hempstead (GB); **Alex Lee**, New York, NY (US); **Dan Formosa**, Piermont, NY (US); **Steven Vordenberg**, Amherst, NH (US); **Joern Vicari**, Brooklyn, NY (US); **Eric Freitag**, New York, NY (US); **Boris Kontorvich**, Brooklyn, NY (US)

(73) Assignee: **UCB Pharma, S.A.**, Brussels (BE)

(**) Term: **14 Years**

(21) Appl. No.: **29/418,282**

(22) Filed: **Apr. 13, 2012**

4,964,866 A	10/1990	Szwarc
4,985,020 A	1/1991	Kasuya
4,986,818 A	1/1991	Imbert et al.
5,013,299 A	5/1991	Clark
5,067,944 A	11/1991	Nichols
5,098,400 A	3/1992	Crouse et al.
5,108,378 A	4/1992	Firth et al.
5,135,514 A	8/1992	Kimber
5,250,037 A	10/1993	Bitdinger
5,279,581 A	1/1994	Firth et al.
5,322,515 A	6/1994	Karas et al.
5,324,272 A	6/1994	Smedley et al.
5,342,309 A	8/1994	Hausser
5,344,404 A	9/1994	Benson
5,344,407 A	9/1994	Ryan
5,344,417 A	9/1994	Wadsworth, Jr.
5,380,286 A	1/1995	van den Haak
5,382,241 A	1/1995	Choudhury et al.
5,385,555 A	1/1995	Hausser
D355,970 S	2/1995	Monthony et al.
5,433,711 A	7/1995	Balaban et al.

(Continued)

Related U.S. Application Data

(62) Division of application No. 29/340,497, filed on Jul. 20, 2009, now Pat. No. Des. 660,958.

(51) **LOC (9) Cl.** **24-02**

(52) **U.S. Cl.** **D24/130**

(58) **Field of Classification Search** D24/112-114, D24/133, 186, 104, 130, 127, 176, 110, 110.5; 606/181, 185; 604/232, 187, 158, 164.08, 604/192, 263, 163, 181, 184, 198, 227; 128/859, 128/848, 207.14, 207.15
See application file for complete search history.

FOREIGN PATENT DOCUMENTS

DE	60112770	3/2006
EP	1 453 561	9/2004

(Continued)

Primary Examiner — David Muller

(74) *Attorney, Agent, or Firm* — Ropes & Gray LLP

(57) **CLAIM**

The ornamental design for a needle cap for a medication administration device, as shown and described.

(56) **References Cited**

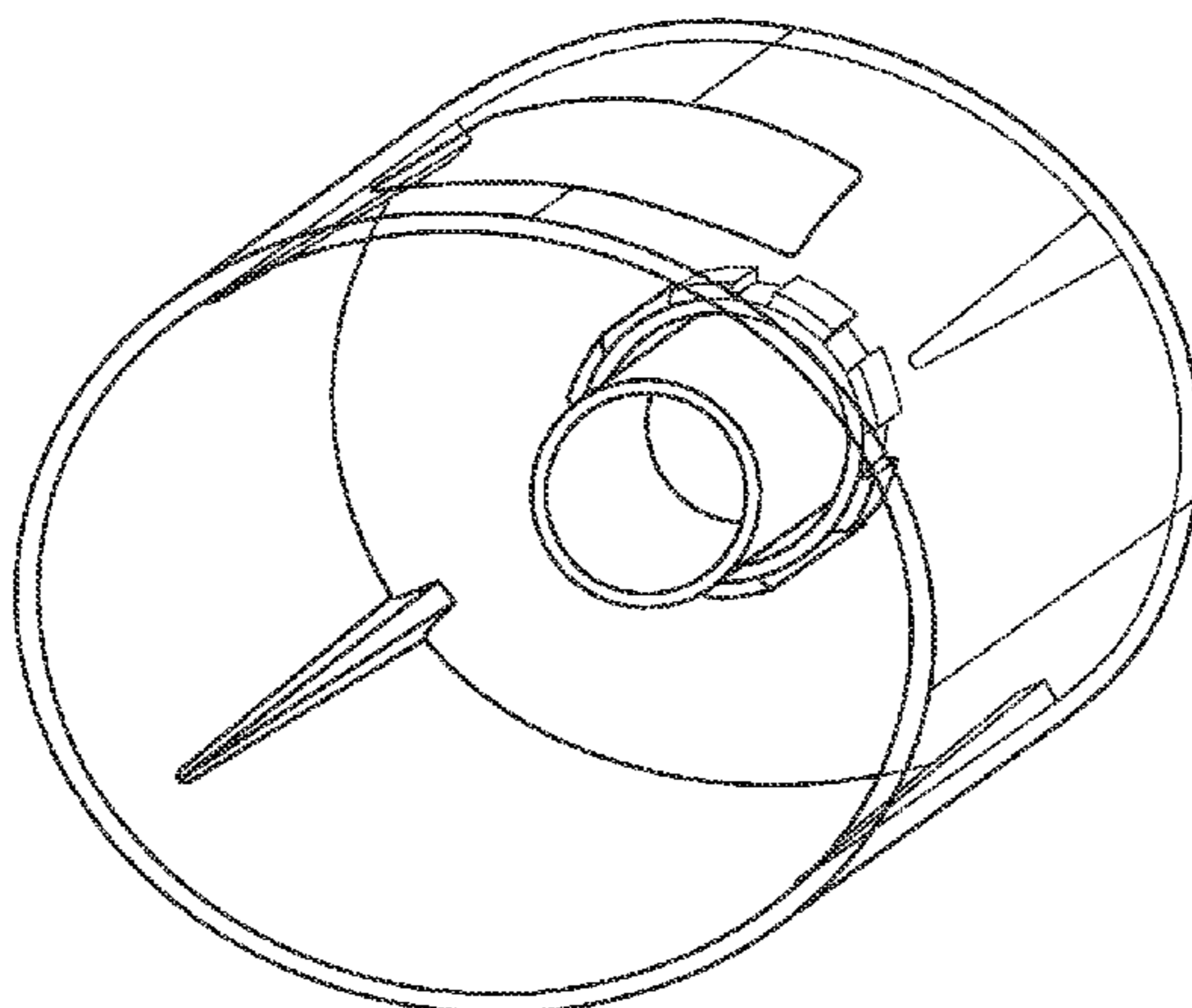
U.S. PATENT DOCUMENTS

2,799,272 A	7/1957	Peach
4,248,246 A	2/1981	Ikeda
4,365,626 A	12/1982	House
4,474,734 A	10/1984	Cooper
4,490,142 A	12/1984	Silvern
4,636,201 A	1/1987	Ambrose et al.
4,728,320 A	3/1988	Chen
4,767,413 A	8/1988	Haber et al.
4,863,433 A	9/1989	Payne et al.
4,892,525 A	1/1990	Hermann, Jr. et al.
4,919,657 A	4/1990	Haber et al.

DESCRIPTION

FIG. 1 is a perspective view of a needle cap for a medication administration device.
FIG. 2 is a top view of a needle cap for a medication administration device.
FIG. 3 is a front elevational view of a needle cap for a medication administration device; and,
FIG. 4 is a bottom view of a needle cap for a medication administration device.

1 Claim, 2 Drawing Sheets



US D676,552 S

Page 2

U.S. PATENT DOCUMENTS

5,437,639	A	8/1995	Malenchek	
5,478,316	A	12/1995	Bitdinger et al.	
5,533,980	A	7/1996	Sweeney et al.	
5,624,400	A	4/1997	Firth et al.	
5,624,405	A	4/1997	Futagawa et al.	
5,634,906	A	6/1997	Haber et al.	
5,647,849	A	7/1997	Kalin	
5,658,254	A	8/1997	Reichenbach et al.	
5,733,264	A	3/1998	Flowers	
5,746,733	A	5/1998	Capaccio et al.	
D403,761	S	1/1999	Adams	
5,858,008	A	1/1999	Capaccio	
5,944,699	A	8/1999	Barrelle et al.	
D419,671	S *	1/2000	Jansen	D24/112
6,027,482	A	2/2000	Imbert	
6,093,174	A	7/2000	Novinkov	
D429,812	S	8/2000	Hjertman et al.	
6,190,364	B1	2/2001	Imbert	
6,193,688	B1	2/2001	Balestracci et al.	
6,196,998	B1	3/2001	Jansen et al.	
6,210,374	B1	4/2001	Malencheck	
6,280,421	B1	8/2001	Kirchhofer et al.	
6,352,522	B1	3/2002	Kim et al.	
D460,178	S *	7/2002	Courteix	D24/130
6,436,075	B1	8/2002	Liao	
6,491,667	B1	12/2002	Keane et al.	
D469,178	S *	1/2003	Courteix	D24/130
6,520,935	B1	2/2003	Jansen et al.	
D479,270	S *	9/2003	Strong	D24/130
D479,600	S	9/2003	Bainton	
6,622,721	B2	9/2003	Vedrine et al.	
6,629,963	B2	10/2003	Prais et al.	
6,632,199	B1	10/2003	Tucker et al.	
D484,243	S *	12/2003	Ryan et al.	D24/130
6,719,732	B2	4/2004	Courteix	
6,821,268	B2	11/2004	Balestracci	
D506,549	S *	6/2005	Woods	D24/130
6,936,034	B2	8/2005	Watkins	
6,966,897	B2	11/2005	Shimazaki	
7,041,087	B2	5/2006	Henderson et al.	

7,044,125	B2	5/2006	Vedrine et al.	
7,094,223	B2	8/2006	Brunel	
D543,273	S	5/2007	Young et al.	
7,241,275	B2	7/2007	Alchas et al.	
7,255,689	B2	8/2007	Westbye	
D550,363	S	9/2007	Hannant et al.	
7,273,484	B2	9/2007	Thoes et al.	
D563,549	S	3/2008	Mulhauser et al.	
D574,954	S	8/2008	Smith	
D580,052	S	11/2008	White	
D581,046	S *	11/2008	Sudo	D24/130
D581,049	S *	11/2008	Sudo	D24/130
D595,406	S *	6/2009	Kawamura	D24/130
D596,289	S *	7/2009	Kawamura	D24/130
D598,543	S	8/2009	Vogel et al.	
D604,839	S *	11/2009	Crawford et al.	D24/130
D606,190	S	12/2009	Pruitt et al.	
D608,885	S *	1/2010	Sneddon et al.	D24/127
D609,333	S	2/2010	Holmes	
D655,001	S *	2/2012	Becker et al.	D24/130
2002/0068908	A1	6/2002	Sun	
2003/0181859	A1	9/2003	Brunel	
2004/0199124	A1	10/2004	Conte	
2005/0240160	A1	10/2005	Lin	
2007/0078409	A1	4/2007	Saltz	
2007/0156100	A1	7/2007	Moesli et al.	
2007/0250016	A1	10/2007	Pech et al.	

FOREIGN PATENT DOCUMENTS

GB	2 424 836	10/2006
GB	2 438 590	12/2007
JP	2005512637	5/2005
WO	WO 88/06462	9/1988
WO	WO 00/35519	6/2000
WO	WO 02/11799	2/2002
WO	WO 03/051423	6/2003
WO	WO 2004/096324	11/2004
WO	WO 2005/032627	4/2005
WO	WO 2005/115508	12/2005

* cited by examiner

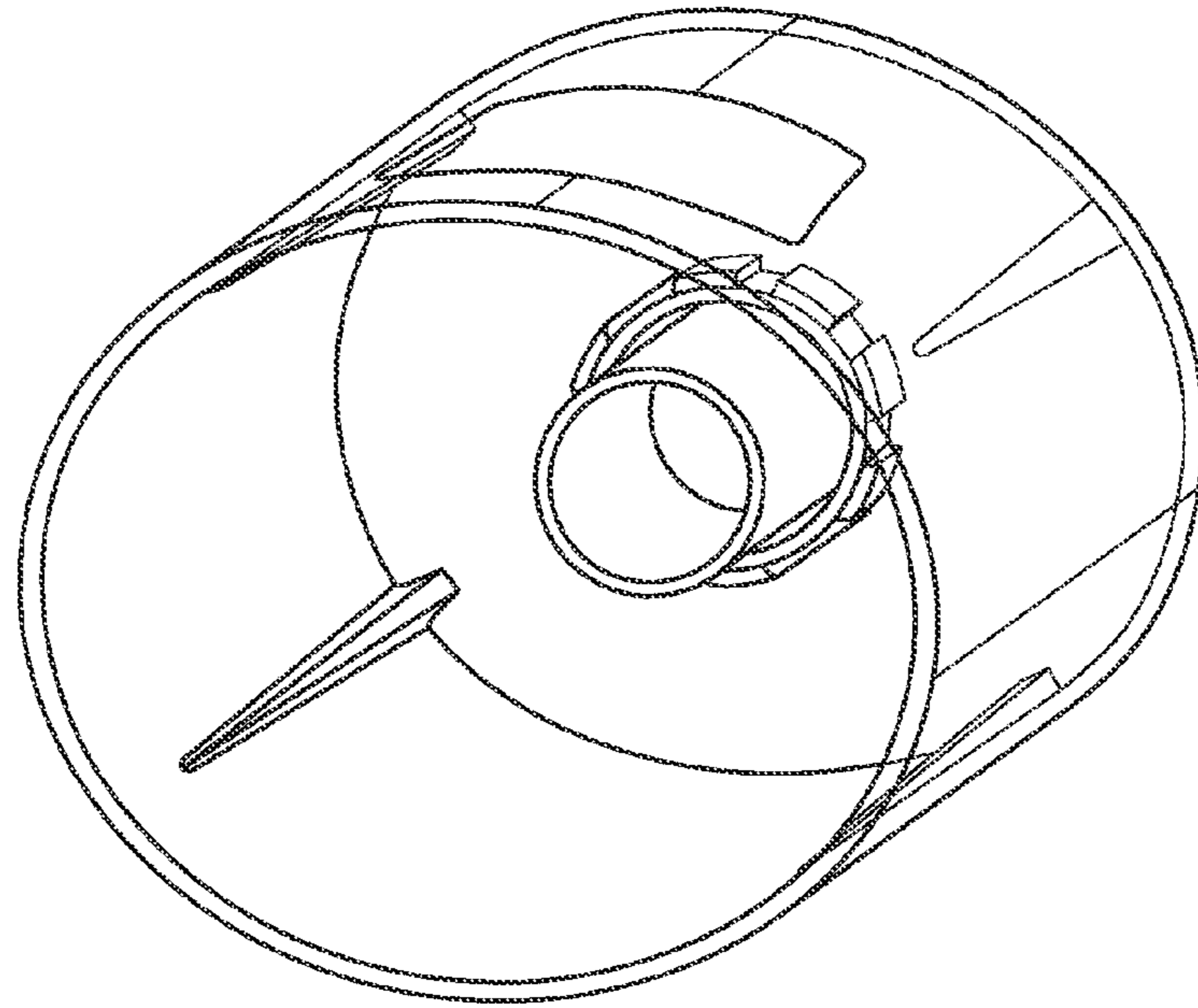


Figure 1

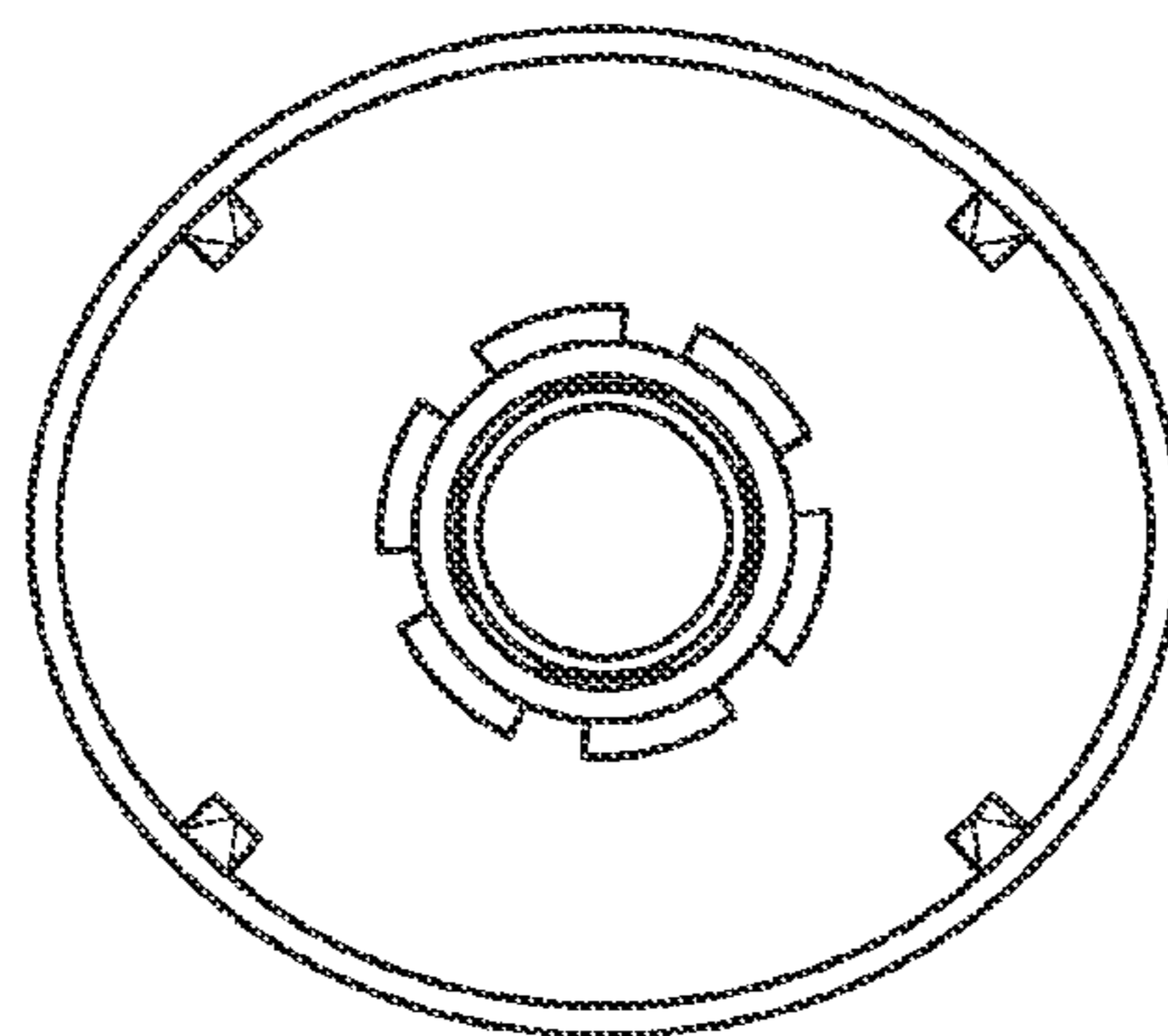


Figure 2

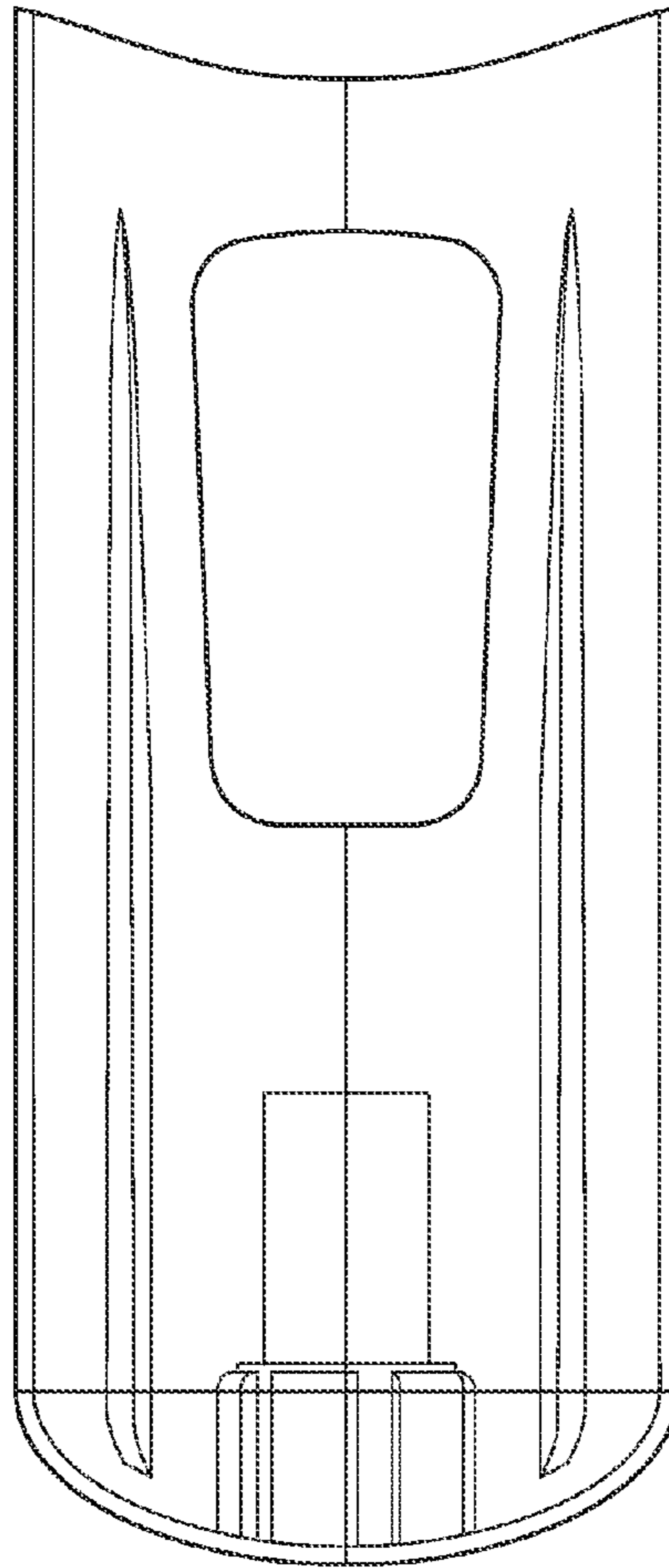


Figure 3

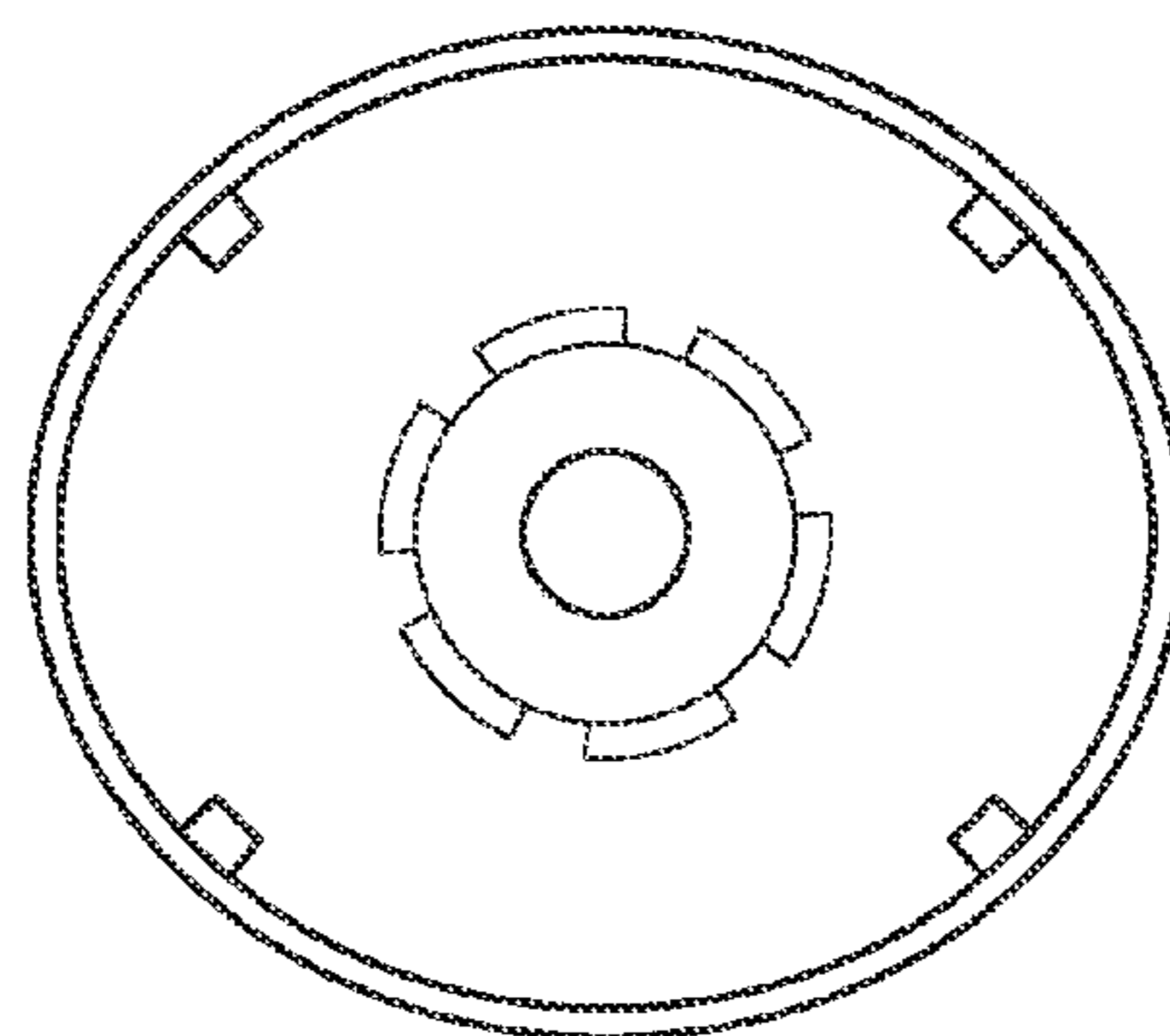


Figure 4