



US00D676550S

(12) **United States Design Patent**
Masters et al.

(10) **Patent No.:** **US D676,550 S**

(45) **Date of Patent:** **** Feb. 19, 2013**

(54) **EXPANDABLE OSTOMY APPLIANCE**

(75) Inventors: **Brock E. Masters**, Toronto (CA); **Tze Wan Pansy Chung**, Fox River Grove, IL (US); **Kimberly R. Hansford**, Winthrop Harbor, IL (US)

(73) Assignee: **Hollister Incorporated**, Libertyville, IL (US)

(**) Term: **14 Years**

(21) Appl. No.: **29/416,492**

(22) Filed: **Mar. 22, 2012**

(51) **LOC (9) Cl.** **24-04**

(52) **U.S. Cl.** **D24/124; D24/118**

(58) **Field of Classification Search** D24/118,
D24/121-126, 108, 189; 604/332, 337-339,
604/342, 344

See application file for complete search history.

(56) **References Cited**

U.S. PATENT DOCUMENTS

2,741,247	A	4/1956	Marsan	
3,403,715	A	10/1968	Trudel	
3,952,727	A	4/1976	Nolan	
4,188,989	A	2/1980	Andersen	
4,359,051	A *	11/1982	Oczkowski	604/344
4,681,574	A *	7/1987	Eastman	604/344
4,701,169	A *	10/1987	Steer	604/344
4,710,182	A *	12/1987	Bryson	604/339
4,723,944	A	2/1988	Jensen	
4,786,285	A *	11/1988	Jambor	604/342
4,799,928	A	1/1989	Crowley	
5,147,340	A *	9/1992	Lavender	604/344
5,167,651	A *	12/1992	Leise et al.	604/339
5,263,946	A	11/1993	Klug	
D345,418	S *	3/1994	Fenton	D24/129
5,346,482	A *	9/1994	Metz et al.	604/338
5,356,399	A *	10/1994	Takahashi	604/339
D354,560	S *	1/1995	Chase	D24/118
5,409,474	A	4/1995	Fleeman-Hardwick	
5,429,625	A *	7/1995	Holmberg	604/338
5,496,296	A *	3/1996	Holmberg	604/336
5,501,677	A *	3/1996	Jensen	604/338
5,618,276	A *	4/1997	Leise et al.	604/336

5,718,696	A *	2/1998	Kollerup	604/339
5,730,736	A *	3/1998	Sawers et al.	604/344
5,792,127	A	8/1998	Marran	
D460,550	S *	7/2002	Falconer	D24/118
6,840,924	B2 *	1/2005	Buglino et al.	604/337
7,008,407	B1	3/2006	Kamp	
D533,659	S *	12/2006	Conrad et al.	D24/118
D569,504	S *	5/2008	Humphries	D24/118
7,559,922	B2	7/2009	Botten	
7,604,622	B2 *	10/2009	Pedersen et al.	604/333
7,879,015	B2	2/2011	Villefrance et al.	
7,879,016	B2	2/2011	Mandzij et al.	
8,105,298	B2 *	1/2012	Mullejans et al.	604/332
8,217,221	B2 *	7/2012	Davies et al.	604/378

(Continued)

FOREIGN PATENT DOCUMENTS

GB	2153231	A	8/1985
WO	9317643	A	3/1993

Primary Examiner — T. Chase Nelson

Assistant Examiner — Michelle E Wilson

(74) *Attorney, Agent, or Firm* — Levenfeld Pearlstein, LLC

(57) **CLAIM**

The ornamental design for an expandable ostomy appliance, as shown and described.

DESCRIPTION

FIG. 1 is a rear perspective view of an expandable ostomy appliance in an expanded state embodying our new design, an adhesive skin barrier being shown in dashed lines and forming no part of the claimed design;

FIG. 2 is a front view thereof;

FIG. 3 is a rear view thereof;

FIG. 4 is a side view thereof as seen from the right-hand side of FIG. 2, the opposite side being a mirror image thereof;

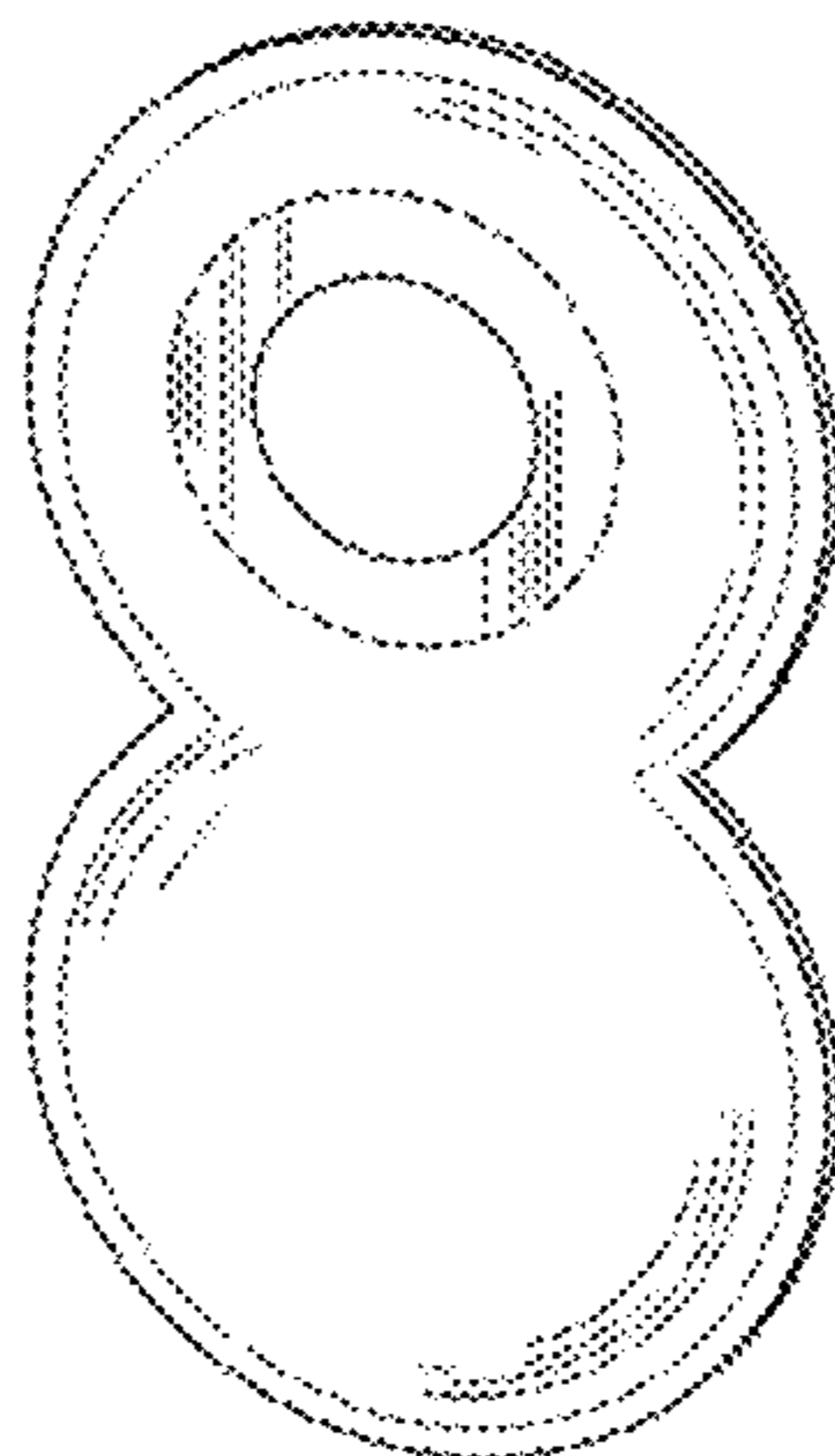
FIG. 5 is a top view thereof, a bottom view being a mirror image thereof;

FIG. 6 is a rear perspective view of the expandable ostomy appliance in a compacted state with its bottom portion tucked in its top portion;

FIG. 7 is a front view of thereof in the compacted state; and, FIG. 8 is a rear view thereof in the compacted state.

The broken line showing of an adhesive skin barrier on the expandable ostomy appliance is included for the purpose of illustrating environment and forms no part of the claimed design.

1 Claim, 3 Drawing Sheets



US D676,550 S

Page 2

U.S. PATENT DOCUMENTS

2005/0033249	A1 *	2/2005	Whiteford	604/338	2011/0213322	A1 *	9/2011	Cramer et al.	604/344
2005/0261646	A1 *	11/2005	Conrad et al.	604/338	2011/0218507	A1 *	9/2011	Andersen et al.	604/338
2005/0273065	A1	12/2005	Lillegaard		2011/0245789	A1 *	10/2011	Buus	604/344
2007/0005033	A1 *	1/2007	Ciok et al.	604/344	2011/0319843	A1 *	12/2011	Andersen et al.	604/332
2007/0255240	A1 *	11/2007	Ciok	604/339	2012/0059341	A1 *	3/2012	Masters	604/339
2010/0217215	A1 *	8/2010	Lykke et al.	604/344	2012/0123363	A1 *	5/2012	Grum-Schwensen	
2011/0160684	A1 *	6/2011	Wiltshire et al.	604/336				et al.	604/342
2011/0178483	A1 *	7/2011	Oberholtzer et al.	604/344					

* cited by examiner

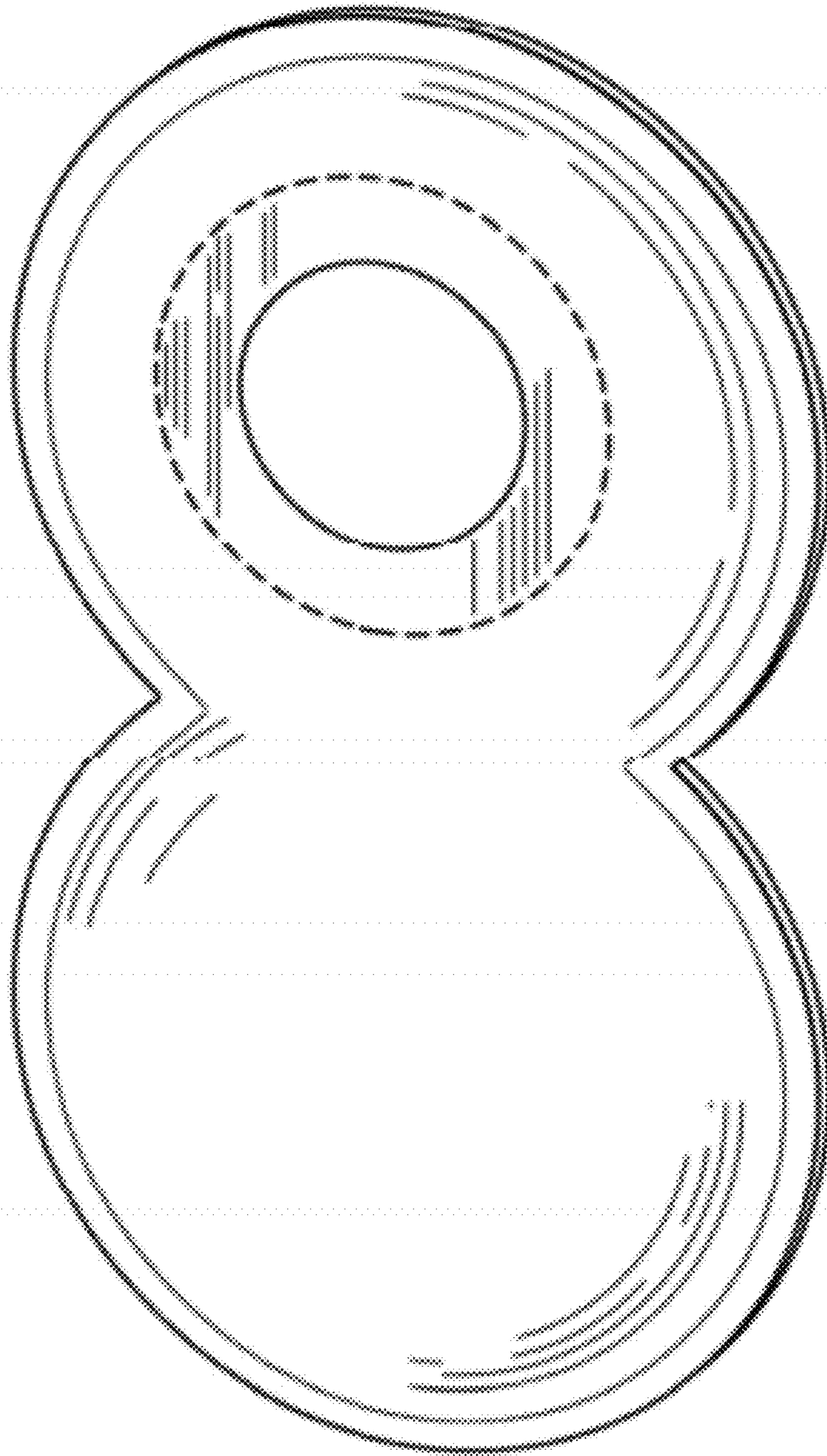


FIG. 1

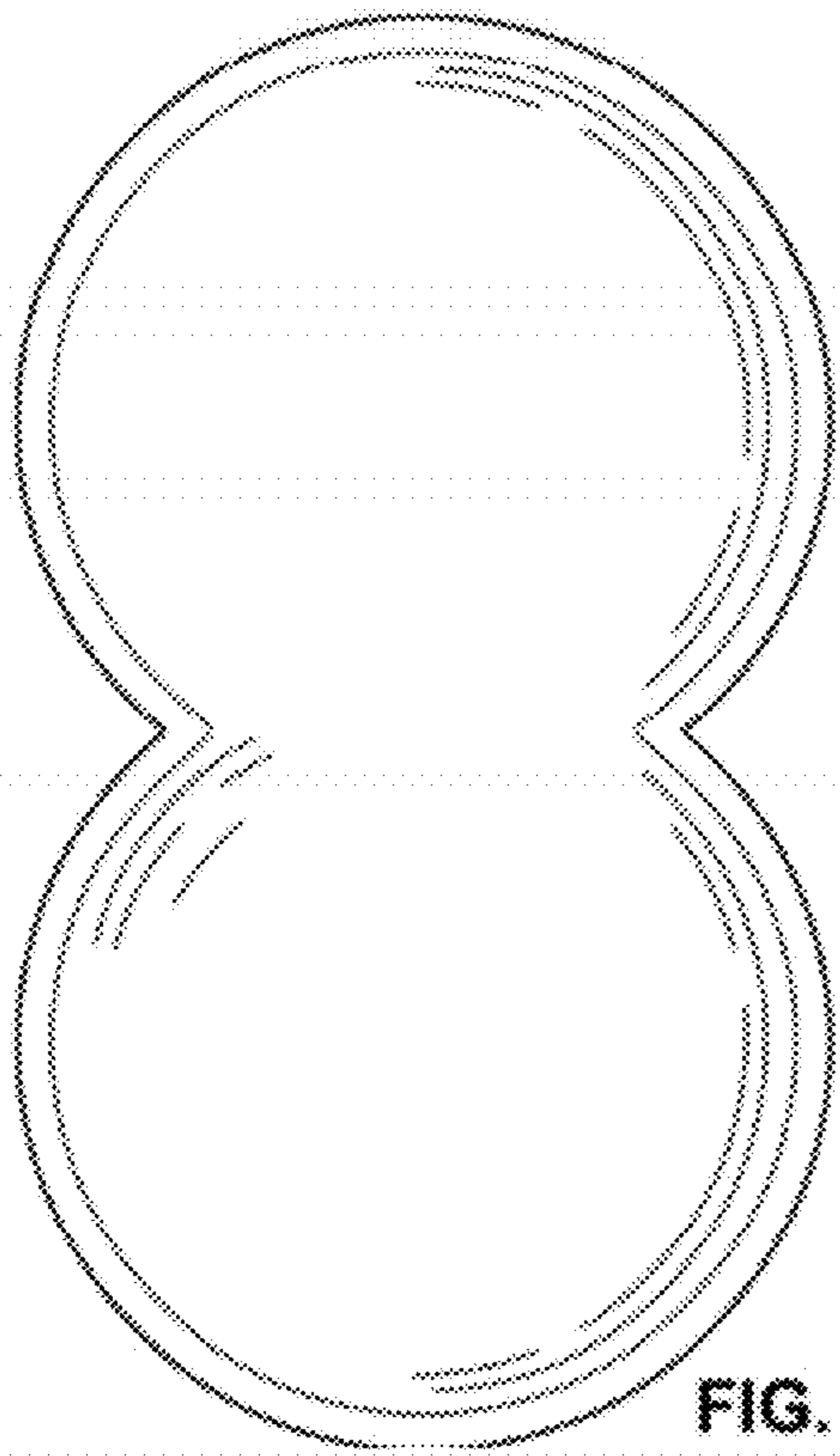


FIG. 2

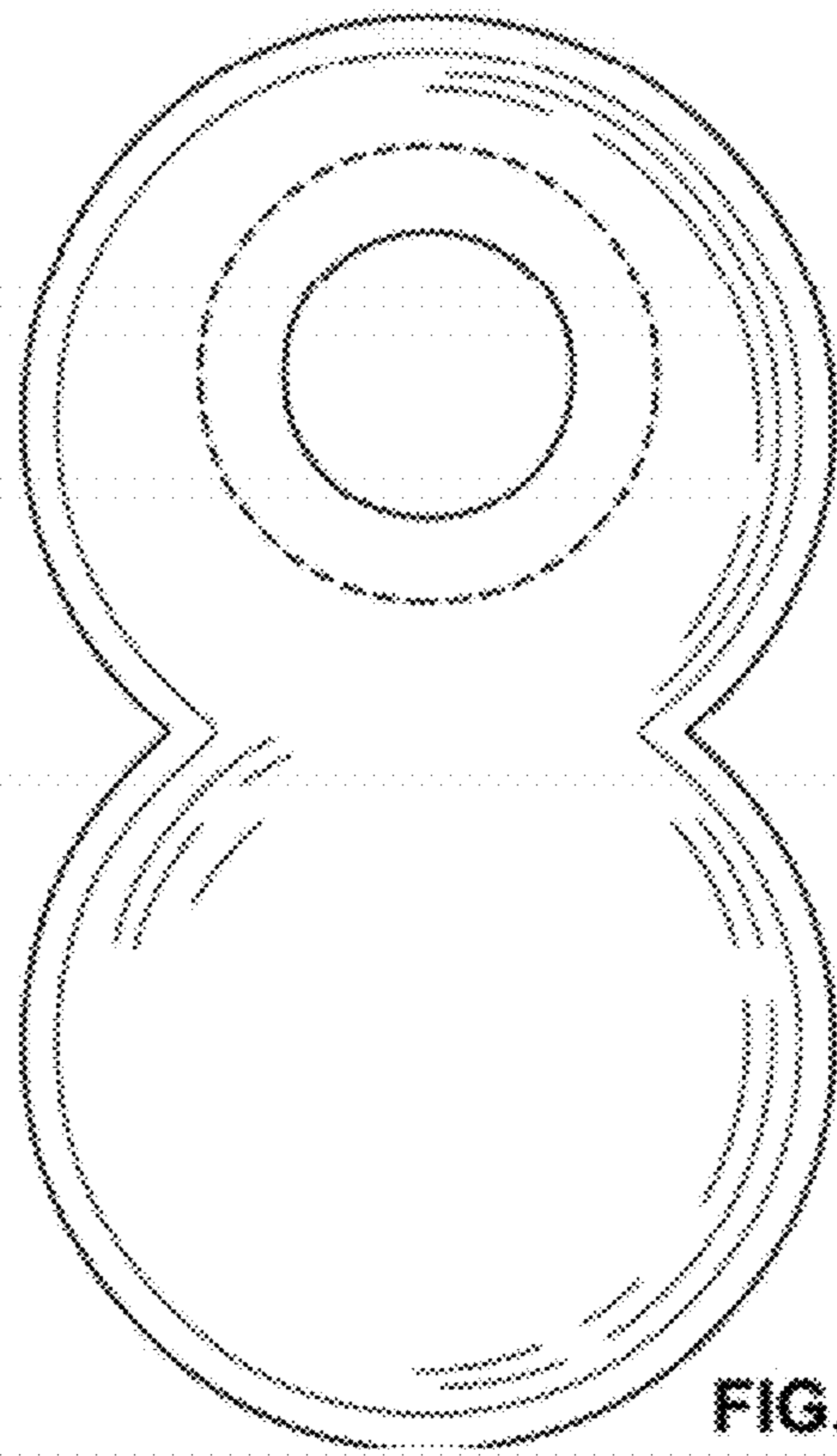


FIG. 3



FIG. 4



FIG. 5

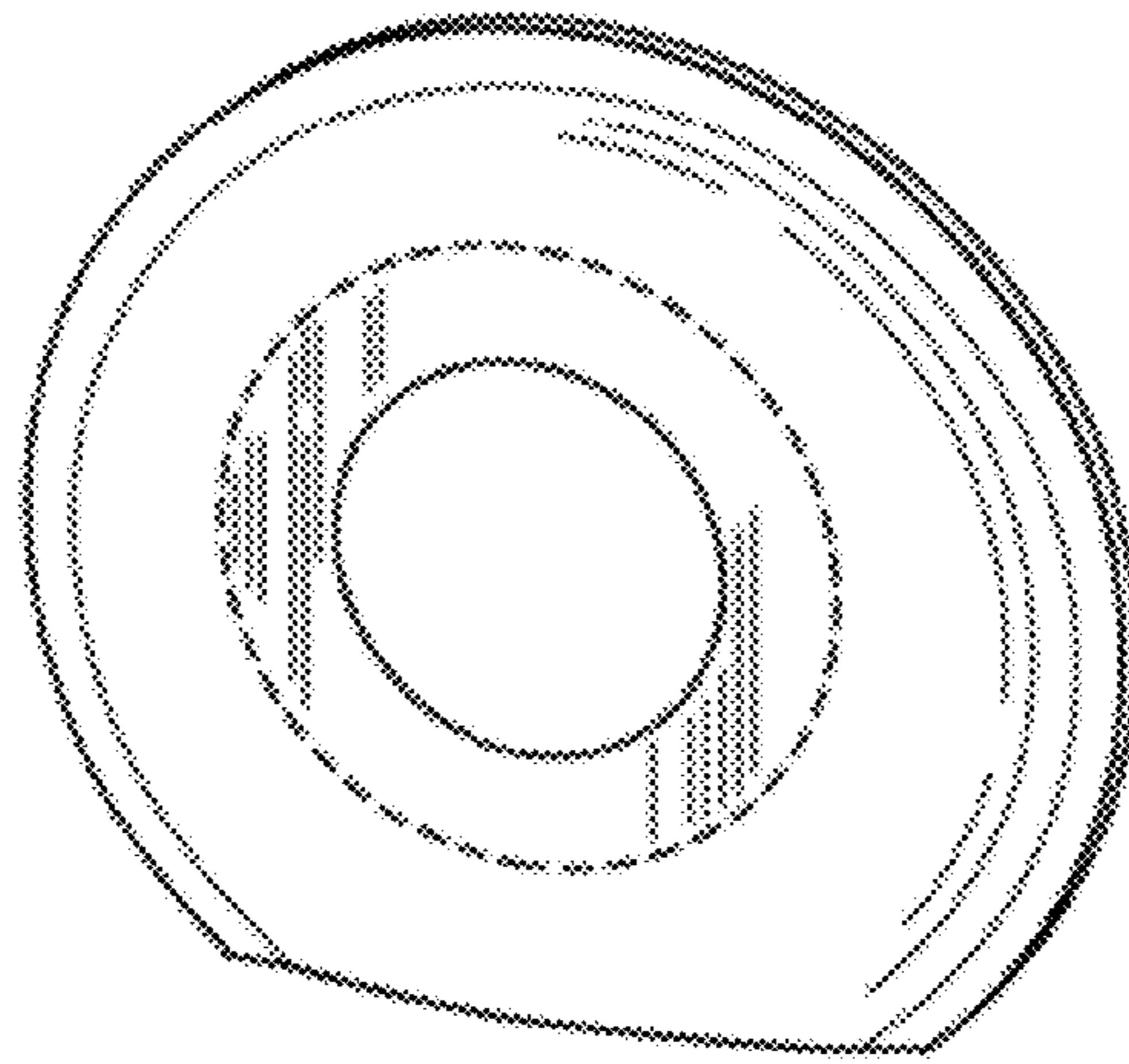


FIG. 6

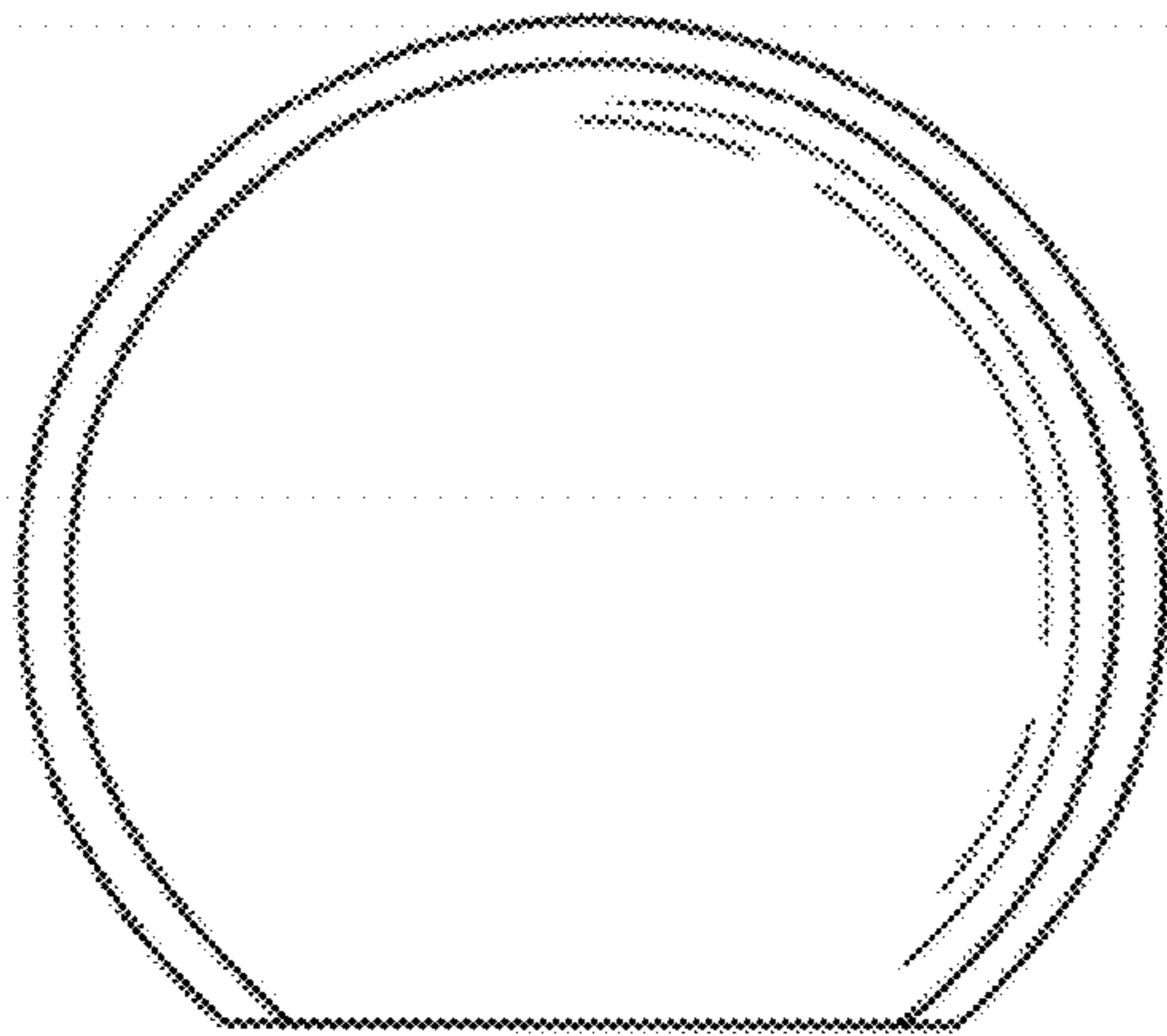


FIG. 7

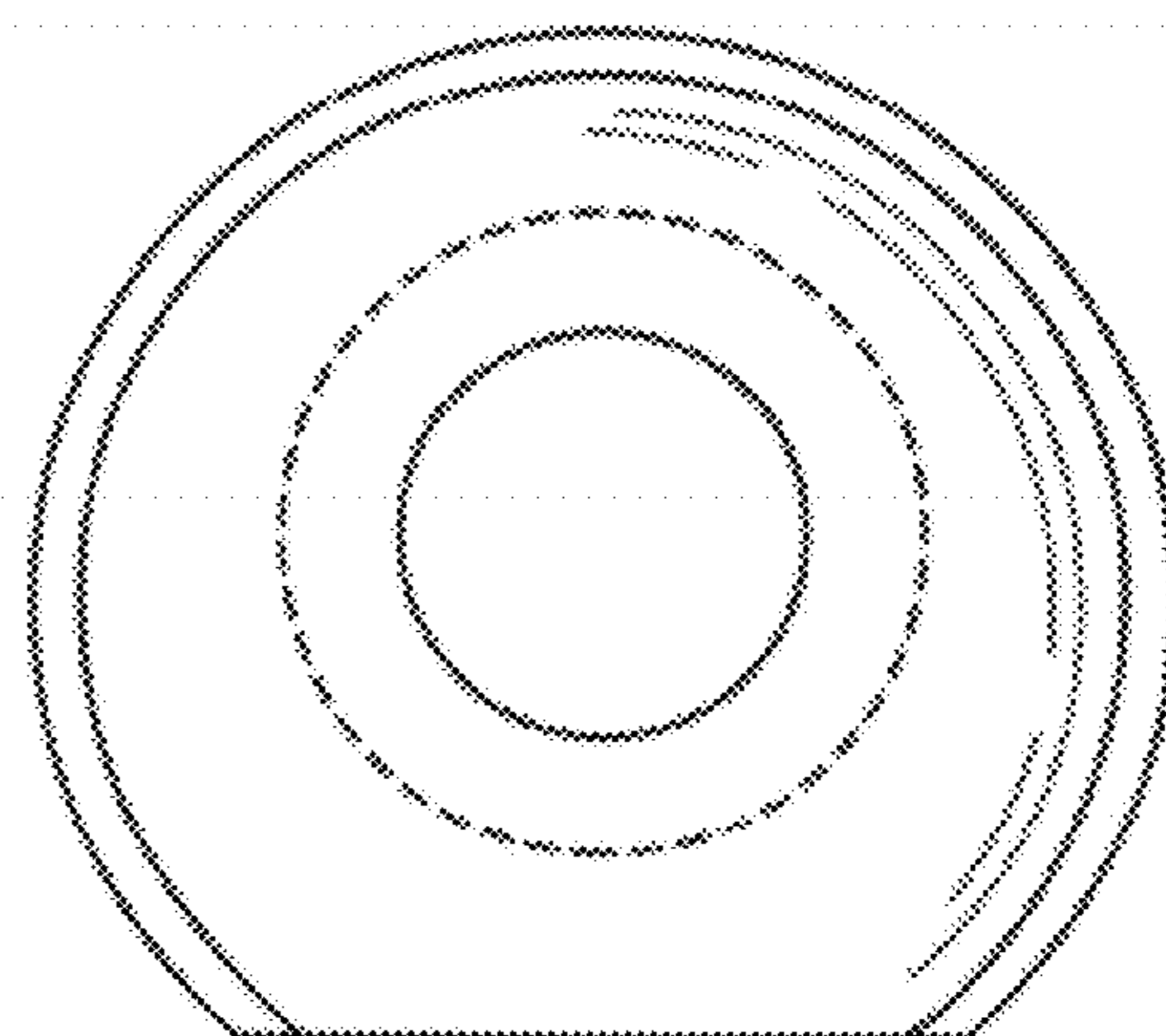


FIG. 8