



US00D676548S

(12) **United States Design Patent**  
**Pala et al.**

(10) **Patent No.:** **US D676,548 S**

(45) **Date of Patent:** **\*\* Feb. 19, 2013**

(54) **MEDICAL INJECTOR PEN**

(75) Inventors: **Trivikrama Bhanoji Pala**, Wayne, NJ (US); **Atul Patel**, Laffin, PA (US); **Richard Cronenberg**, Mahwah, NJ (US); **Michael Quinn**, East Hanover, NJ (US); **Asif Fayyaz**, Paramus, NJ (US)

(73) Assignee: **Becton, Dickinson and Company**, Franklin Lakes, NJ (US)

(\*\*) Term: **14 Years**

(21) Appl. No.: **29/405,940**

(22) Filed: **Nov. 8, 2011**

(51) **LOC (9) Cl.** ..... **24-02**

(52) **U.S. Cl.** ..... **D24/113**

(58) **Field of Classification Search** ..... D24/112-114, D24/133, 130, 127; 606/181, 185; 604/232, 604/187, 158, 164.08, 192, 263, 163, 181, 604/184, 198, 227; D19/41, 43, 45-51  
See application file for complete search history.

(56) **References Cited**

**U.S. PATENT DOCUMENTS**

5,593,388	A	1/1997	Phillips	
5,599,314	A	2/1997	Neill	
5,688,251	A	11/1997	Chanoch	
5,961,495	A	10/1999	Walters et al.	
D479,603	S *	9/2003	Tyce	D24/114
D479,748	S *	9/2003	Tyce	D24/114
D531,308	S	10/2006	Bendek et al.	
D591,793	S *	5/2009	Booker	D19/49
D600,795	S *	9/2009	Tyce	D24/113
D608,392	S *	1/2010	Shibata	D19/50
D610,197	S *	2/2010	Losel	D19/50
D629,846	S *	12/2010	Losel	D19/50

D641,411	S *	7/2011	Tan	D19/50
D642,620	S *	8/2011	Allemeier	D19/50
D646,325	S *	10/2011	Losel	D19/50
D650,012	S *	12/2011	Losel	D19/50
D656,992	S *	4/2012	Briggl	D19/50
D667,501	S *	9/2012	Avenatti	D19/48

**OTHER PUBLICATIONS**

- Co-pending U.S. Appl. No. 29/408,772, filed Dec. 16, 2011.
- Co-pending U.S. Appl. No. 29/408,769, filed Dec. 16, 2011.
- Co-pending U.S. Appl. No. 29/405,935, filed Nov. 8, 2011.
- Co-pending U.S. Appl. No. 29/405,938, filed Nov. 8, 2011.
- Co-pending U.S. Appl. No. 29/405,947, filed Nov. 8, 2011.
- Co-pending U.S. Appl. No. 29/405,943, filed Nov. 8, 2011.
- Co-pending U.S. Appl. No. 29/405,930, filed Nov. 8, 2011.
- Co-pending U.S. Appl. No. 29/405,925, filed Nov. 8, 2011.
- Co-pending U.S. Appl. No. 29/405,945, filed Nov. 8, 2011.
- Co-pending U.S. Appl. No. 29/405,936, filed Nov. 8, 2011.

\* cited by examiner

*Primary Examiner* — David Muller

(74) *Attorney, Agent, or Firm* — The Webb Law Firm

(57) **CLAIM**

The ornamental design for a medical injector pen, as shown and described.

**DESCRIPTION**

FIG. 1 is a perspective view of a medical injector pen having a removable cover engaged therewith in accordance with the present invention.

FIG. 2 is a front view thereof;

FIG. 3 is a rear view thereof;

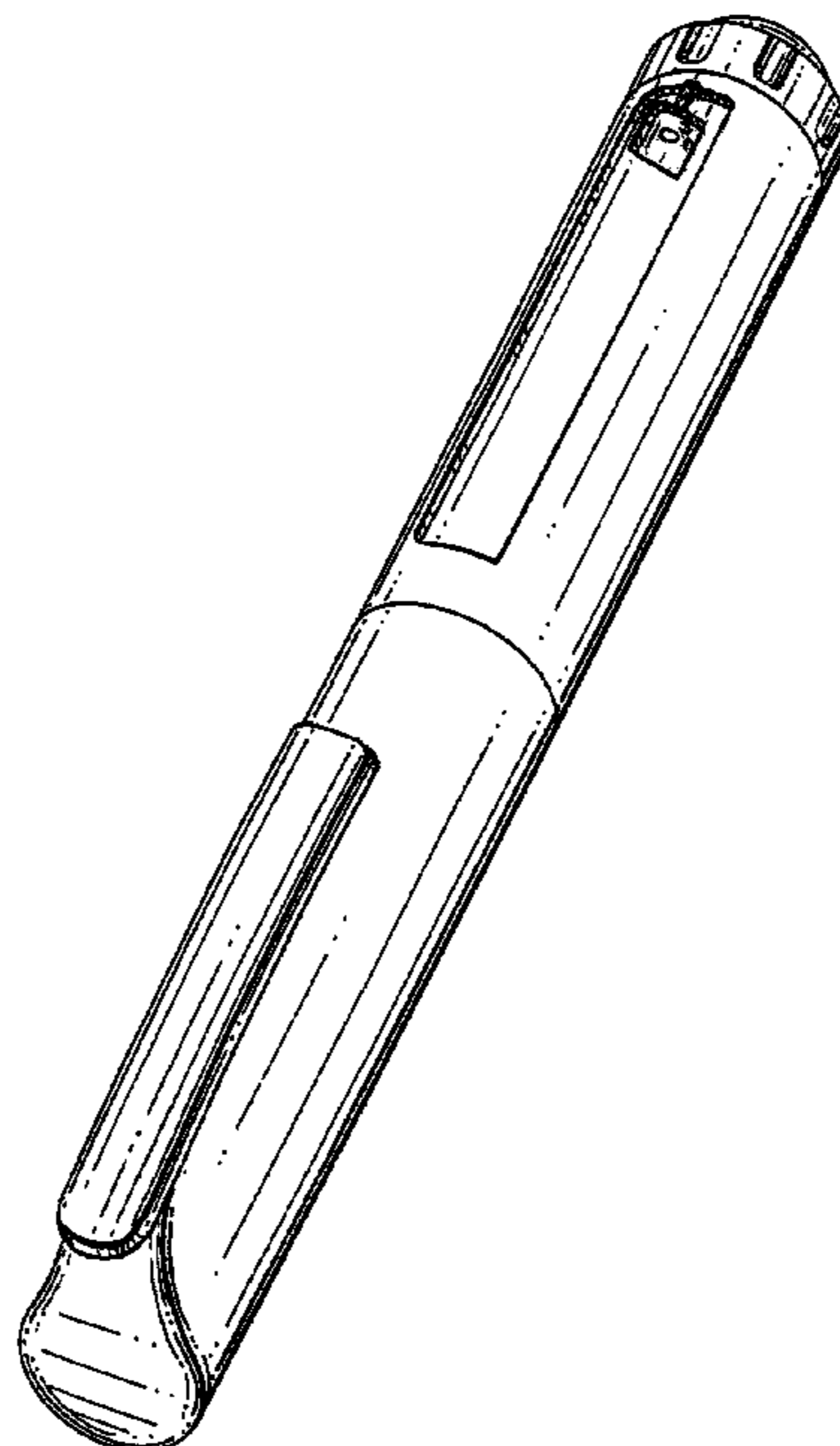
FIG. 4 is a top view thereof;

FIG. 5 is a bottom view thereof;

FIG. 6 is a left side view thereof; and,

FIG. 7 is a right side view thereof.

**1 Claim, 6 Drawing Sheets**



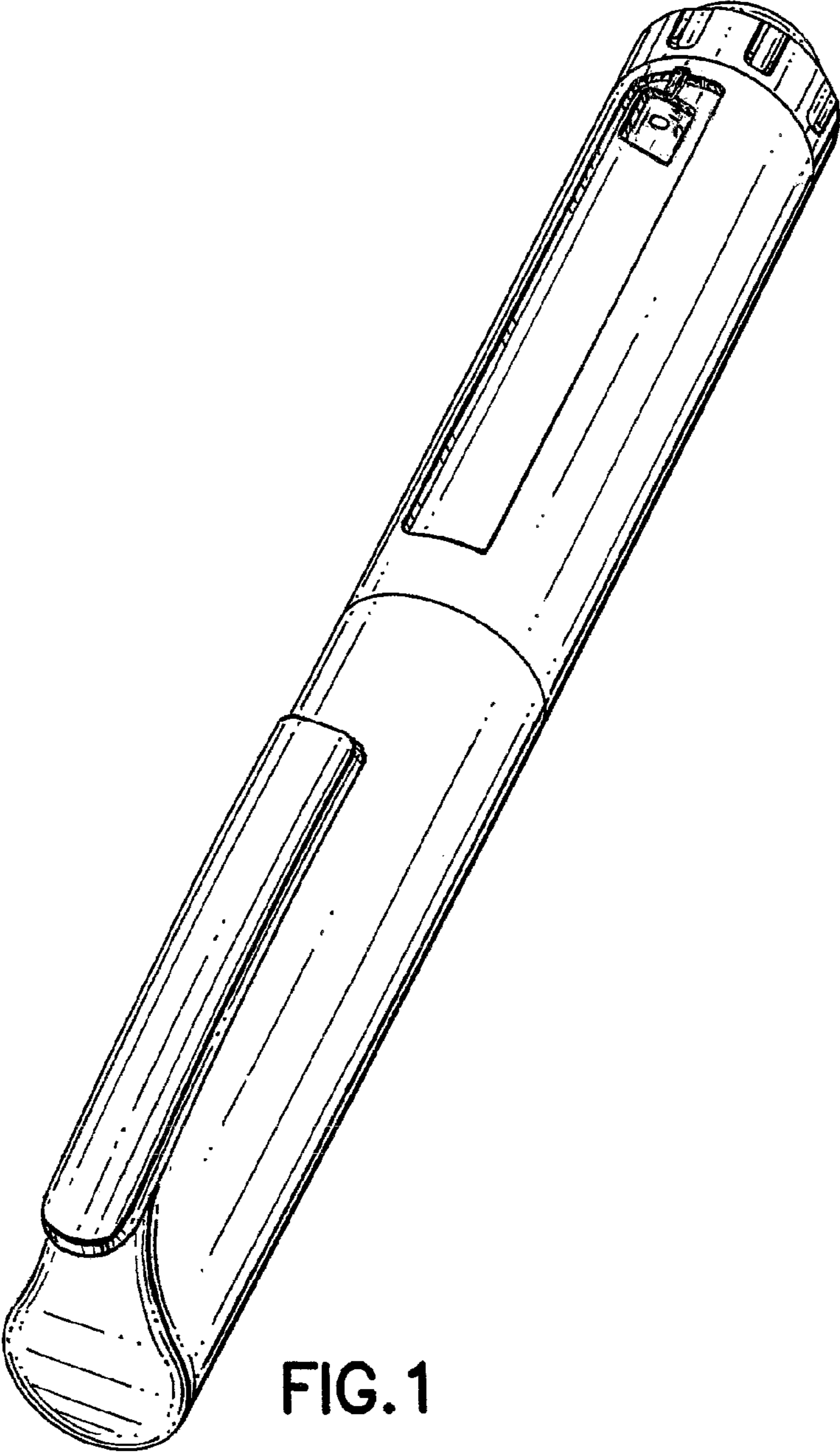


FIG. 1

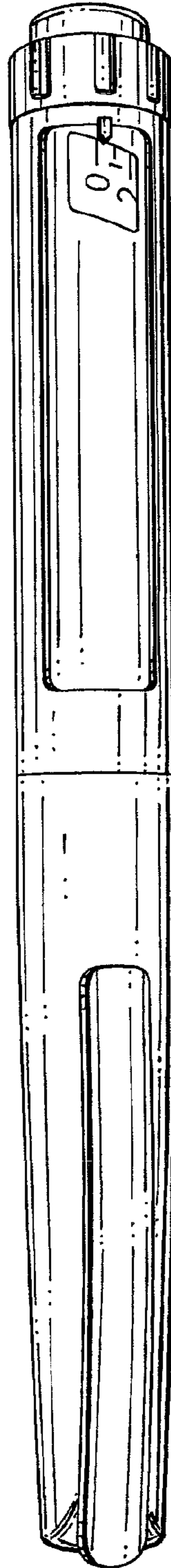


FIG. 2

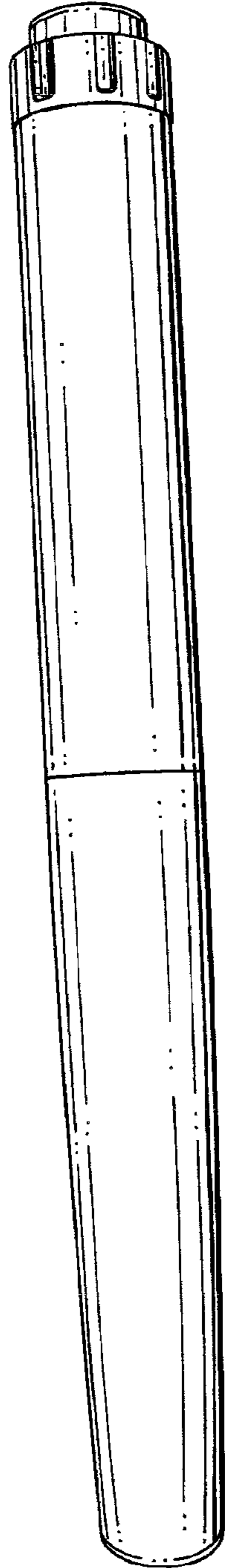


FIG.3

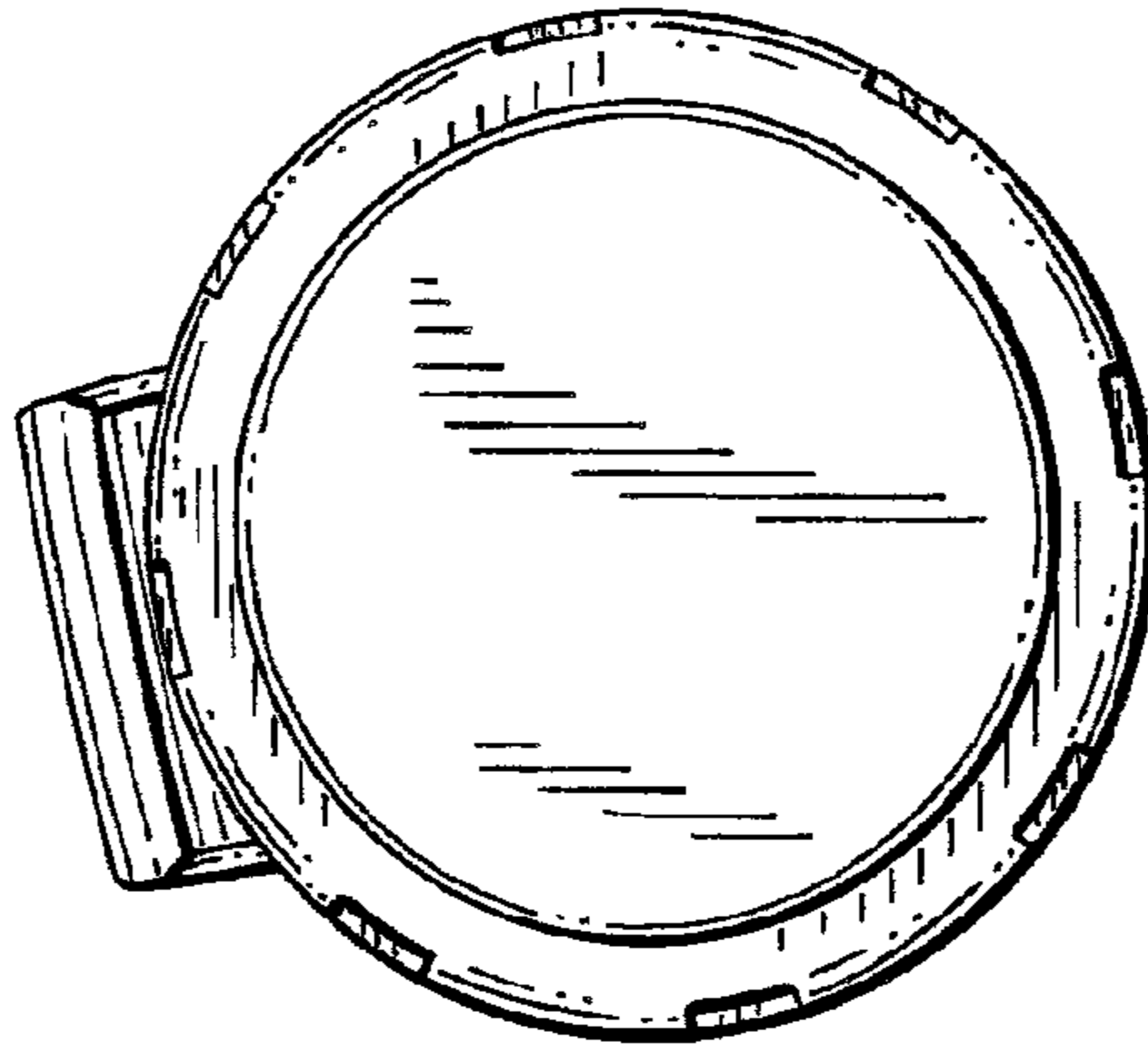


FIG. 4

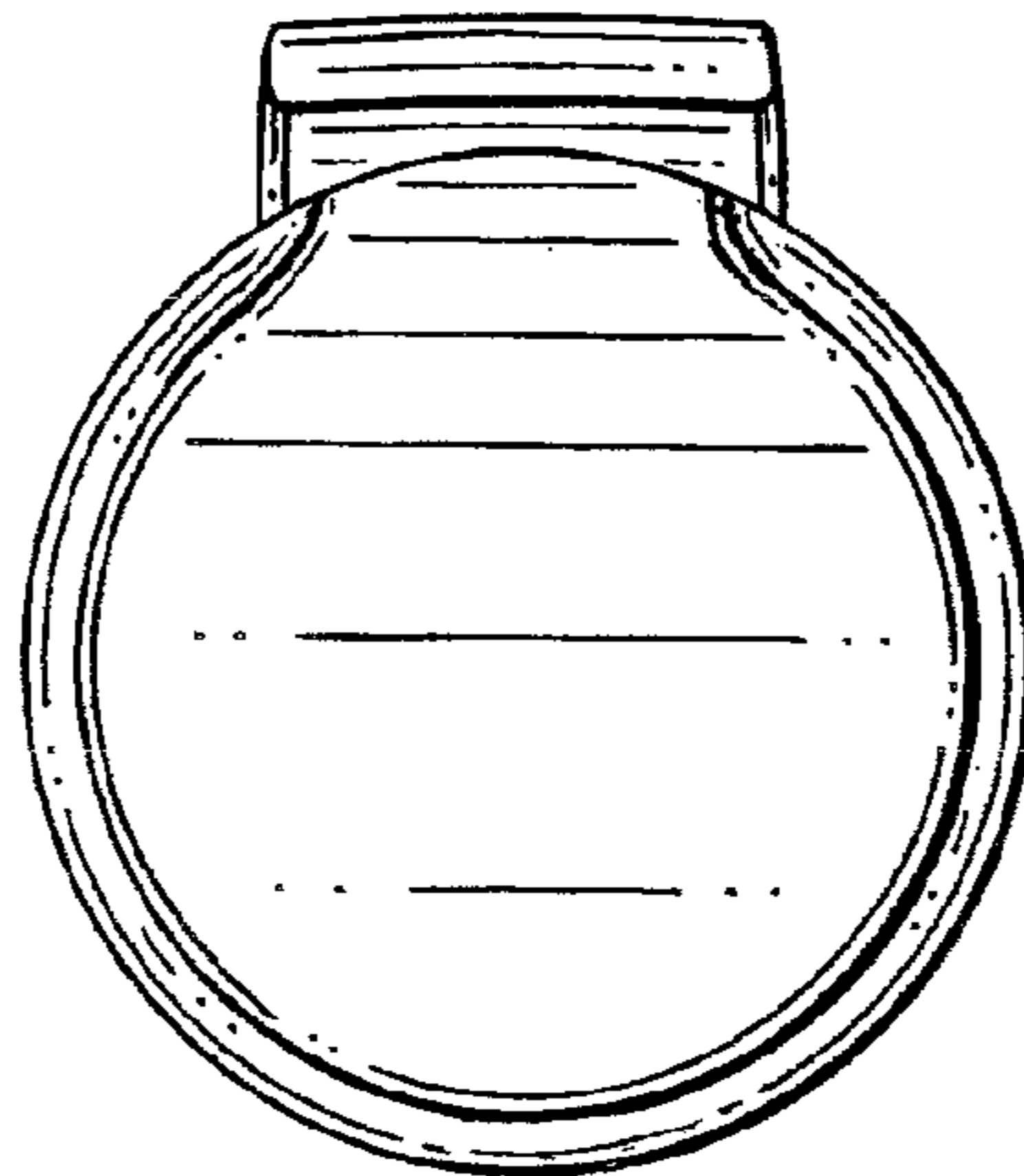


FIG. 5

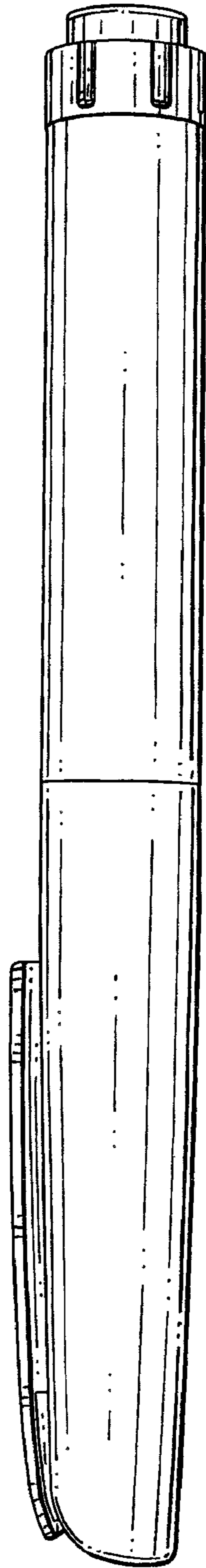


FIG.6

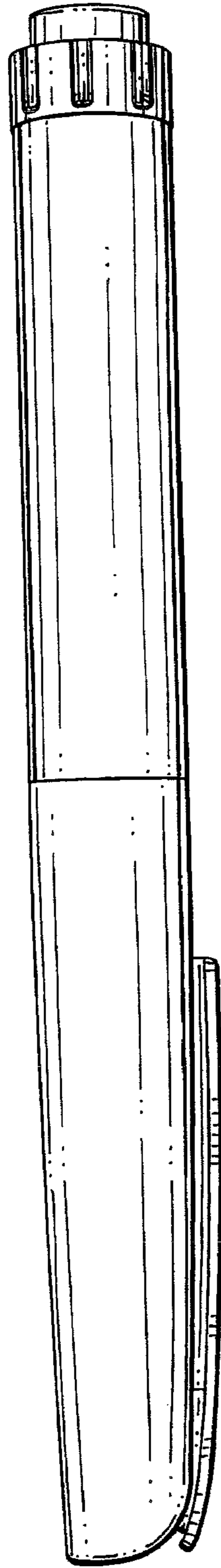


FIG. 7