



US00D676544S

(12) **United States Design Patent**
Blocher

(10) **Patent No.:** **US D676,544 S**

(45) **Date of Patent:** **** Feb. 19, 2013**

(54) **SUCTION PIPE**

(75) Inventor: **Martin Blocher**, Tuttlingen (DE)

(73) Assignee: **Karl Storz GmbH & Co. KG** (DE)

(**) Term: **14 Years**

(21) Appl. No.: **29/364,317**

(22) Filed: **Jun. 22, 2010**

(30) **Foreign Application Priority Data**

Dec. 22, 2009 (EM) 001651142-0014

(51) **LOC (9) Cl.** **24-01**

(52) **U.S. Cl.** **D24/108**

(58) **Field of Classification Search** D24/108,
D24/129, 130, 133, 146, 147, 137, 138; 251/149.5;
600/132, 154, 156, 159; 604/21, 22, 27,
604/119; 606/108, 127, 128
See application file for complete search history.

(56) **References Cited**

U.S. PATENT DOCUMENTS

1,830,674	A *	11/1931	Peck	285/101
3,232,578	A *	2/1966	Cousins	251/302
3,643,653	A *	2/1972	Takahashi et al.	600/129
4,270,525	A *	6/1981	Furihata	600/159
4,350,148	A *	9/1982	Sivak et al.	604/27
4,402,313	A *	9/1983	Yabe	600/132
4,414,608	A *	11/1983	Furihata	362/574
4,496,342	A *	1/1985	Banko	604/27
4,527,551	A *	7/1985	Ishii	600/132
4,567,882	A *	2/1986	Heller	600/249
4,639,772	A *	1/1987	Sluyter et al.	348/73
4,715,360	A *	12/1987	Akui et al.	600/154
4,919,621	A *	4/1990	Ams	439/191

5,133,336	A *	7/1992	Savitt et al.	600/132
5,209,219	A *	5/1993	Hollobaugh	600/154
5,518,022	A *	5/1996	Ziehm	137/15.01
5,846,186	A *	12/1998	Upsher	600/185
6,428,510	B1 *	8/2002	Kadan	604/164.04
7,588,562	B2 *	9/2009	Toomey et al.	604/403
8,206,357	B2 *	6/2012	Bettuchi	604/167.01
2002/0040180	A1 *	4/2002	Hirano	600/132
2003/0163025	A1 *	8/2003	Kaji	600/132
2004/0092862	A1 *	5/2004	Pasqualucci	604/27
2006/0276688	A1 *	12/2006	Surti	600/154
2008/0234694	A1 *	9/2008	Stegfeldt et al.	606/108
2009/0105740	A1 *	4/2009	Lee et al.	606/177

* cited by examiner

Primary Examiner — Ian Simmons

Assistant Examiner — Shannon Weekley

(74) *Attorney, Agent, or Firm* — St. Onge Steward Johnston & Reens LLC

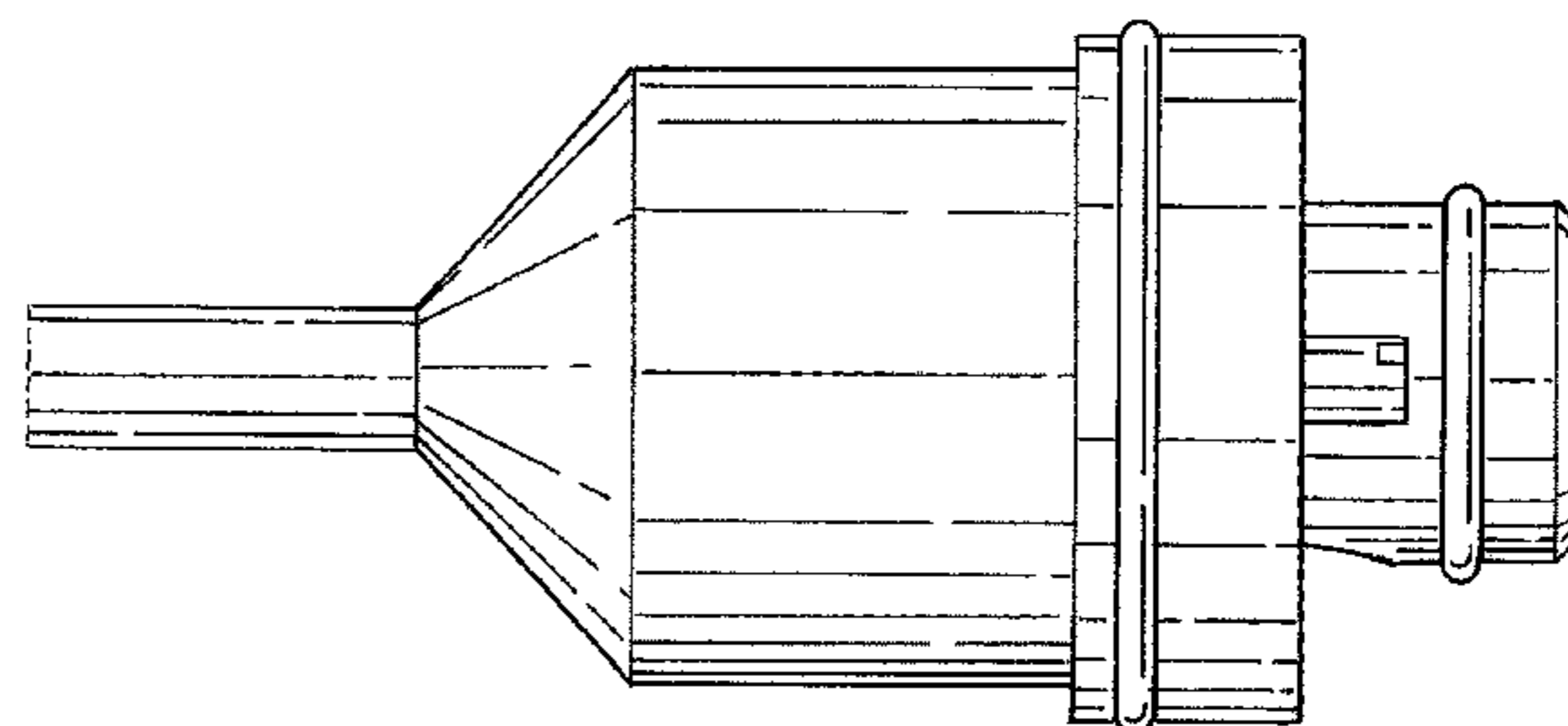
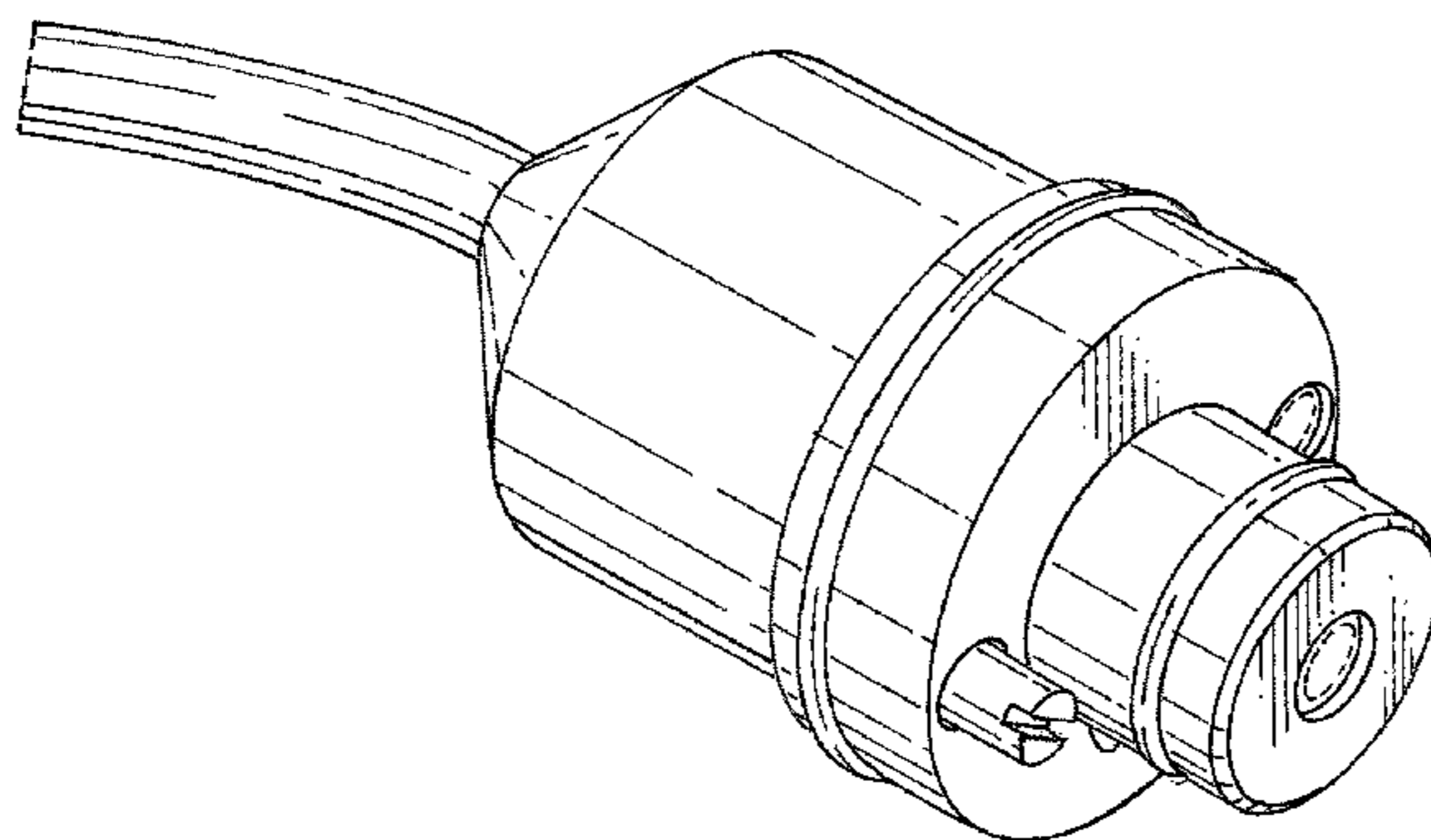
(57) **CLAIM**

The ornamental design for a suction pipe, as shown and described.

DESCRIPTION

FIG. 1 is a left side perspective view of a suction pipe in accordance with the new design;
FIG. 2 is a left side elevation view thereof;
FIG. 3 is a top plan view thereof;
FIG. 4 is a right side elevation view thereof;
FIG. 5 is a bottom plan view thereof;
FIG. 6 is a front elevation view thereof; and,
FIG. 7 is a rear elevation view thereof.
The broken lines shown in FIGS. 1-7 are for illustration purposes only and form no part of the claimed design.

1 Claim, 6 Drawing Sheets



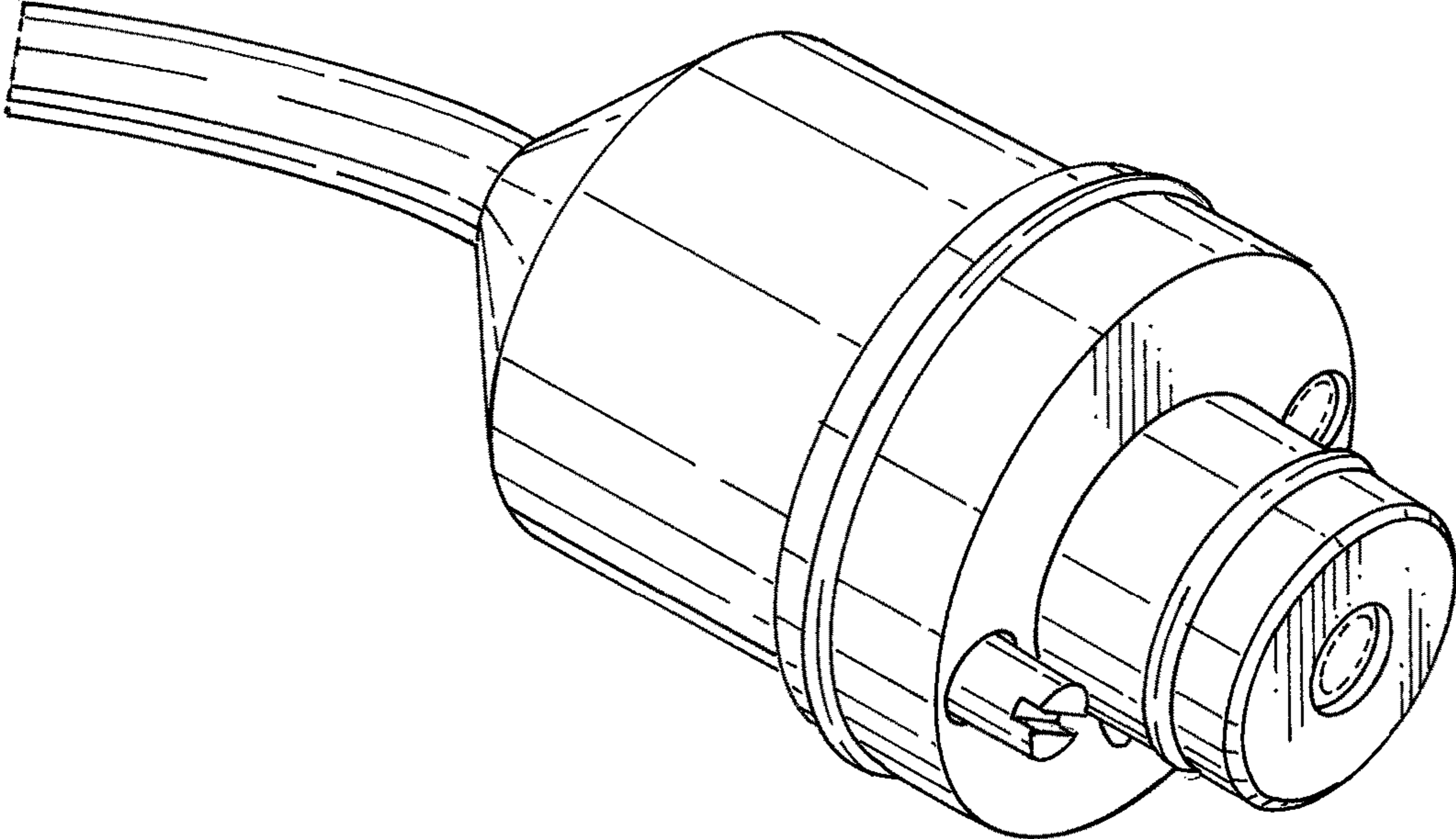


FIG. 1

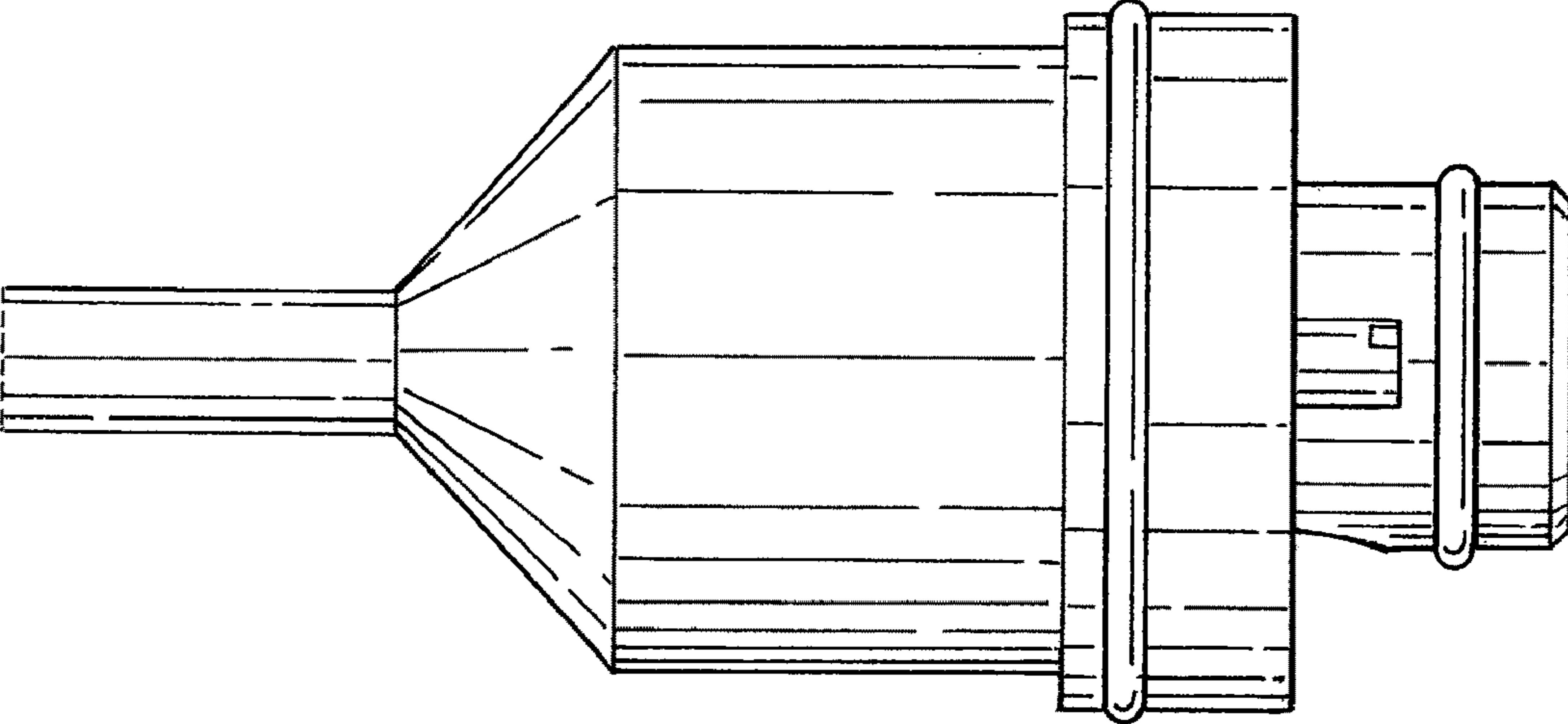


FIG. 2

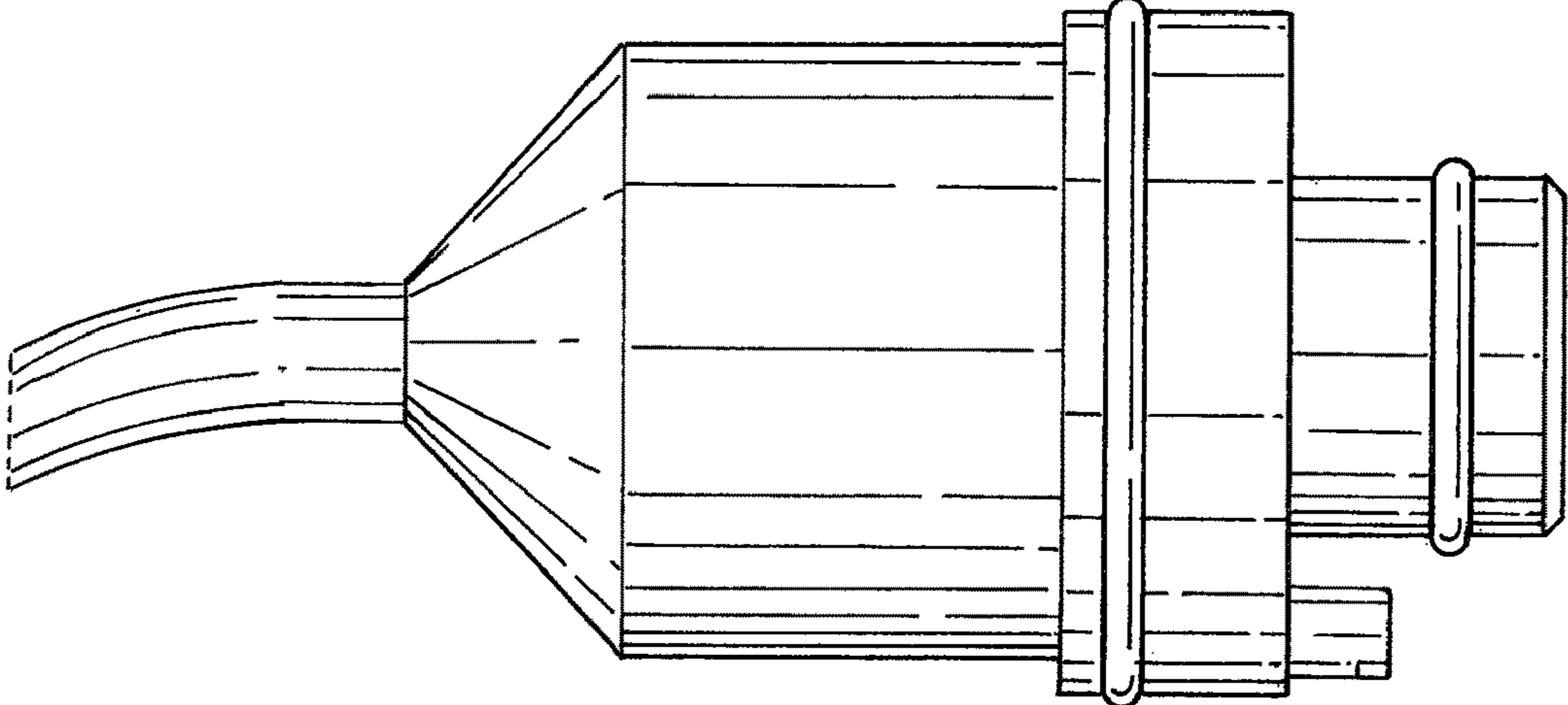


FIG. 3

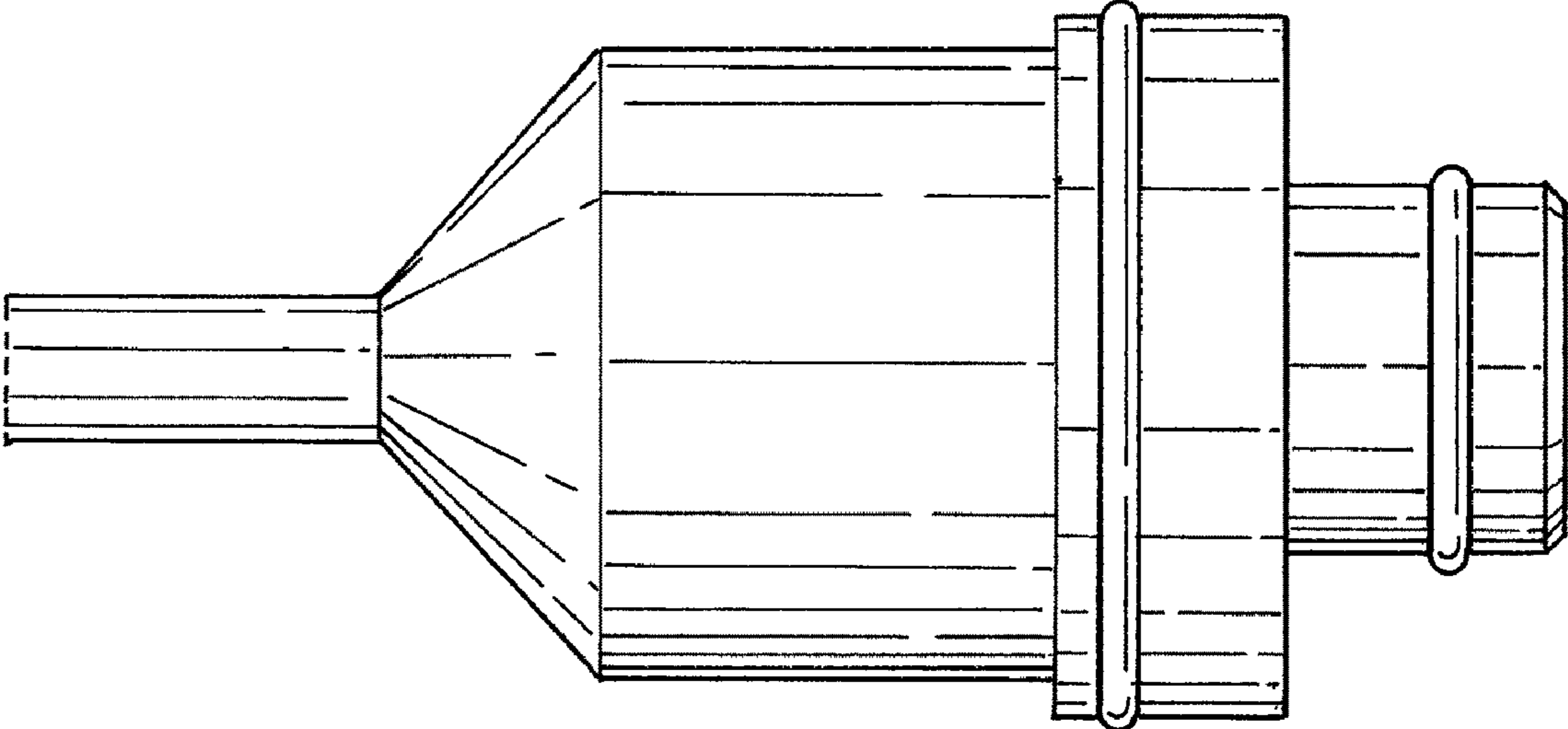


FIG. 4

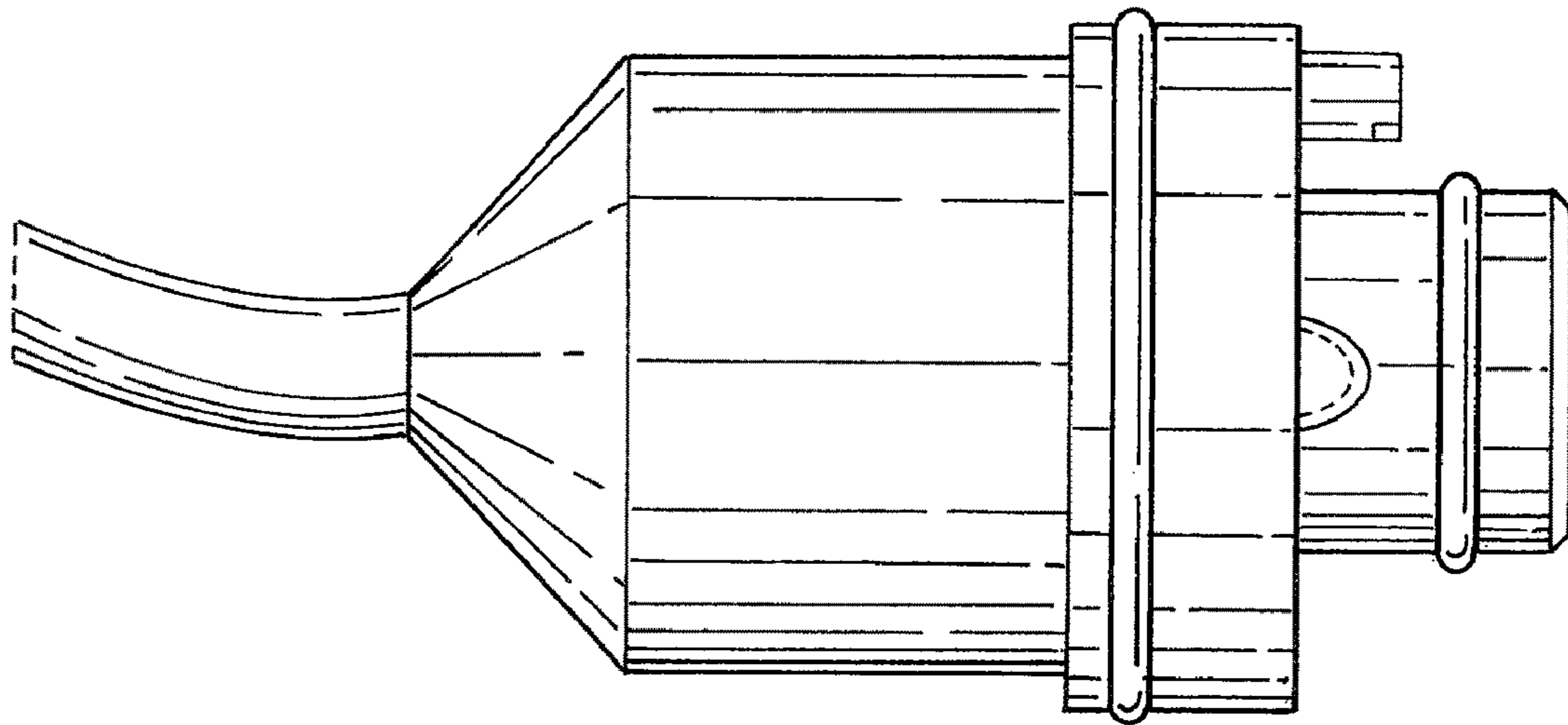


FIG. 5

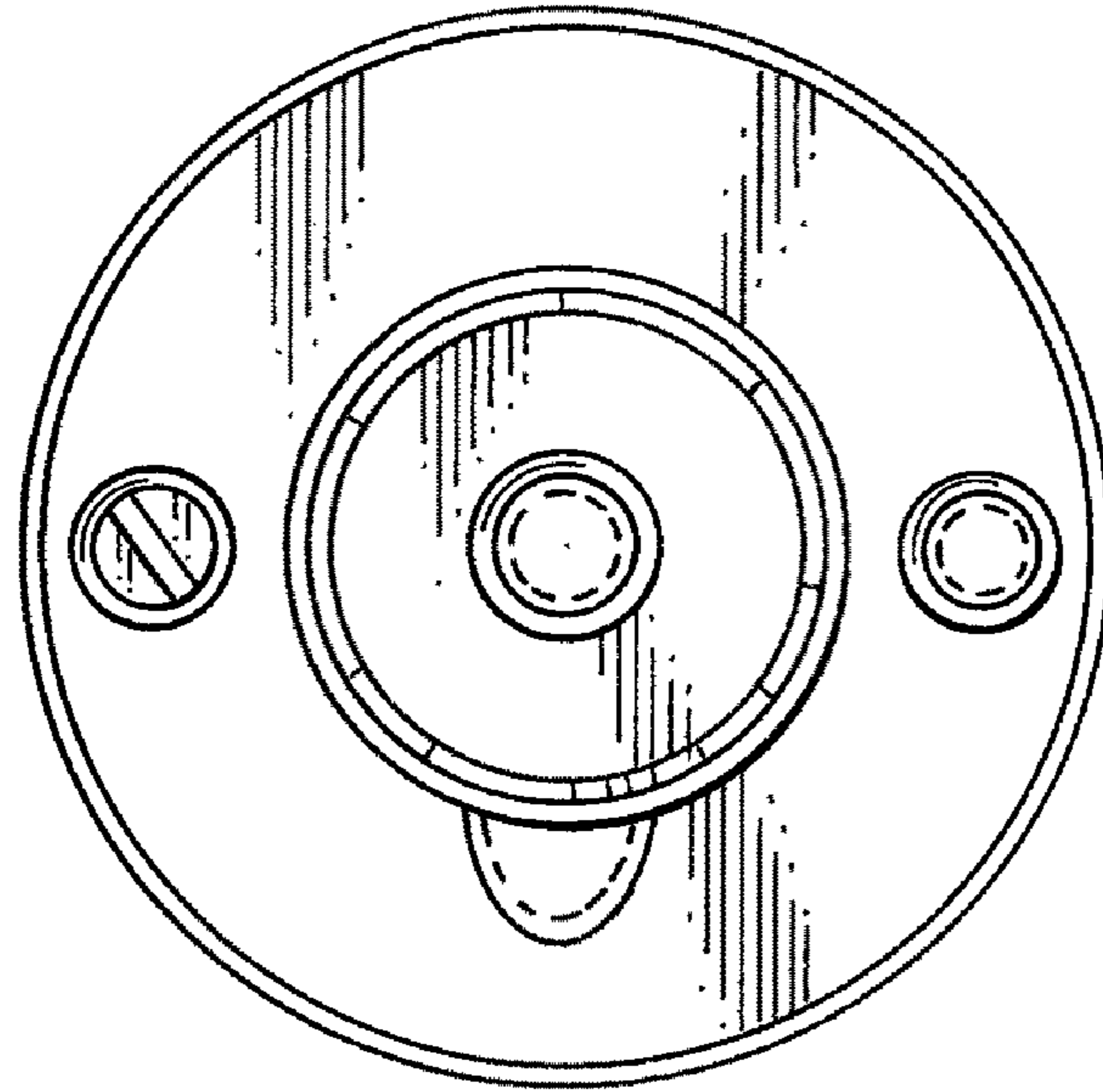


FIG. 6

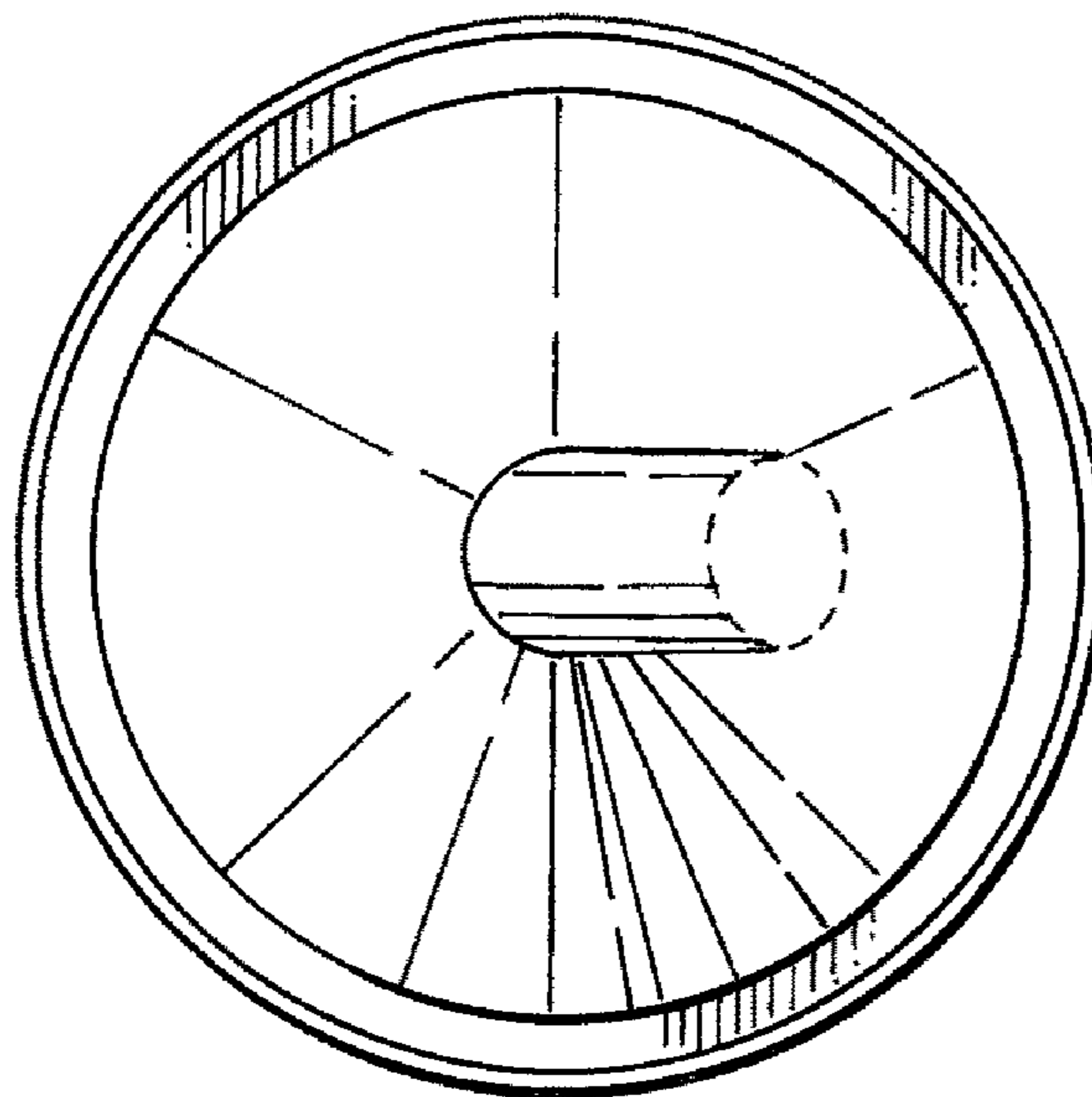


FIG. 7