



US00D676543S

(12) **United States Design Patent**
Hiner et al.

(10) **Patent No.:** **US D676,543 S**
(45) **Date of Patent:** **** Feb. 19, 2013**

(54) **LAMINAR FLOW RADIAL CEILING FAN**
(75) Inventors: **Nicholas A. Hiner**, Georgetown, IN
(US); **Richard Halsall**, Georgetown, IN
(US)
(73) Assignee: **Exhale Fans LLC**, Georgetown, IN
(US)
(**) Term: **14 Years**

2,632,598	A *	3/1953	Wales, Jr.	416/4
3,001,056	A *	9/1961	Spear	392/347
4,360,751	A *	11/1982	Arnold et al.	310/60 R
4,657,485	A *	4/1987	Hartwig	416/247 R
4,725,752	A *	2/1988	Shiraki et al.	310/268
5,192,183	A *	3/1993	Wilkinson	415/90
5,860,788	A *	1/1999	Sorensen	416/189
6,168,517	B1 *	1/2001	Cook	454/269
6,579,063	B2 *	6/2003	Stairs et al.	416/169 A
D559,969	S *	1/2008	Hammock, Jr.	D23/388
D652,133	S *	1/2012	Hiner et al.	D23/377

(21) Appl. No.: **29/404,123**
(22) Filed: **Oct. 17, 2011**

Related U.S. Application Data

(62) Division of application No. 29/341,859, filed on Aug. 13, 2009, now Pat. No. Des. 652,133.
(51) **LOC (9) Cl.** **23-04**
(52) **U.S. Cl.** **D23/377; D23/385; D23/411**
(58) **Field of Classification Search** D23/328, D23/335, 336, 341, 355, 370, 377, 379, 385, D23/386, 411-414; 416/5, 170 R, 93 R, 416/210 R, 223 R, 243, 247 R, 189, 4, 169 A; 310/60 R, 268; 392/347; 415/90; 454/269
See application file for complete search history.

(56) **References Cited**

U.S. PATENT DOCUMENTS

D112,847 S * 1/1939 Roffy D23/377
D142,959 S * 11/1945 Lee D23/414

* cited by examiner

Primary Examiner — Janice Seeger

Assistant Examiner — Martie K Holtje

(74) *Attorney, Agent, or Firm* — Scott Houtteman; Houtteman Law LLC

(57) **CLAIM**

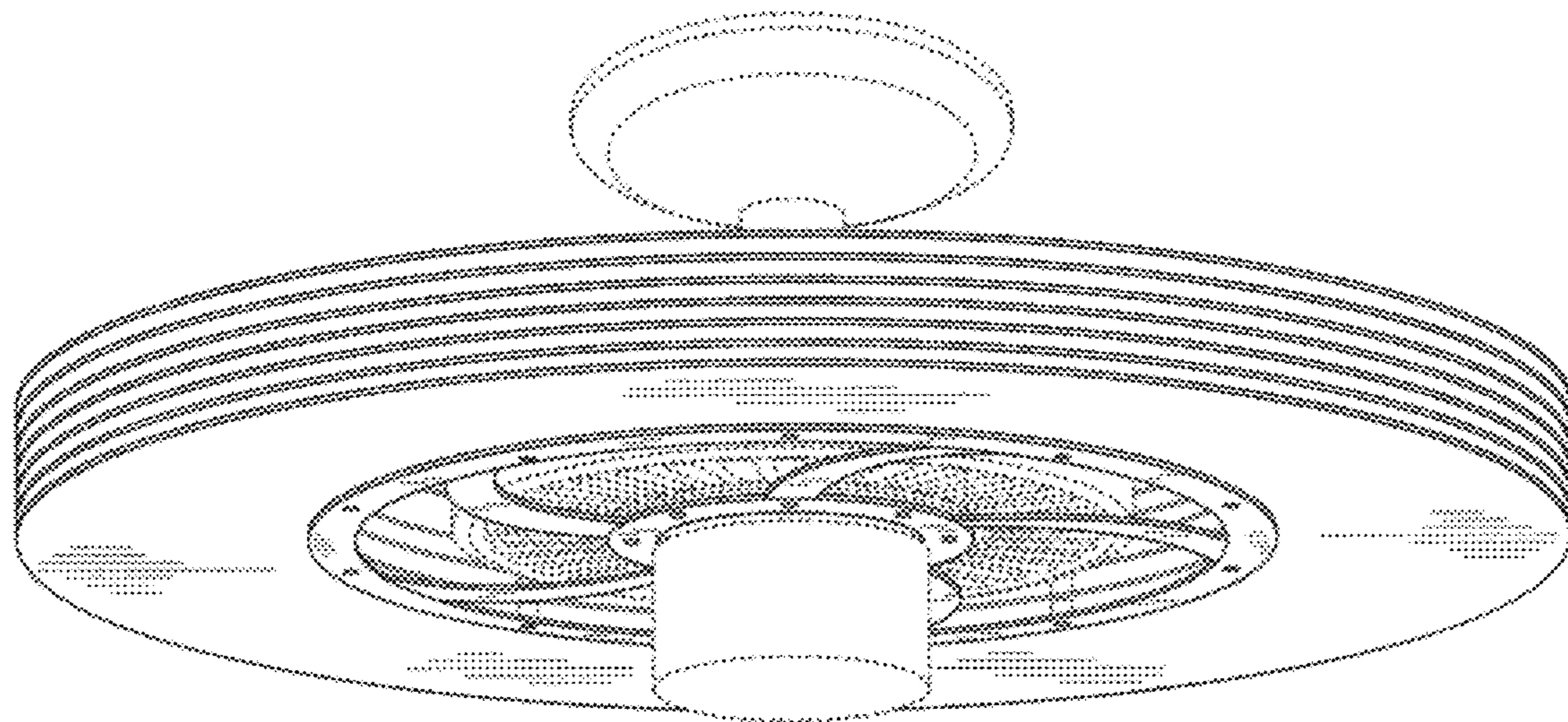
The ornamental design for a laminar flow radial ceiling fan, as shown and described.

DESCRIPTION

FIG. 1 is a bottom perspective view of a laminar flow radial ceiling fan showing our new design; FIG. 2 is a side elevational view thereof; FIG. 3 is a bottom plan view thereof; and, FIG. 4 is a top plan view thereof.

The drive motor and support structure depicted by broken lines in FIGS. 1 and 2 have been included for the purpose of illustrating environmental structure and form no part of the claimed design.

1 Claim, 4 Drawing Sheets



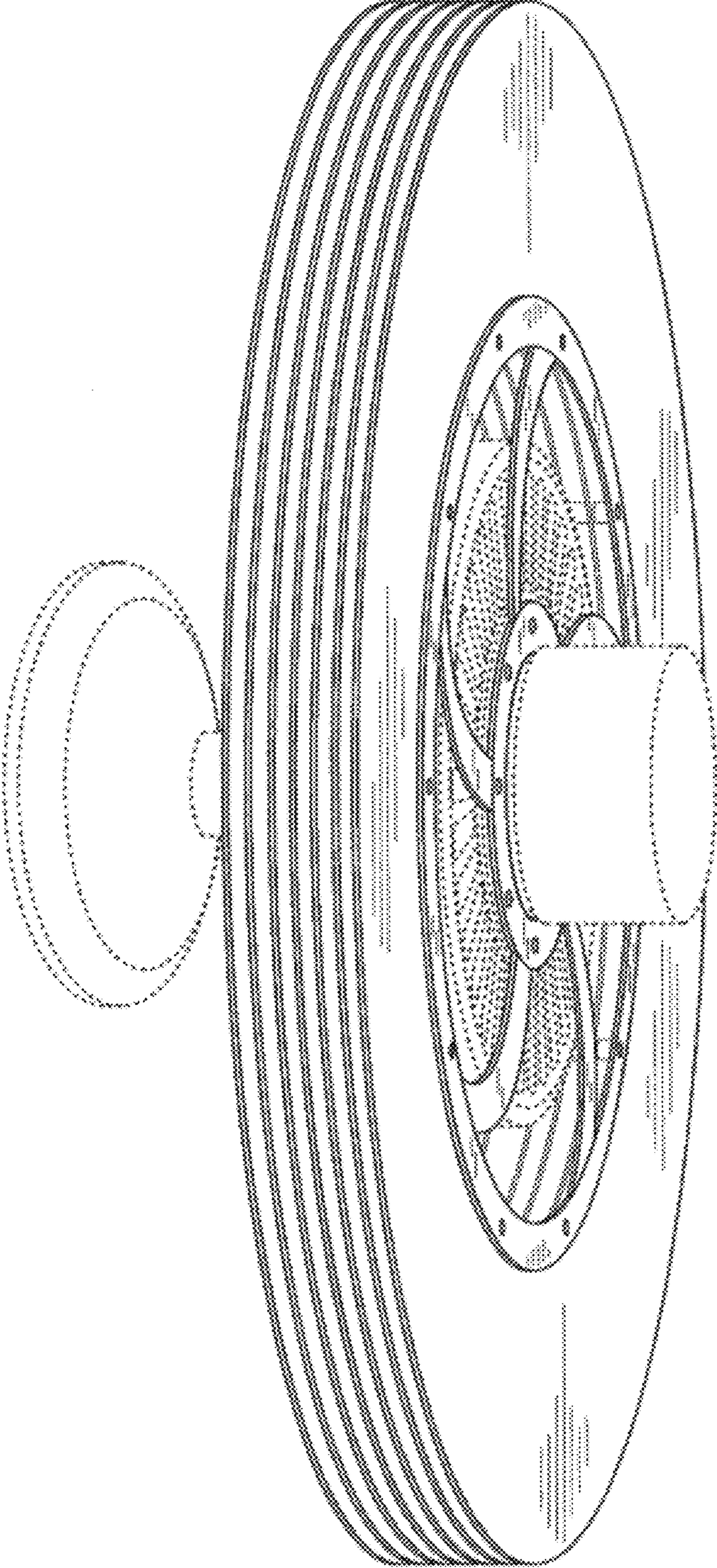


FIG. 1

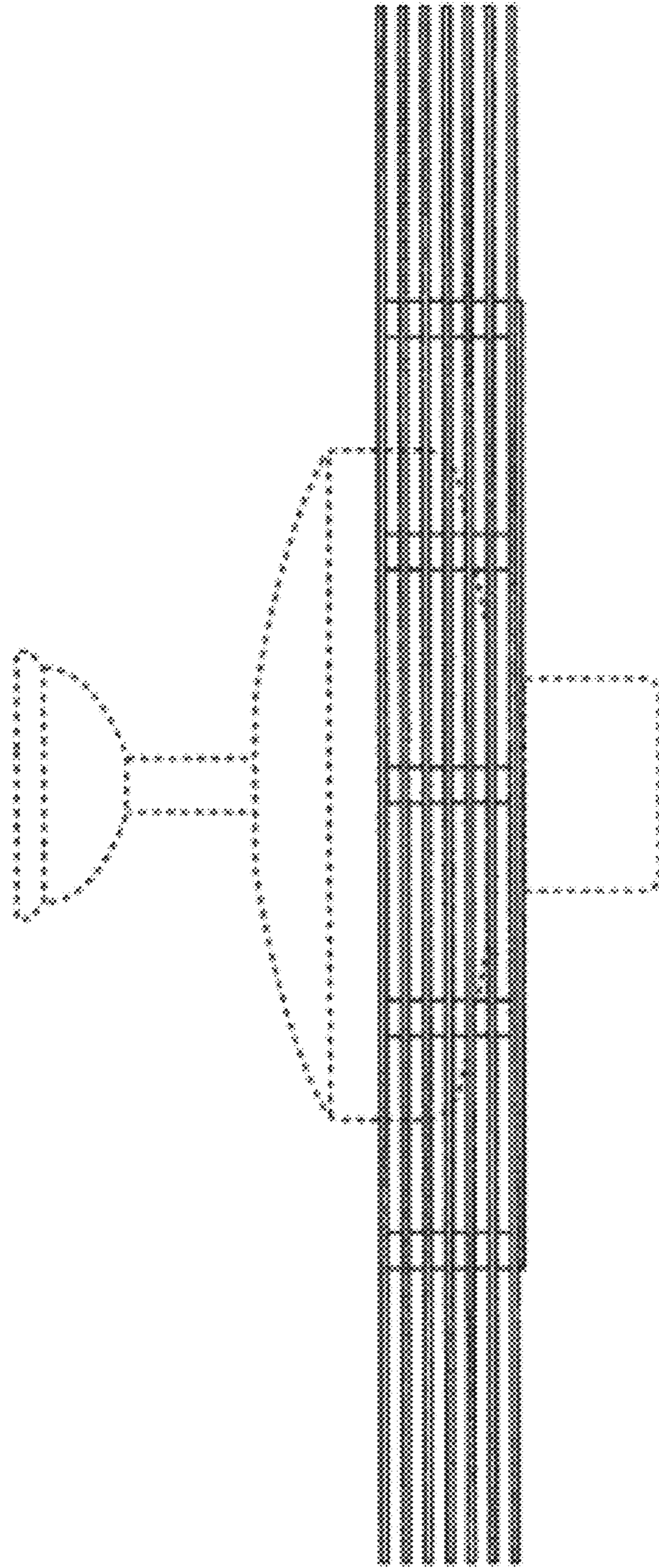


FIG. 2

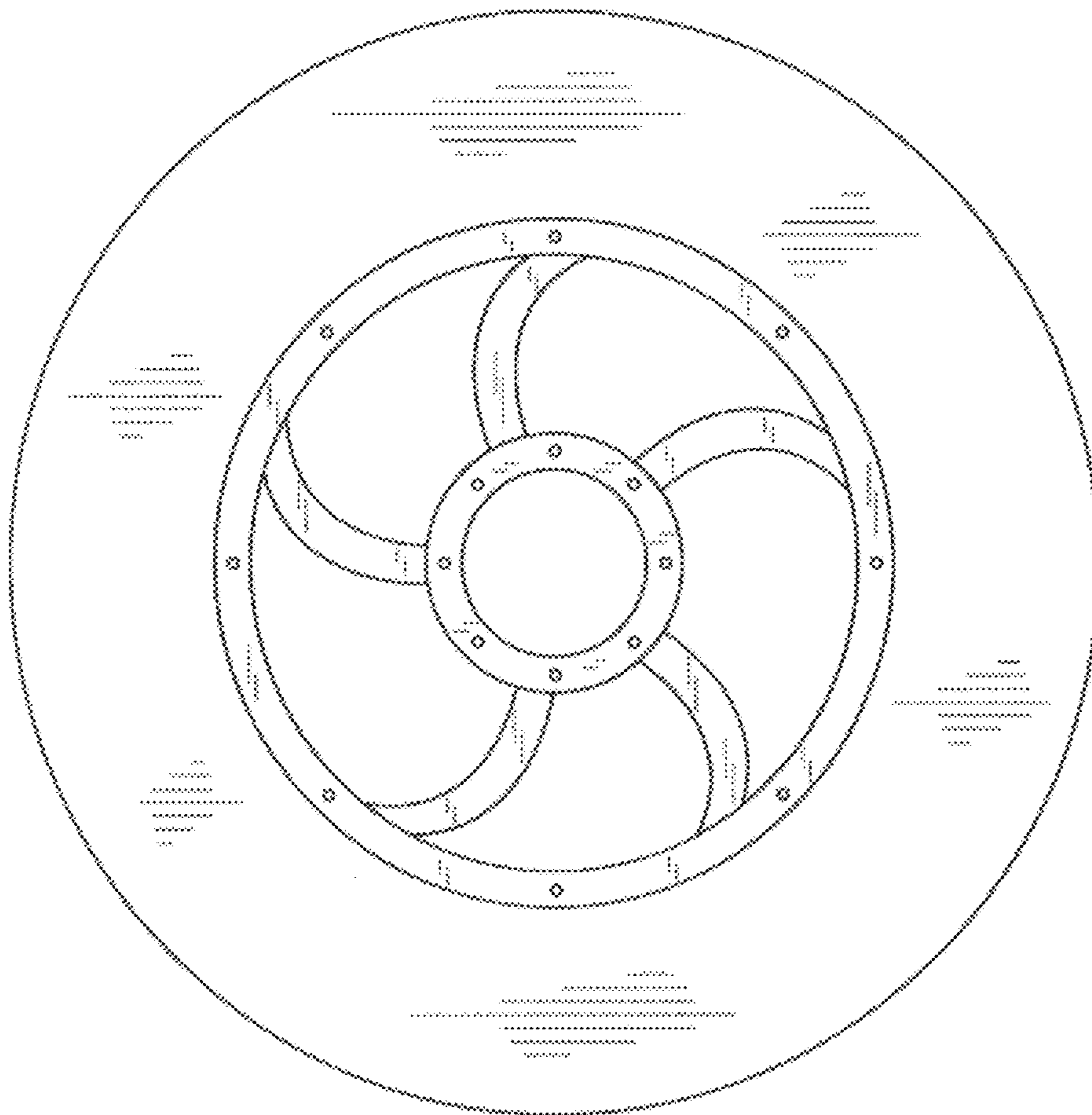


FIG. 3

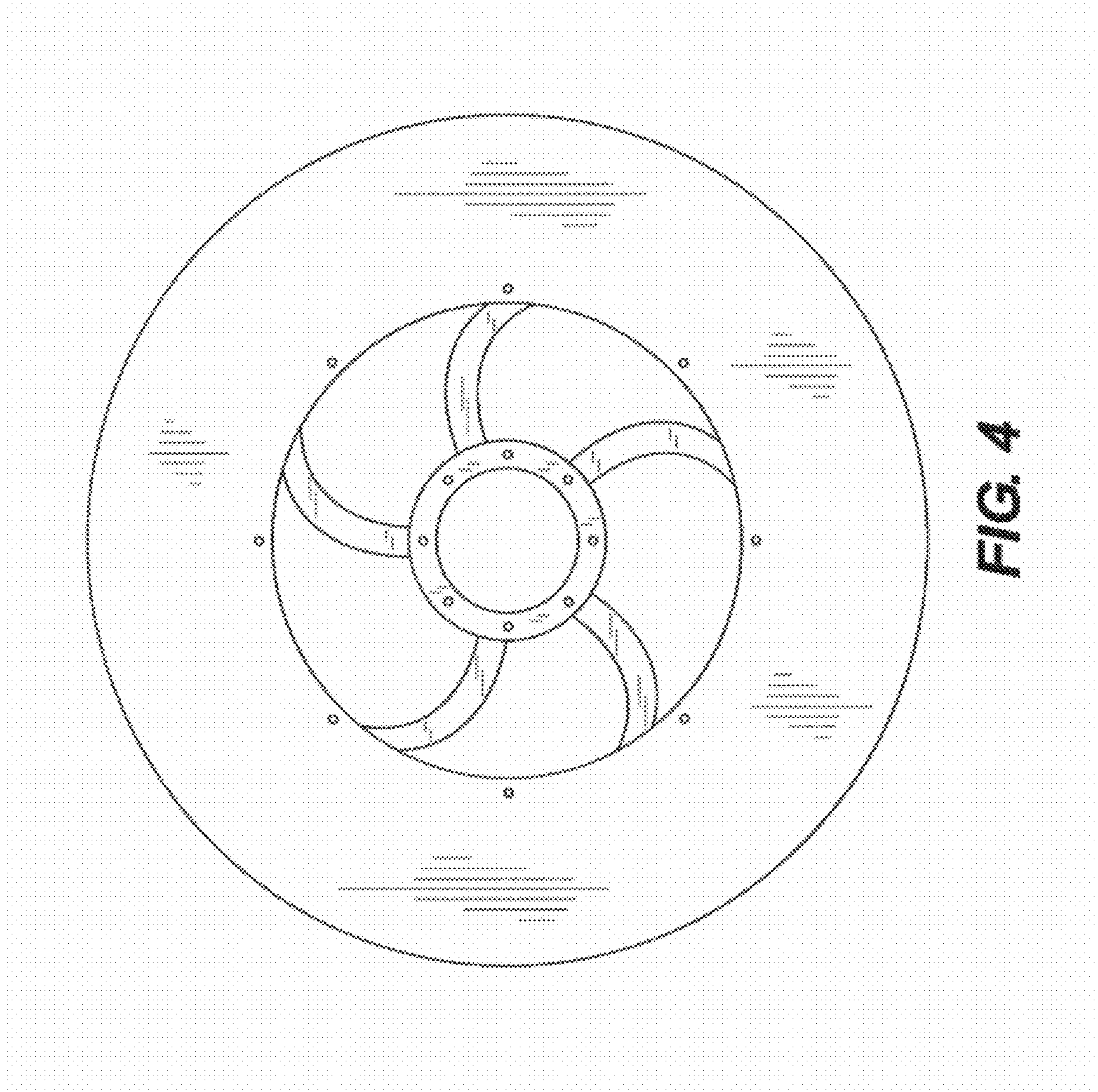


FIG. 4