



US00D676541S

(12) **United States Design Patent**
Fu et al.

(10) **Patent No.:** **US D676,541 S**
(45) **Date of Patent:** **** Feb. 19, 2013**

(54) **COMPUTER FAN**

(75) Inventors: **Gao-Hui Fu**, Wuhan (CN); **Li-Fu Xu**,
Wuhan (CN)

(73) Assignee: **Hon Hai Precision Industry Co., Ltd.**,
New Taipei (TW)

(**) Term: **14 Years**

(21) Appl. No.: **29/403,840**

(22) Filed: **Oct. 11, 2011**

(51) **LOC (9) Cl.** **23-04**

(52) **U.S. Cl.** **D23/370; D23/371**

(58) **Field of Classification Search** D23/314,
D23/341, 355, 370, 371, 375, 377, 379, 386,
D23/411-414; 55/471, 473; 415/118, 119,
415/220, 221; 416/179, 180, 183, 185, 186 R,
416/223 R, 235, 238; 417/423.1, 423.12,
417/423.14, 424.1

See application file for complete search history.

(56) **References Cited**

U.S. PATENT DOCUMENTS

D209,250	S *	11/1967	Grad	D23/379
6,183,196	B1 *	2/2001	Fujinaka	415/208.5
6,270,325	B1 *	8/2001	Hsieh	417/423.12
6,379,129	B1 *	4/2002	Obara	417/423.12
6,386,276	B1 *	5/2002	Chen et al.	165/121
D461,238	S *	8/2002	Hornig	D23/411
6,493,225	B2 *	12/2002	Chuang et al.	361/695

6,790,003	B1 *	9/2004	Hu et al.	416/5
D506,540	S *	6/2005	Chiu et al.	D23/370
D507,637	S *	7/2005	Chiu et al.	D23/370
D507,638	S *	7/2005	Chiu et al.	D23/370
D531,716	S *	11/2006	Watanabe et al.	D23/370
7,332,841	B2 *	2/2008	Hsu	310/73
D637,706	S *	5/2011	Kawai et al.	D23/370
2003/0231968	A1 *	12/2003	Hsieh	417/353
2005/0265864	A1 *	12/2005	Hsieh	417/423.8
2007/0237636	A1 *	10/2007	Hsu	416/5
2008/0218016	A1 *	9/2008	Lin	310/90
2009/0022611	A1 *	1/2009	Bei et al.	417/423.12
2010/0002389	A1 *	1/2010	Tung et al.	361/697

* cited by examiner

Primary Examiner — Caron D Veynar

Assistant Examiner — Martie K Holtje

(74) *Attorney, Agent, or Firm* — Altis Law Group, Inc.

(57) **CLAIM**

The ornamental design for a computer fan, as shown and described.

DESCRIPTION

FIG. 1 is a perspective view of the computer fan showing our new design;

FIG. 2 is a front elevational view thereof;

FIG. 3 is a rear elevational view thereof;

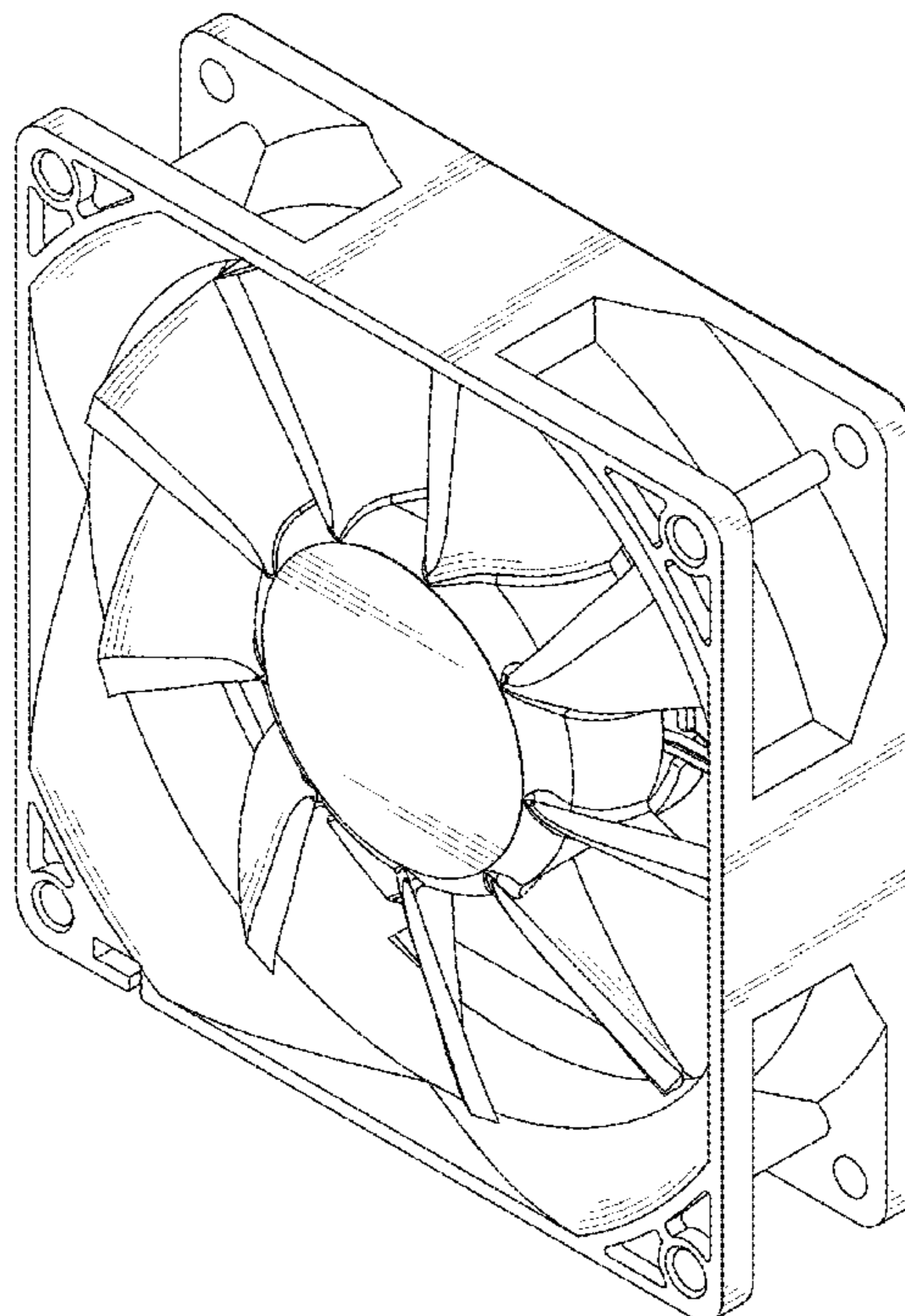
FIG. 4 is a left side elevational view thereof;

FIG. 5 is a right side elevational view thereof;

FIG. 6 is a top plan view thereof; and,

FIG. 7 is a bottom plan view thereof.

1 Claim, 7 Drawing Sheets



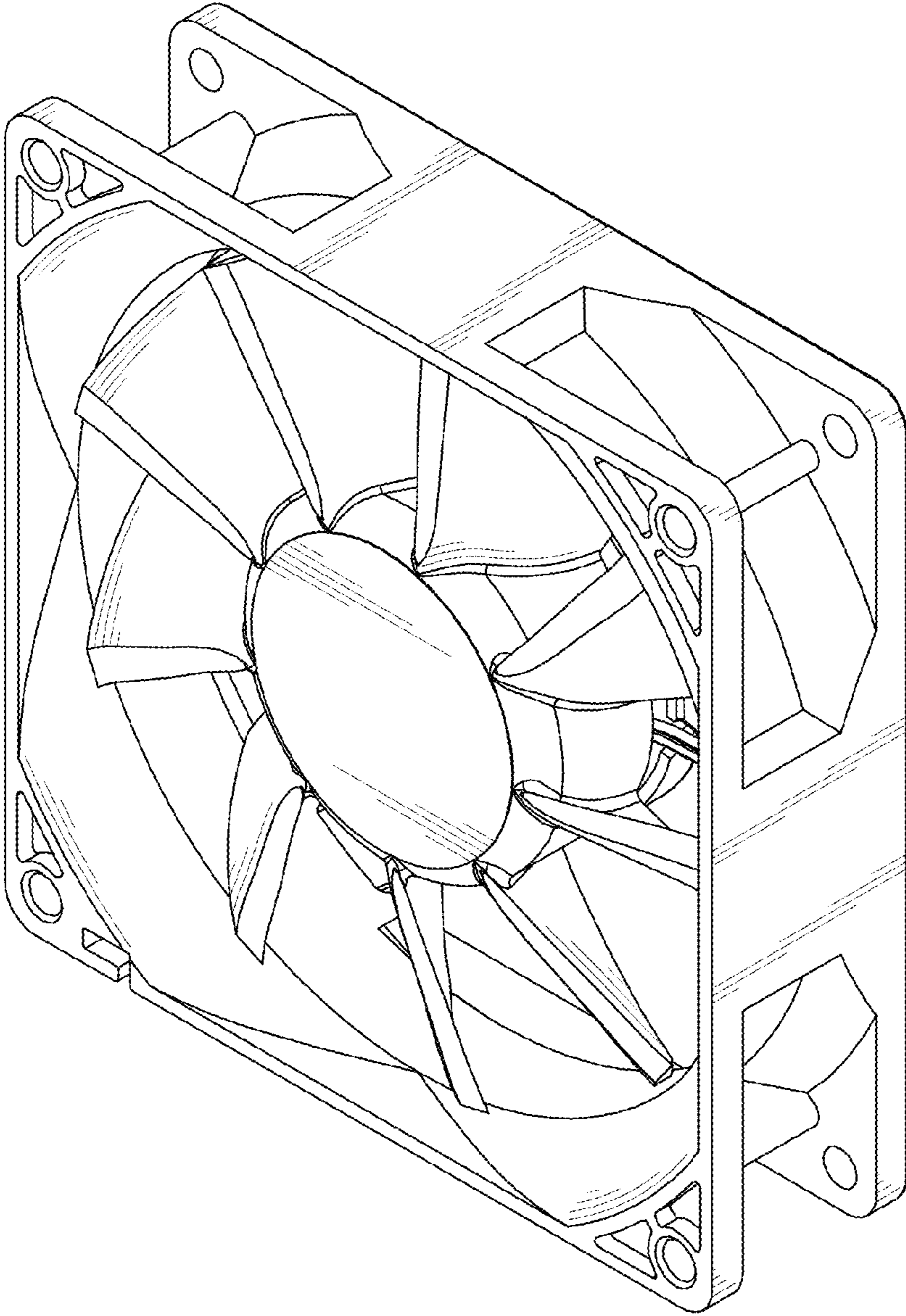


FIG. 1

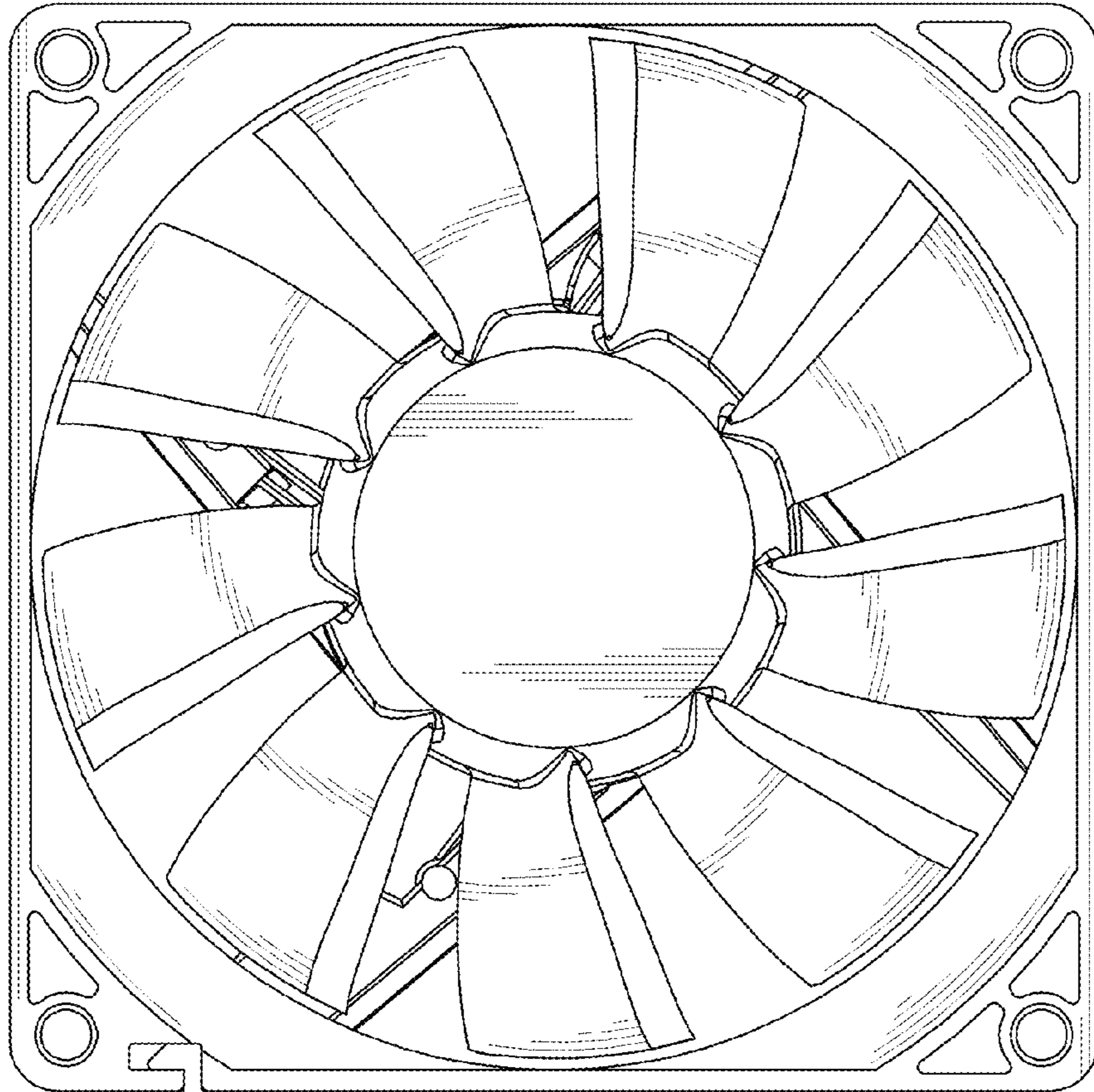


FIG. 2

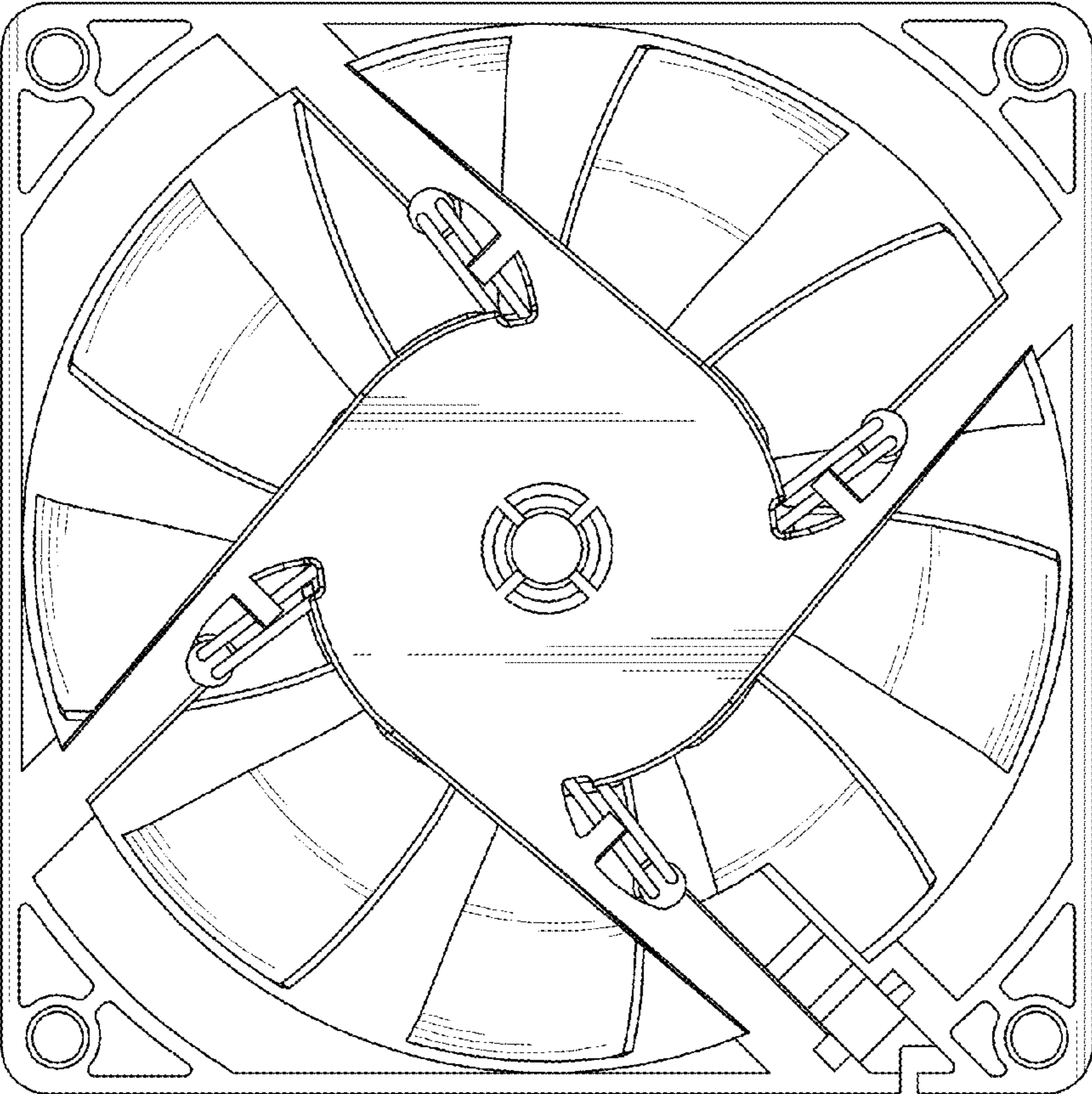


FIG. 3

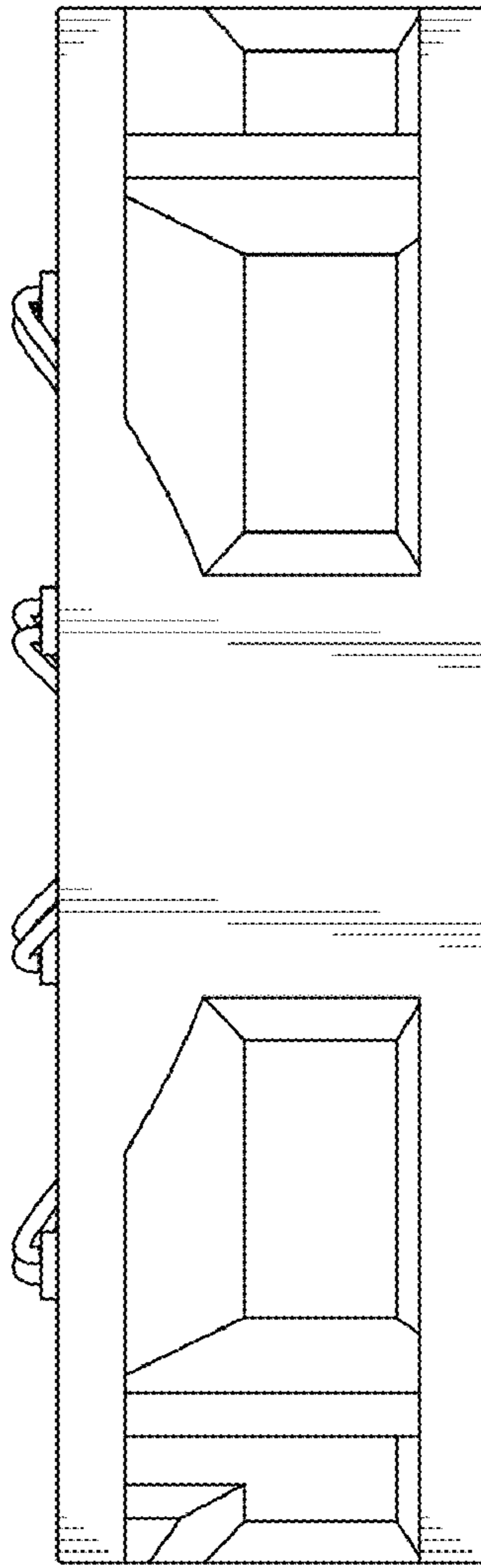


FIG. 4

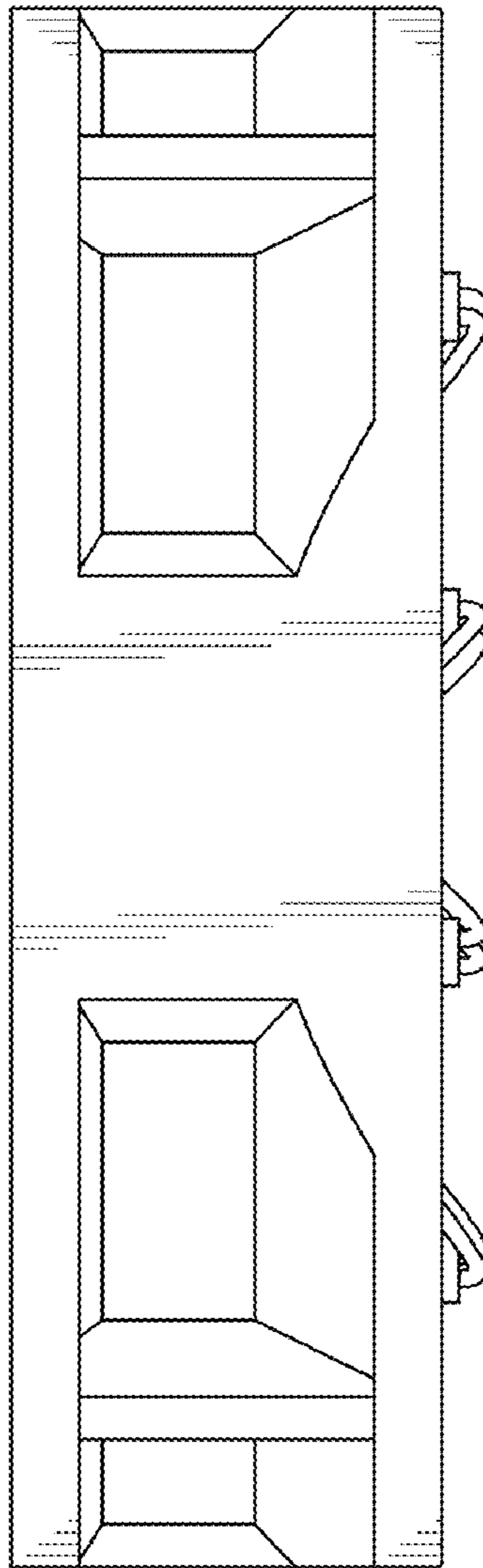


FIG. 5

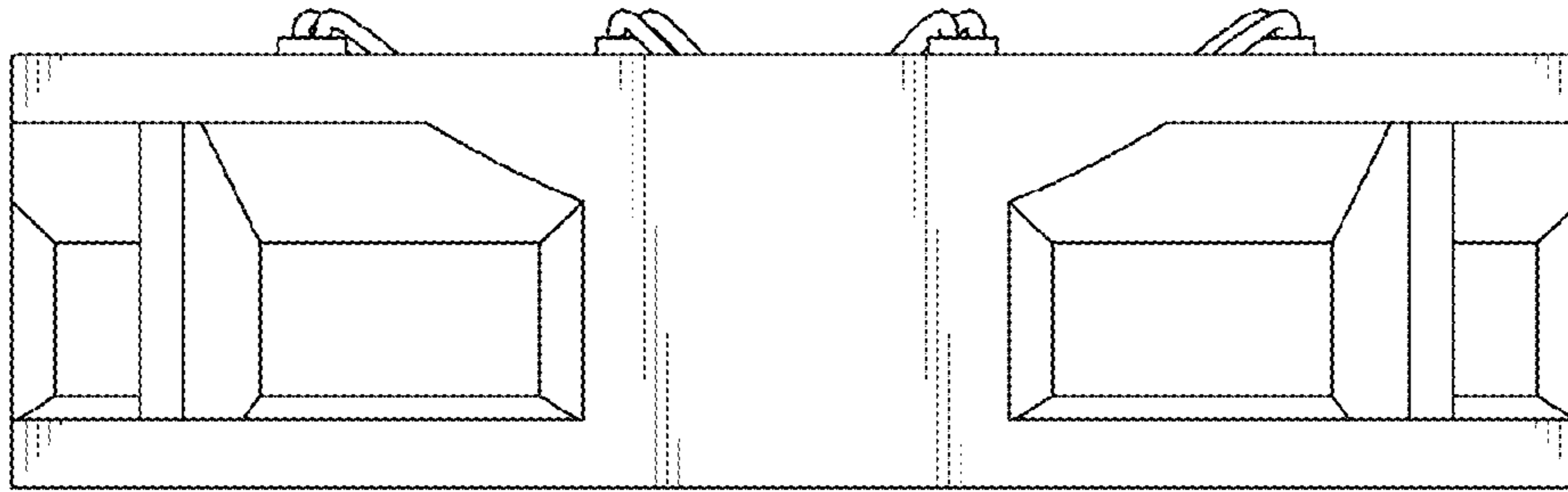


FIG. 6

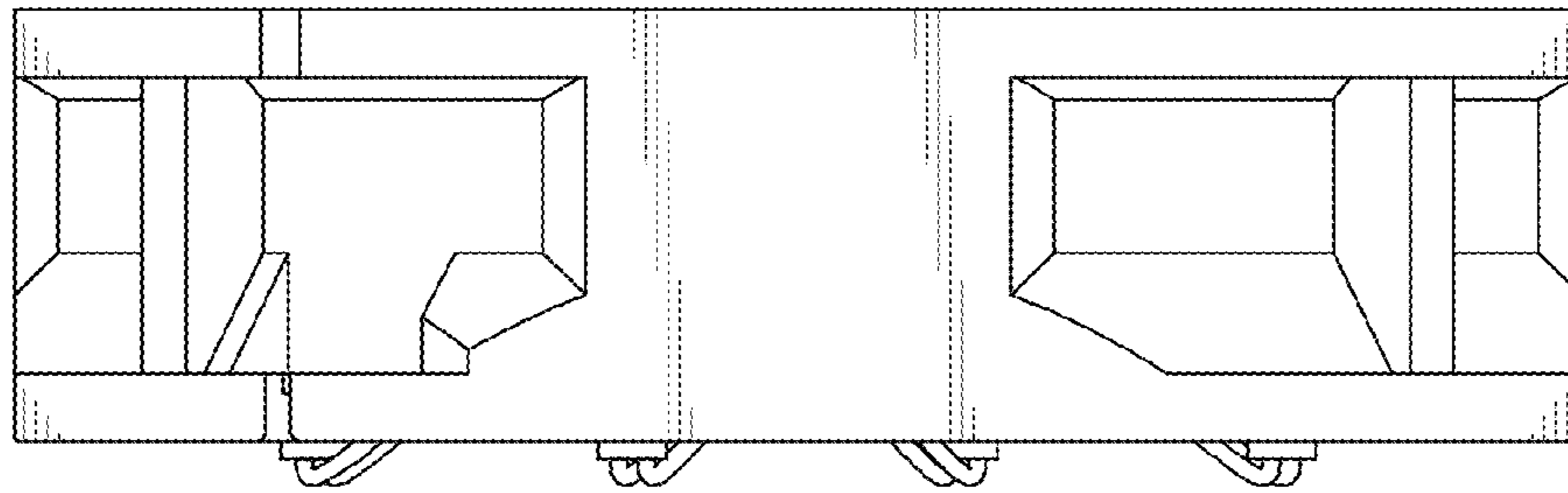


FIG. 7