



US00D676537S

(12) **United States Design Patent**
Yoo et al.

(10) **Patent No.:** **US D676,537 S**
(45) **Date of Patent:** **** Feb. 19, 2013**

(54) **DEHUMIDIFIER**

(75) Inventors: **Joonggil Yoo**, Gyeonggi-do (KR);
Sehwan Bae, Gyeonggi-do (KR);
Yoojeung Han, Gyeonggi-do (KR)

(73) Assignee: **LG Electronics Inc.**, Seoul (KR)

(**) Term: **14 Years**

(21) Appl. No.: **29/405,481**

(22) Filed: **Nov. 2, 2011**

(30) **Foreign Application Priority Data**

May 4, 2011 (KR) 30-2011-0018501

(51) **LOC (9) Cl.** **23-04**

(52) **U.S. Cl.** **D23/359**

(58) **Field of Classification Search** D23/355-366,
D23/352, 369, 332, 333, 335, 336, 342, 351;
422/120, 122; 55/356, 473, 504; 96/97;
261/DIG. 17, DIG. 65, DIG. 88, DIG. 31
See application file for complete search history.

(56) **References Cited**

U.S. PATENT DOCUMENTS

D396,275 S * 7/1998 Pearson D23/355
D503,221 S * 3/2005 Miller et al. D23/333
D604,824 S * 11/2009 Paolazzi et al. D23/366
D608,435 S * 1/2010 Zobebe et al. D23/366

D609,321 S * 2/2010 Tomasulo et al. D23/366
D631,146 S * 1/2011 Shu et al. D23/366
D634,415 S * 3/2011 Abbondanzio et al. D23/366
D642,253 S * 7/2011 Poves et al. D23/366
D642,667 S * 8/2011 Irwin et al. D23/366
D646,772 S * 10/2011 Boshuizen et al. D23/366
D647,191 S * 10/2011 Boadella Esteve et al. .. D23/366
D647,192 S * 10/2011 Boadella Esteve et al. .. D23/366
D648,018 S * 11/2011 Sordo D23/366

* cited by examiner

Primary Examiner — David Muller

(74) *Attorney, Agent, or Firm* — Birch, Stewart, Kolasch & Birch, LLP

(57) **CLAIM**

The ornamental design for a dehumidifier, as shown and described.

DESCRIPTION

FIG. 1 is a perspective view of a dehumidifier showing our new design;

FIG. 2 is a front view thereof;

FIG. 3 is a rear view thereof;

FIG. 4 is a left side view thereof;

FIG. 5 is a right side view thereof;

FIG. 6 is a top plan view thereof; and,

FIG. 7 is a bottom plan view thereof.

The broken lines shown are included for the purpose of illustrating the unclaimed portions of the article and form no part of the claim.

1 Claim, 6 Drawing Sheets

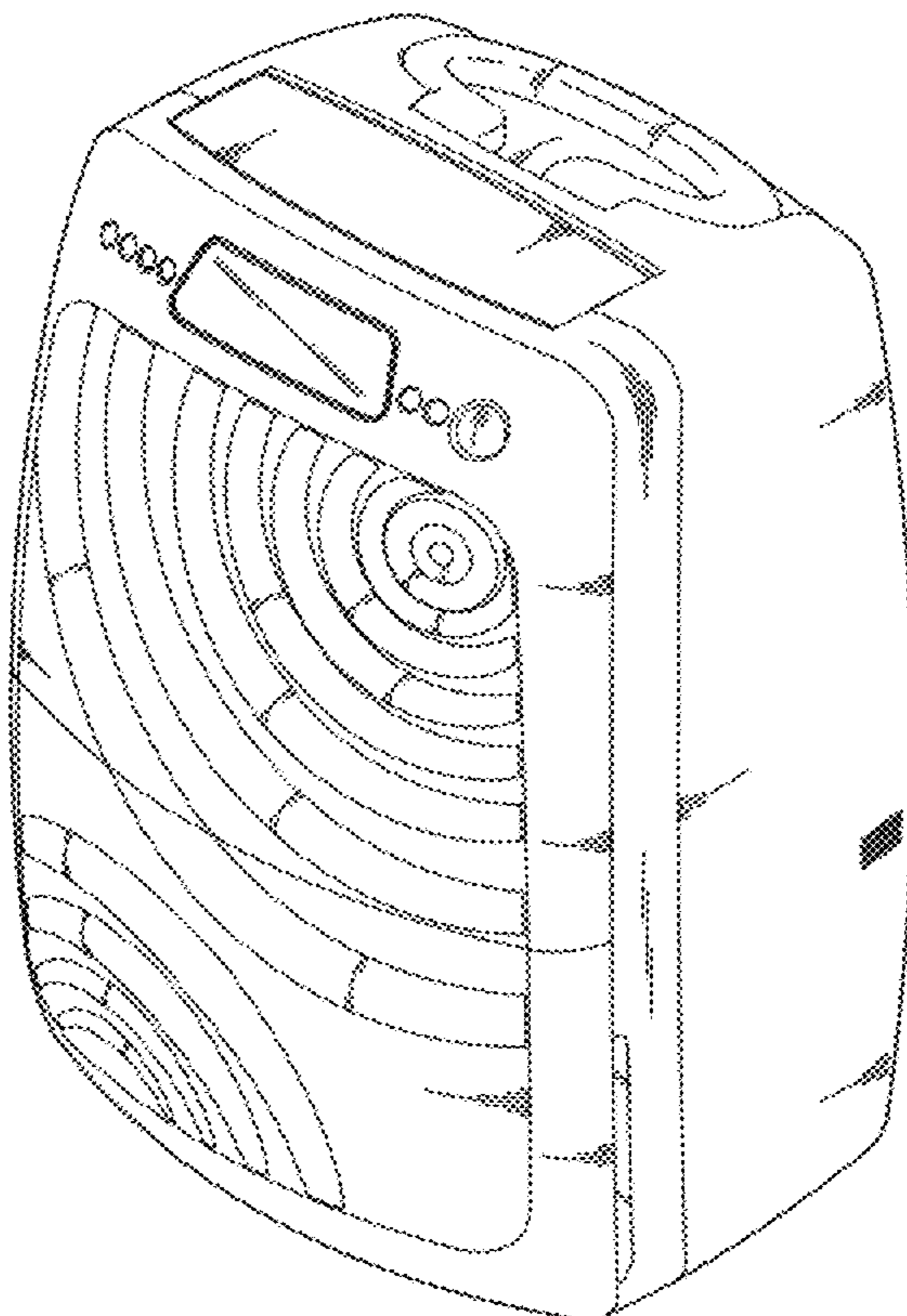


FIG. 1

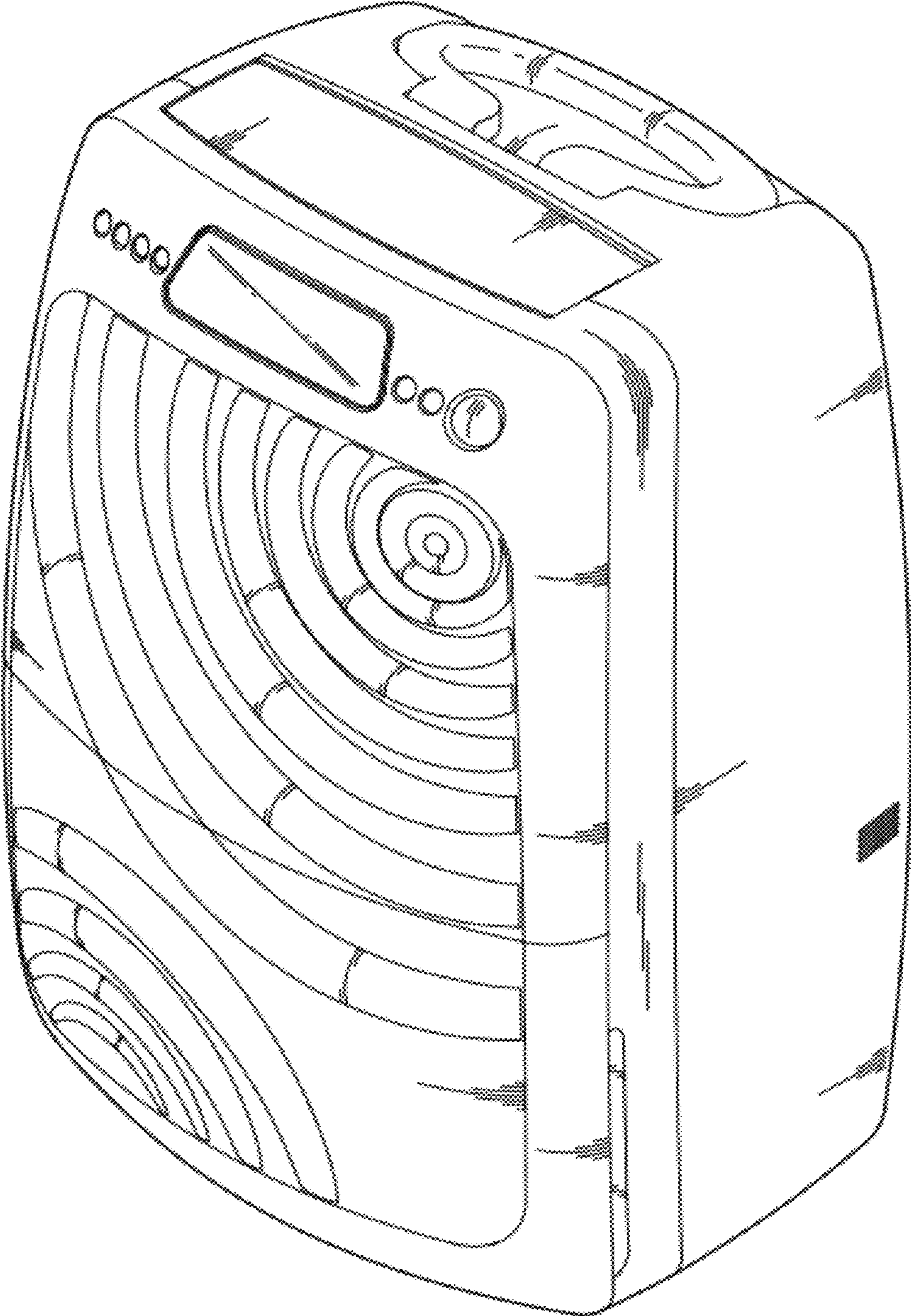


FIG. 2

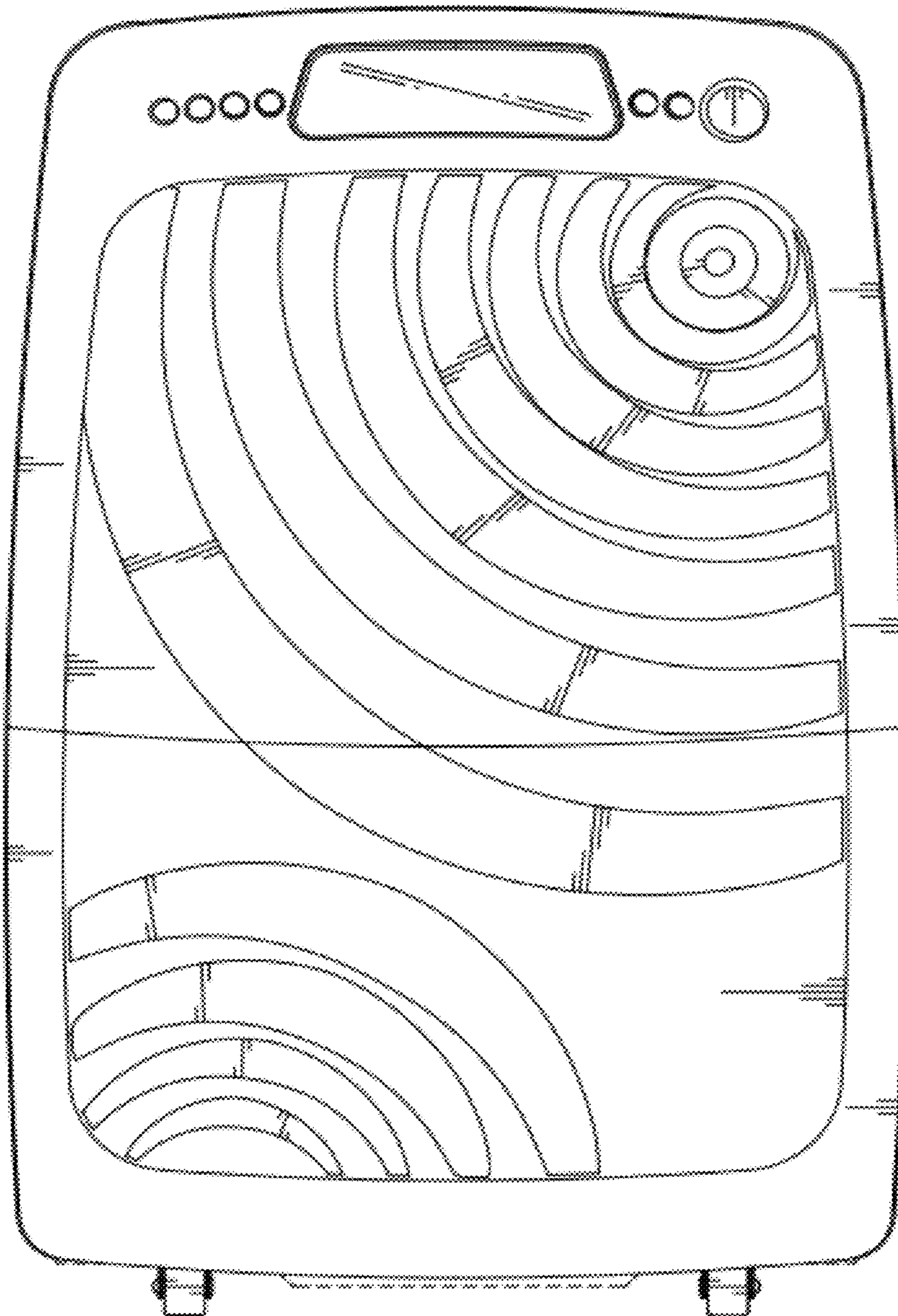


FIG. 3

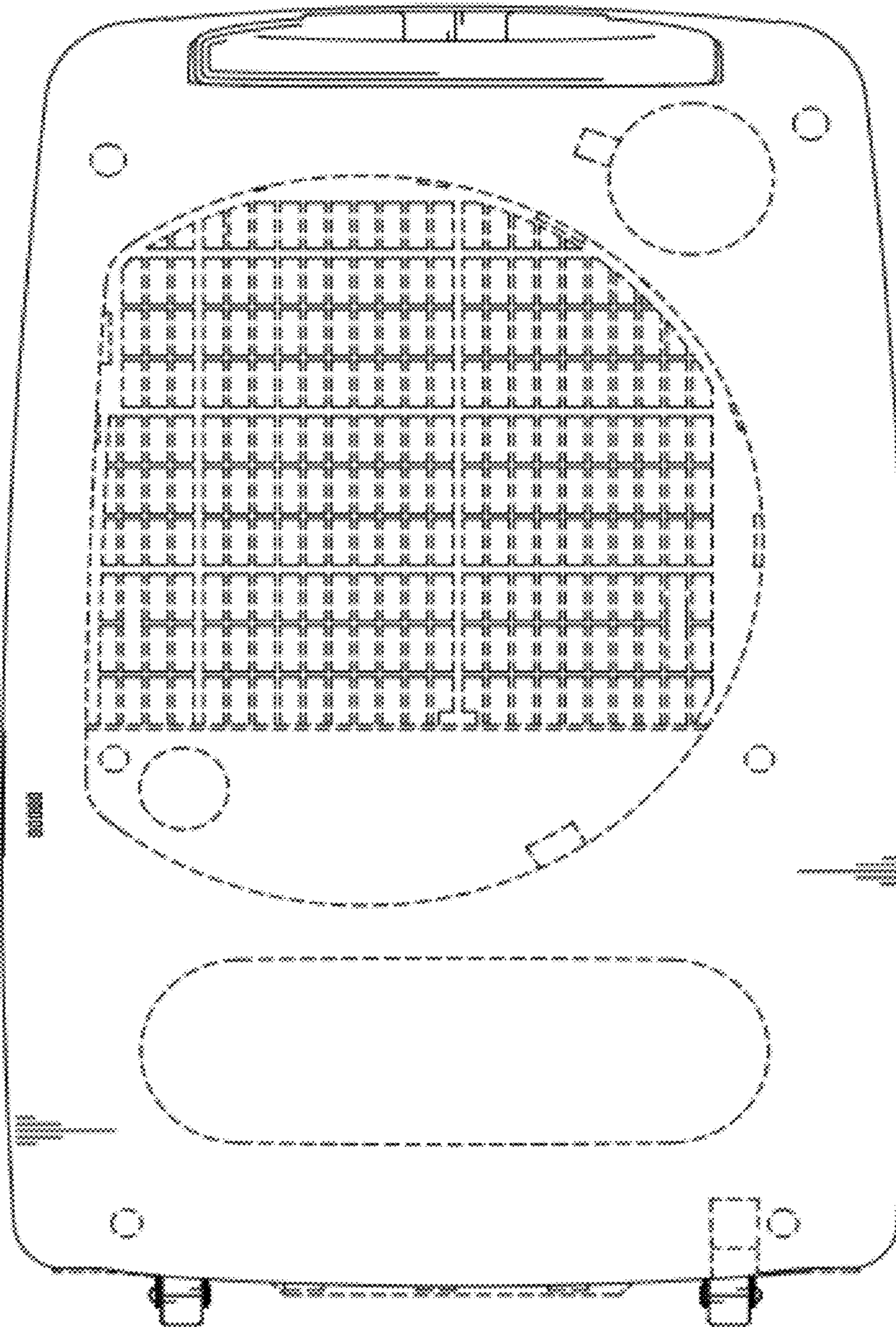


FIG. 4

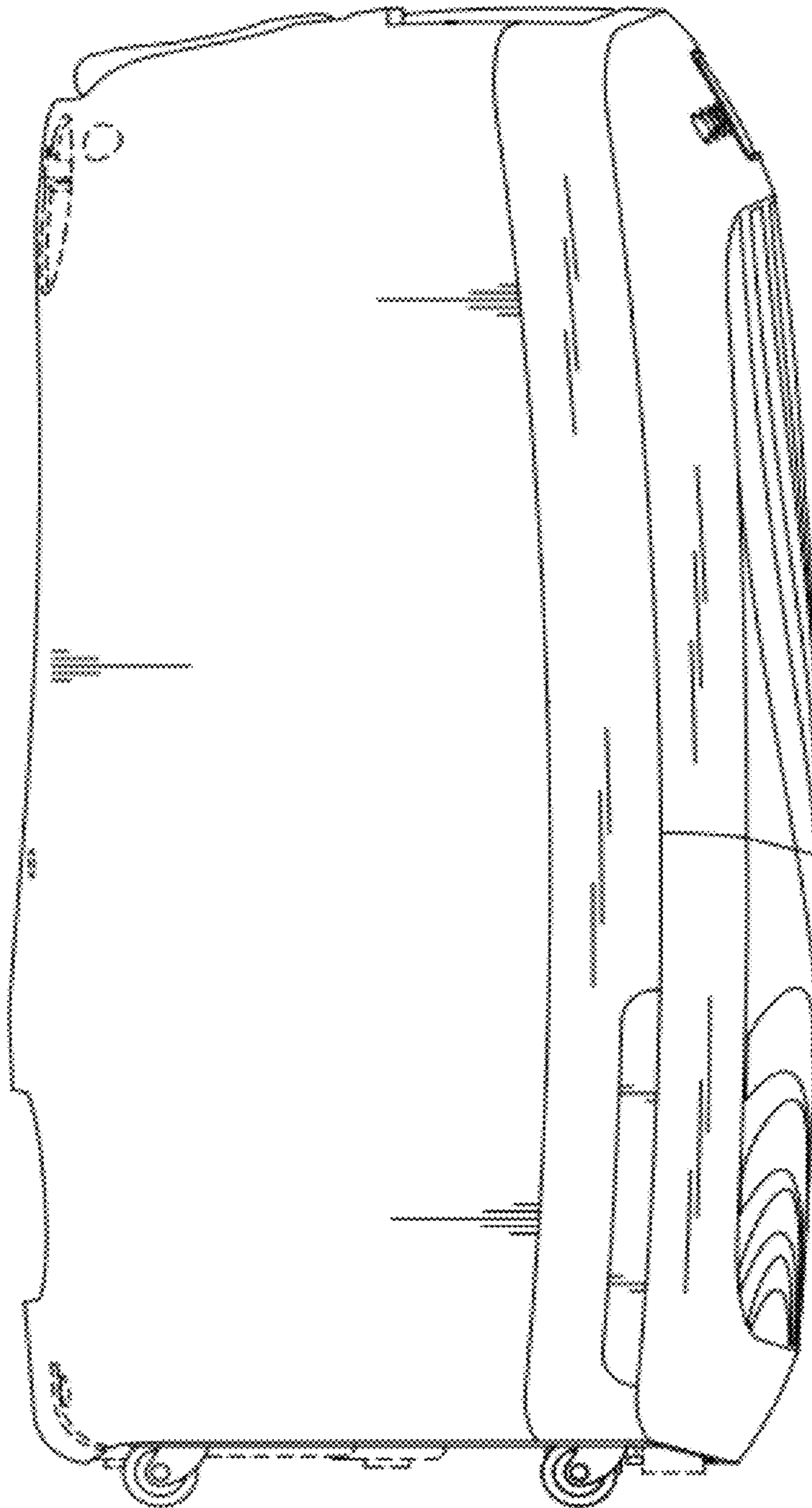


FIG. 5

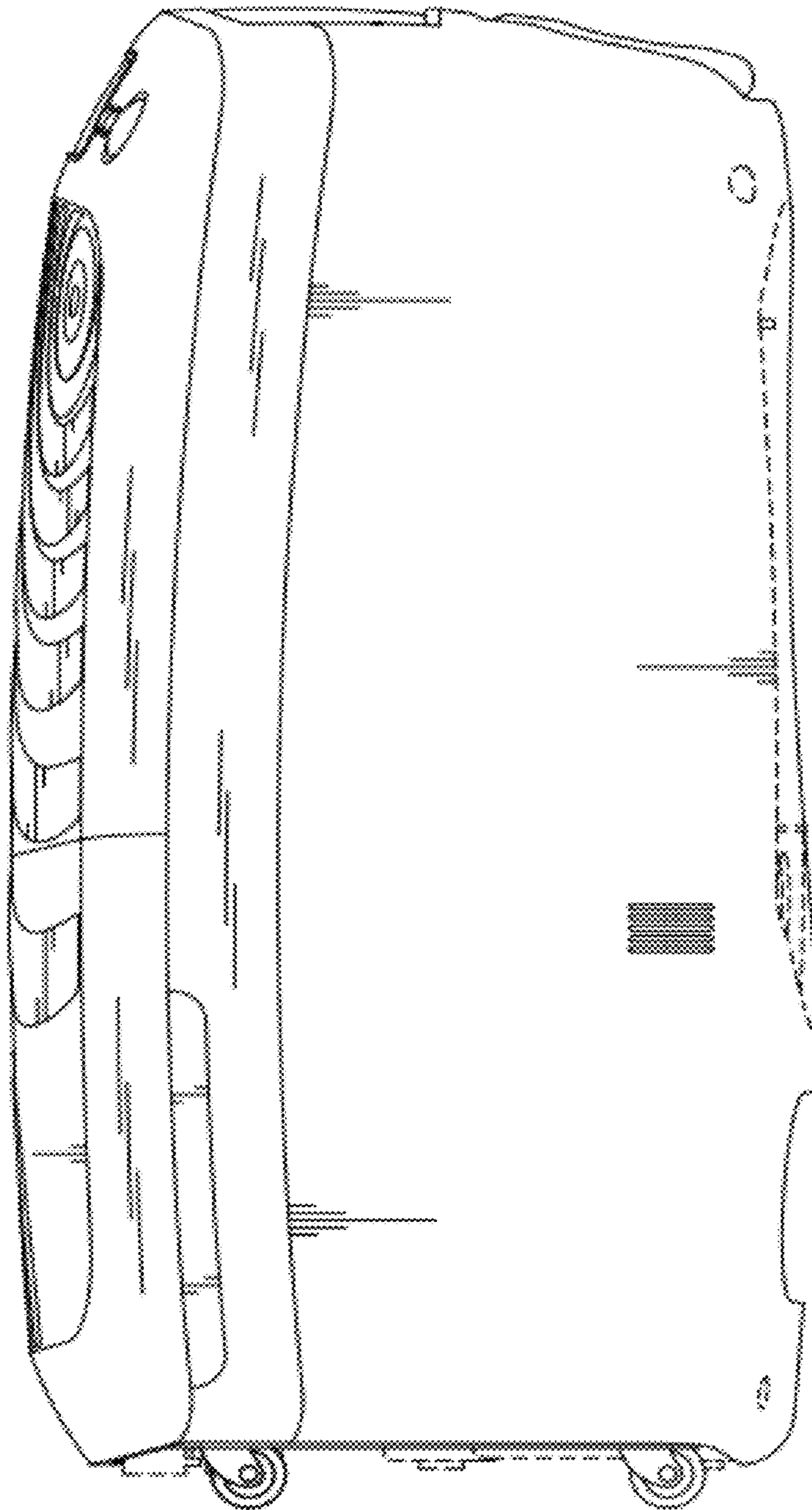


FIG. 6

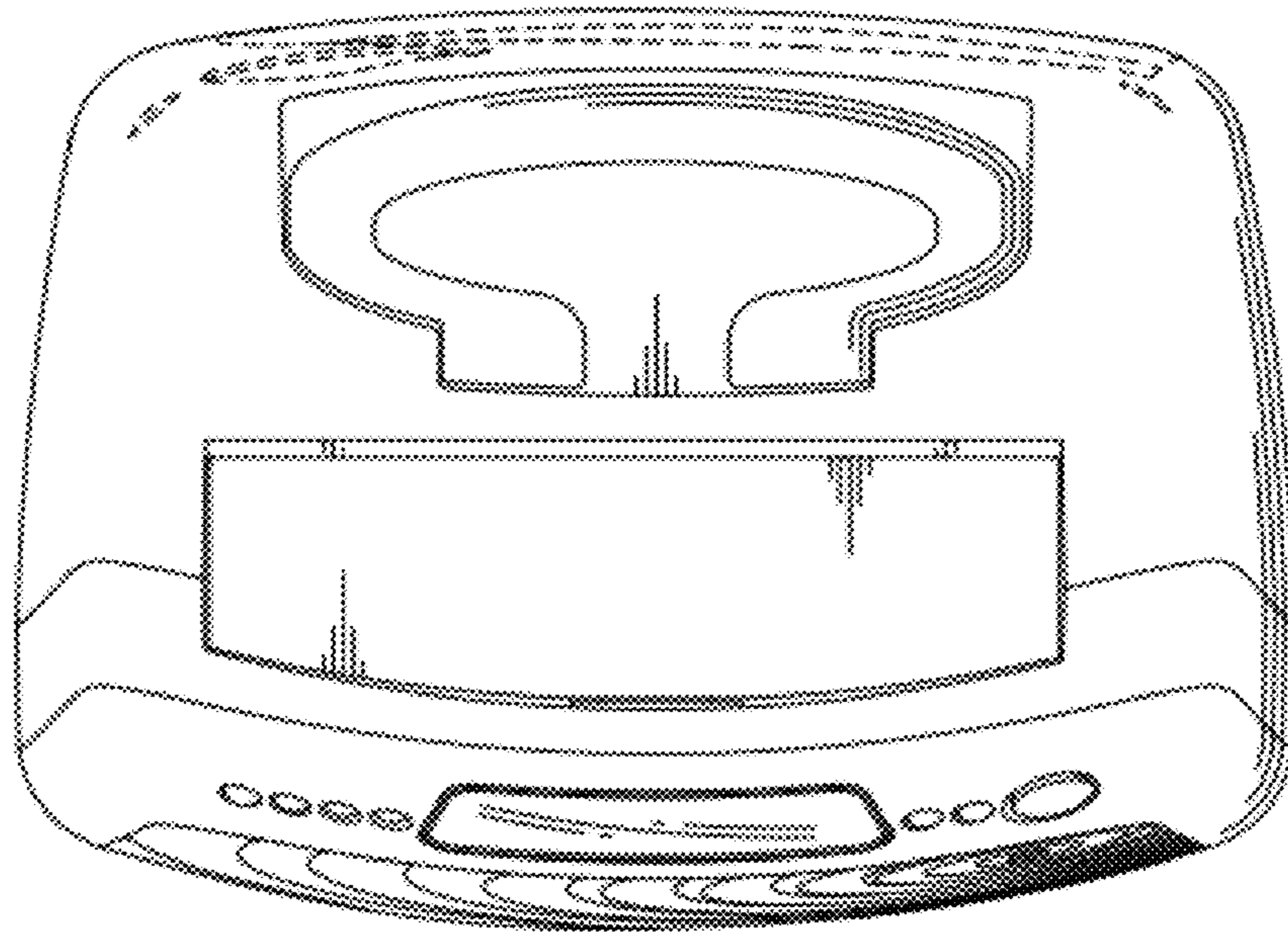


FIG. 7

