



US00D676536S

(12) **United States Design Patent**
Roach et al.

(10) **Patent No.:** **US D676,536 S**

(45) **Date of Patent:** **** Feb. 19, 2013**

- (54) **BLADELESS MISTING FAN**
- (75) Inventors: **Ken Roach**, Kowloon (HK); **David Tian**, Shenzhen (CN)
- (73) Assignee: **Atico International USA, Inc.**, Fort Lauderdale, FL (US)
- (**) Term: **14 Years**
- (21) Appl. No.: **29/411,390**
- (22) Filed: **Jan. 19, 2012**
- (51) **LOC (9) Cl.** **23-04**
- (52) **U.S. Cl.** **D23/328; D23/370; D9/685**
- (58) **Field of Classification Search** D23/213, D23/223, 228, 328, 332, 355, 356, 370, 386, D23/411; 261/28, 115, 116; 239/29, 215, 239/289; D9/530, 682, 685, 719; 416/146 R; 415/90, 182.1; 417/84
See application file for complete search history.

D544,078	S	*	6/2007	Geringer	D23/328
D553,227	S	*	10/2007	Chen	D23/328
D554,242	S	*	10/2007	Chen	D23/328
D605,748	S	*	12/2009	Gammack et al.	D23/370
D614,280	S	*	4/2010	Dyson et al.	D23/370
7,806,388	B2	*	10/2010	Junkel et al.	261/28
D638,114	S	*	5/2011	Li et al.	D23/370
8,016,270	B2	*	9/2011	Chen et al.	261/28
8,246,317	B2	*	8/2012	Gammack	417/84
2010/0225012	A1	*	9/2010	Fitton et al.	261/116
2010/0254800	A1	*	10/2010	Fitton et al.	415/90

* cited by examiner

Primary Examiner — Janice Seeger

Assistant Examiner — Martie K Holtje

(74) *Attorney, Agent, or Firm* — Casimir Jones, S.C.

(57) **CLAIM**

The ornamental design for a bladeless misting fan, as shown and described.

DESCRIPTION

FIG. 1 is a front perspective view showing the new design;
 FIG. 2 is a front elevational view thereof;
 FIG. 3 is a right side elevational view thereof;
 FIG. 4 is a rear elevational view thereof;
 FIG. 5 is a left side elevational view thereof;
 FIG. 6 is a top plan view thereof;
 FIG. 7 is a bottom plan view thereof; and,
 FIG. 8 is a rear perspective view thereof.

1 Claim, 7 Drawing Sheets

(56) **References Cited**

U.S. PATENT DOCUMENTS

5,667,732	A	*	9/1997	Lederer	261/28
5,715,999	A	*	2/1998	Hsu	239/29
5,837,167	A	*	11/1998	Lederer	261/28
5,965,067	A	*	10/1999	Junkel et al.	261/28
D516,435	S	*	3/2006	Barraclough	D9/682
D529,166	S	*	9/2006	Geringer	D23/379
7,143,958	B1	*	12/2006	Dorney	239/289

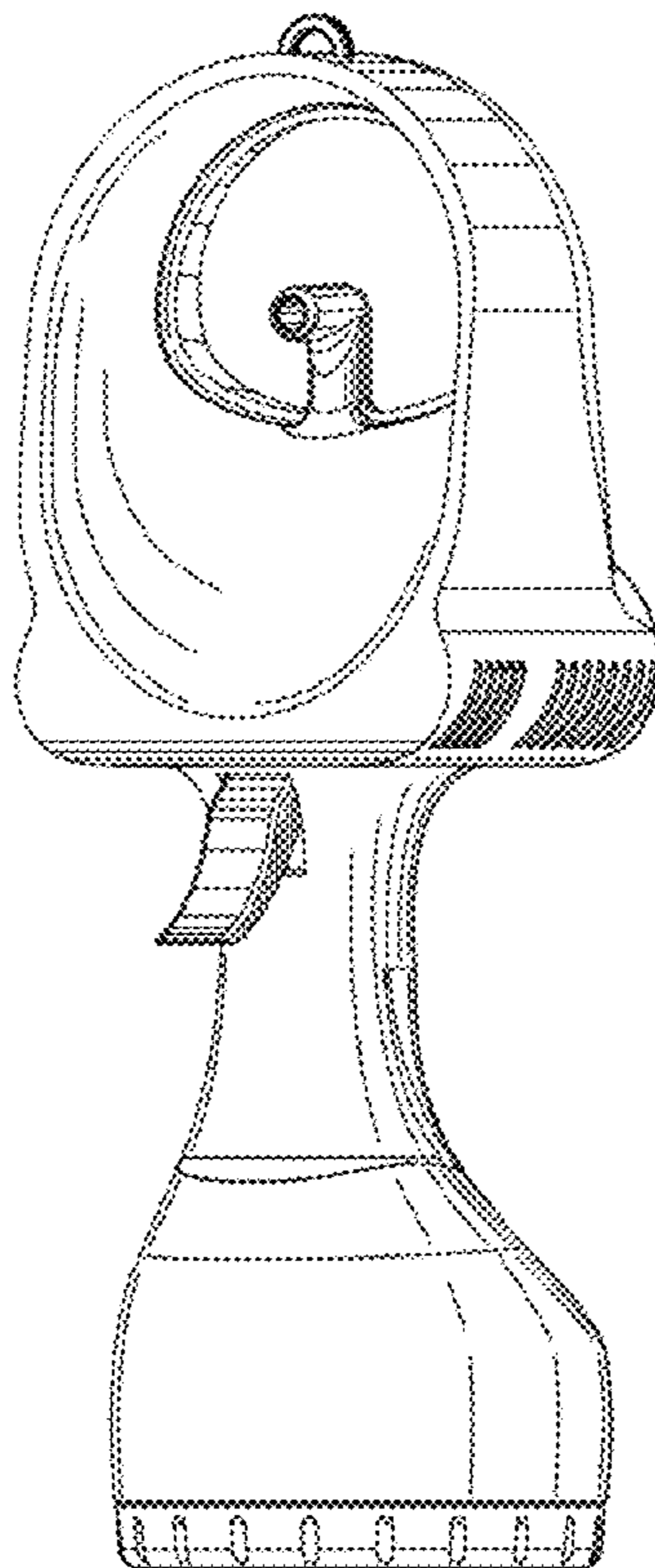


Fig. 1

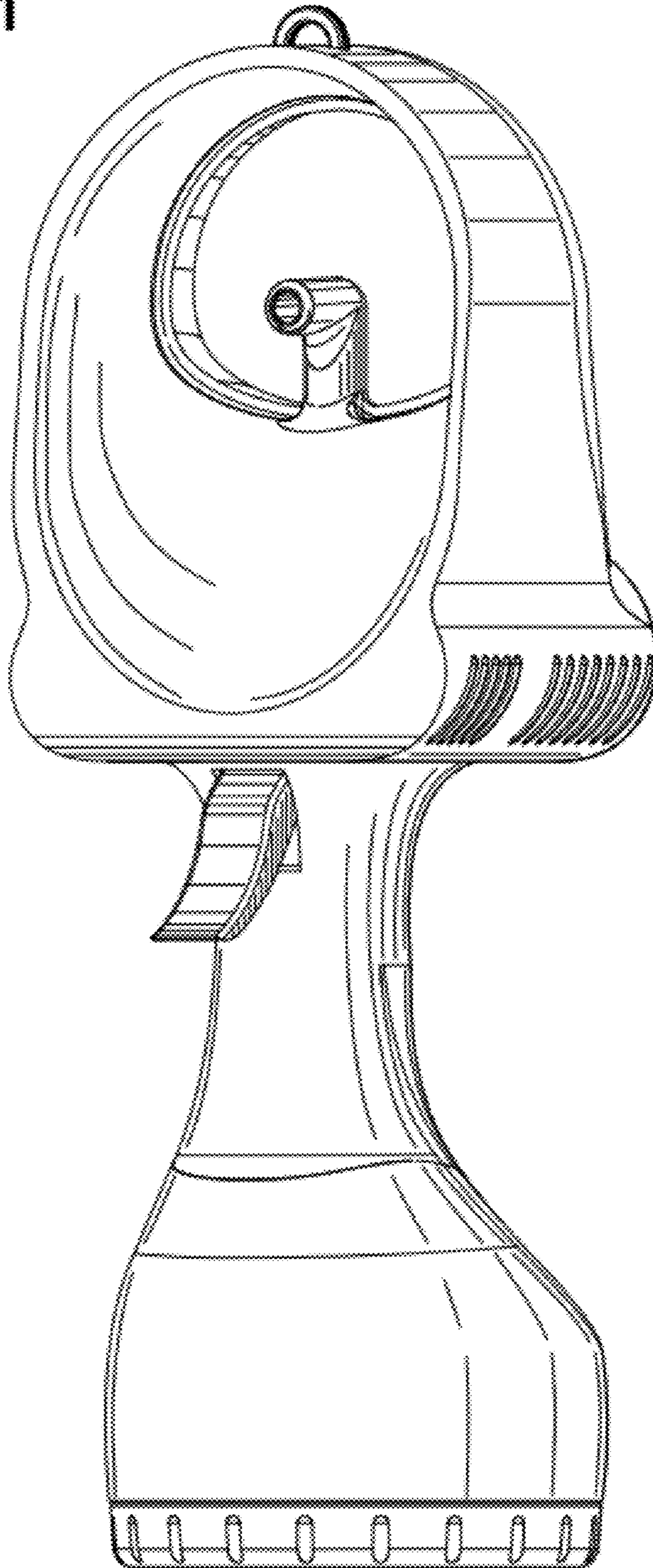


Fig. 2

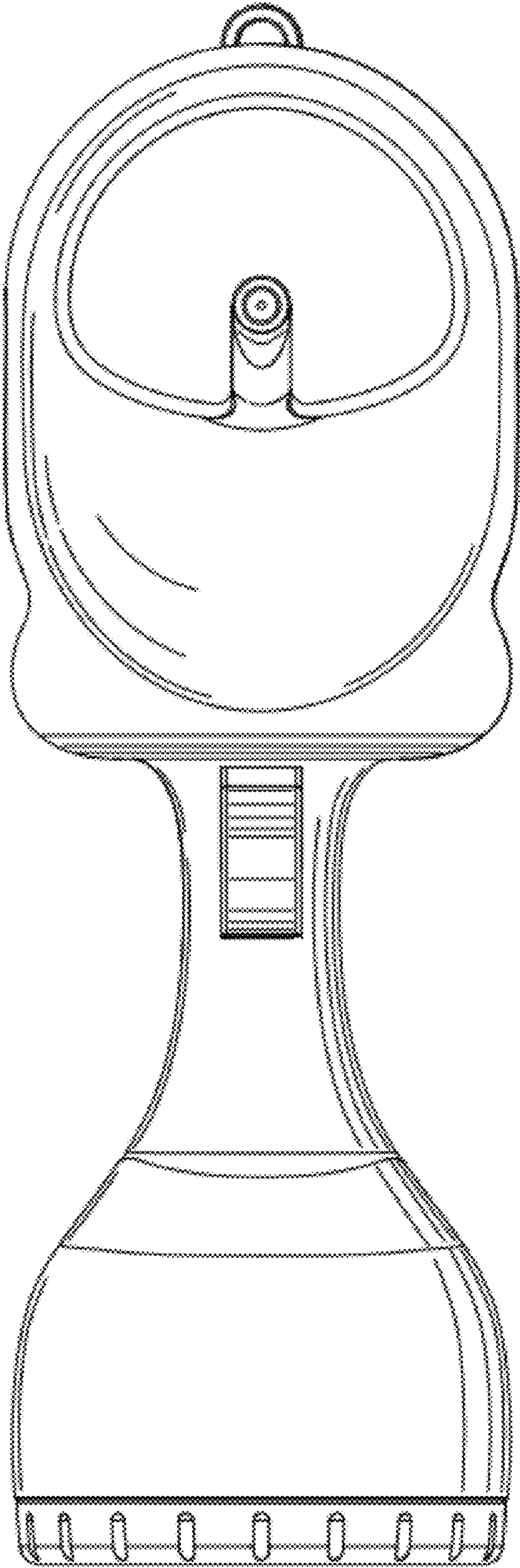


Fig. 3

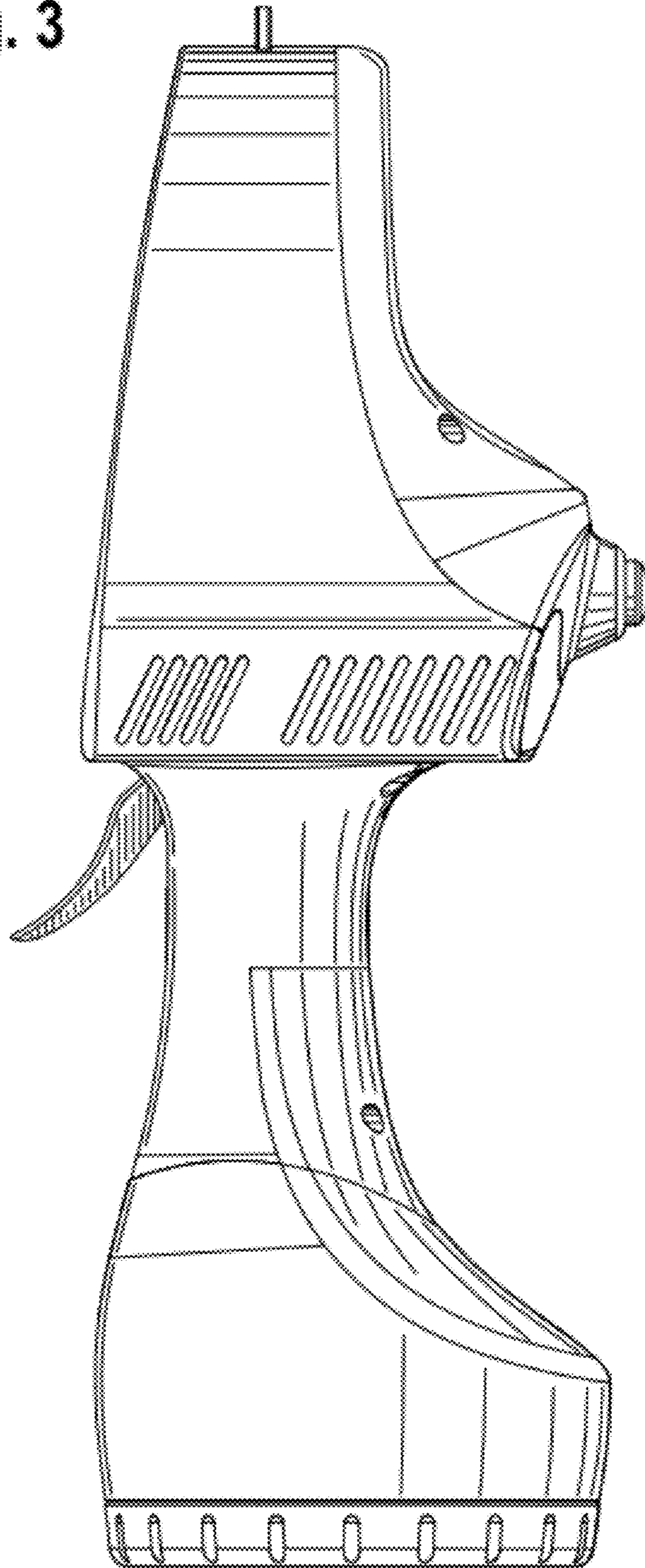


Fig. 4

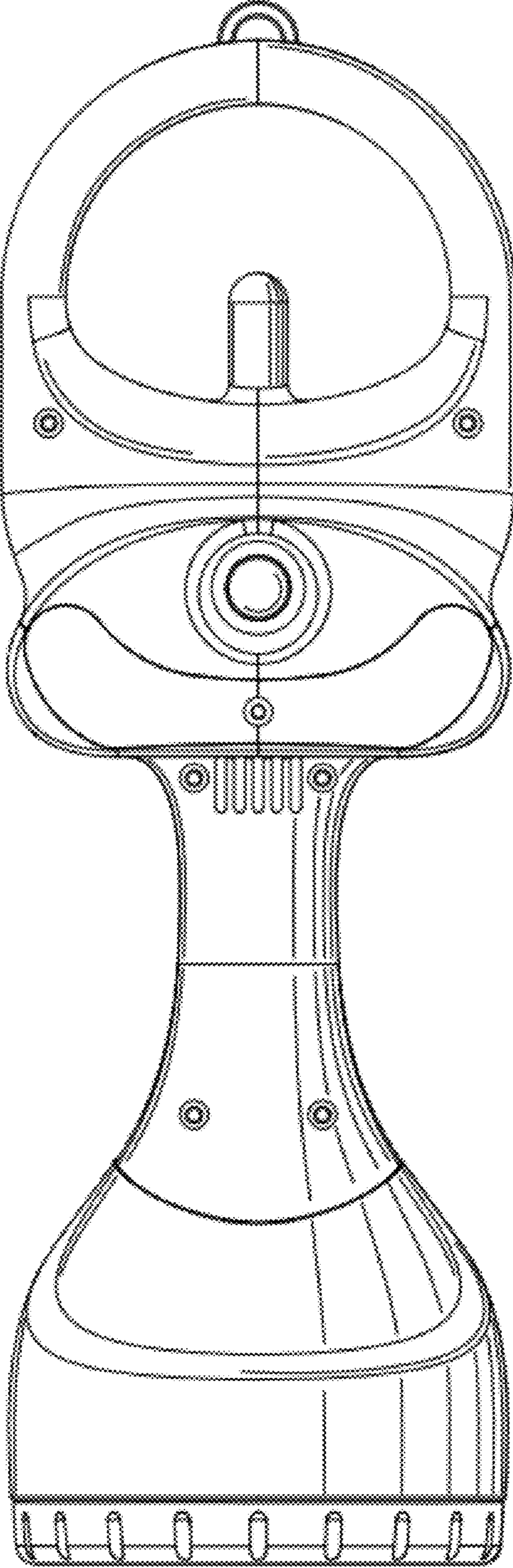


Fig. 5

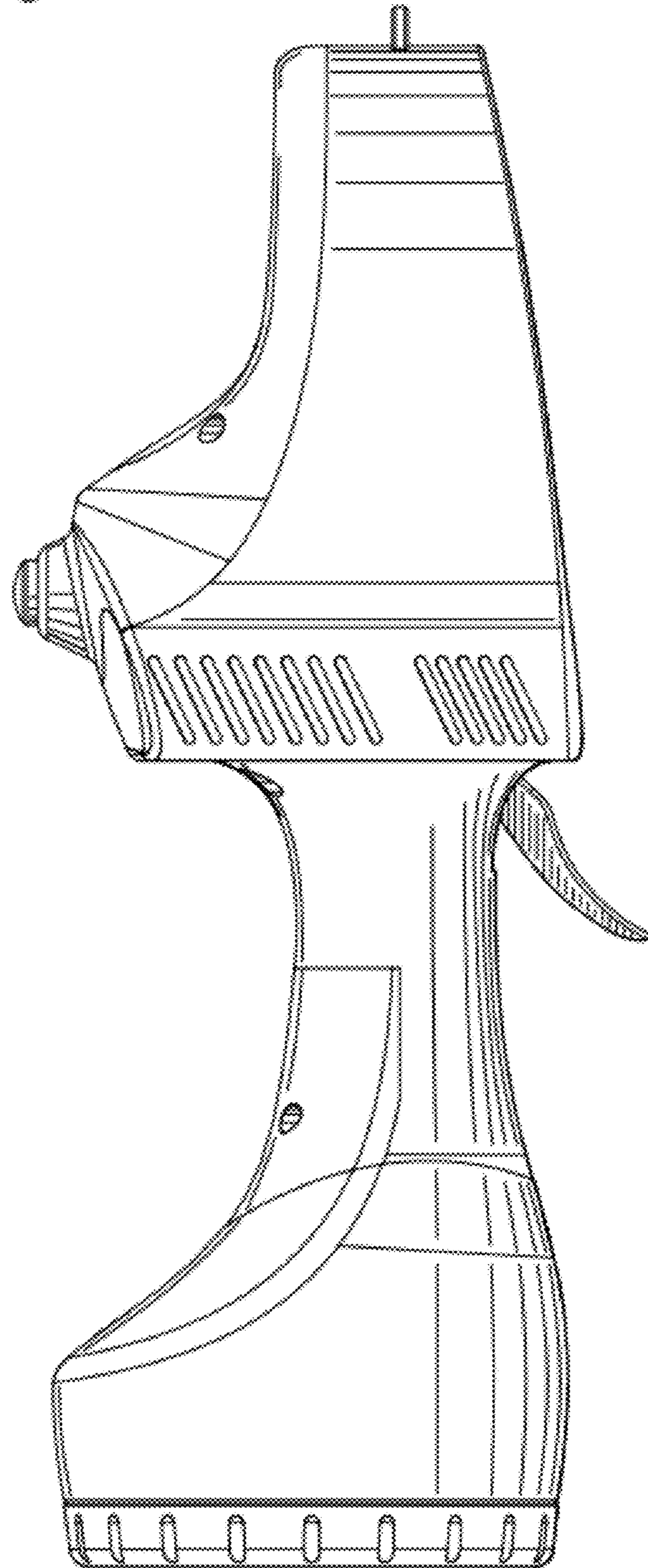


Fig. 6

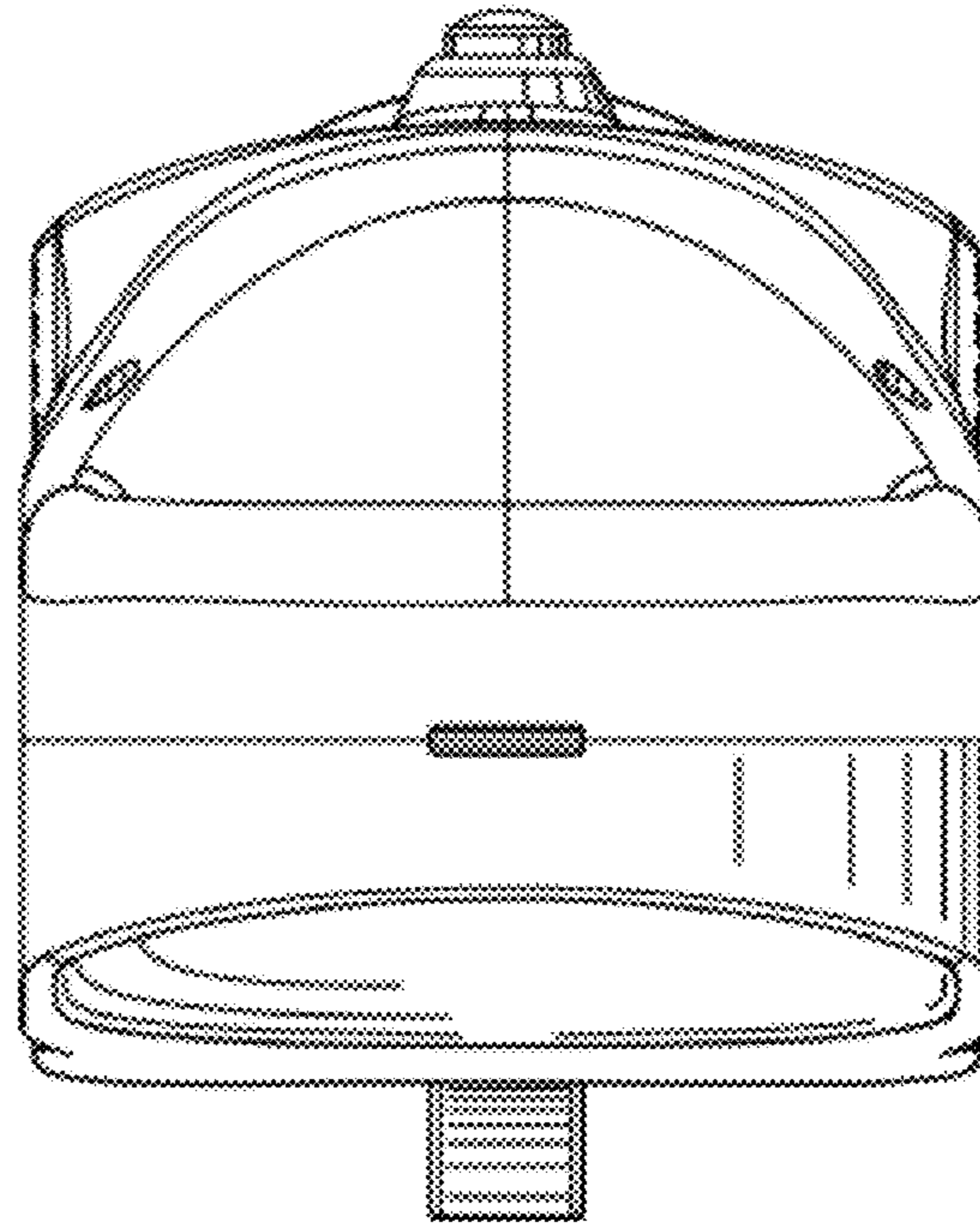


Fig. 7

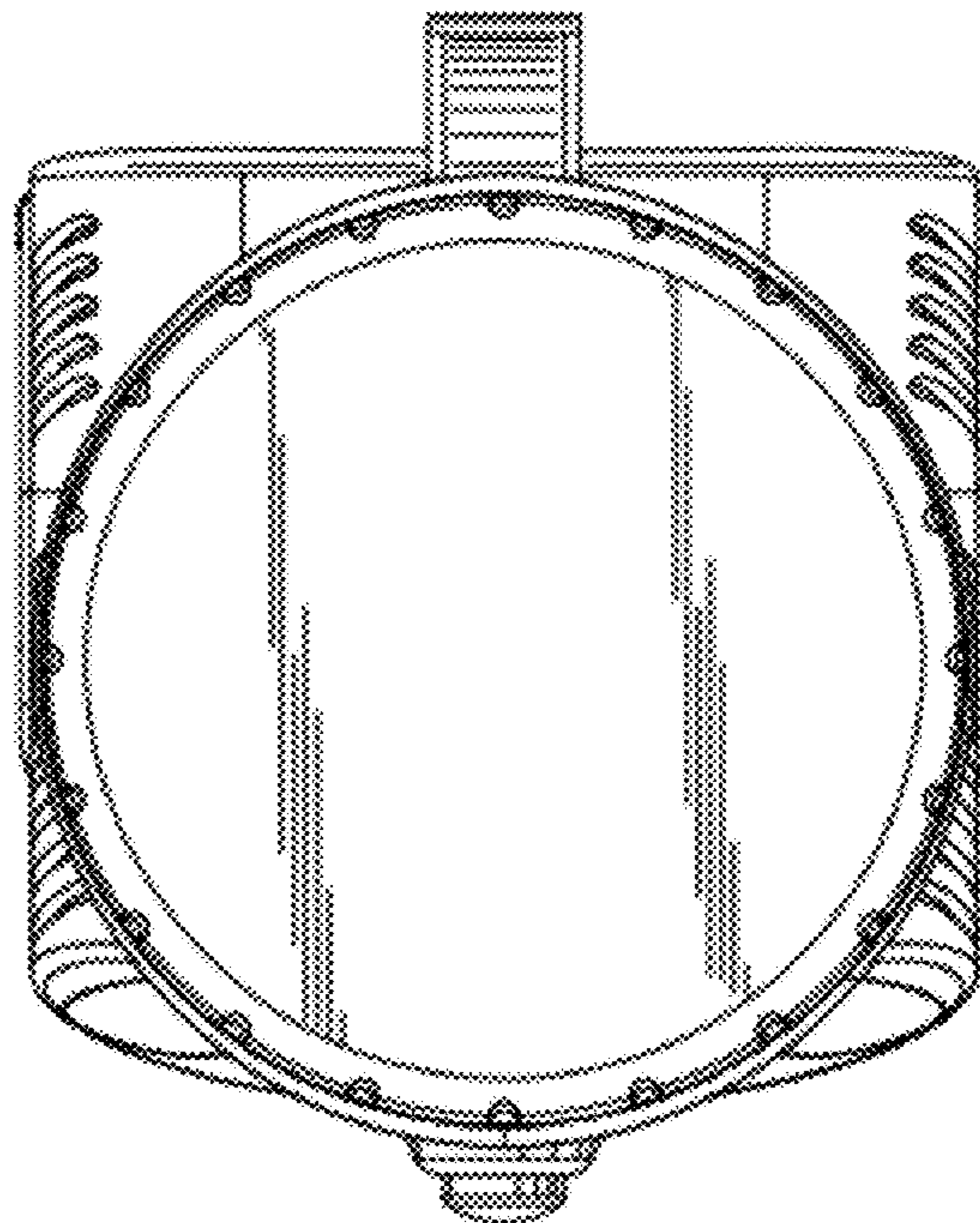


Fig. 8

