



US00D676535S

(12) **United States Design Patent**  
**Barrett**

(10) **Patent No.:** **US D676,535 S**  
(45) **Date of Patent:** **\*\* Feb. 19, 2013**

(54) **LIGHTED HEADPIECE WITH FAN FOR PORTABLE WORK LIGHT**

2009/0228081 A1 9/2009 Perez  
2010/0110687 A1 5/2010 Zheng  
2010/0177502 A1 7/2010 Lau

(76) Inventor: **Kenneth A. Barrett**, Montgomery, AL (US)

(\*\*) Term: **14 Years**

(21) Appl. No.: **29/408,025**

(22) Filed: **Dec. 6, 2011**

(51) **LOC (9) Cl.** ..... **23-04**

(52) **U.S. Cl.** ..... **D23/328; D23/382; D26/59**

(58) **Field of Classification Search** ..... D23/328, D23/332, 341, 355, 370, 381, 382, 386, 411; D26/59; 248/159-161; 416/5, 240; 362/184, 362/373, 577, 183, 198; 392/381, 382, 383  
See application file for complete search history.

(56) **References Cited**

**U.S. PATENT DOCUMENTS**

1,504,003	A *	8/1924	Trumbull	416/5
4,586,117	A *	4/1986	Collins	362/373
D335,529	S *	5/1993	San-Jou	D23/324
5,255,468	A	10/1993	Cheshire, Jr.	
D351,901	S *	10/1994	Boruch et al.	D23/328
5,408,393	A	4/1995	Becker	
D384,144	S *	9/1997	DuBois	D23/370
5,725,356	A *	3/1998	Carter	416/240
5,746,495	A *	5/1998	Klamm	362/577
D396,104	S *	7/1998	Radtke	D23/379
5,791,763	A *	8/1998	Kam-Hoi	362/183
D406,331	S *	3/1999	Chan	D23/382
D461,552	S *	8/2002	Wright	D23/379
7,017,871	B2 *	3/2006	Chen	248/161
7,322,716	B1 *	1/2008	Atkinson	362/198
D569,495	S *	5/2008	Reiser	D23/411
7,390,105	B2	6/2008	Nelson et al.	
7,461,963	B2	12/2008	Ono et al.	
7,471,883	B2 *	12/2008	Seutter et al.	392/381
7,563,070	B2	7/2009	Lin et al.	
7,609,333	B2	10/2009	Fukuda	
7,635,201	B2	12/2009	Deng	
7,872,275	B2	1/2011	Diamantidis	
D635,656	S *	4/2011	Ghosn	D23/370
2003/0179572	A1	9/2003	Schnell	
2009/0072165	A1	3/2009	Townsend	

**OTHER PUBLICATIONS**

[http://www.alibaba.com/product-gs/492864317/hot\\_selling\\_3W\\_LED\\_FLEXIBLE\\_CLAMP.html](http://www.alibaba.com/product-gs/492864317/hot_selling_3W_LED_FLEXIBLE_CLAMP.html) 11 pages from website dated Sep. 14, 2011 and directed to a LED flexible clamp light.  
<http://www.baskblade.com/ProductAccessory/bask-blade-adjustable-claw-grip.aspx> 4 pages from website dated Sep. 14, 2011 and directed to a flexible adjustable claw grip for use with an LED utility lamp.

\* cited by examiner

*Primary Examiner* — Janice Seeger

*Assistant Examiner* — Martie K Holtje

(74) *Attorney, Agent, or Firm* — Kenneth M. Bush; Bush Intellectual Property Law

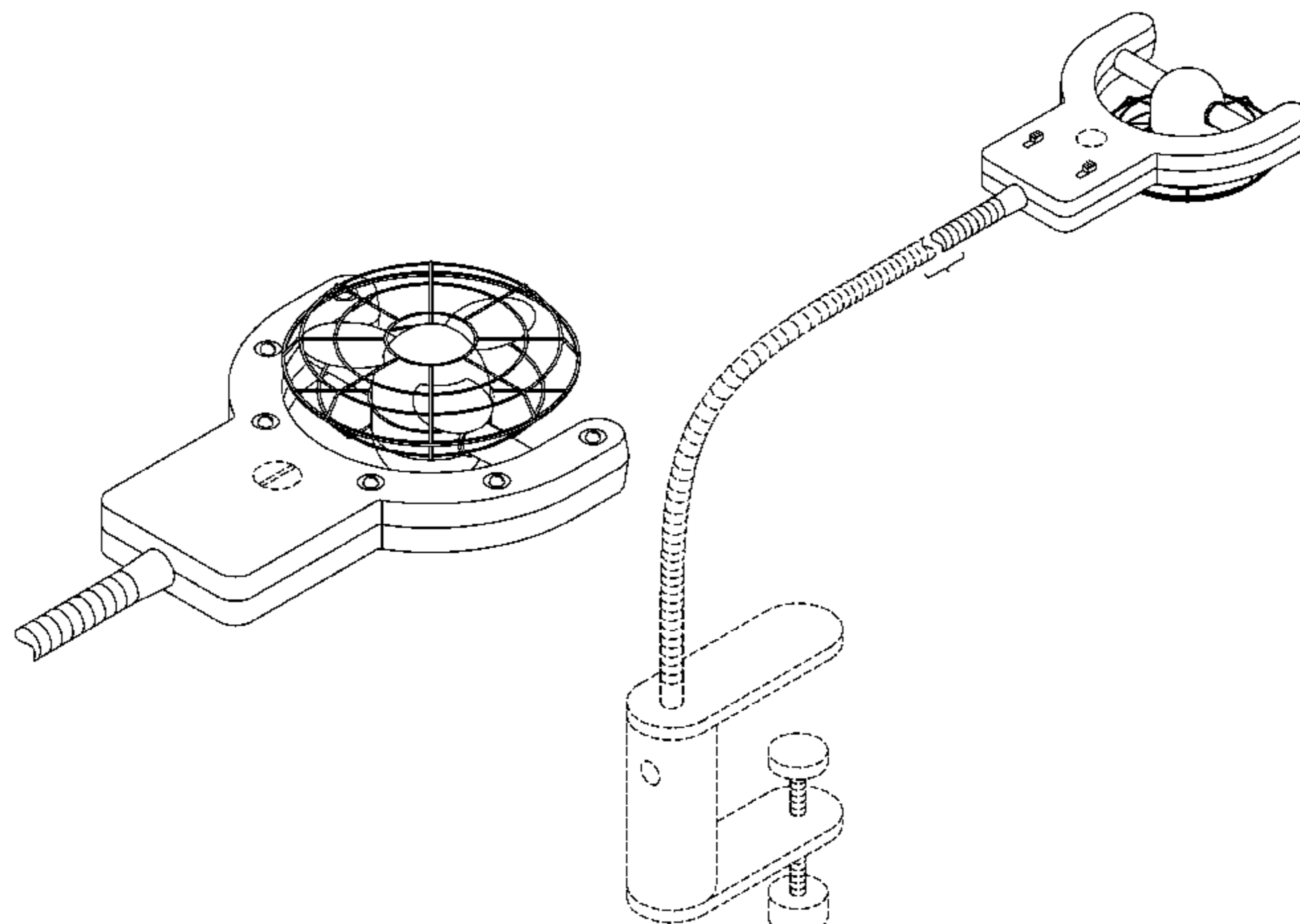
(57) **CLAIM**

I claim the ornamental design for a lighted headpiece with fan for portable work light, as shown and described.

**DESCRIPTION**

FIG. 1 is a top front perspective view of a lighted headpiece with fan for portable work light showing my new design; FIG. 2 is a top rear perspective view thereof; FIG. 3 is a bottom front perspective view thereof; FIG. 4 is a bottom rear perspective view thereof; FIG. 5 is a top plan view thereof; FIG. 6 is a bottom plan view thereof; FIG. 7 is a left side elevational view thereof; FIG. 8 is a right side elevational view thereof; FIG. 9 is a front elevational view thereof; FIG. 10 is a rear elevational view thereof; and, FIG. 11 is a top rear perspective view thereof, drawn to a reduced scale, and shown attached to a flexible coil and table clamp, depicted by means of broken lines for the purpose of illustrating environmental structure, which form no part of the claimed design. The broken line showing of the structural elements in the figures is included for the purpose of illustrating portions of the article that form no part of the claimed design. The ornamental design for a lighted headpiece for a portable work light wherein the headpiece includes a U-shaped portion having a plurality of light emitting diodes and a fan mounted in the headpiece.

**1 Claim, 5 Drawing Sheets**



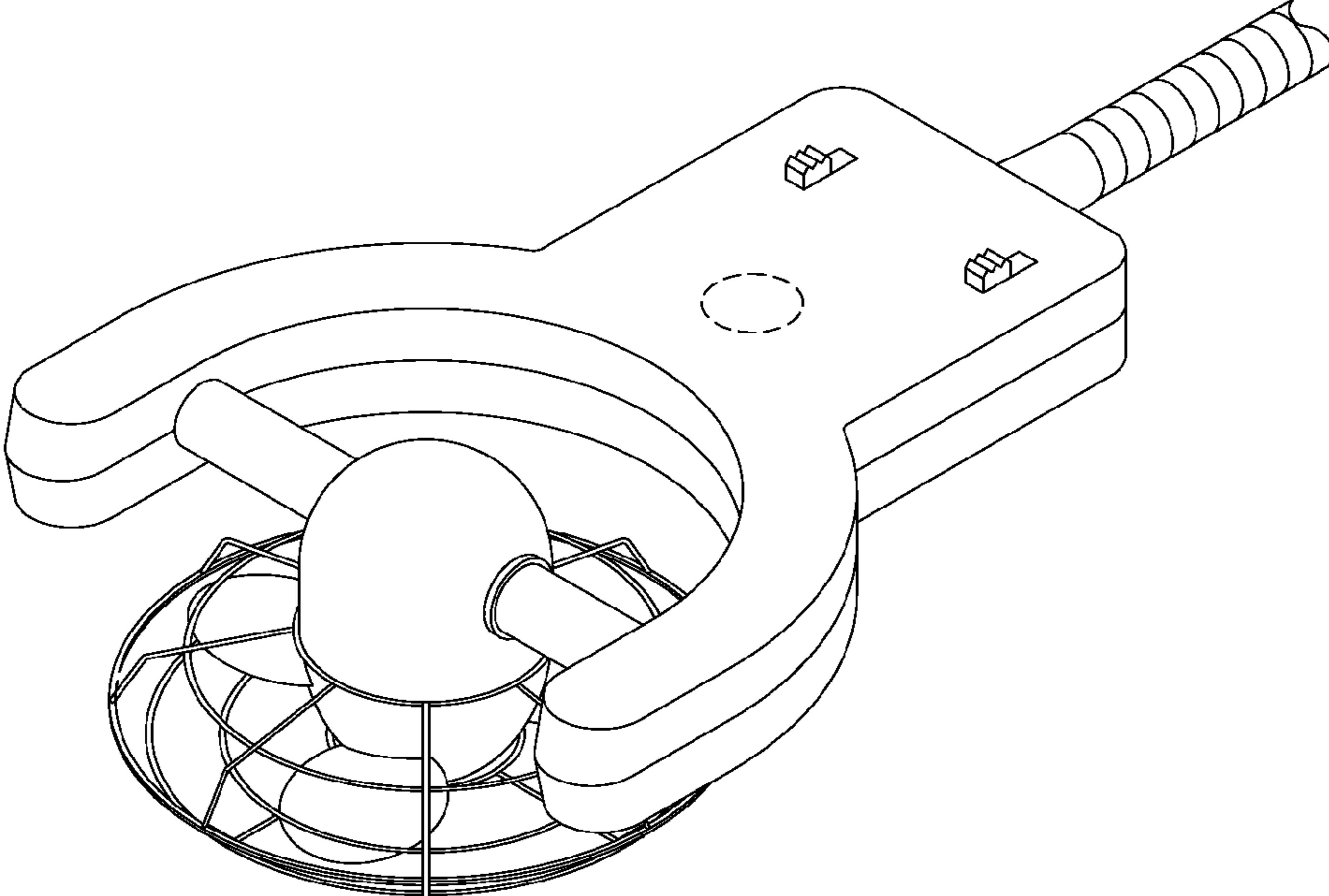


FIG. 1

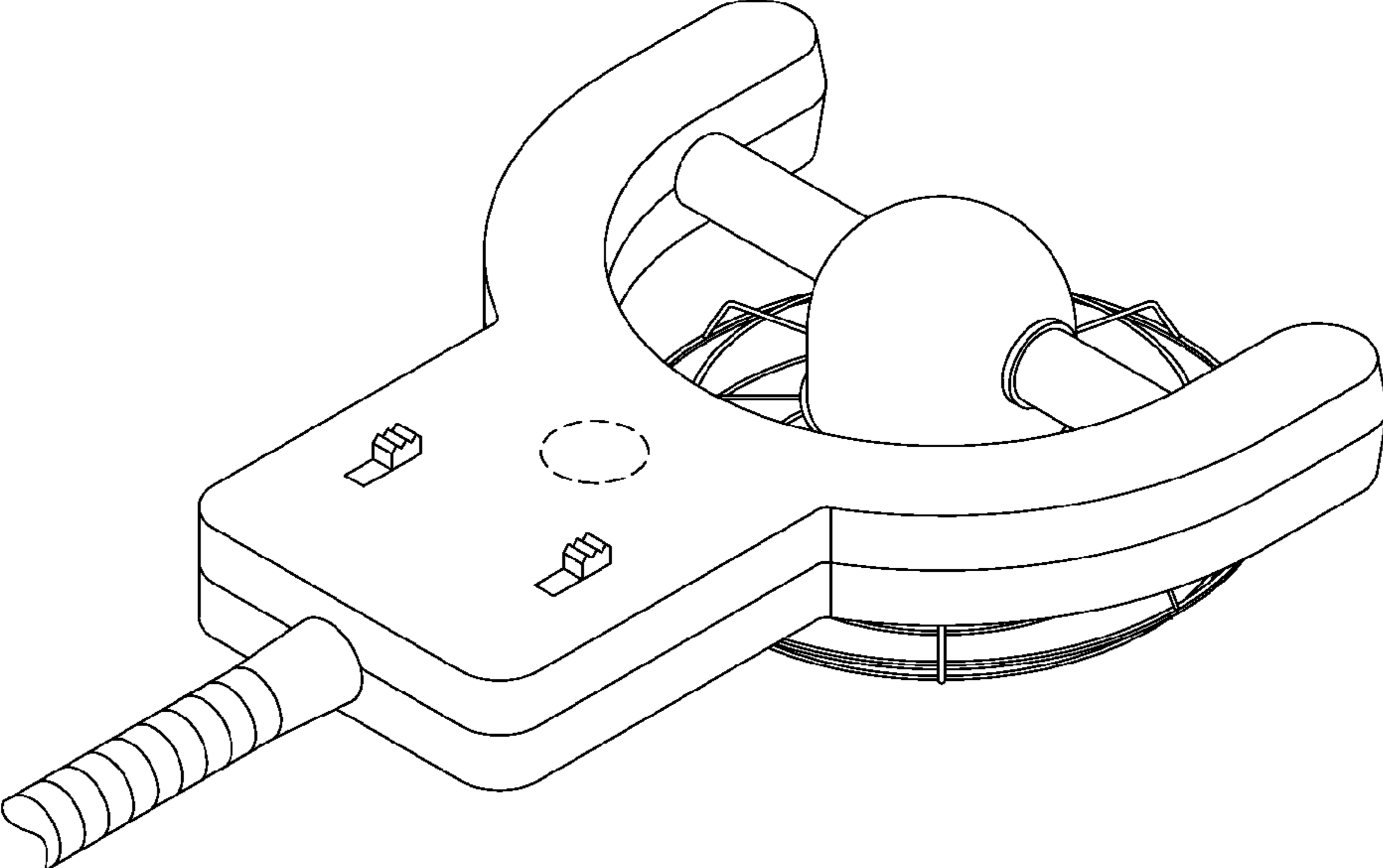


FIG. 2

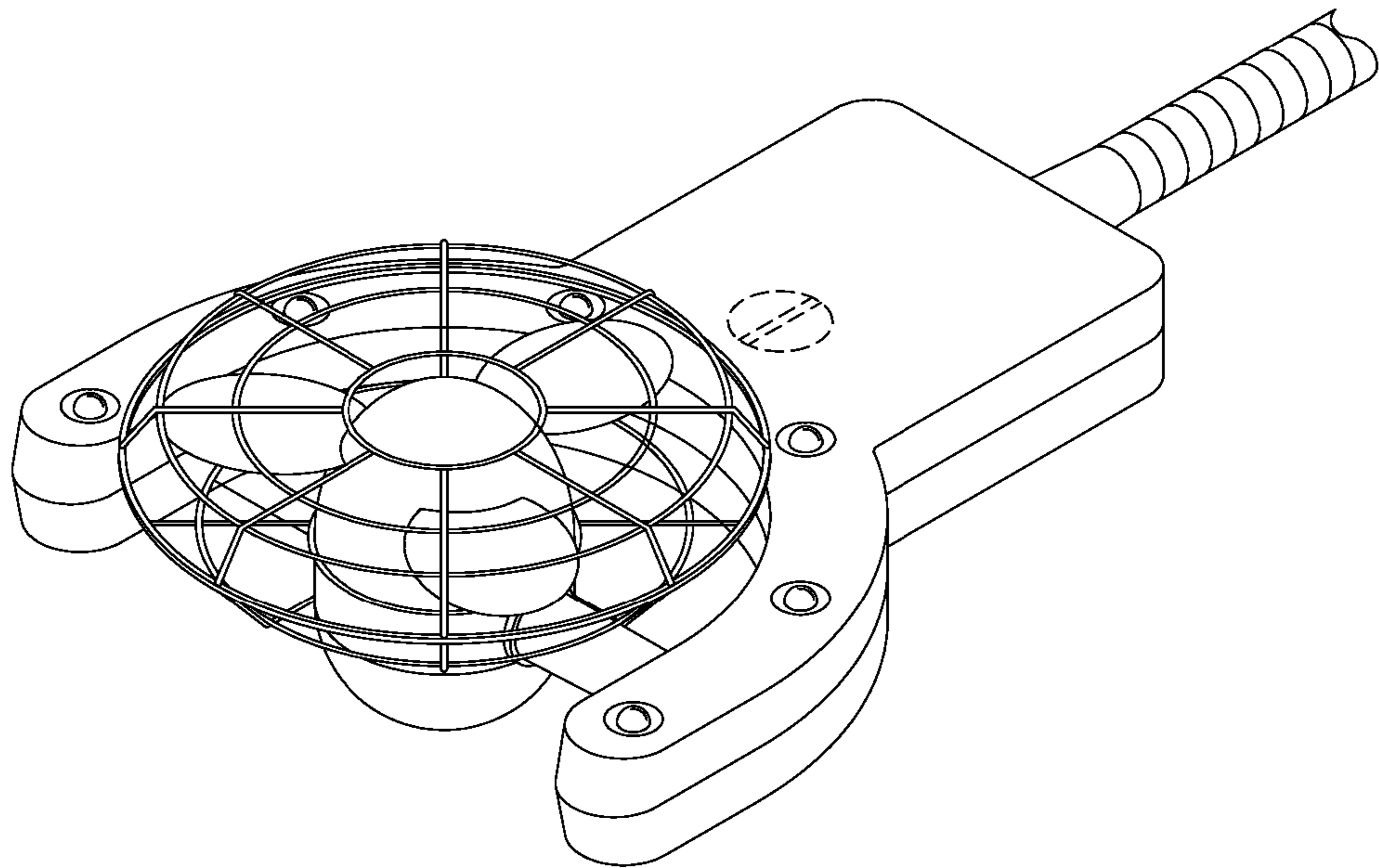


FIG. 3

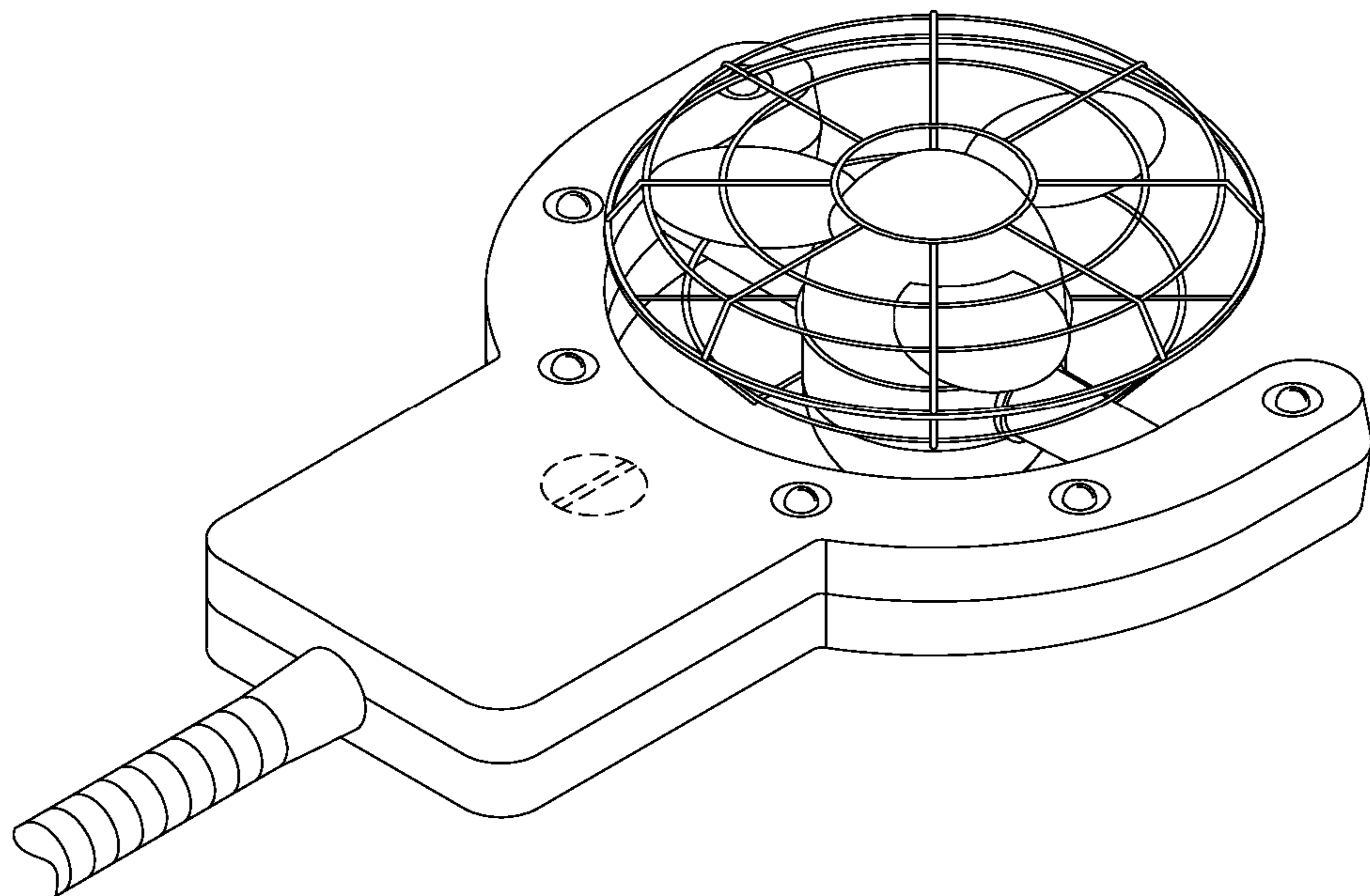


FIG. 4

FIG. 5

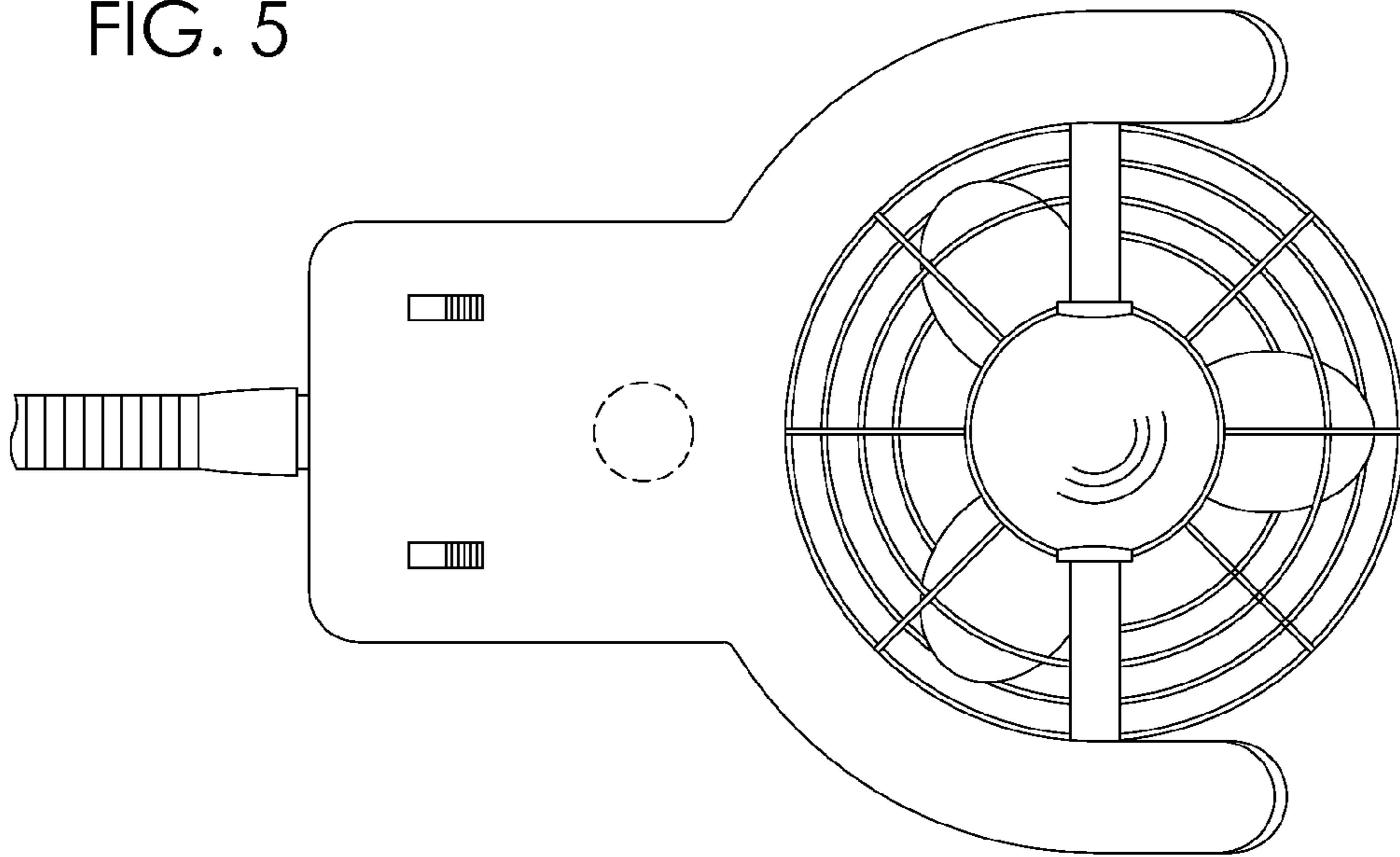
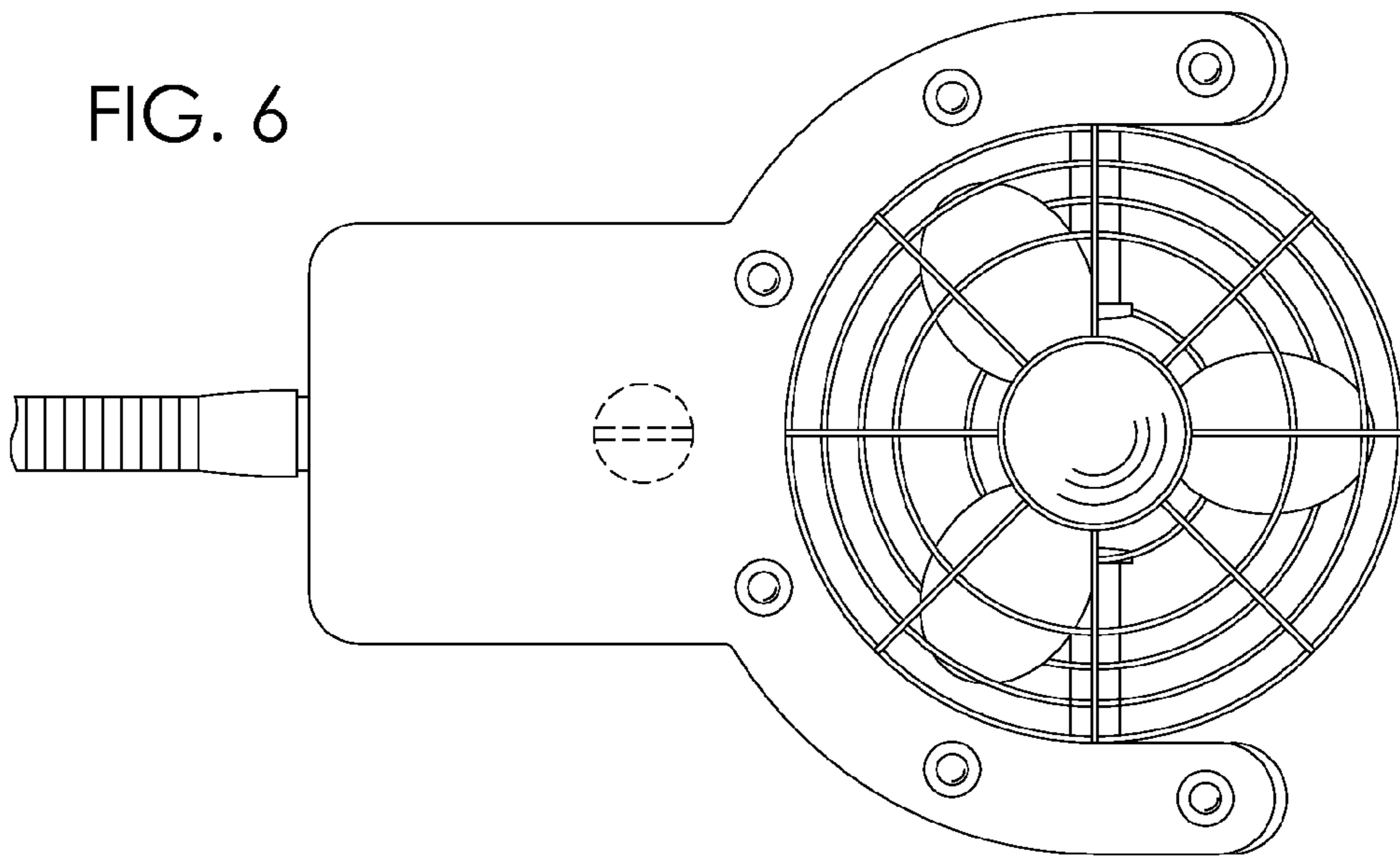


FIG. 6



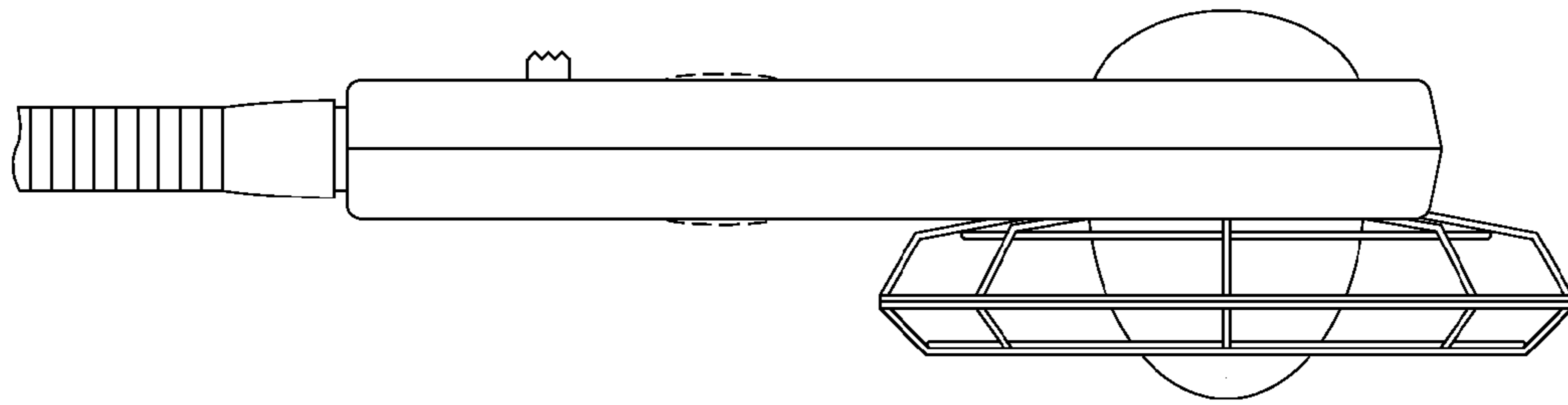


FIG. 7

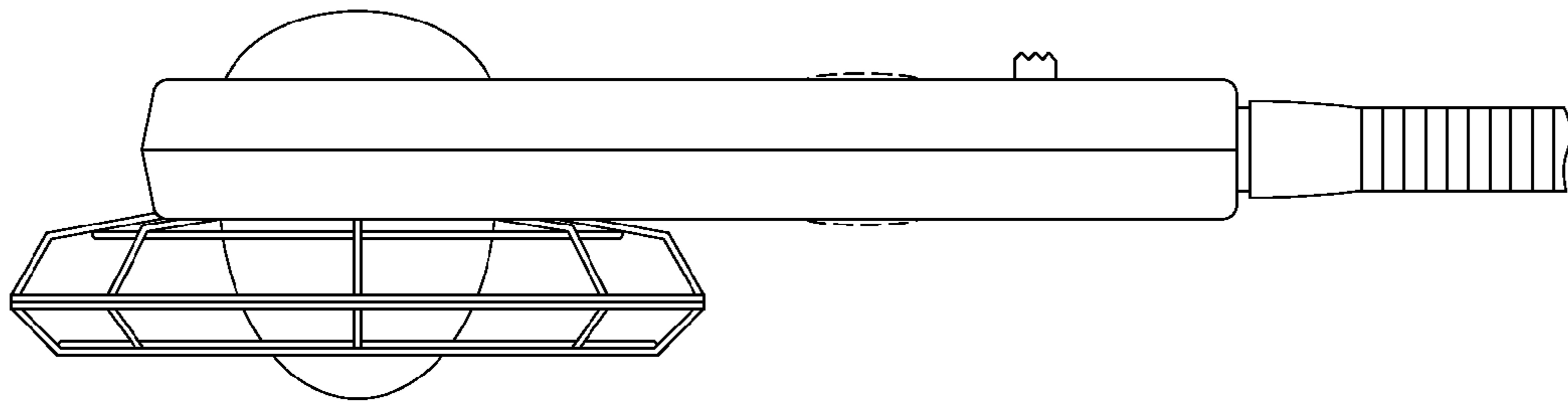


FIG. 8

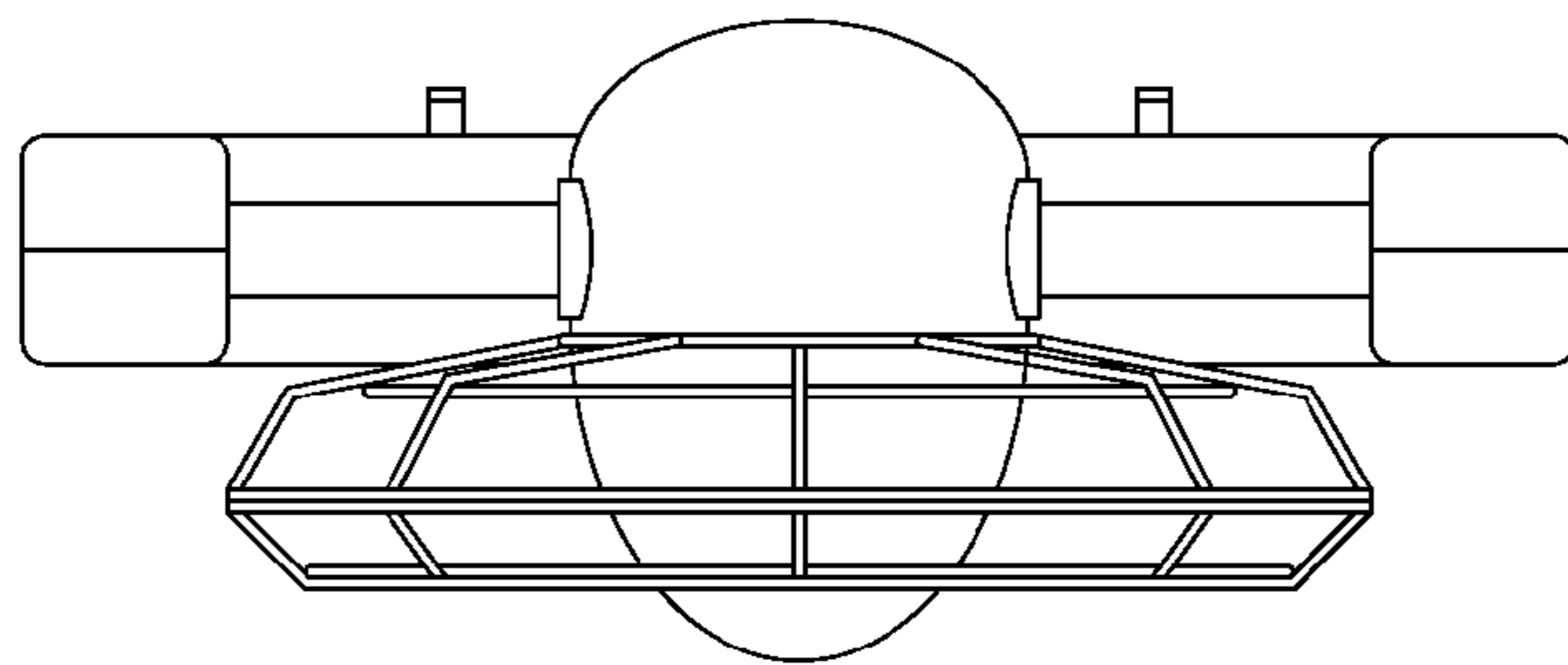


FIG. 9

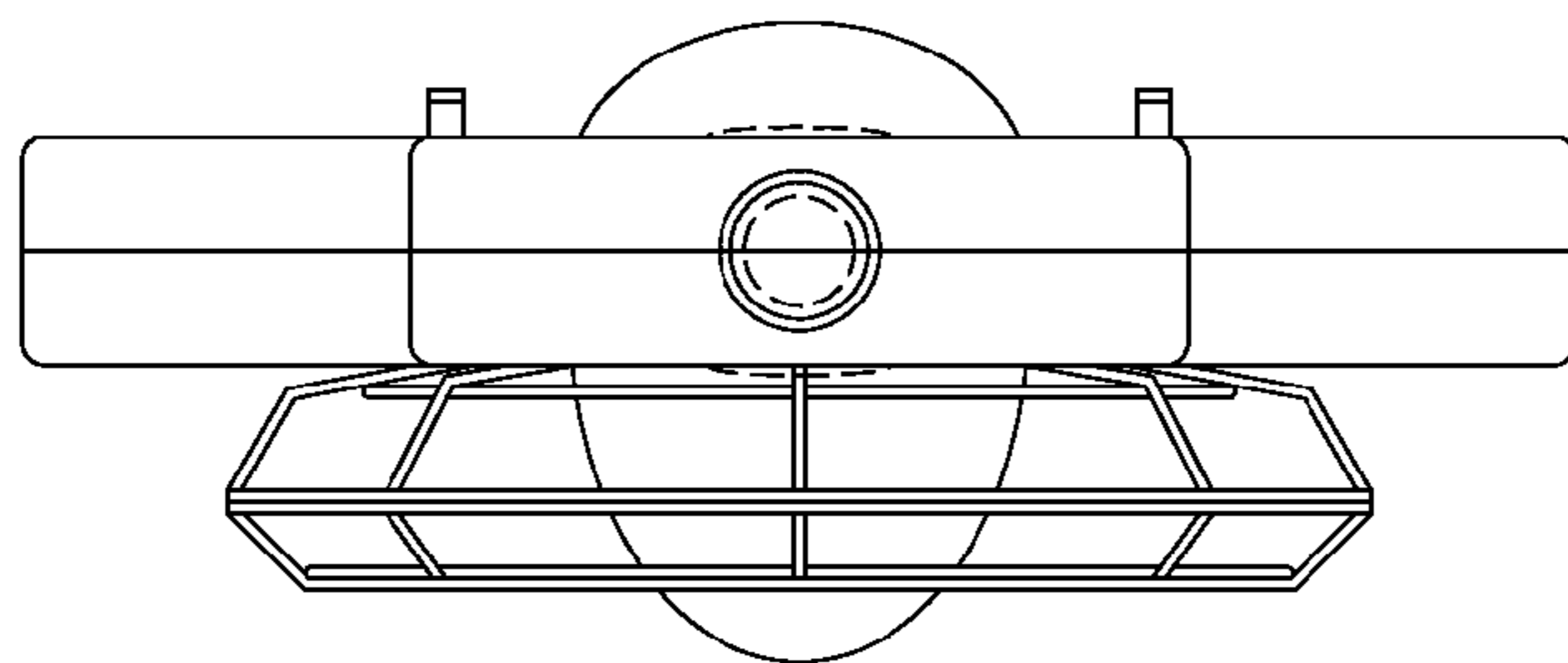


FIG. 10

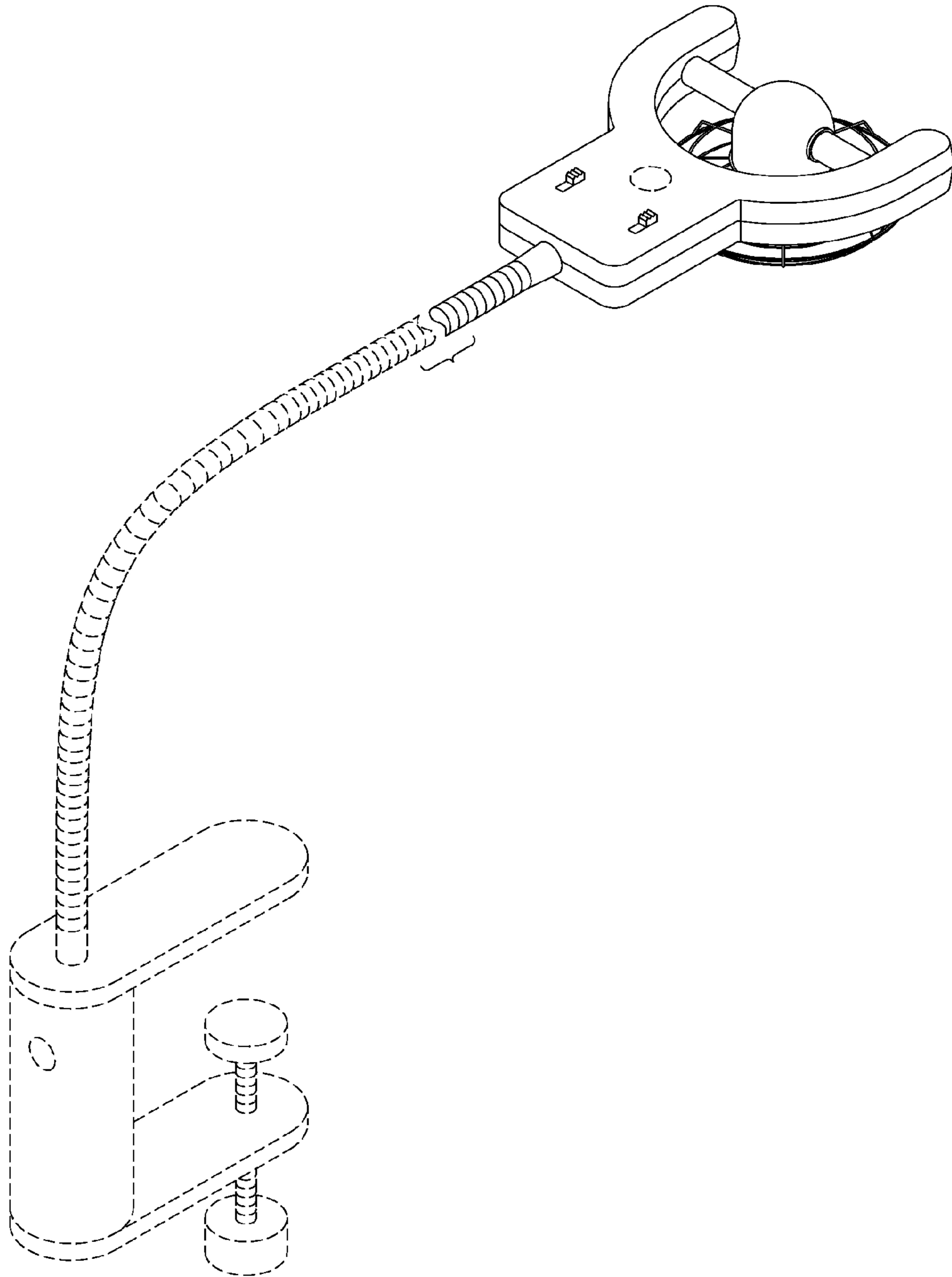


FIG. 11