



US00D676534S

(12) **United States Design Patent**
Lam

(10) **Patent No.:** **US D676,534 S**

(45) **Date of Patent:** **** Feb. 19, 2013**

(54) **SHOWER STORAGE COMPARTMENT**

(76) Inventor: **William B Lam**, San Francisco, CA
(US)

(**) Term: **14 Years**

(21) Appl. No.: **29/400,809**

(22) Filed: **Sep. 1, 2011**

(51) **LOC (9) Cl.** **23-02**

(52) **U.S. Cl.** **D23/304**

(58) **Field of Classification Search** D23/275,
D23/283, 303-305; 4/584, 549, 552, 596,
4/597, 614; D6/568; 312/242

See application file for complete search history.

(56) **References Cited**

U.S. PATENT DOCUMENTS

2,070,641	A *	2/1937	Bartels	312/242
2,572,463	A *	10/1951	Fine	4/549
3,580,395	A *	5/1971	Weaver et al.	312/242
D238,275	S *	12/1975	Folden	D23/275
4,681,380	A *	7/1987	Carlin	312/242
4,815,795	A *	3/1989	Accumanno et al.	312/242

5,307,530	A *	5/1994	Duvall et al.	4/596
D653,316	S *	1/2012	Beswick et al.	D23/305
D666,433	S *	9/2012	Williams	D6/470

* cited by examiner

Primary Examiner — Robert Delehanty

(74) *Attorney, Agent, or Firm* — James M Smedley LLC;
James M Smedley, Esq.

(57) **CLAIM**

We claim the ornamental design for a shower storage compartment, as shown and described.

DESCRIPTION

FIG. 1 is a perspective view showing the new design.

FIG. 2 is a front view showing the new design.

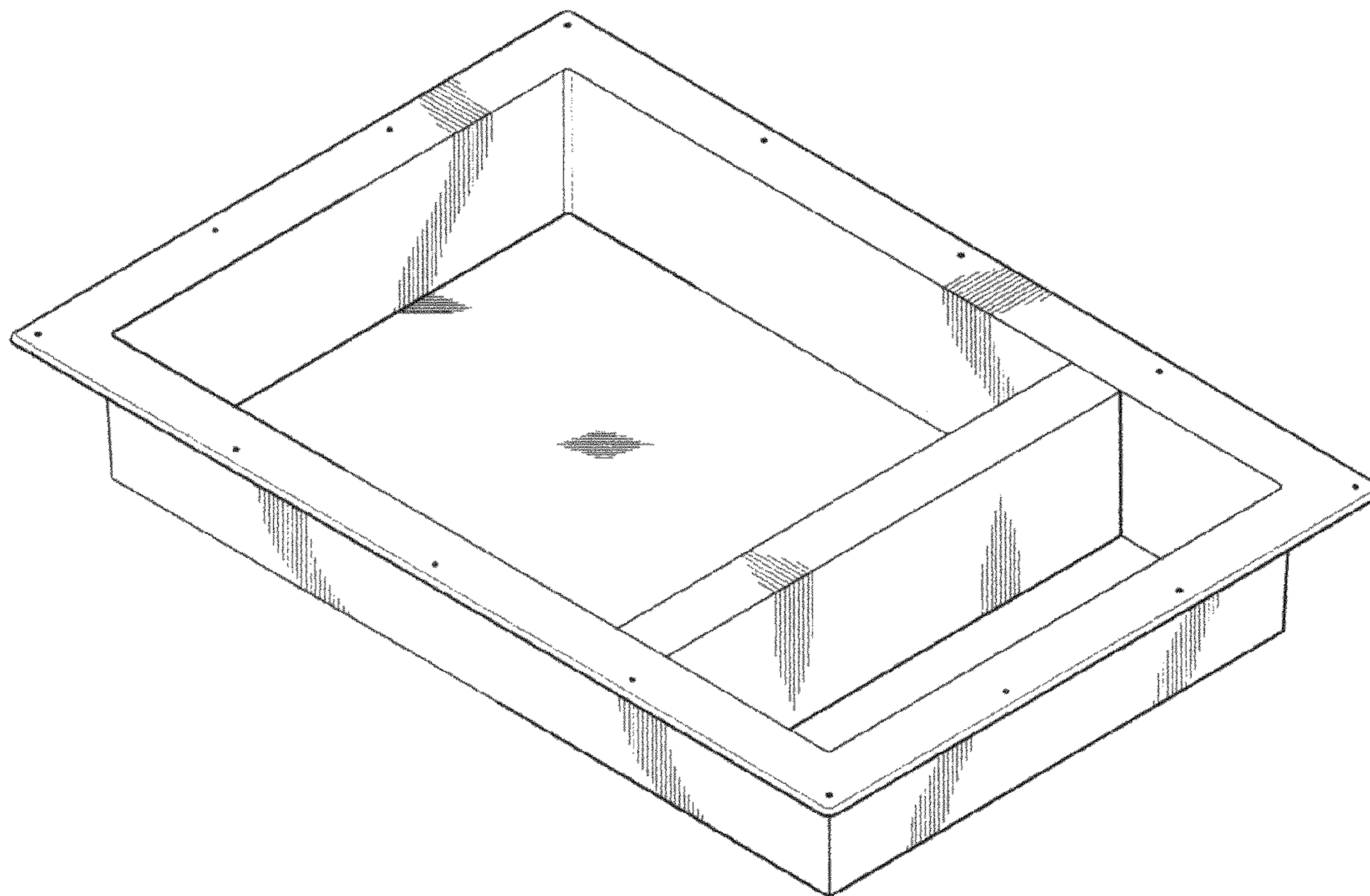
FIG. 3 is a top view showing the new design.

FIG. 4 is a bottom view showing the new design; and,

FIG. 5 is a side view showing the new design.

The shading lines shown in the drawings represent the approximate three-dimensional contour of the design, and are not intended to indicate surface decoration.

1 Claim, 3 Drawing Sheets



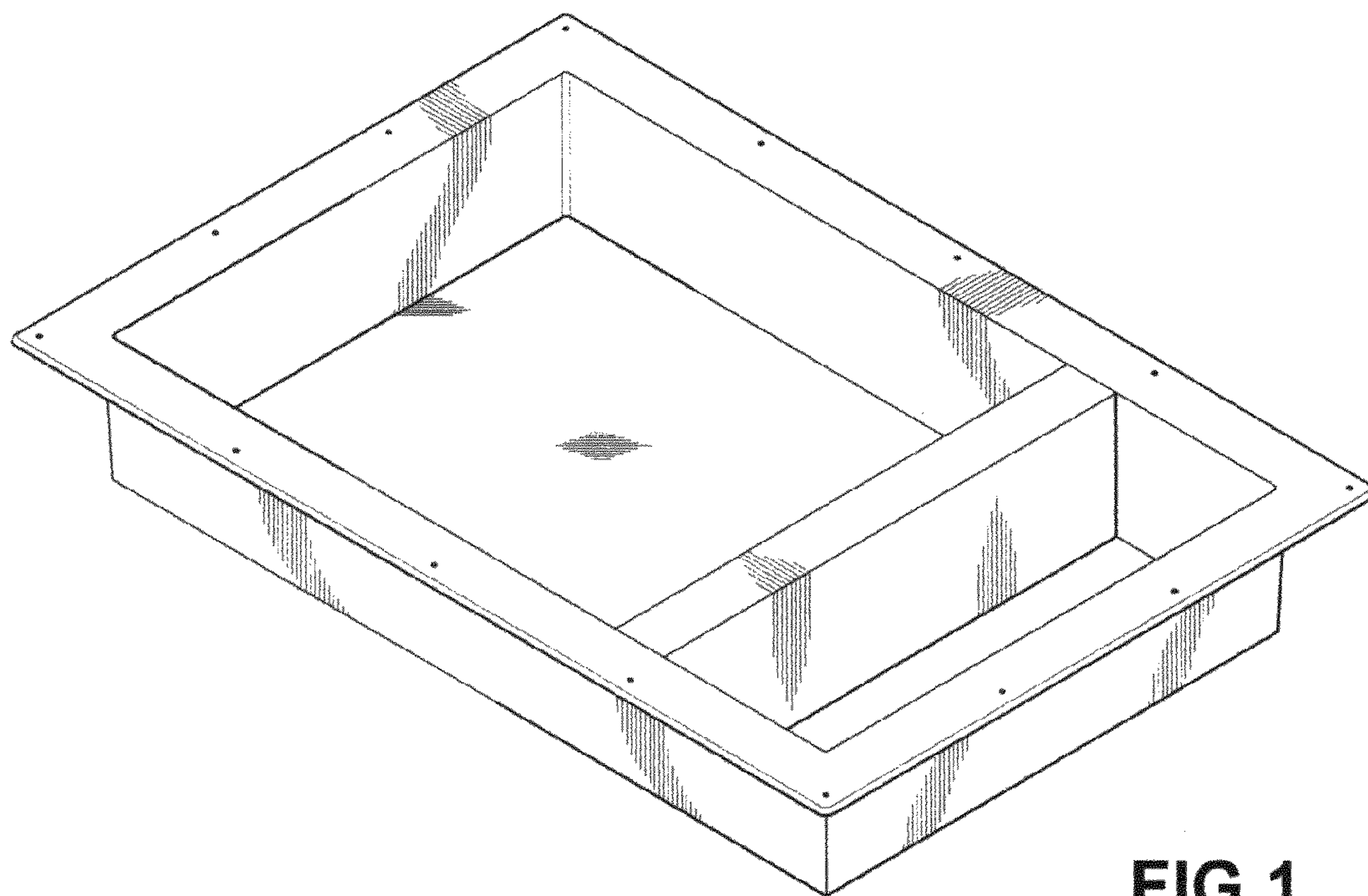


FIG. 1

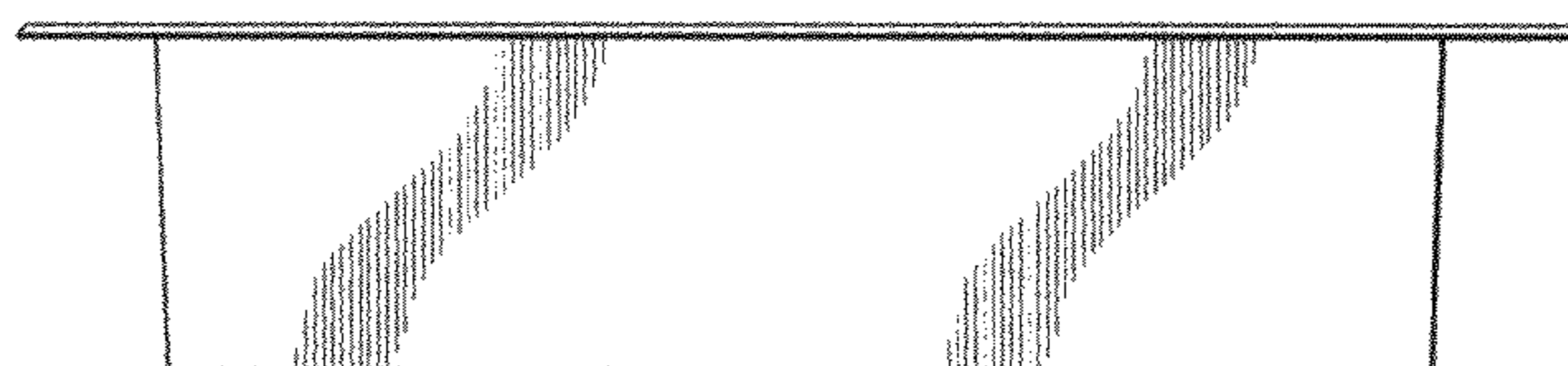


FIG. 2

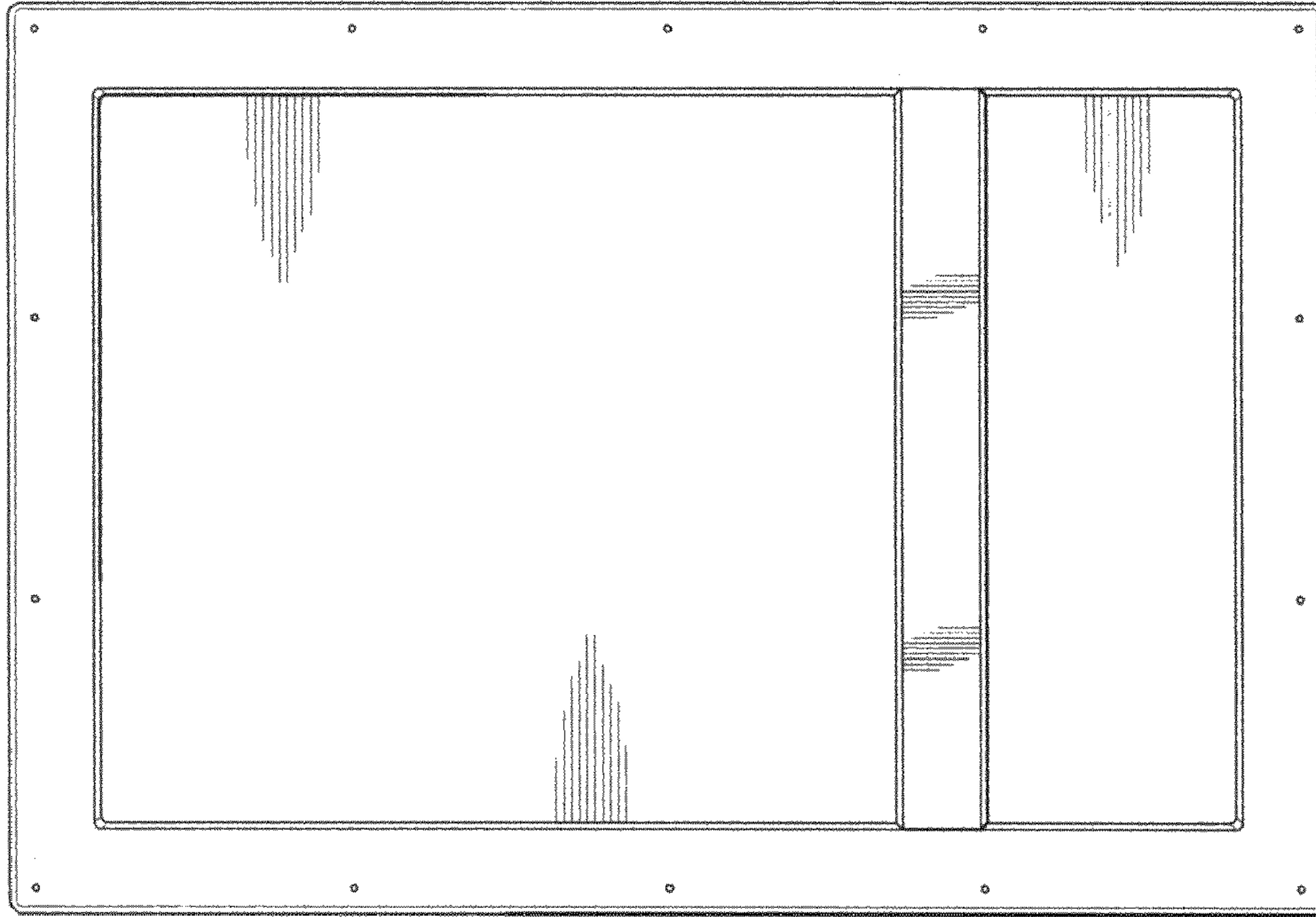


FIG.3

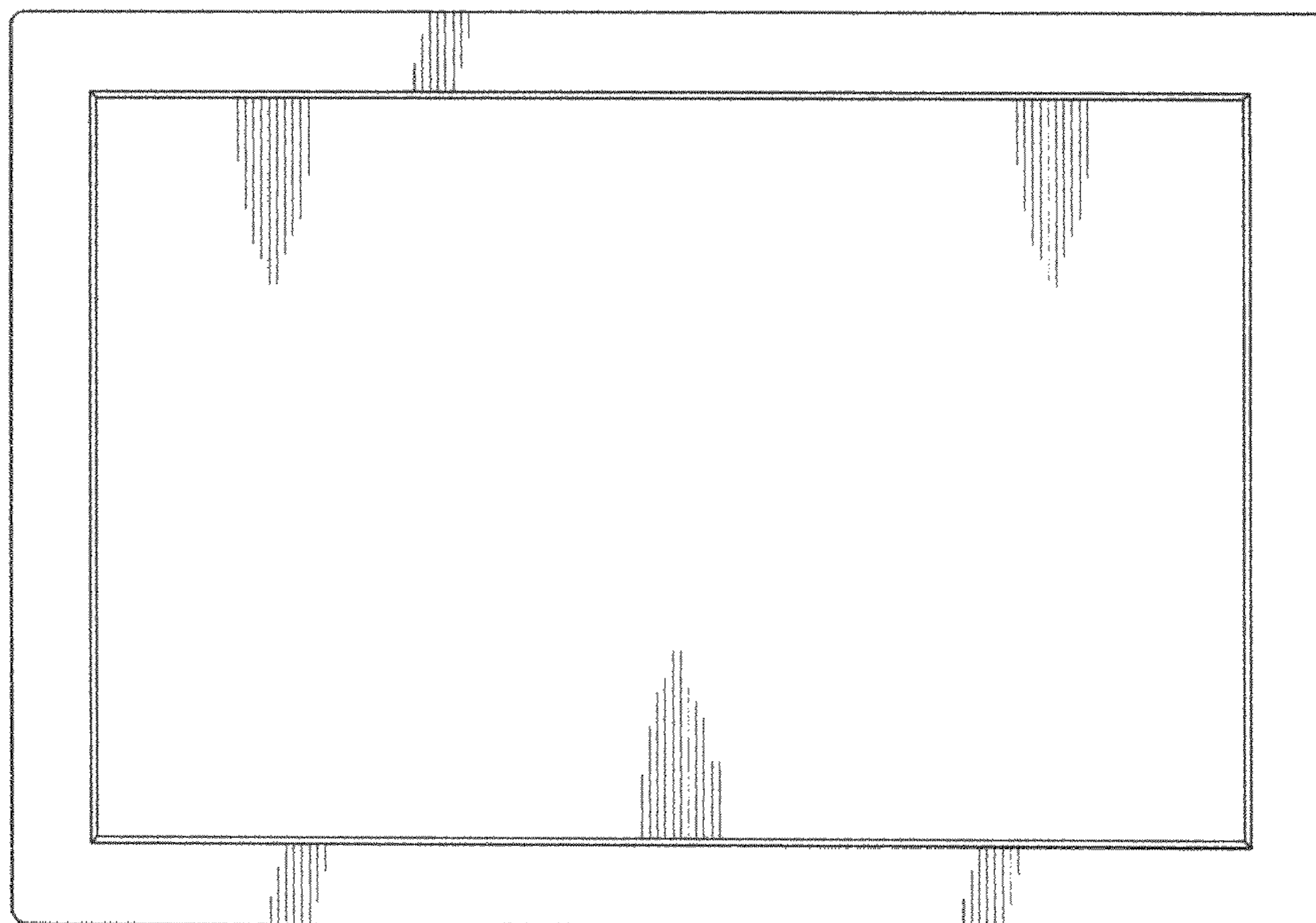


FIG.4

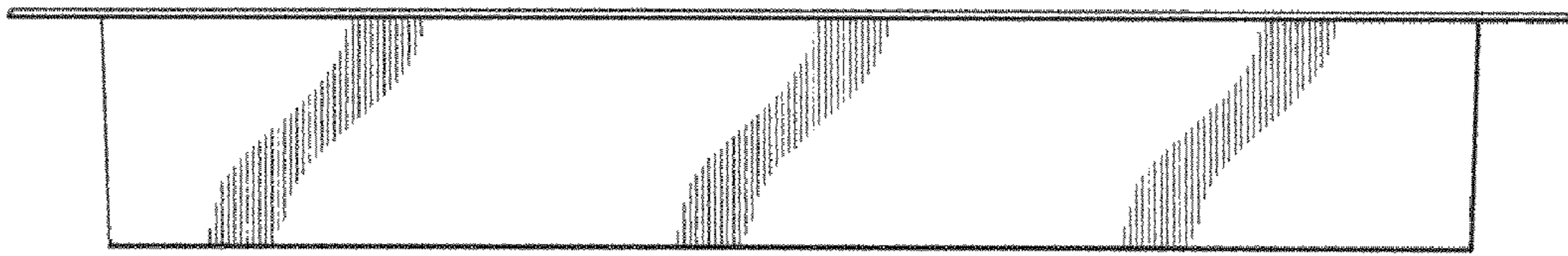


FIG.5