



US00D676533S

(12) **United States Design Patent**
Clarke

(10) **Patent No.:** **US D676,533 S**

(45) **Date of Patent:** **** Feb. 19, 2013**

(54) **PLUMBING FIXTURE**

(76) **Inventor:** **W. Michael Clarke**, Powhatan, VA (US)

(**) **Term:** **14 Years**

(21) **Appl. No.:** **29/416,312**

(22) **Filed:** **Mar. 21, 2012**

(51) **LOC (9) Cl.** **23-01**

(52) **U.S. Cl.** **D23/266; D23/263**

(58) **Field of Classification Search** D23/266;
D13/155; 138/111, 118-119, 123, 155, 158,
138/167, 177, DIG. 8; 285/179

See application file for complete search history.

(56) **References Cited**

U.S. PATENT DOCUMENTS

| | | | | | |
|-----------|-----|---------|----------------|-------|-----------|
| 622,326 | A * | 4/1899 | Burnett | | 285/129.1 |
| 872,332 | A * | 12/1907 | Dreier | | 285/136.1 |
| 1,152,974 | A * | 9/1915 | Rice | | 285/142.1 |
| 5,016,923 | A * | 5/1991 | Adamaitis | | 285/179.1 |
| D357,061 | S * | 4/1995 | Gifford | | D23/263 |
| D365,625 | S * | 12/1995 | Bova | | D23/266 |
| D522,616 | S * | 6/2006 | Minnick et al. | | D23/233 |

| | | | | | |
|--------------|------|---------|---------------|-------|------------|
| D531,285 | S * | 10/2006 | Williams | | D23/268 |
| D549,805 | S * | 8/2007 | Quach | | D23/268 |
| 2012/0228867 | A1 * | 9/2012 | Duncan et al. | | 285/133.11 |

* cited by examiner

Primary Examiner — Eric Goodman

(74) *Attorney, Agent, or Firm* — QuickPatents; Kevin Prince

(57) **CLAIM**

I claim the ornamental design for a plumbing fixture, as shown and described.

DESCRIPTION

FIG. 1 is a perspective view of a plumbing fixture, showing my new design;

FIG. 2 is a front elevational view thereof;

FIG. 3 is a rear elevational view thereof;

FIG. 4 is a left-side elevational view thereof;

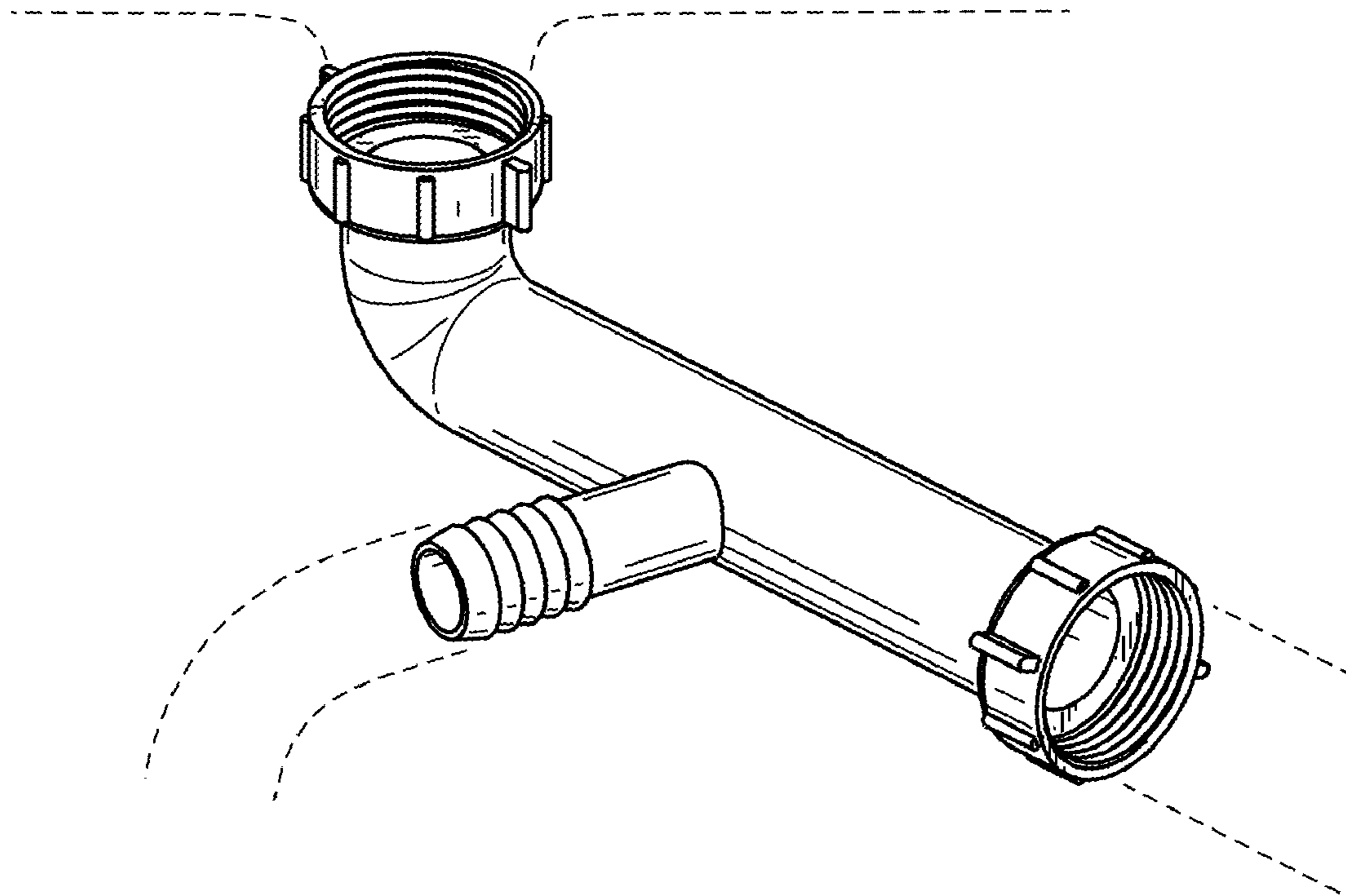
FIG. 5 is a top plan view thereof;

FIG. 6 is a right-side elevational view thereof; and,

FIG. 7 is a bottom plan view thereof.

The broken lines showing a sink and plumbing lines in FIG. 1 depict environmental matter and form no part of the claimed design.

1 Claim, 3 Drawing Sheets



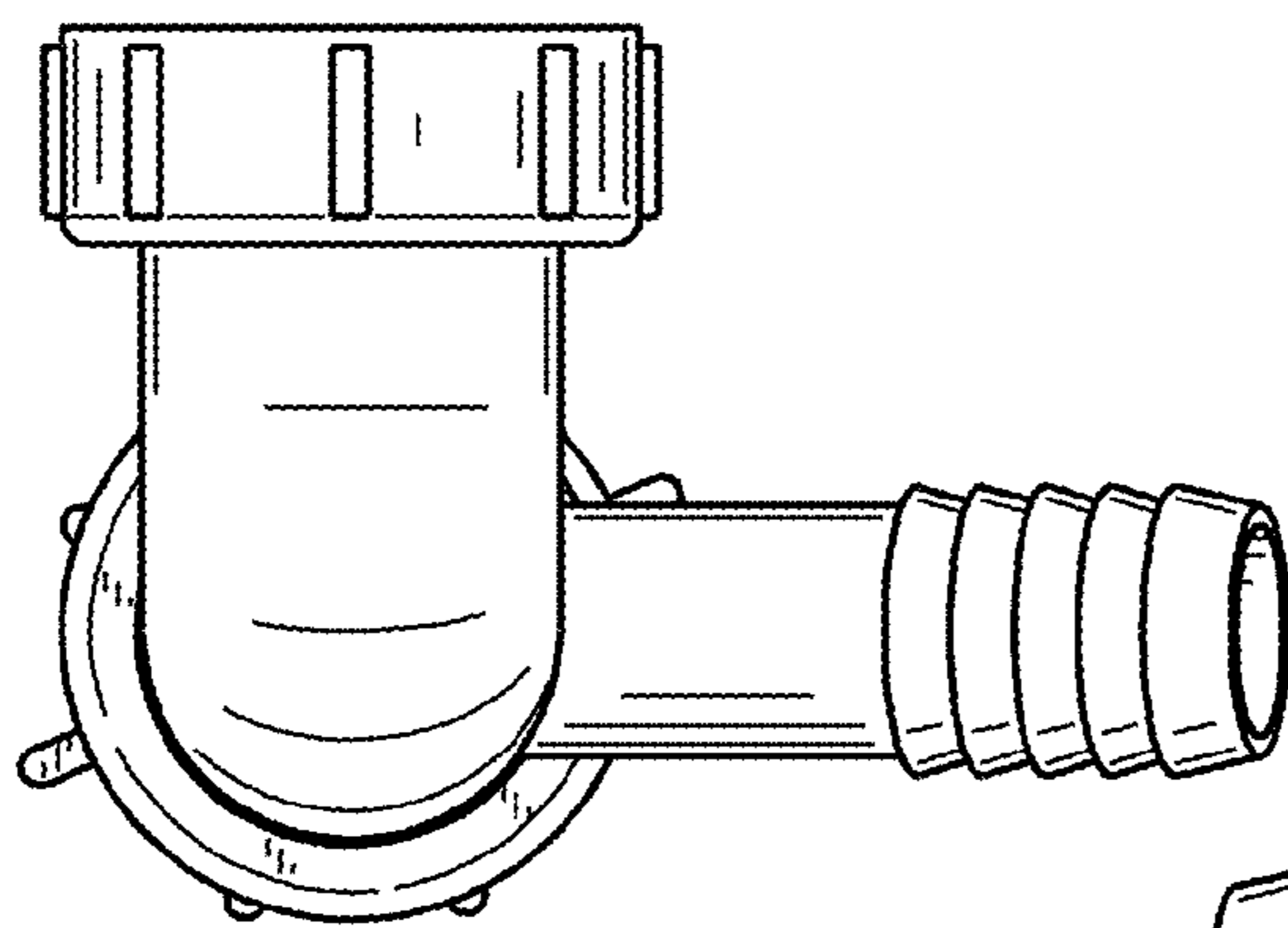
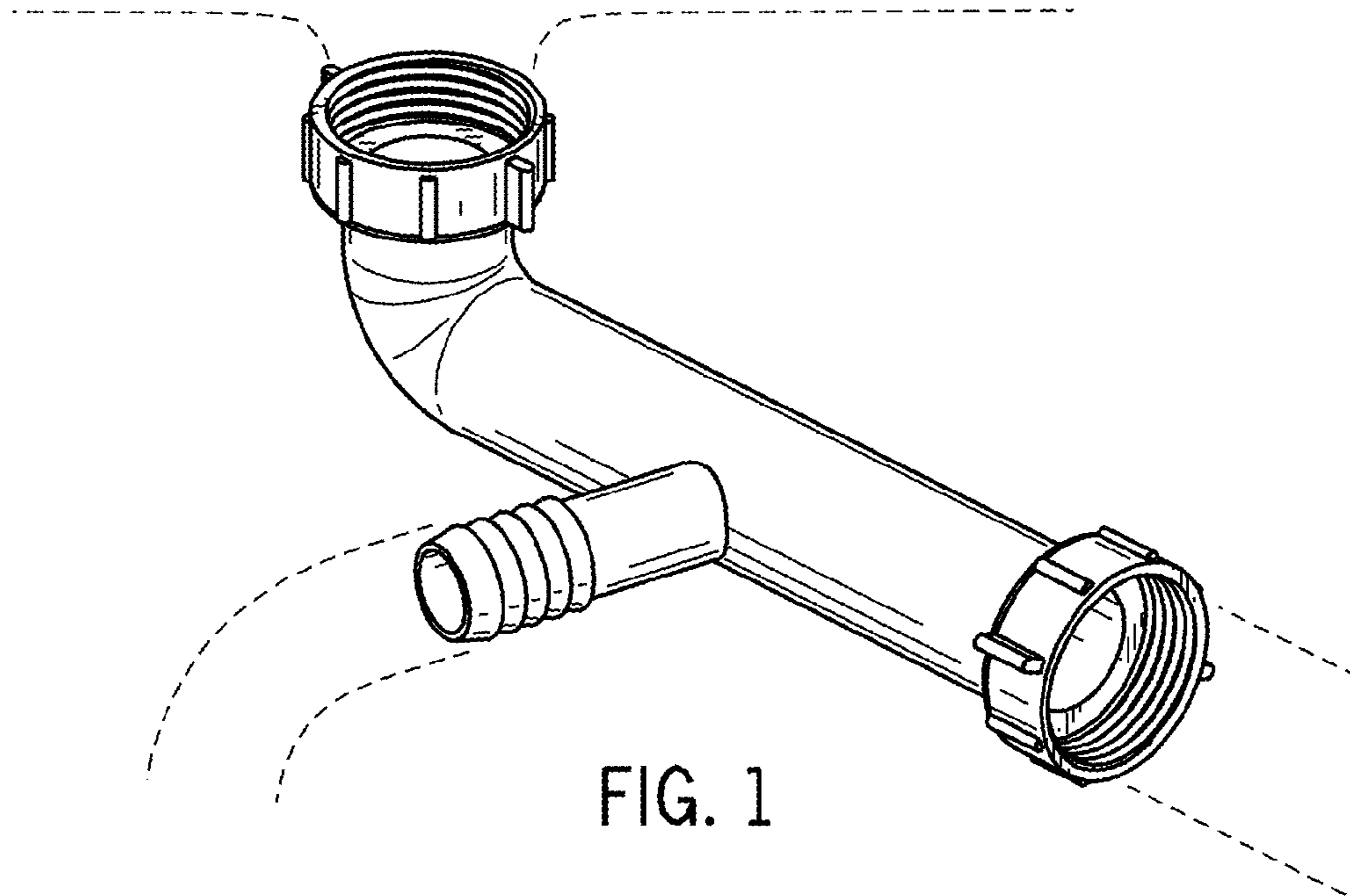


FIG. 2

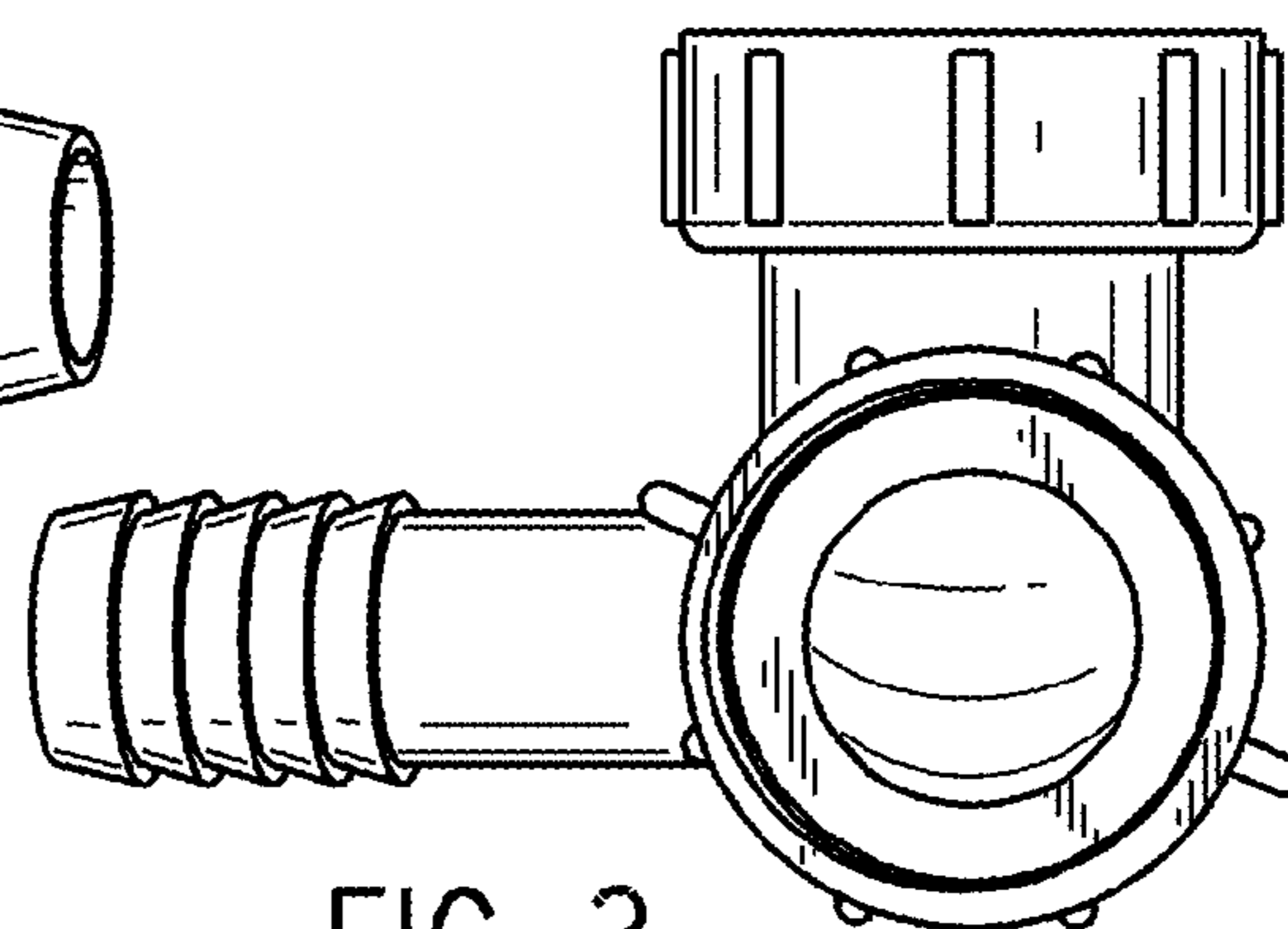


FIG. 3

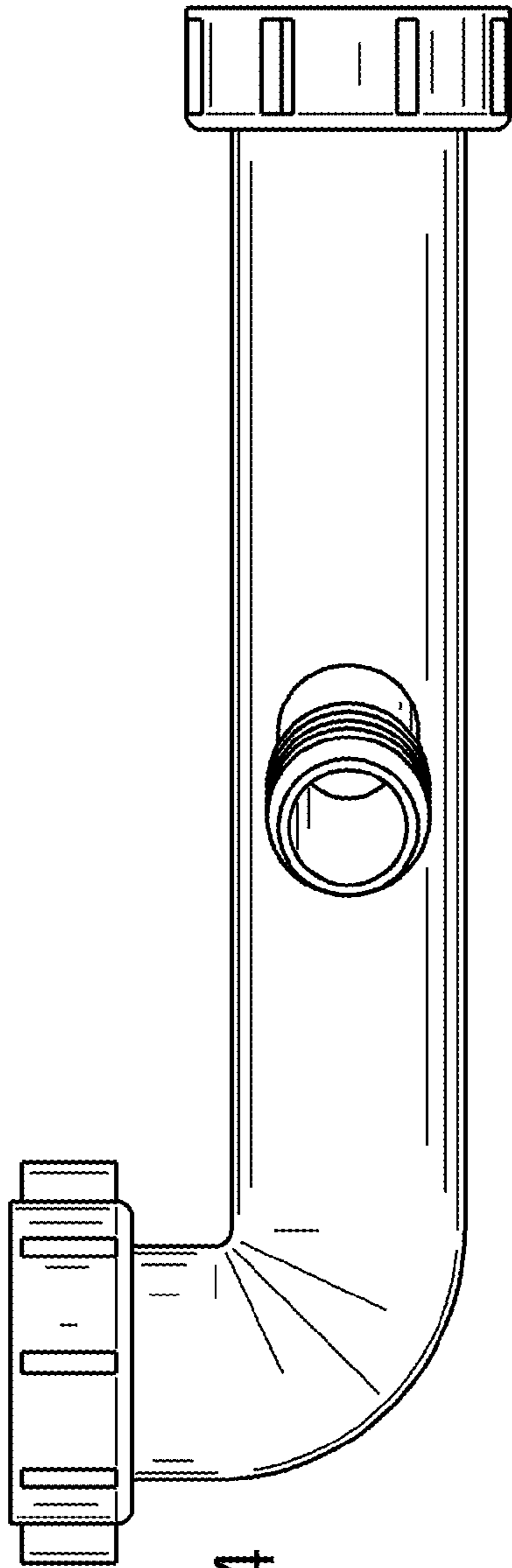


FIG. 4

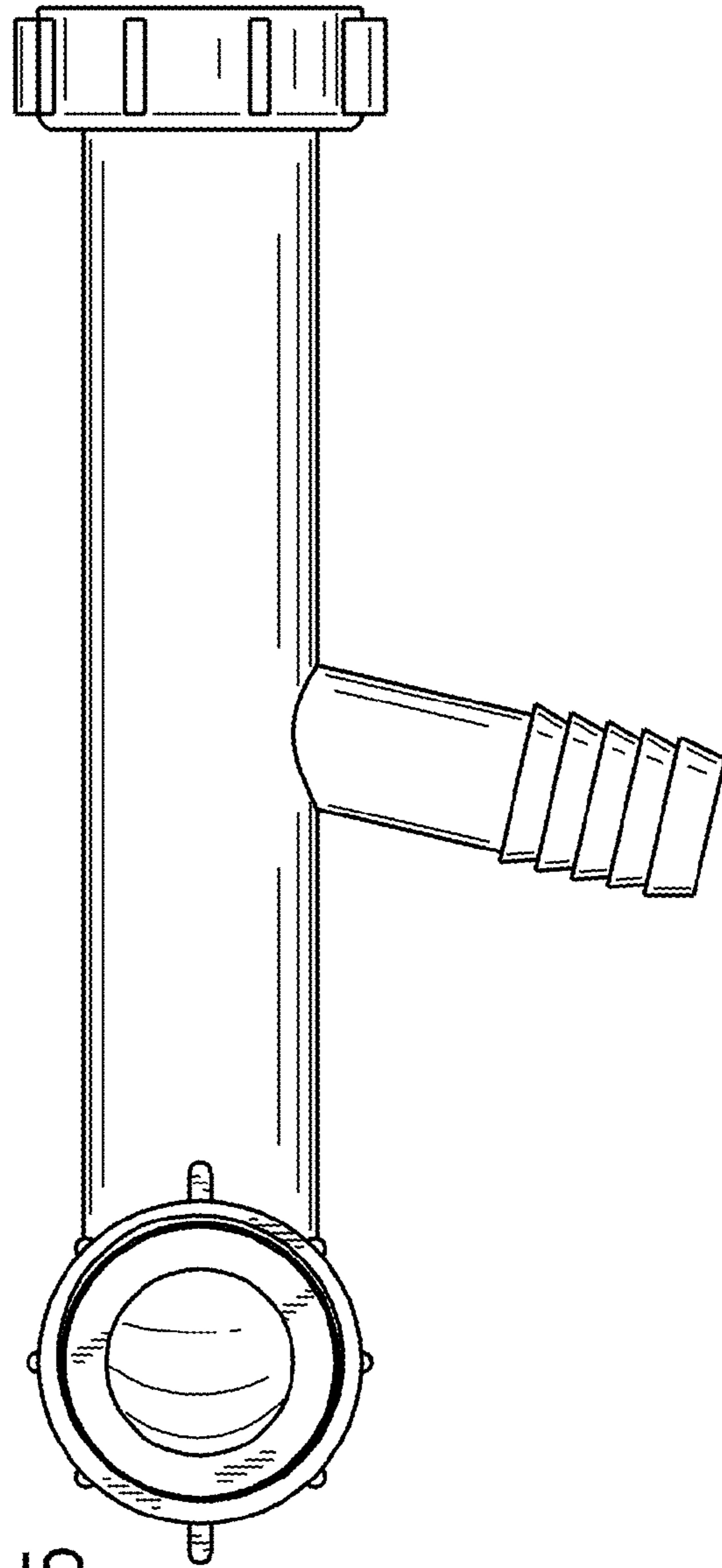


FIG. 5

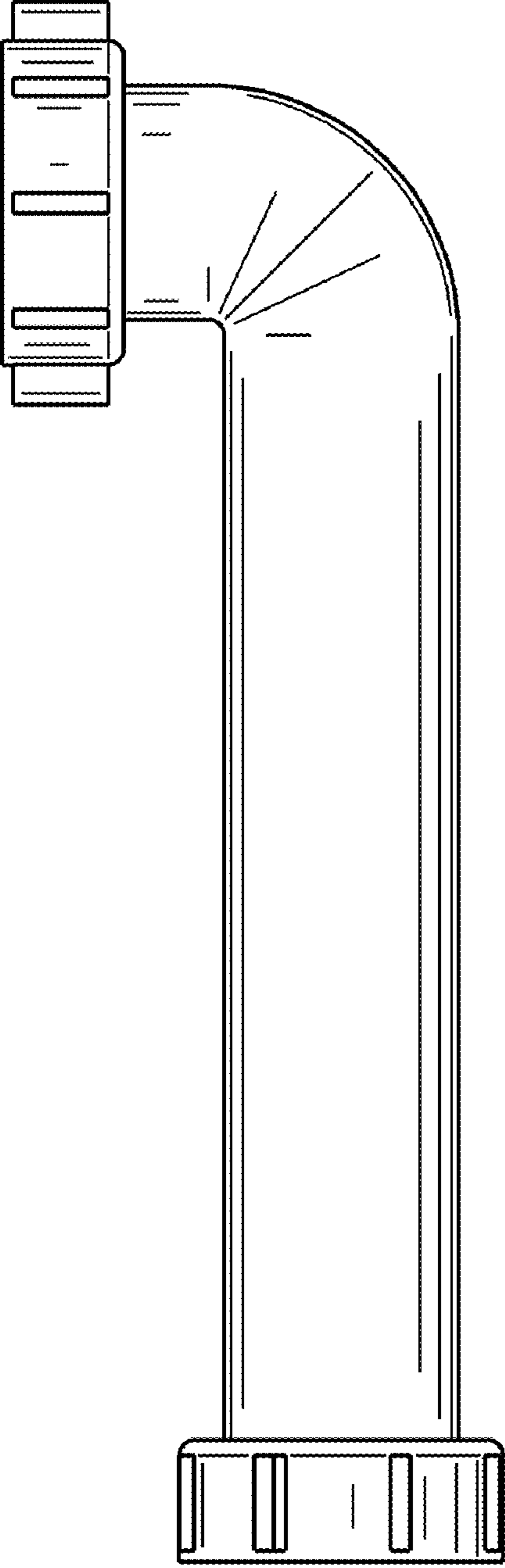


FIG. 6

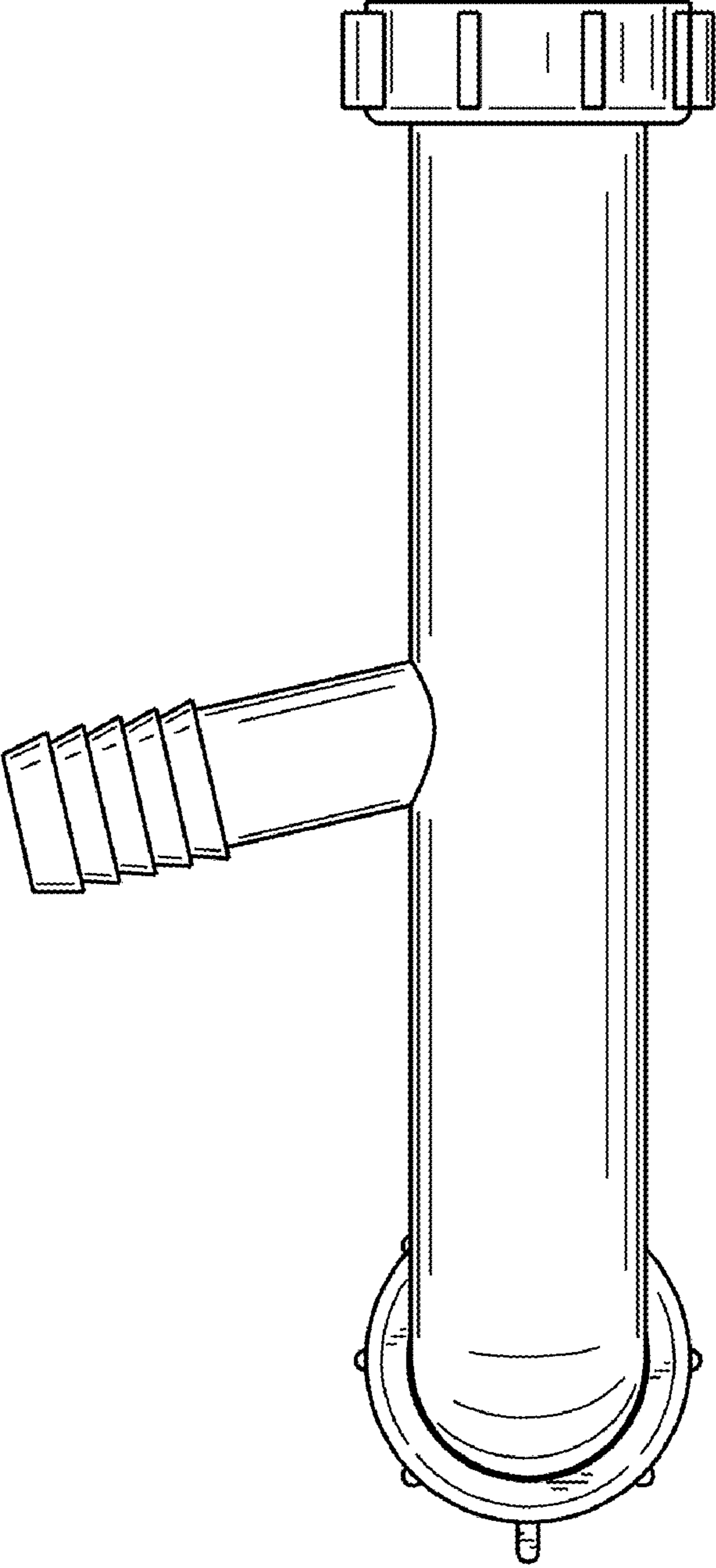


FIG. 7