



US00D676532S

(12) **United States Design Patent**
Meert

(10) **Patent No.:** **US D676,532 S**

(45) **Date of Patent:** **** Feb. 19, 2013**

(54) **DRAINAGE FITTING FOR A RETAINING WALL**

(76) **Inventor:** **Randall J. Meert**, Elkhart, IN (US)

(**) **Term:** **14 Years**

(21) **Appl. No.:** **29/370,147**

(22) **Filed:** **Jun. 10, 2010**

(51) **LOC (9) Cl.** **23-01**

(52) **U.S. Cl.** **D23/259**

(58) **Field of Classification Search** D23/262,
D23/267; D25/119; 52/11-13, 16; 248/48.1;
404/4-5, 2; 405/118

See application file for complete search history.

(56) **References Cited**

U.S. PATENT DOCUMENTS

2,397,655	A *	4/1946	Francis	285/148.22
D234,516	S *	3/1975	Sixt	D23/262
D234,596	S *	3/1975	Sixt	D23/262
D379,850	S *	6/1997	Nelson	D23/259
D380,813	S *	7/1997	Motz et al.	D23/265
D540,438	S *	4/2007	Natrass	D23/267
D583,913	S *	12/2008	Natrass et al.	D23/261
D612,022	S *	3/2010	Natrass et al.	D23/267

D613,832	S *	4/2010	Bradbeer	D23/267
7,748,650	B1 *	7/2010	Sloan	239/593
8,006,720	B1 *	8/2011	Kotansky	137/873
2003/0221373	A1 *	12/2003	Kim	52/14

* cited by examiner

Primary Examiner — Eric Goodman

(74) *Attorney, Agent, or Firm* — R. Tracy Crump

(57) **CLAIM**

I claim the ornamental design of a drainage fitting for a retaining wall, as shown and described.

DESCRIPTION

FIG. 1 is a perspective view of the drainage fitting showing my new design;

FIG. 2 is a right side view of the drainage fitting;

FIG. 3 is a left side view of the drainage fitting;

FIG. 4 is a top view of the drainage fitting;

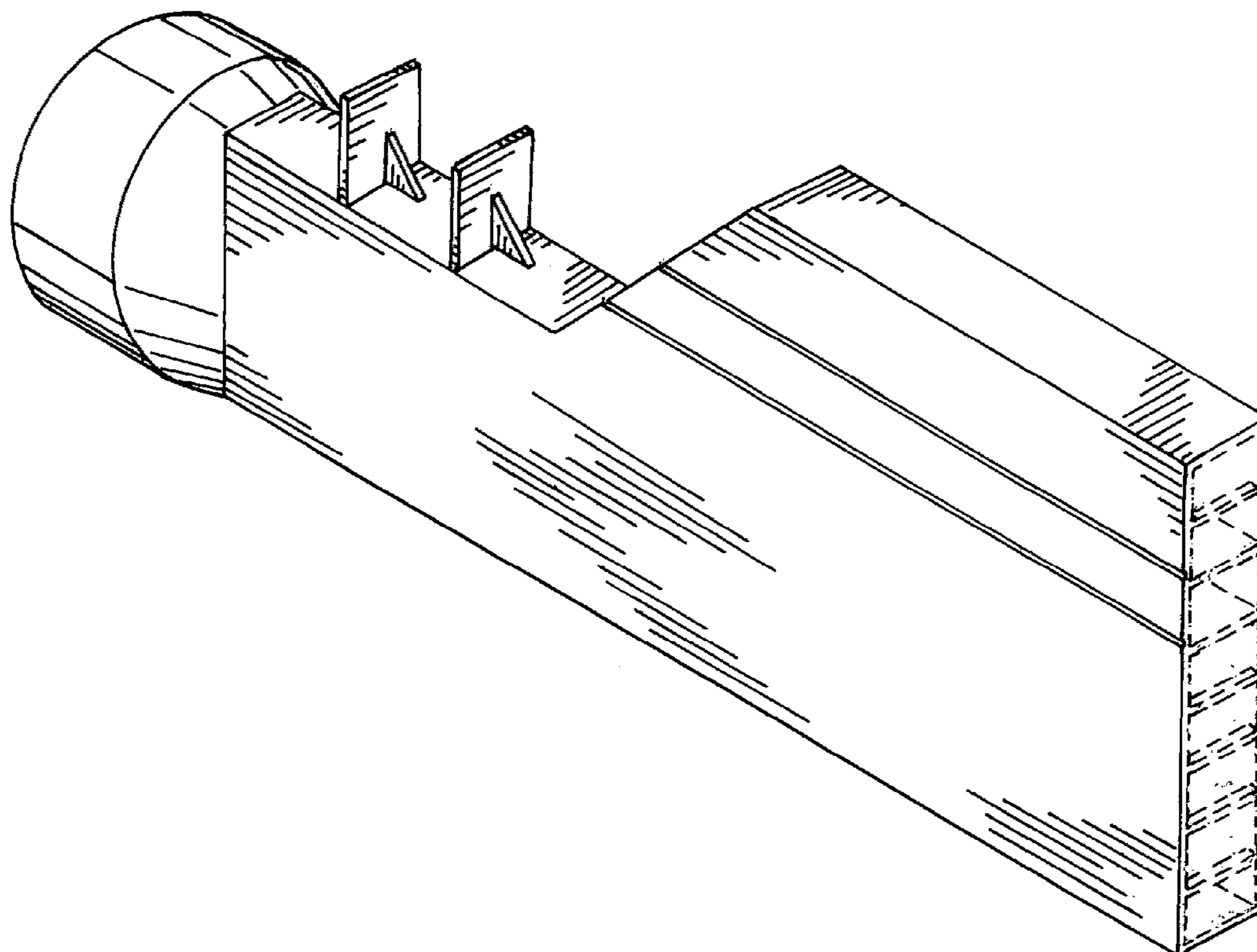
FIG. 5 is a bottom view of the drainage fitting;

FIG. 6 is a rear view of the drainage fitting; and,

FIG. 7 is a front view of the drainage fitting.

The areas inside the broken boundary lines of FIGS. 6 and 7 form no part of the claimed design.

1 Claim, 4 Drawing Sheets



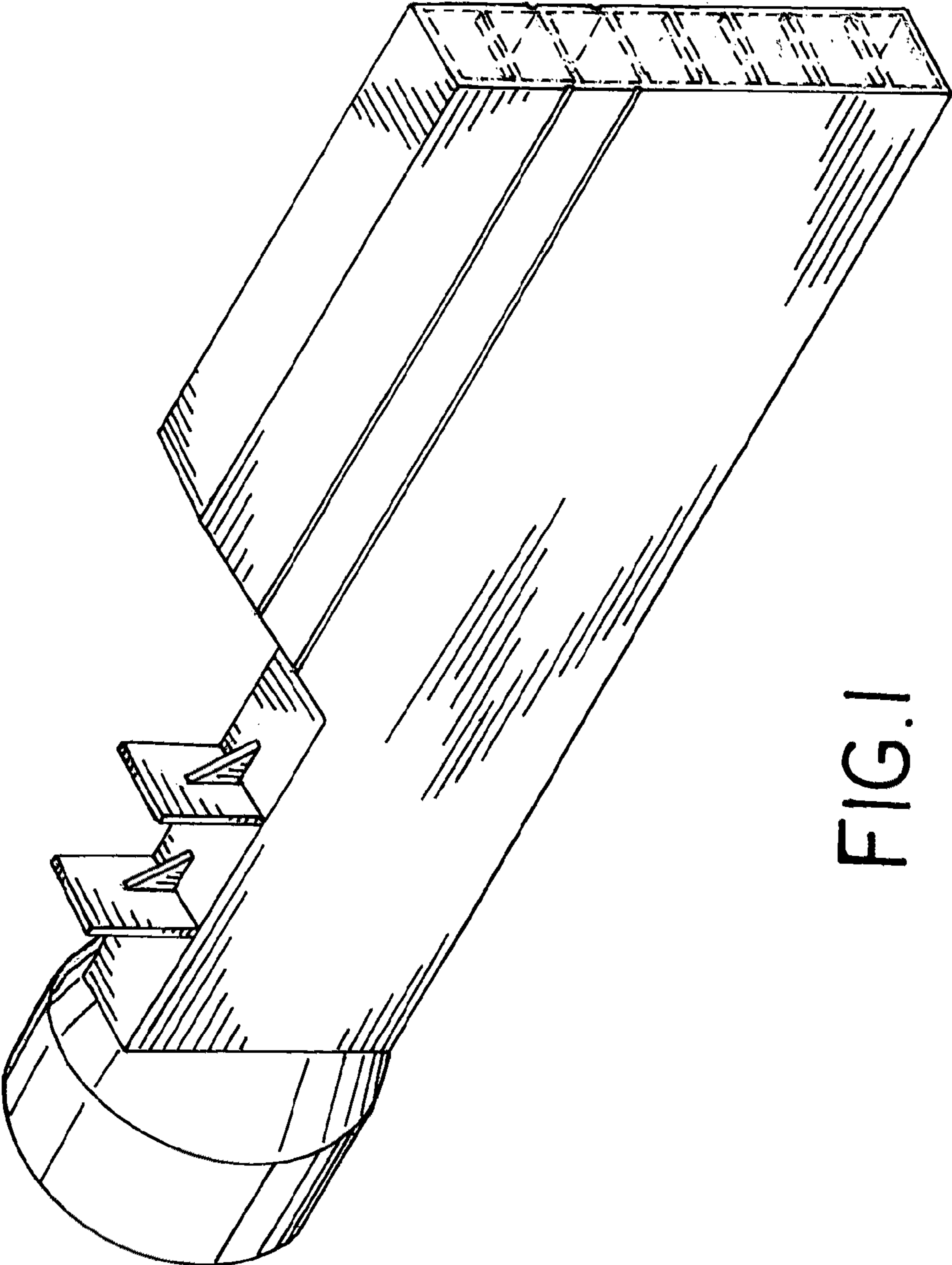


FIG. 1

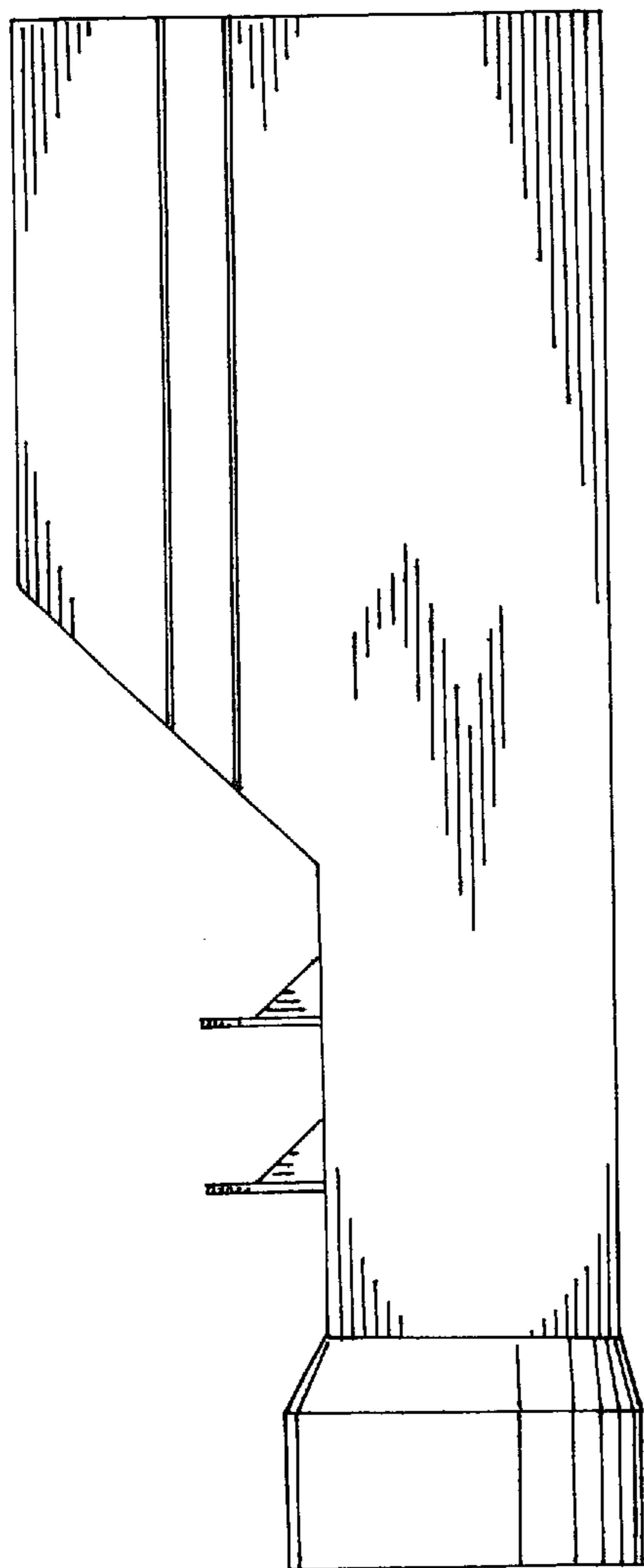


FIG. 2

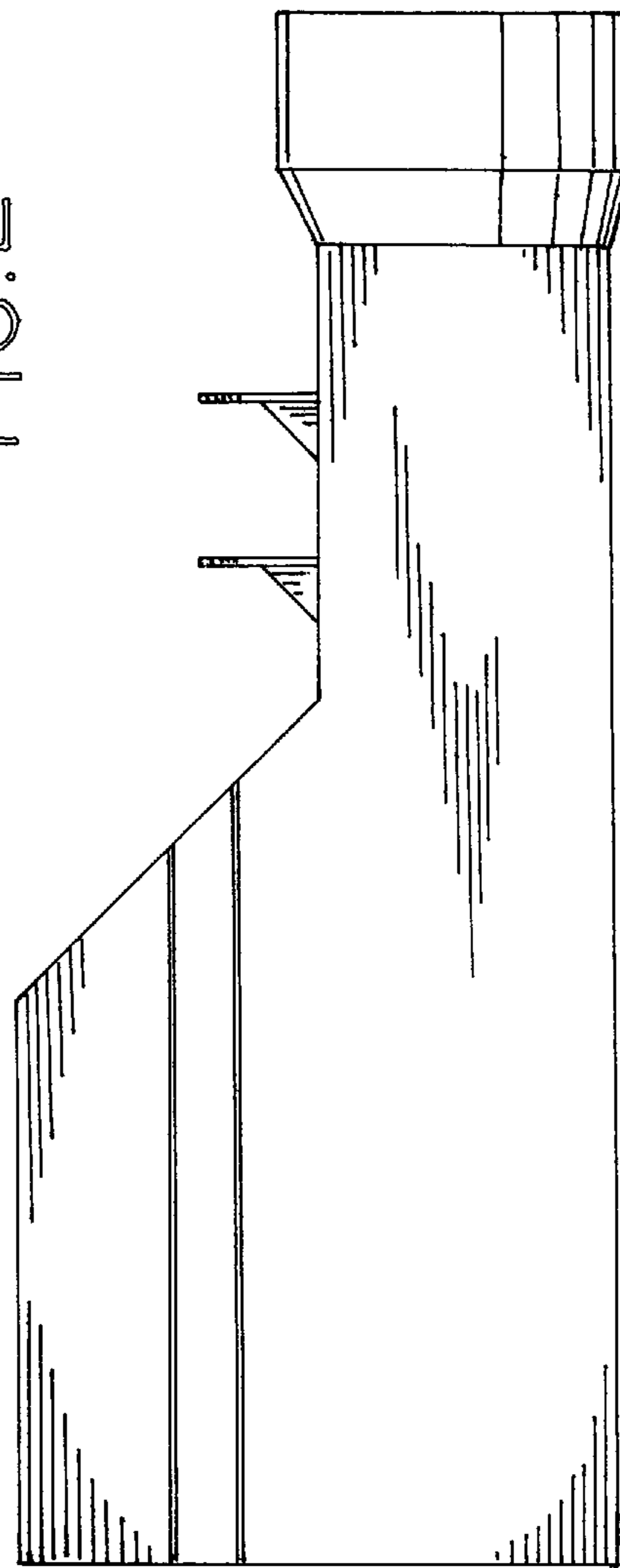


FIG. 3

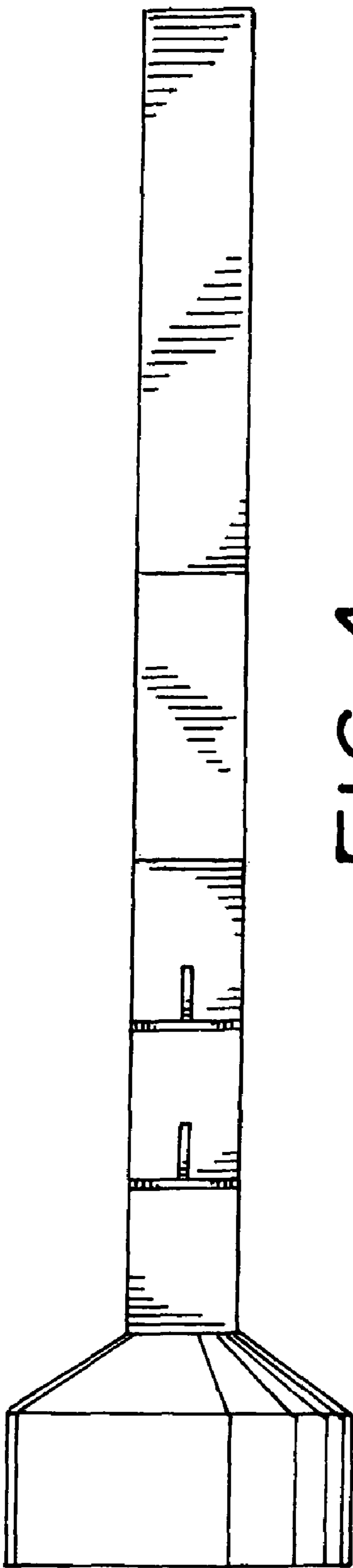


FIG. 4

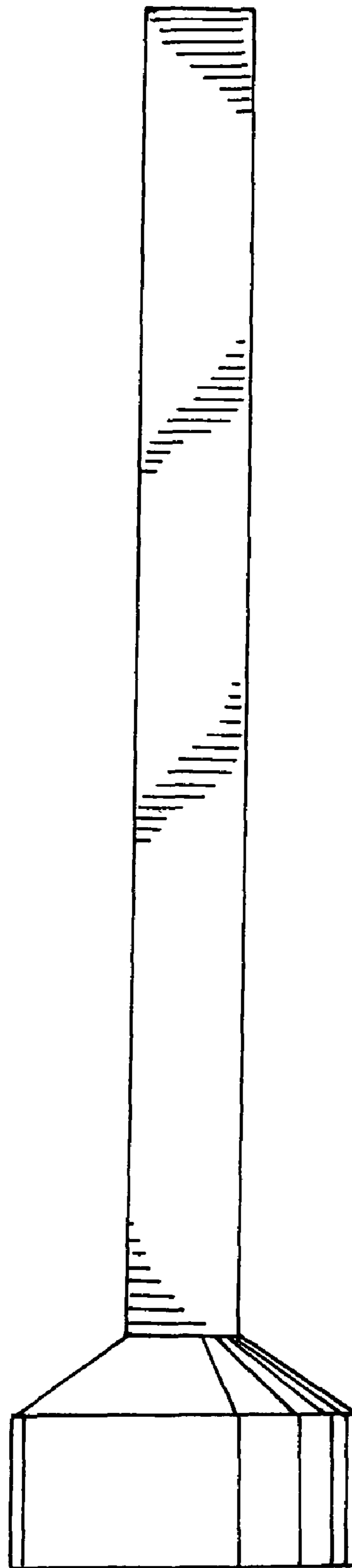


FIG. 5

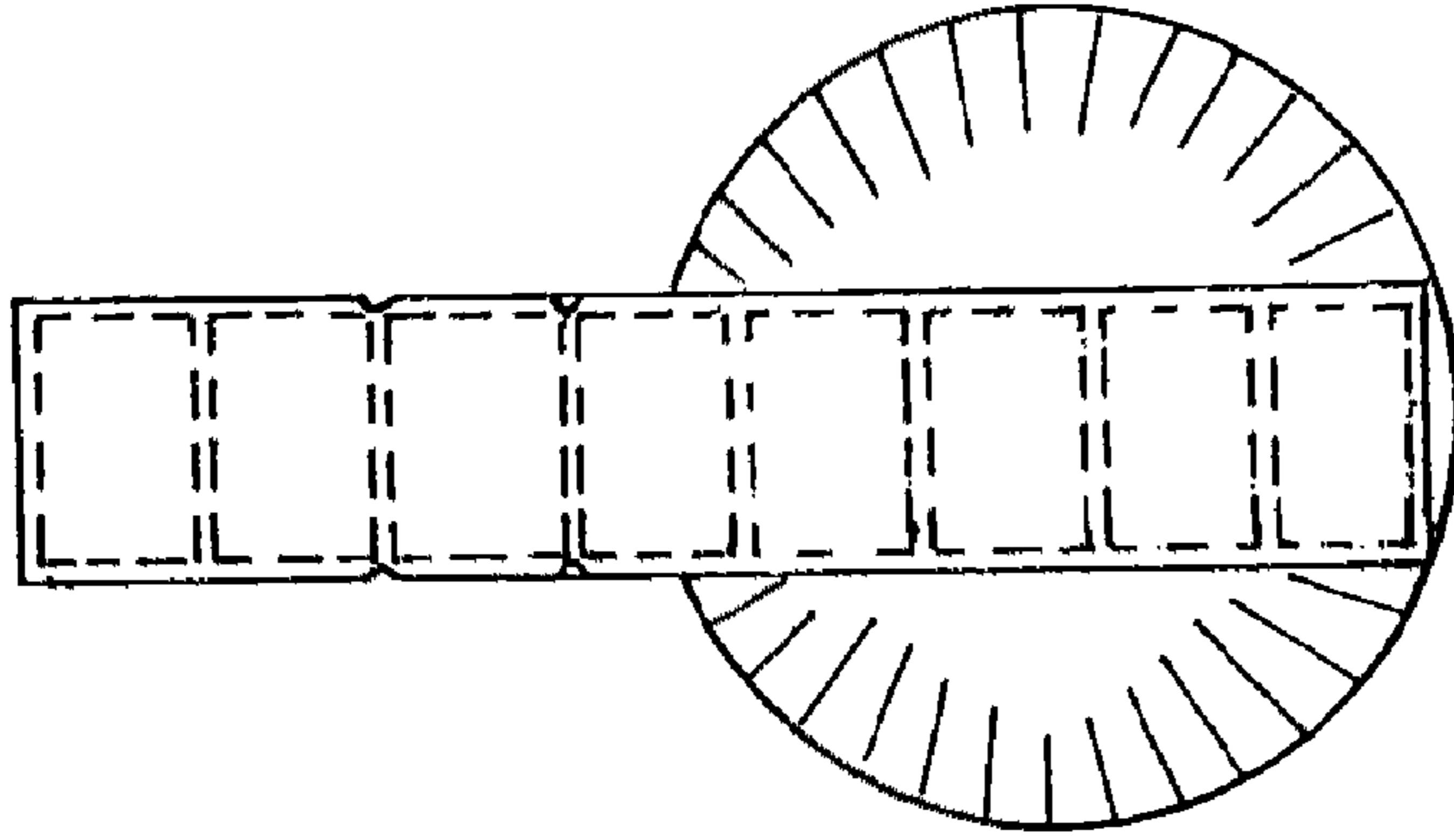


FIG. 7

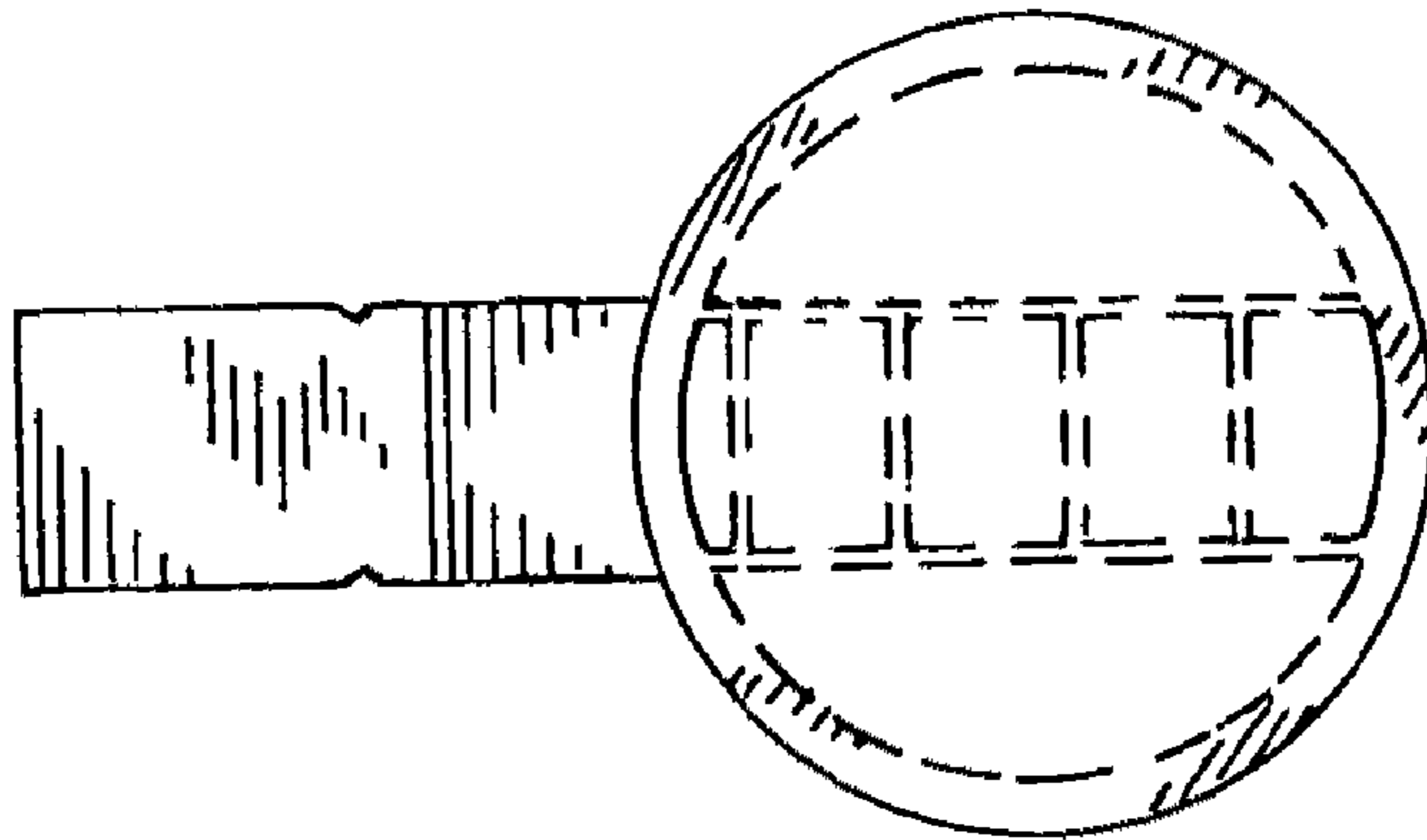


FIG. 6