



US00D676531S

(12) **United States Design Patent**
Vibe-Petersen

(10) **Patent No.:** **US D676,531 S**

(45) **Date of Patent:** **** Feb. 19, 2013**

- (54) **DISPENSING OUTLET ARRANGEMENT**
- (75) Inventor: **Kim Vibe-Petersen**, Kokkedal (DK)
- (73) Assignee: **Scanomat A/S**, Kokkedal (DK)
- (**) Term: **14 Years**
- (21) Appl. No.: **29/425,393**
- (22) Filed: **Jun. 22, 2012**
- (30) **Foreign Application Priority Data**

Primary Examiner — Robert Delehanty
(74) *Attorney, Agent, or Firm* — William J. Sapone

- Dec. 28, 2011 (EM) 001309926-0001
- (51) **LOC (9) Cl.** **23-02**
- (52) **U.S. Cl.** **D23/255**; D23/271; D23/287
- (58) **Field of Classification Search** D23/238,
D23/255, 257; 4/675-678; 137/801
See application file for complete search history.

(57) **CLAIM**
I claim the ornamental design for a dispensing outlet arrangement, as shown and described.

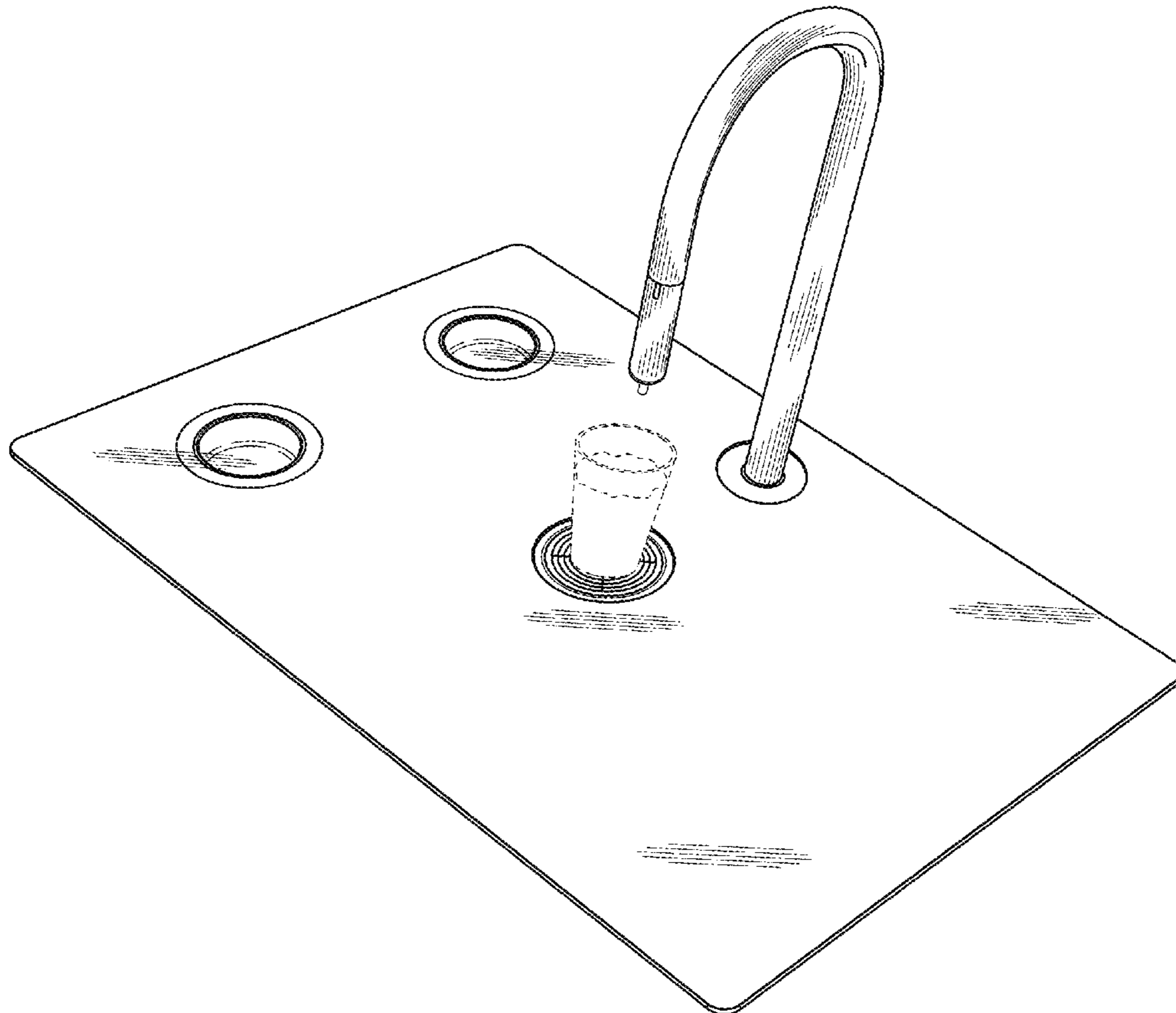
- (56) **References Cited**
- U.S. PATENT DOCUMENTS
- D246,463 S * 11/1977 Doman D23/284
- D516,171 S * 2/2006 Meylan D23/238
- D589,594 S * 3/2009 Lammel et al. D23/238
- D645,120 S * 9/2011 Lammel et al. D23/238

DESCRIPTION

FIG. 1 is a perspective view of the dispensing outlet arrangement, showing my new design;
FIG. 2 is a front view thereof;
FIG. 3 is a right side view thereof, the opposite side being a mirror image thereof;
FIG. 4 is a top view thereof; and,
FIG. 5 is a perspective view showing the dispensing outlet arrangement in use, with a cup, shown in broken lines, placed below the outlet pipe for receiving a dispensed fluid.
The broken lines showing various features in the drawings are for illustrative purposes only and those features form no part of the claimed design.

* cited by examiner

1 Claim, 5 Drawing Sheets



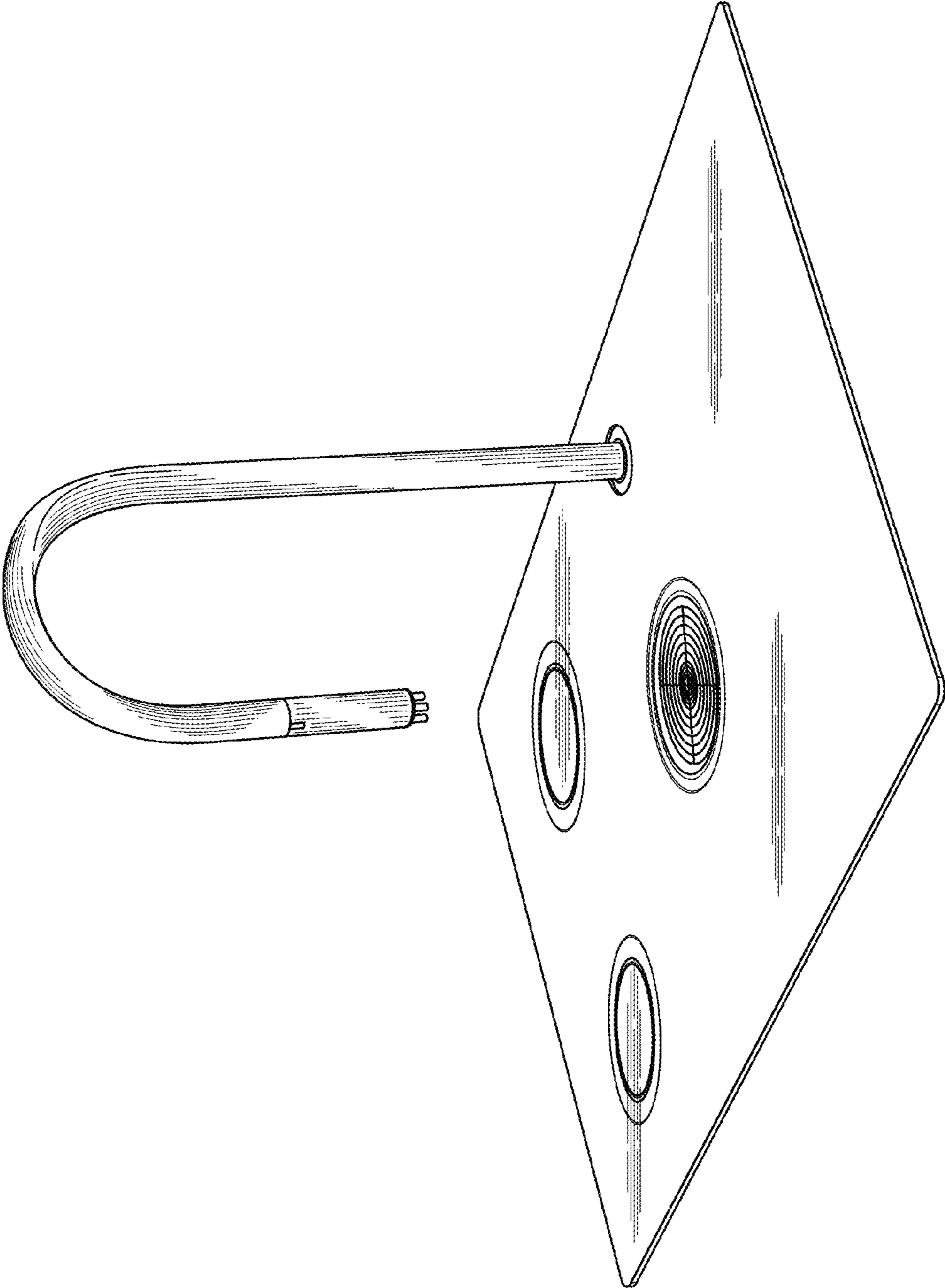


FIG. 1

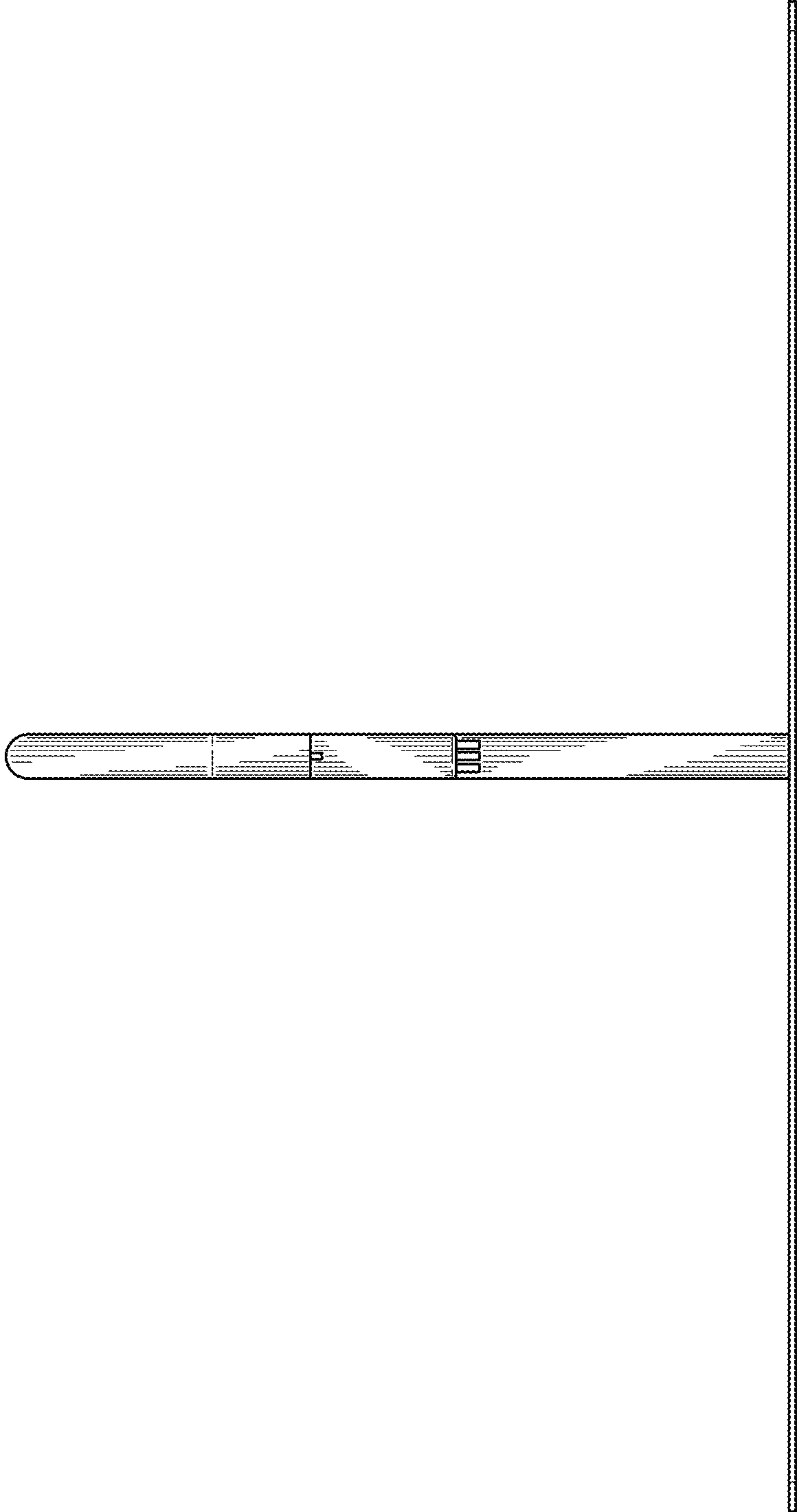


FIG. 2

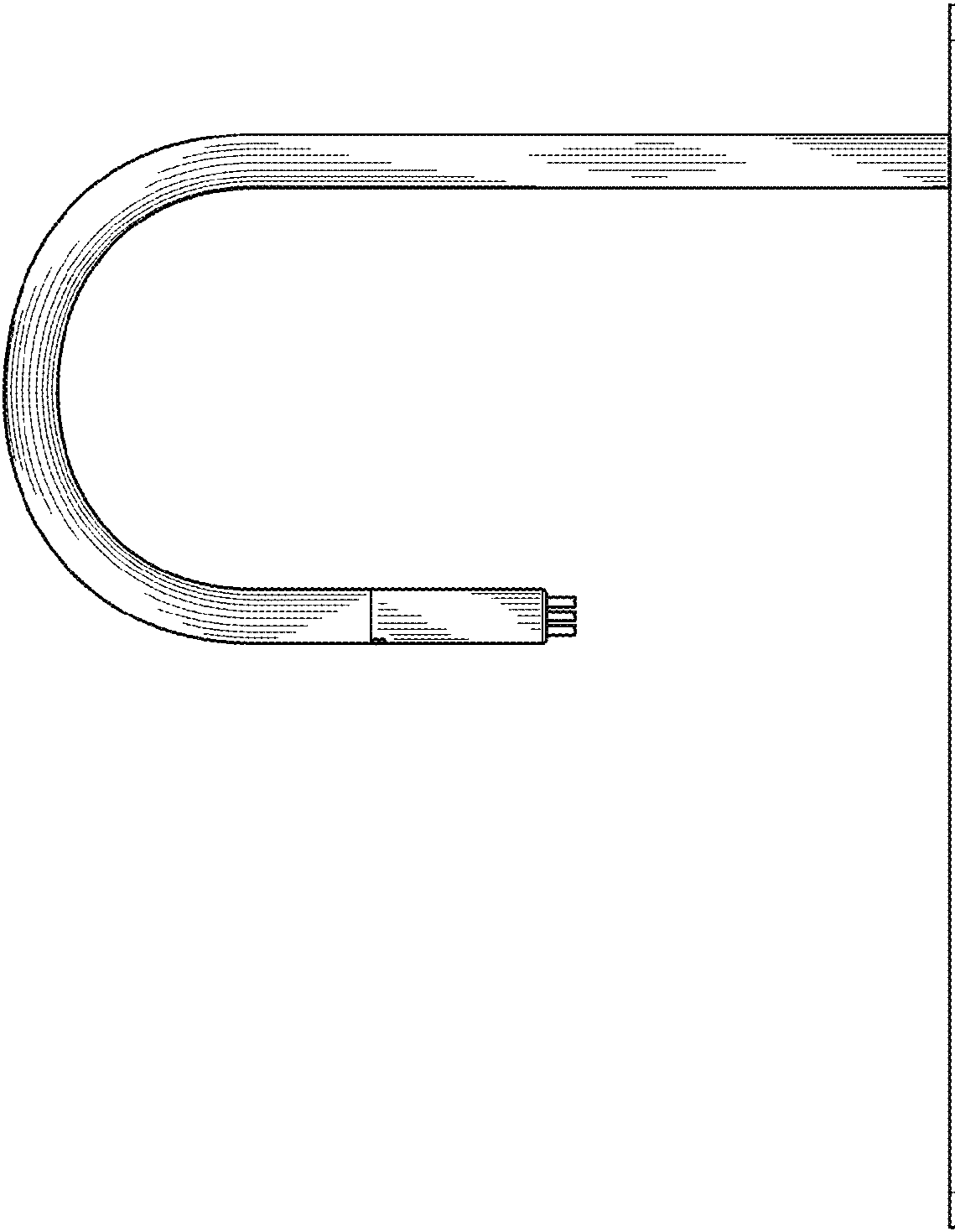


FIG. 3

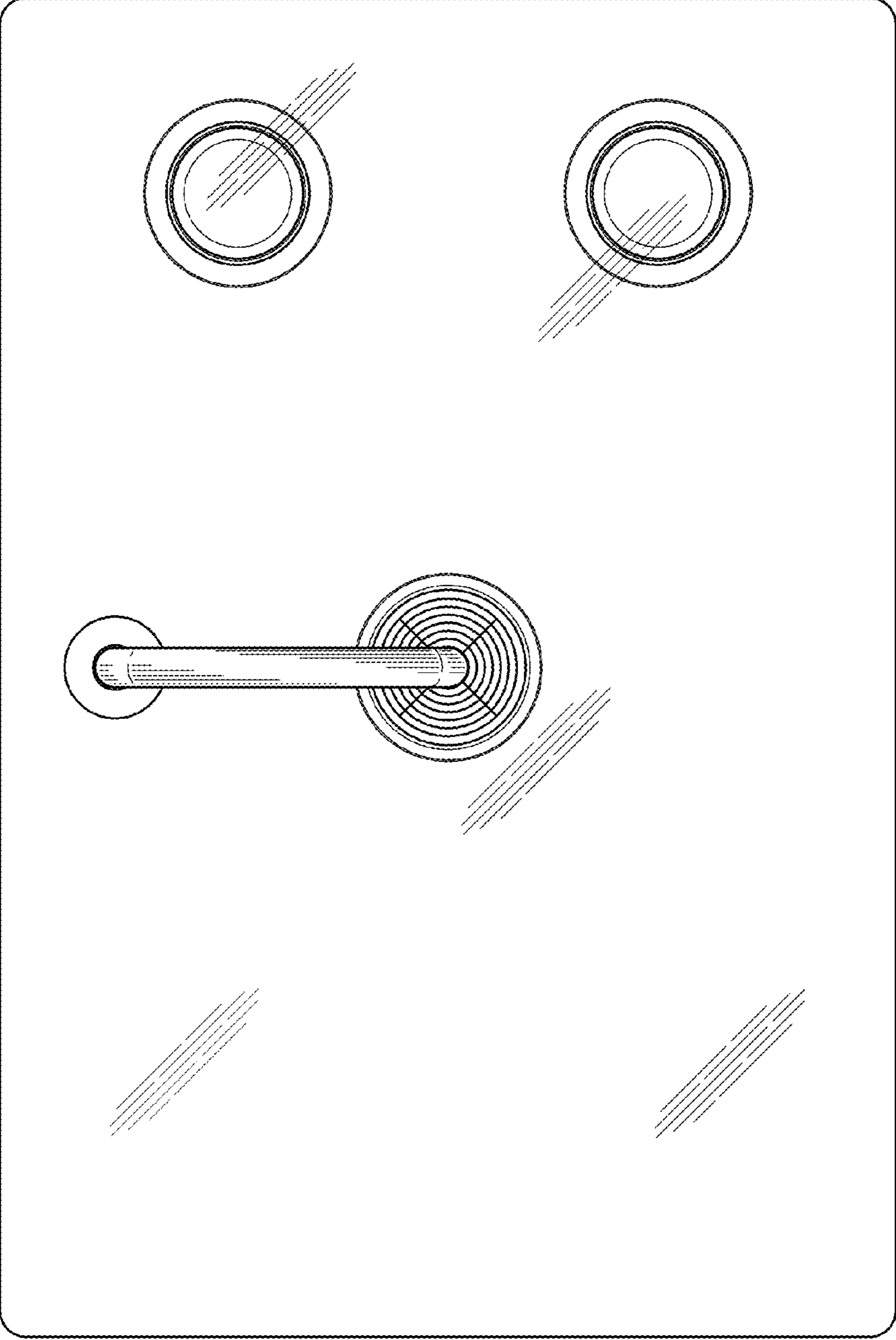


FIG. 4

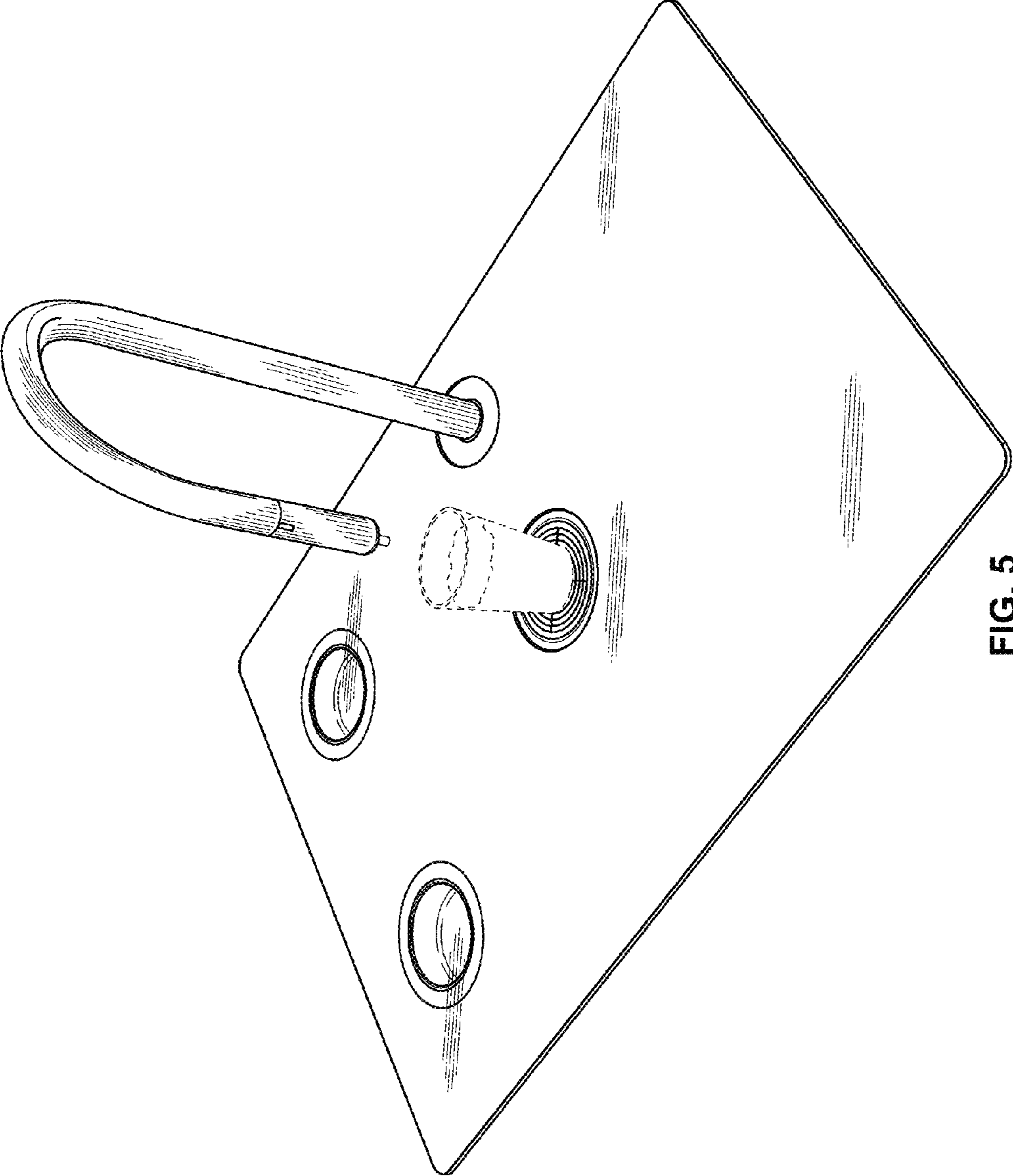


FIG. 5