



US00D676530S

(12) **United States Design Patent**  
**Kwok**

(10) **Patent No.:** **US D676,530 S**

(45) **Date of Patent:** **\*\* Feb. 19, 2013**

(54) **FAUCET HANDLE**

(75) Inventor: **Celine Kwok**, Indianapolis, IN (US)

(73) Assignee: **Masco Corporation of Indiana**,  
Indianapolis, IN (US)

(\*\*) Term: **14 Years**

(21) Appl. No.: **29/418,071**

(22) Filed: **Apr. 12, 2012**

(51) **LOC (9) Cl.** ..... **23-01**

(52) **U.S. Cl.** ..... **D23/252**

(58) **Field of Classification Search** ..... D23/238-243,  
D23/250, 252, 254, 249, 245; 4/675-678;  
137/801

See application file for complete search history.

(56) **References Cited**

**U.S. PATENT DOCUMENTS**

D524,914 S \* 7/2006 Chu ..... D23/241  
D542,383 S \* 5/2007 Chu ..... D23/241

\* cited by examiner

*Primary Examiner* — Robert Delehanty

(74) *Attorney, Agent, or Firm* — Edgar A. Zarins; Nirav D. Parikh; Lora J. Graentzdoerffer

(57) **CLAIM**

The ornamental design for a faucet handle, as shown and described.

**DESCRIPTION**

FIG. 1 is a perspective view of a faucet handle showing my new design;

FIG. 2 is a first end view thereof;

FIG. 3 is a second end view thereof;

FIG. 4 is a top plan view thereof;

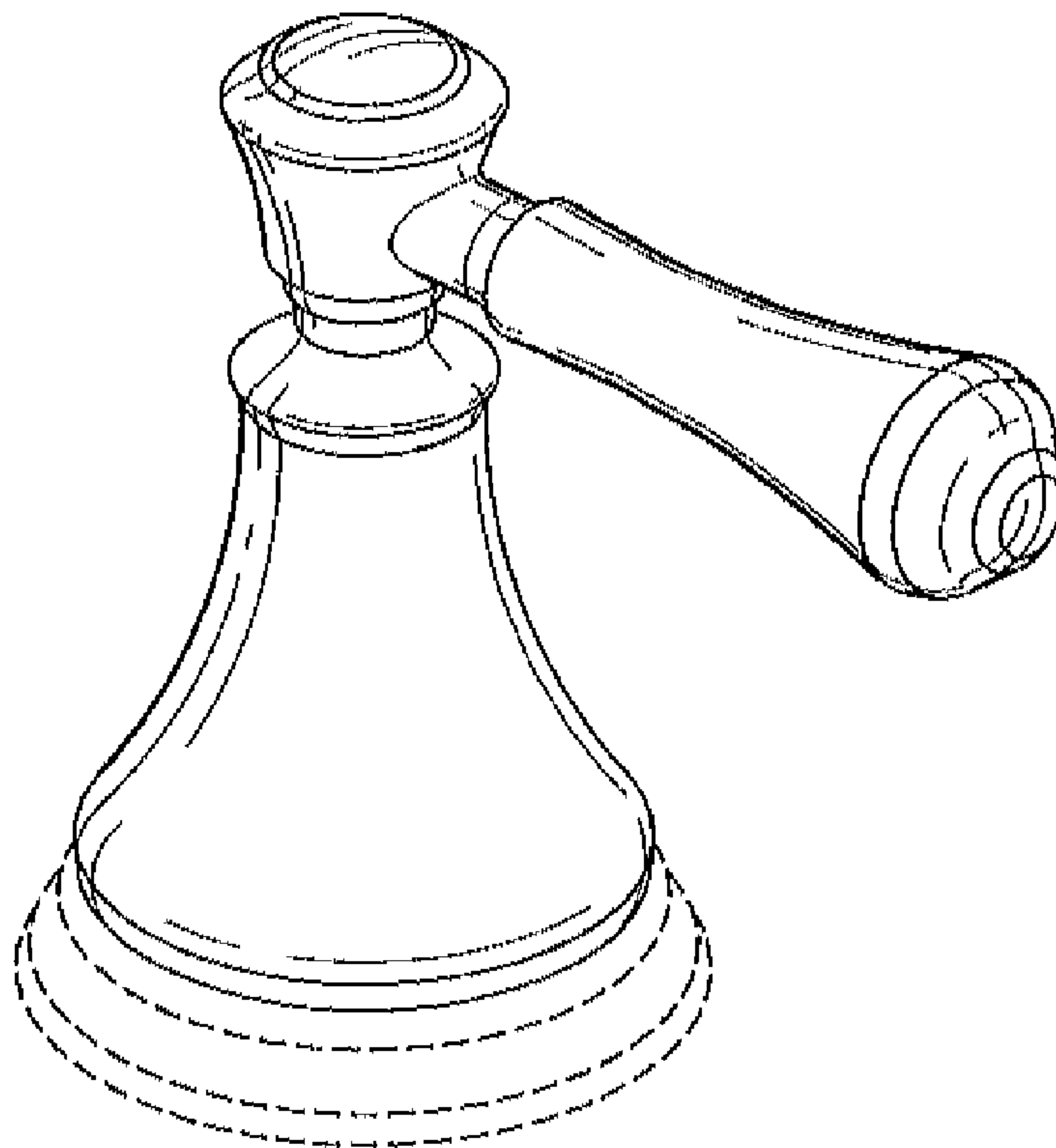
FIG. 5 is a first side view thereof;

FIG. 6 is a second side view thereof; and,

FIG. 7 is a bottom view thereof.

The broken lines showing unclaimed matter are included for the purpose of illustrating a portion of the handle that forms no part of the claimed design.

**1 Claim, 2 Drawing Sheets**



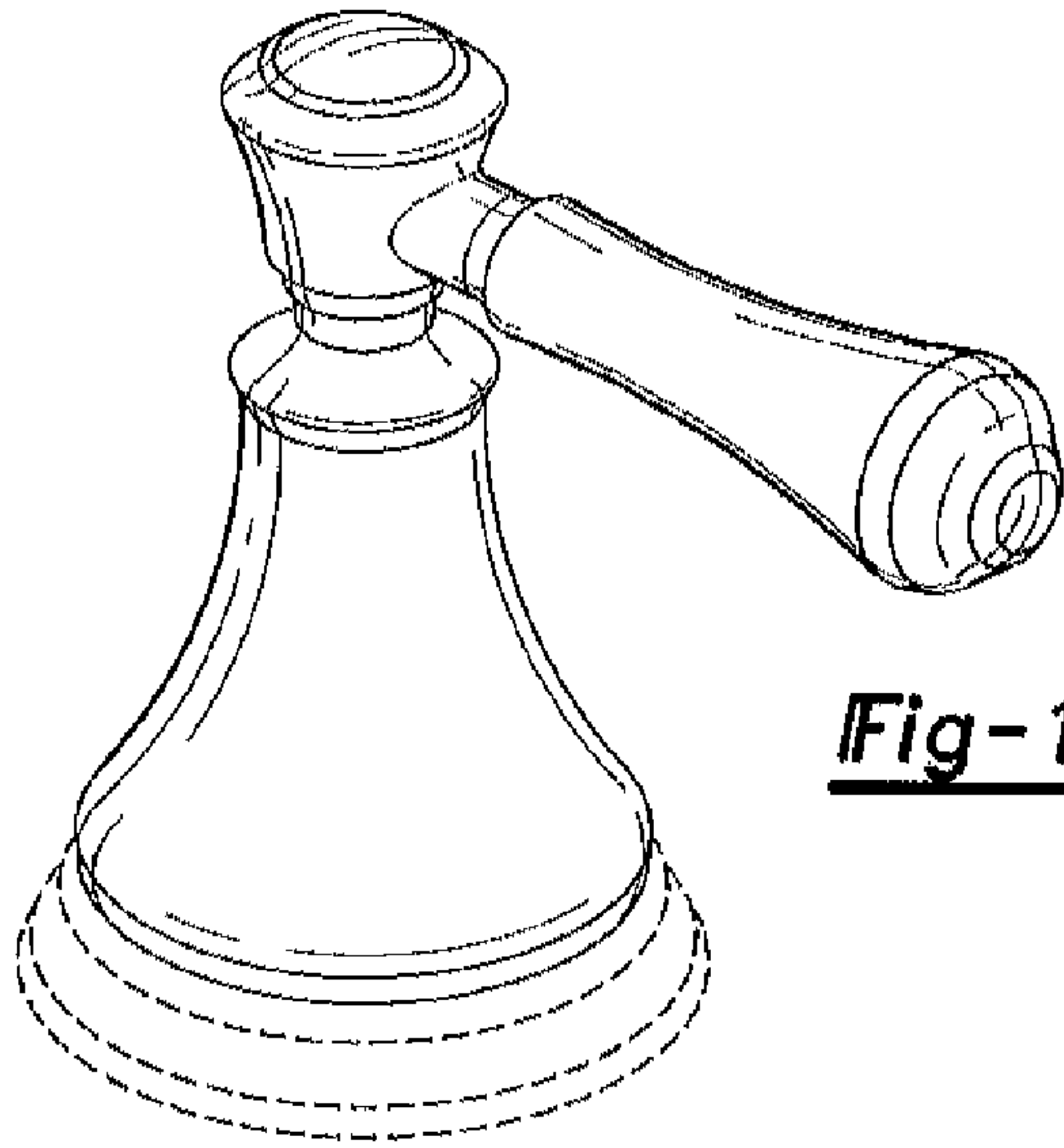


Fig-1

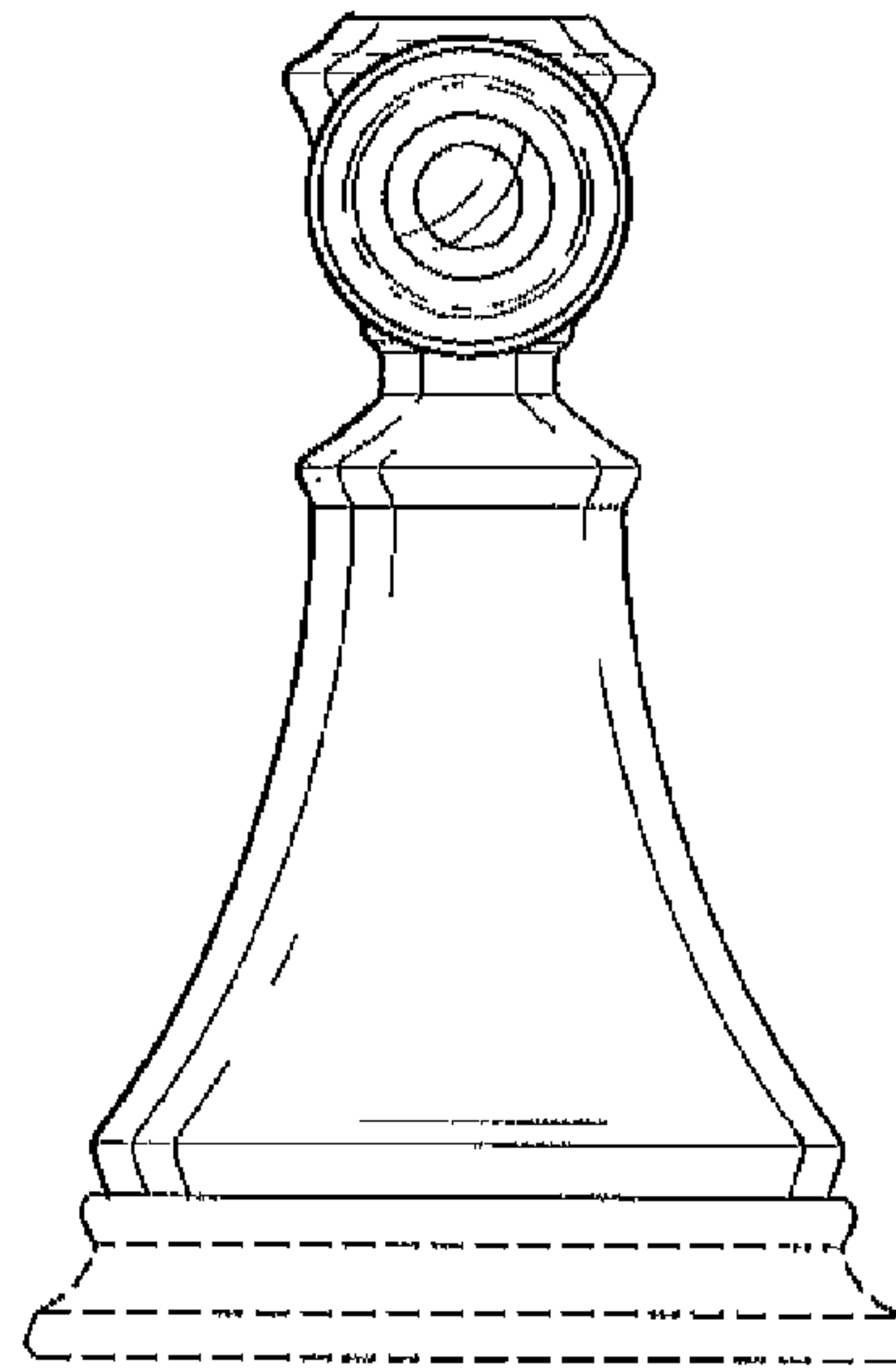


Fig-2

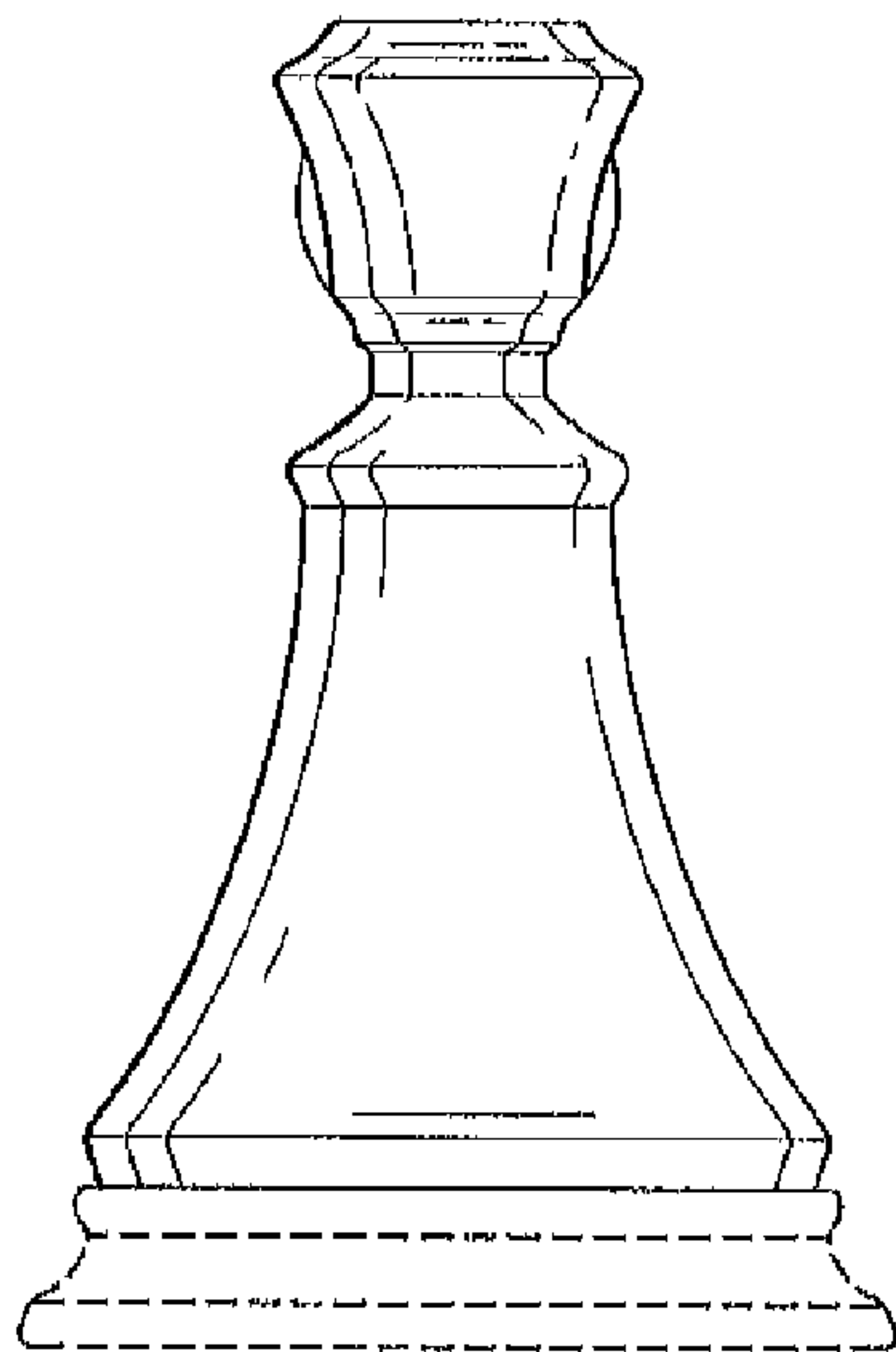


Fig-3

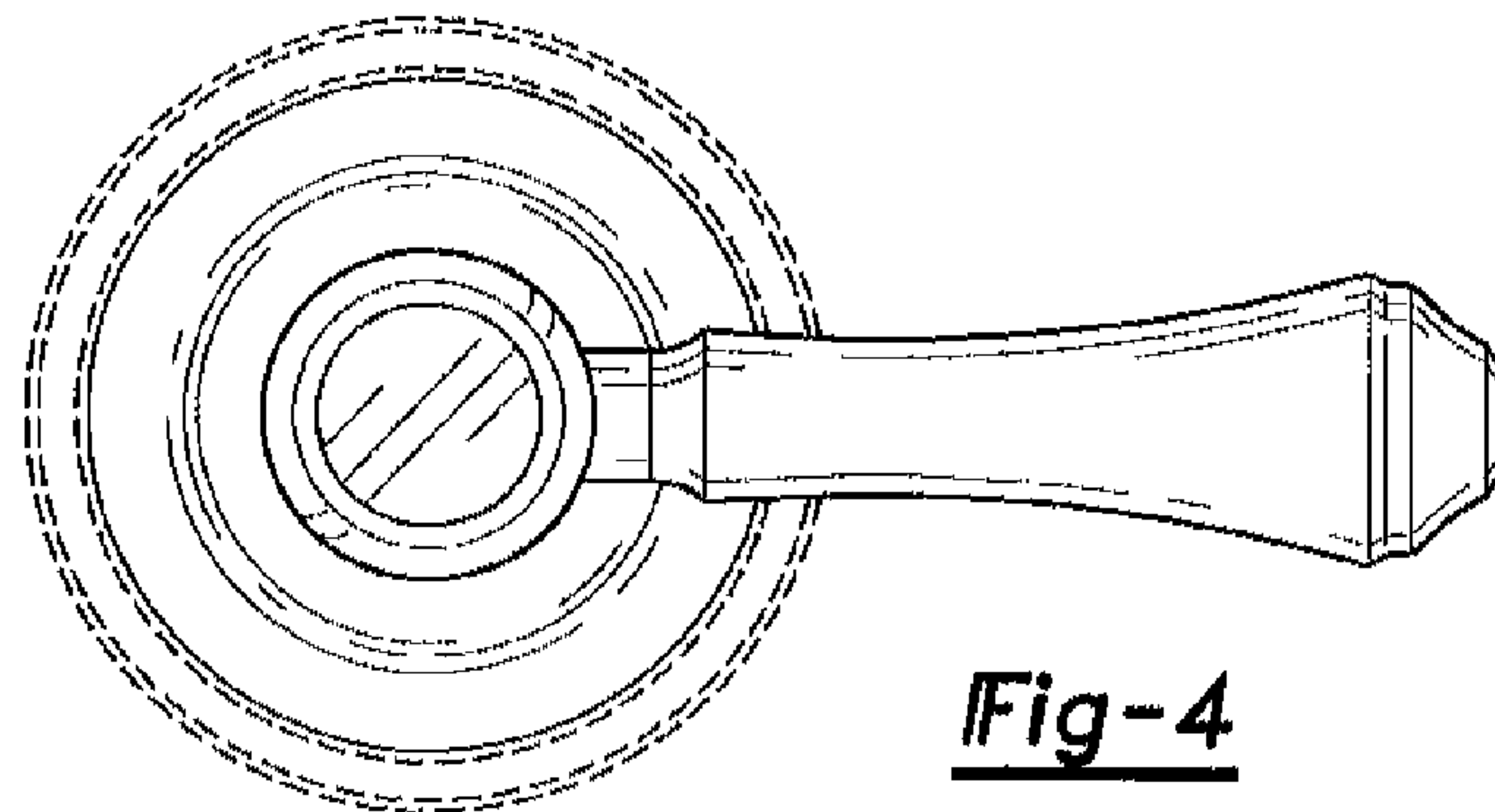


Fig-4

