



US00D676523S

(12) **United States Design Patent**  
**Halseth et al.**

(10) **Patent No.:** **US D676,523 S**

(45) **Date of Patent:** **\*\* Feb. 19, 2013**

(54) **FISHING REEL**

(56)

**References Cited**

(75) Inventors: **Eivind Halseth**, Oslo (NO); **Tore Vinje Brustad**, Oslo (NO); **Andreas Murray**, Oslo (NO); **Oskar Johansen**, Oslo (NO); **Robert Selfors**, Nesoddtangen (NO)

U.S. PATENT DOCUMENTS

D247,442	S	*	3/1978	Hiraishi et al.	.....	D22/140
D360,928	S	*	8/1995	Bogner	.....	D22/140
D515,656	S	*	2/2006	Lepage et al.	.....	D22/140
D521,105	S	*	5/2006	Lepage	.....	D22/140
D529,123	S	*	9/2006	Nago	.....	D22/140
D558,299	S	*	12/2007	Lepage et al.	.....	D22/140
7,832,673	B2	*	11/2010	Lee et al.	.....	242/317

(73) Assignee: **Arcticsilver Innovation AS**, Nesoddtangen (NO)

\* cited by examiner

*Primary Examiner* — Catheri Oliver-Garcia

(\*\*) Term: **14 Years**

(74) *Attorney, Agent, or Firm* — Cislo & Thomas, LLP

(21) Appl. No.: **29/407,102**

(57) **CLAIM**

The ornamental design for a fishing reel, as shown.

(22) Filed: **Nov. 22, 2011**

**DESCRIPTION**

(51) **LOC (9) Cl.** ..... **22-05**

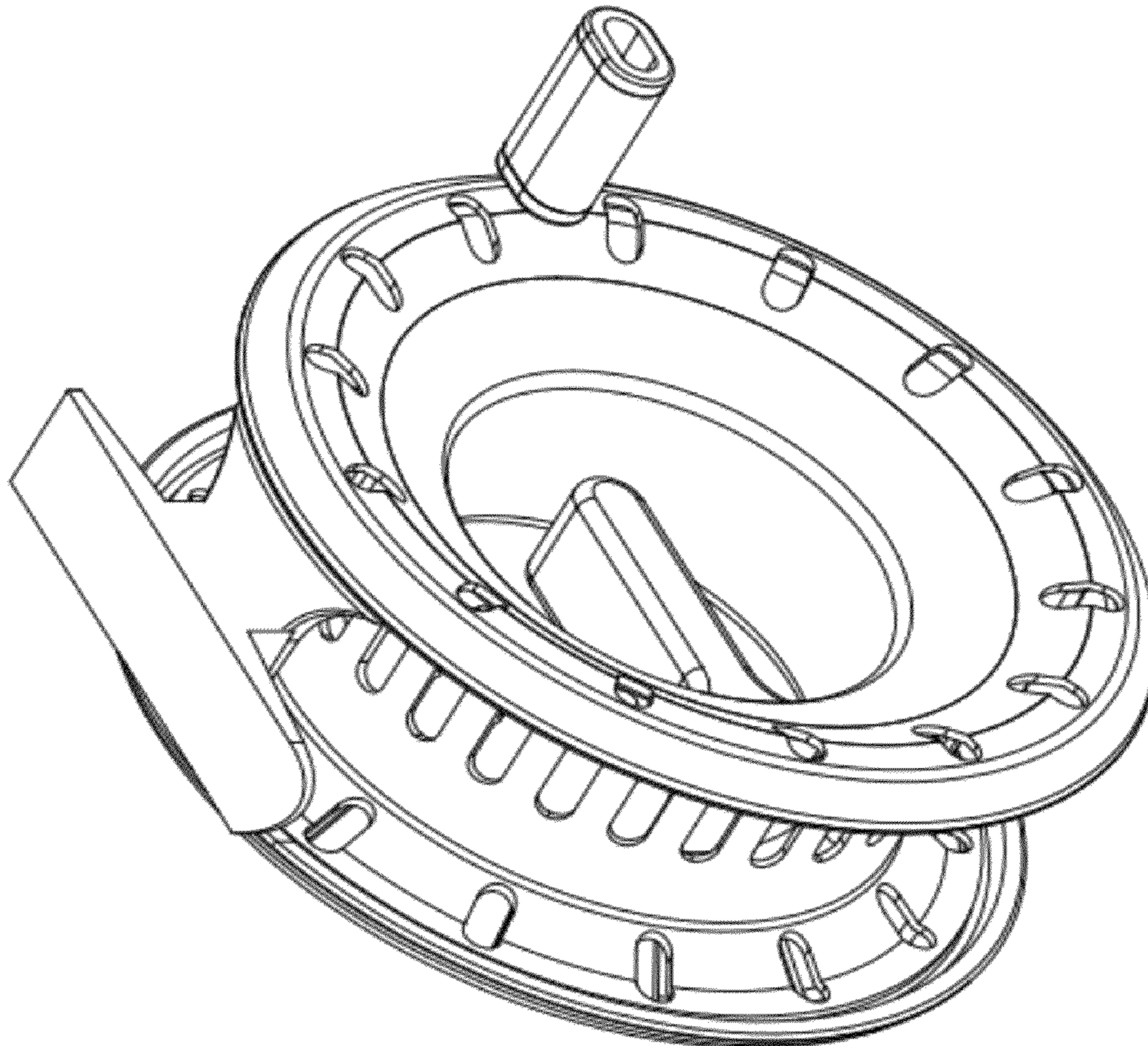
(52) **U.S. Cl.** ..... **D22/140**

(58) **Field of Classification Search** ..... D22/137–141;  
242/118.4, 118.3, 118.7, 311, 317–323, 224,  
242/295, 234–240, 303

FIG. 1 is a front perspective view of the fishing reel.  
FIG. 2 is a rear perspective view of the fishing reel.  
FIG. 3 is a front view of the fishing reel.  
FIG. 4 is a rear side view of the fishing reel.  
FIG. 5 is a left side view of the fishing reel.  
FIG. 6 is a right side view of the fishing reel; and,  
FIG. 7 is a bottom view of the fishing reel.

See application file for complete search history.

**1 Claim, 7 Drawing Sheets**





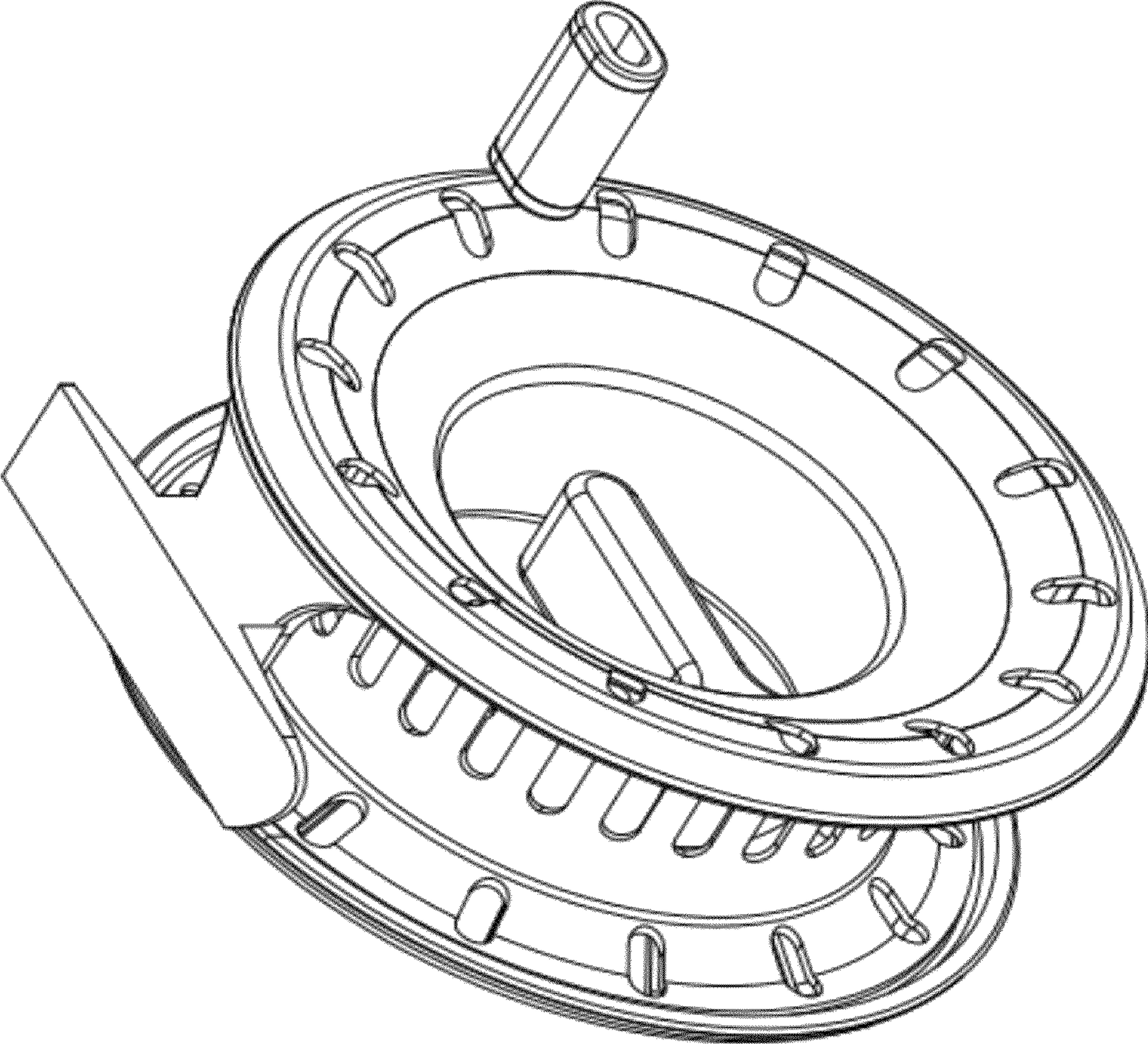


FIG. 1



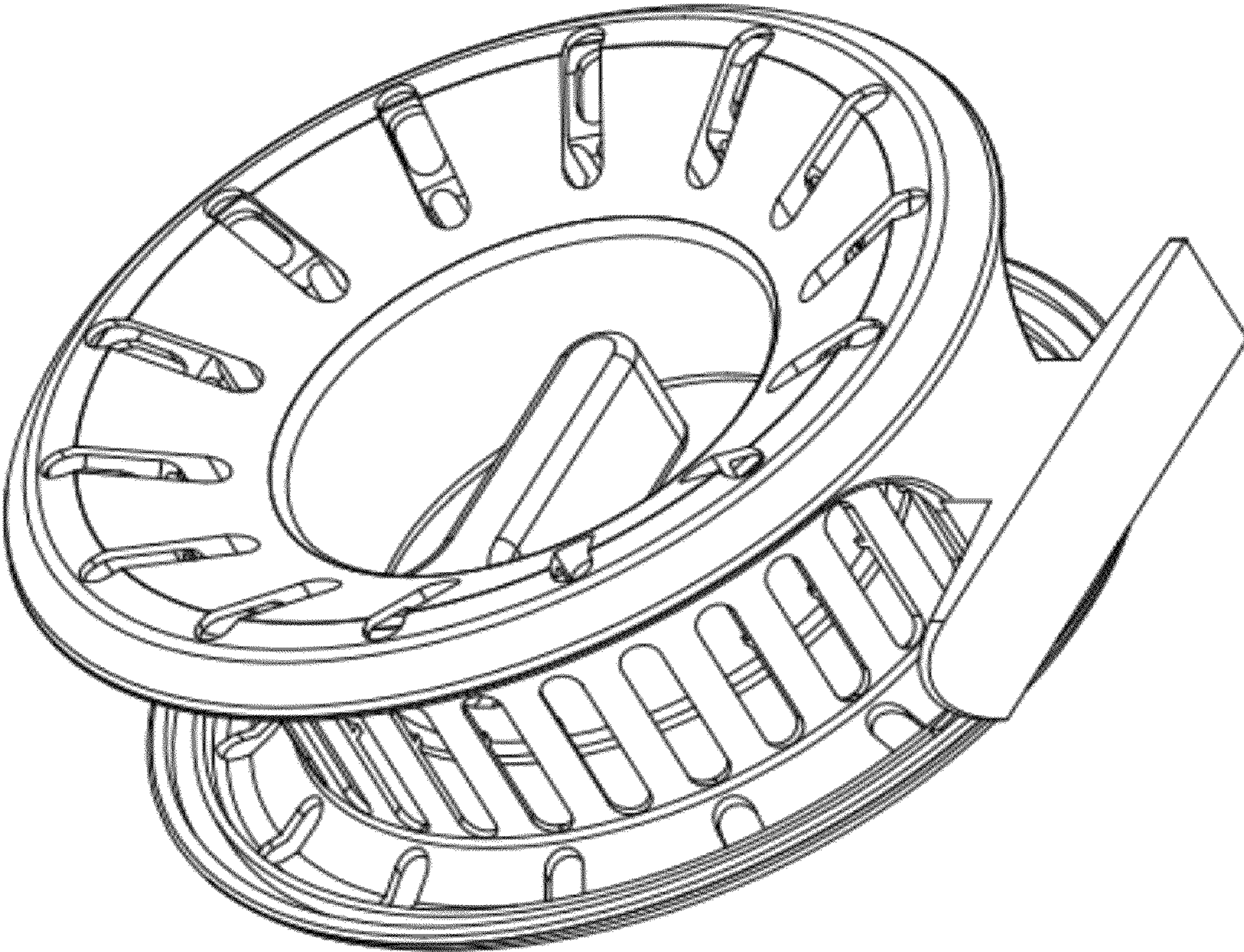


FIG. 2



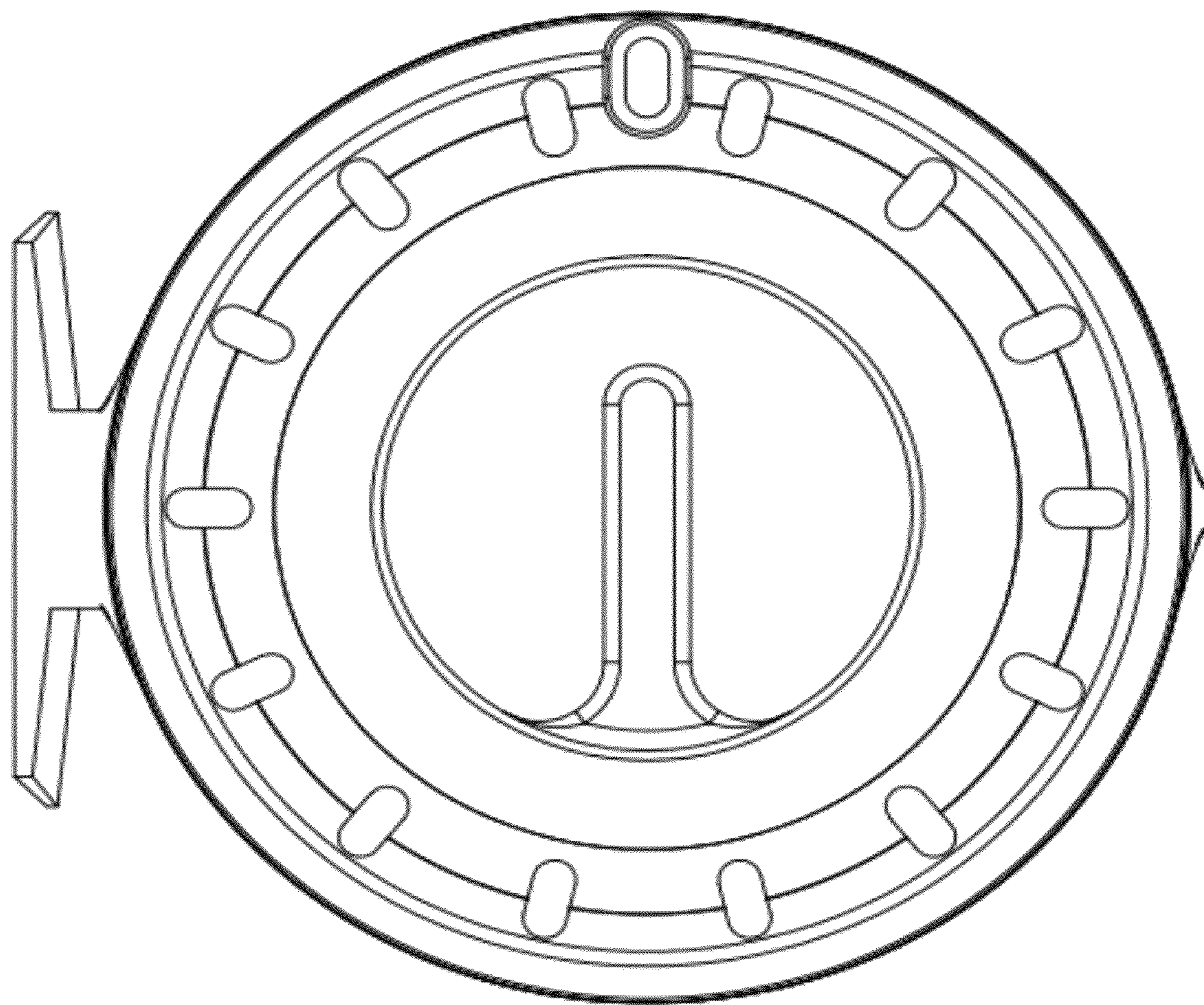


FIG. 3



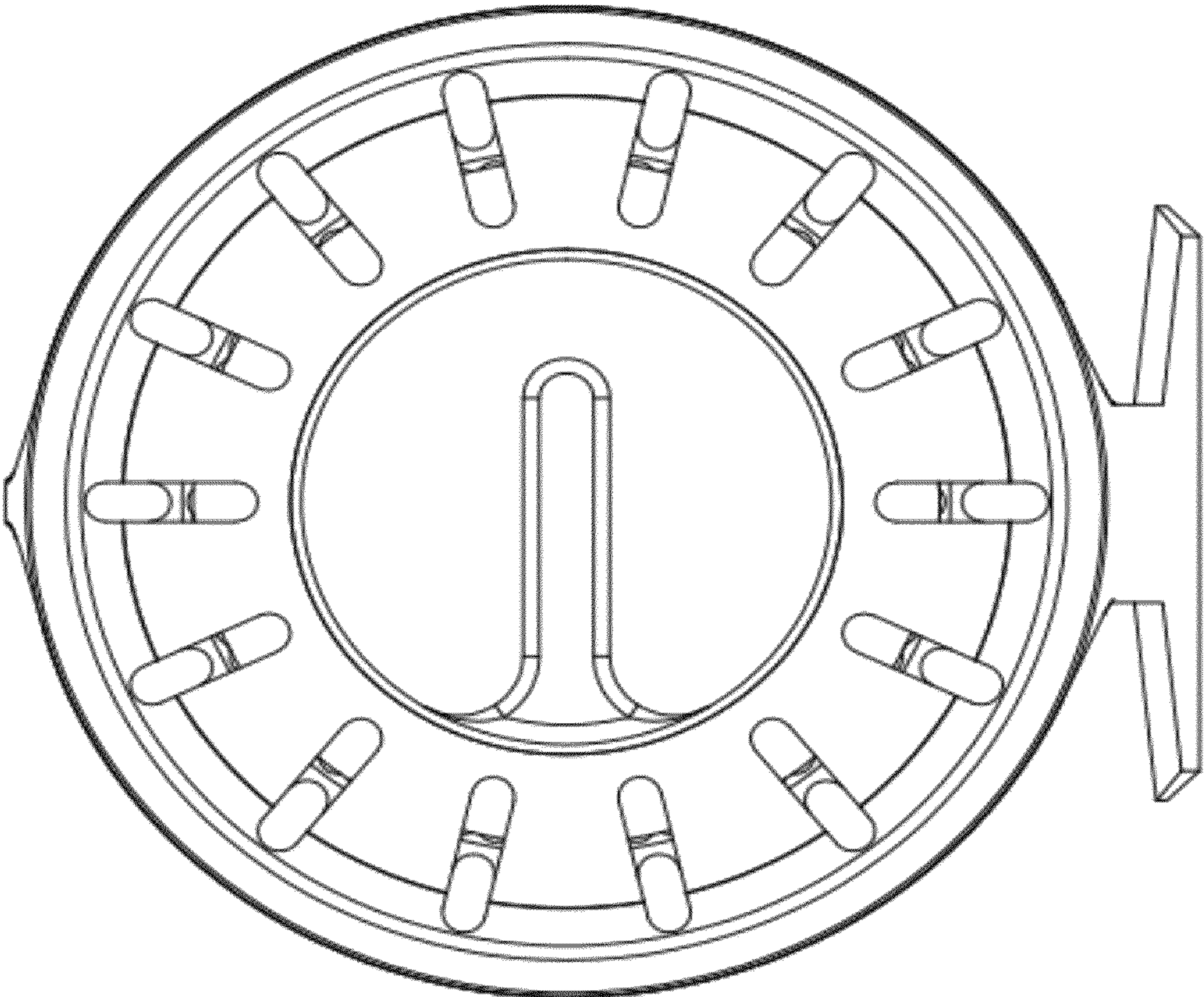


FIG. 4

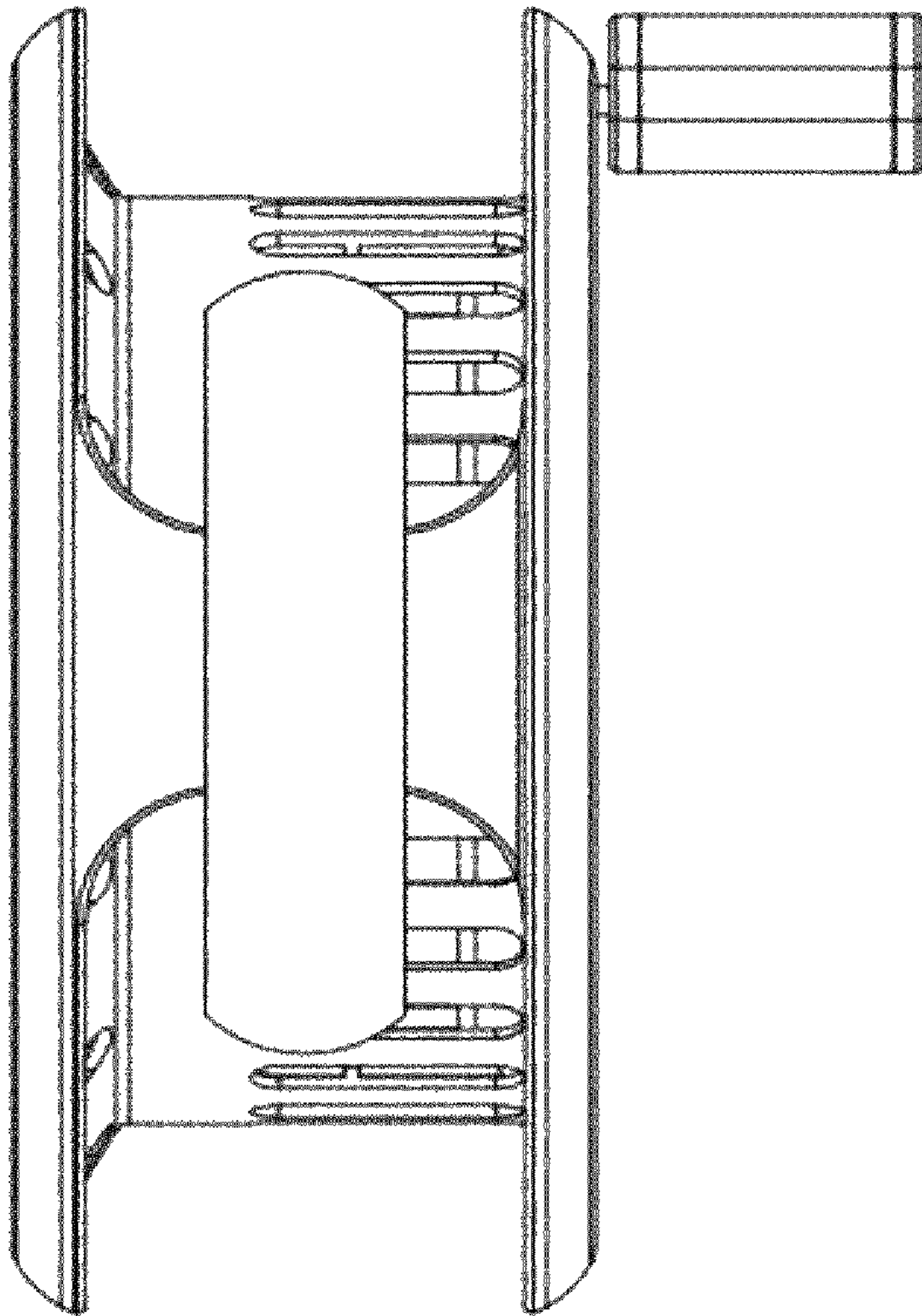


FIG. 5



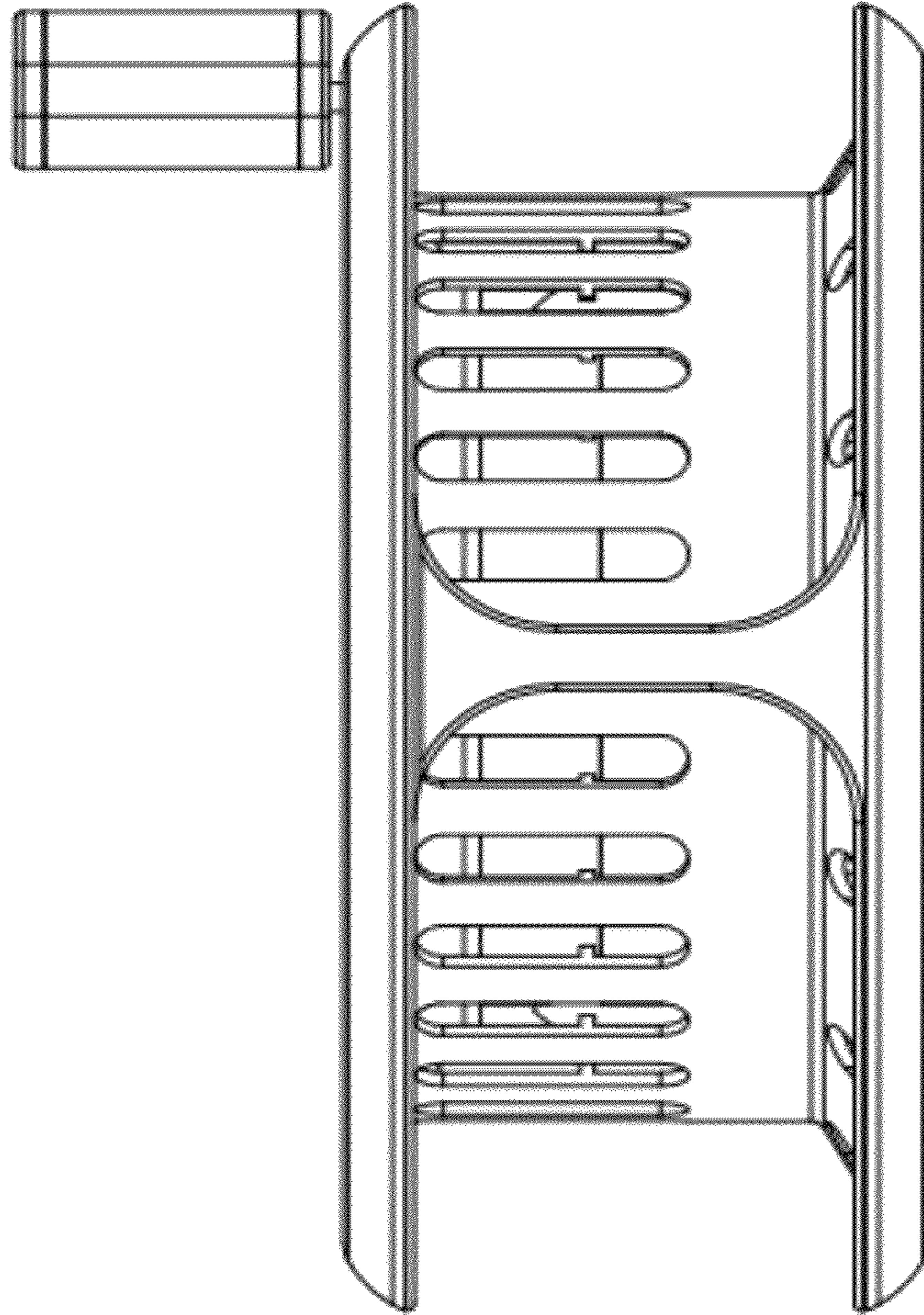


FIG. 6

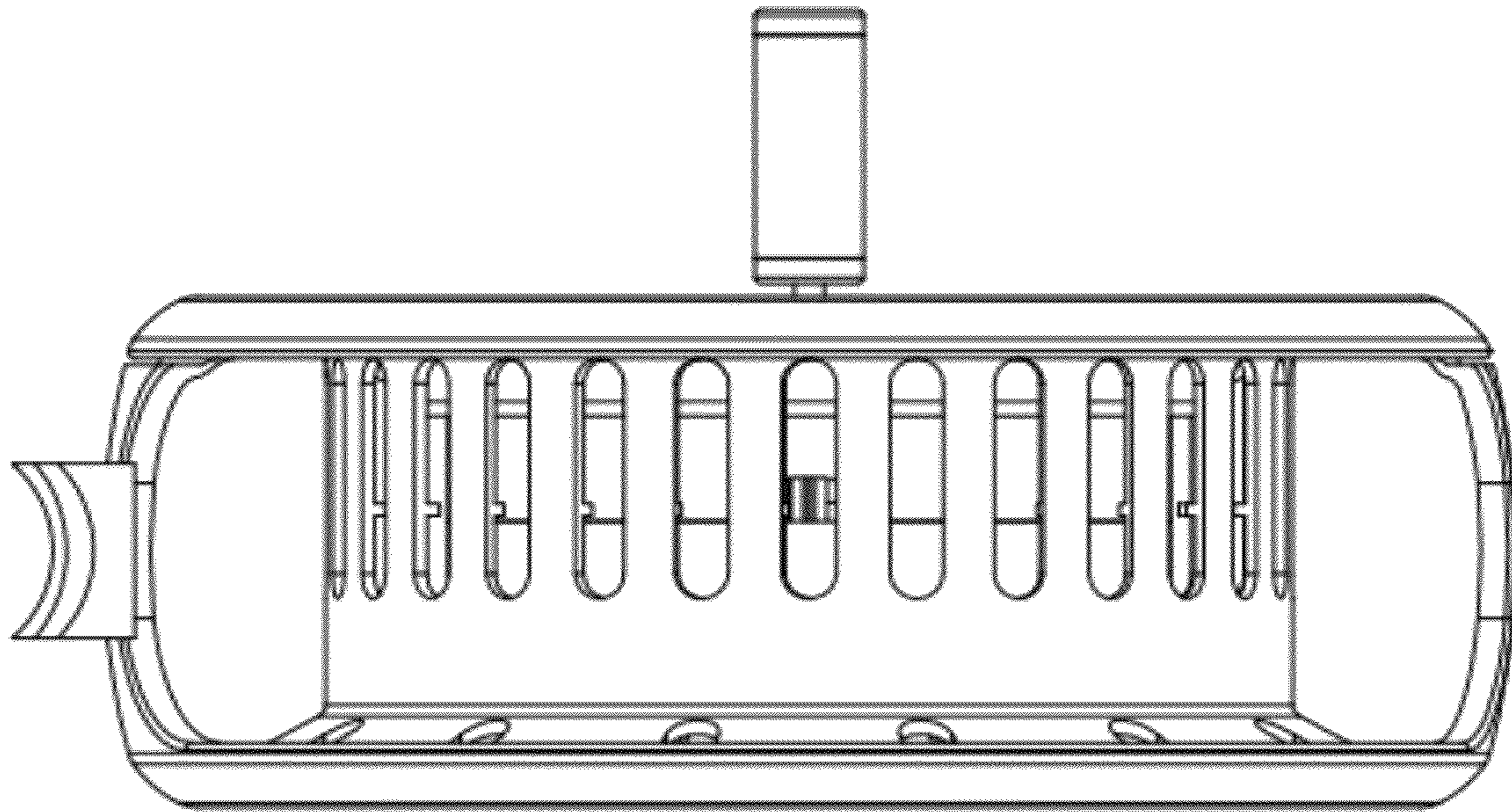


FIG. 7