



US00D676522S

(12) **United States Design Patent**  
**Halseth et al.**

(10) **Patent No.:** **US D676,522 S**

(45) **Date of Patent:** **\*\* Feb. 19, 2013**

(54) **FASTENER FOR FISHING REEL**

(56) **References Cited**

(75) Inventors: **Eivind Halseth**, Oslo (NO); **Tore Vinje Brustad**, Oslo (NO); **Andreas Murray**, Oslo (NO); **Oskar Johansen**, Oslo (NO); **Robert Selfors**, Nesoddtangen (NO)

U.S. PATENT DOCUMENTS

5,088,225	A *	2/1992	Yamamoto	43/22
5,557,875	A *	9/1996	Testa	43/20
5,632,111	A *	5/1997	Takizawa	43/20
6,151,826	A *	11/2000	Grice	43/22
6,374,534	B1 *	4/2002	Takizawa	43/22
D518,868	S *	4/2006	von Mohr et al.	D22/137

\* cited by examiner

(73) Assignee: **Arcticsilver Innovation AS**, Nesoddtangen (NO)

*Primary Examiner* — Catheri Oliver-Garcia

(74) *Attorney, Agent, or Firm* — Cisló & Thomas, LLP

(\*\*) Term: **14 Years**

(57) **CLAIM**

The ornamental design for a fastener for fishing reel, as shown.

(21) Appl. No.: **29/407,100**

**DESCRIPTION**

(22) Filed: **Nov. 22, 2011**

(51) **LOC (9) Cl.** ..... **22-05**

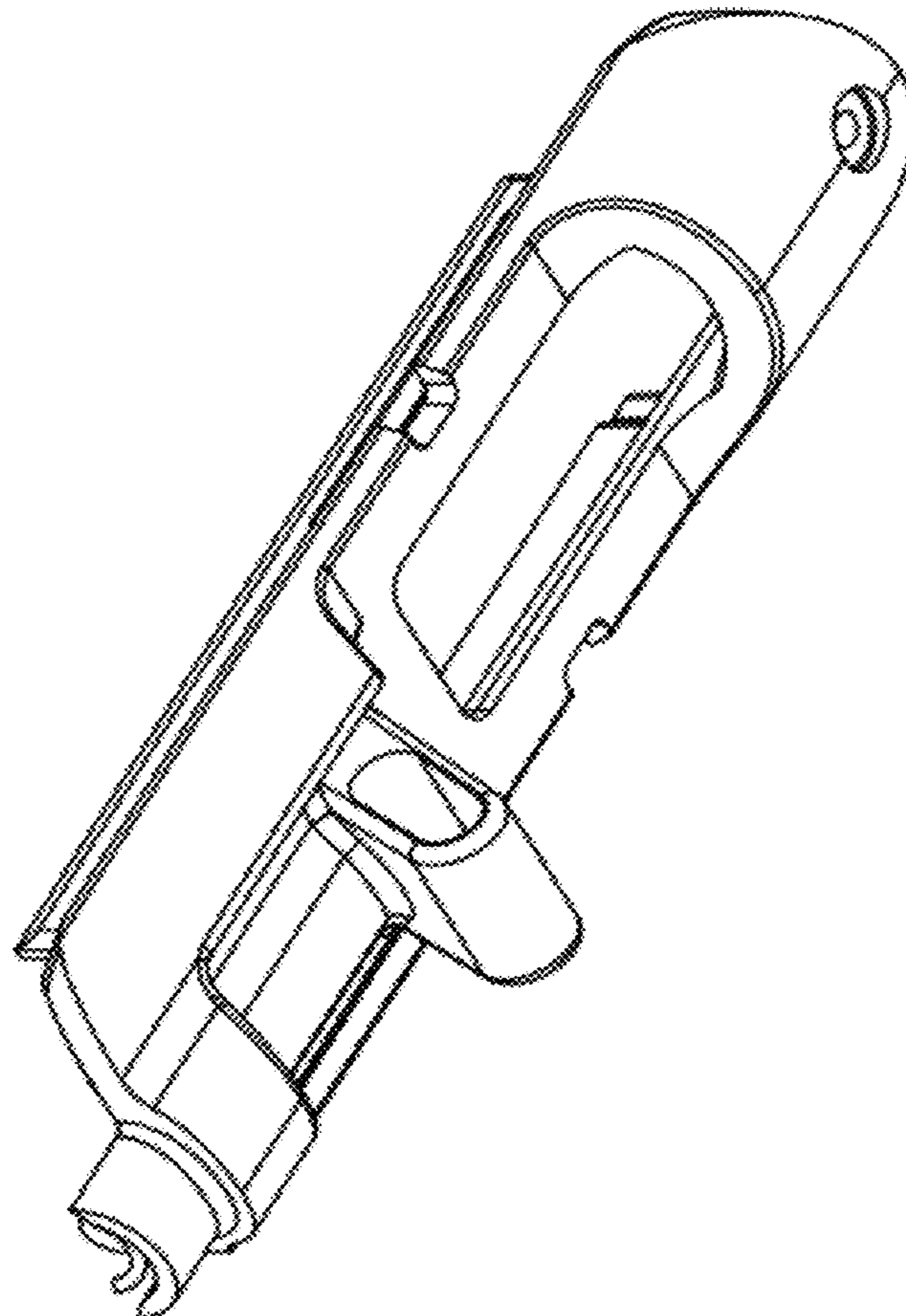
(52) **U.S. Cl.** ..... **D22/137**

(58) **Field of Classification Search** ..... D22/137-141;  
43/20, 22-23

FIG. 1 is a perspective view of the fastener for fishing reel.  
FIG. 2 is a rear view of the fastener for fishing reel.  
FIG. 3 is a left side view of the fastener for fishing reel.  
FIG. 4 is a front view of the fastener for fishing reel.  
FIG. 5 is a top view of the fastener for fishing reel; and,  
FIG. 6 is a bottom view of the fastener for fishing reel.

See application file for complete search history.

**1 Claim, 6 Drawing Sheets**



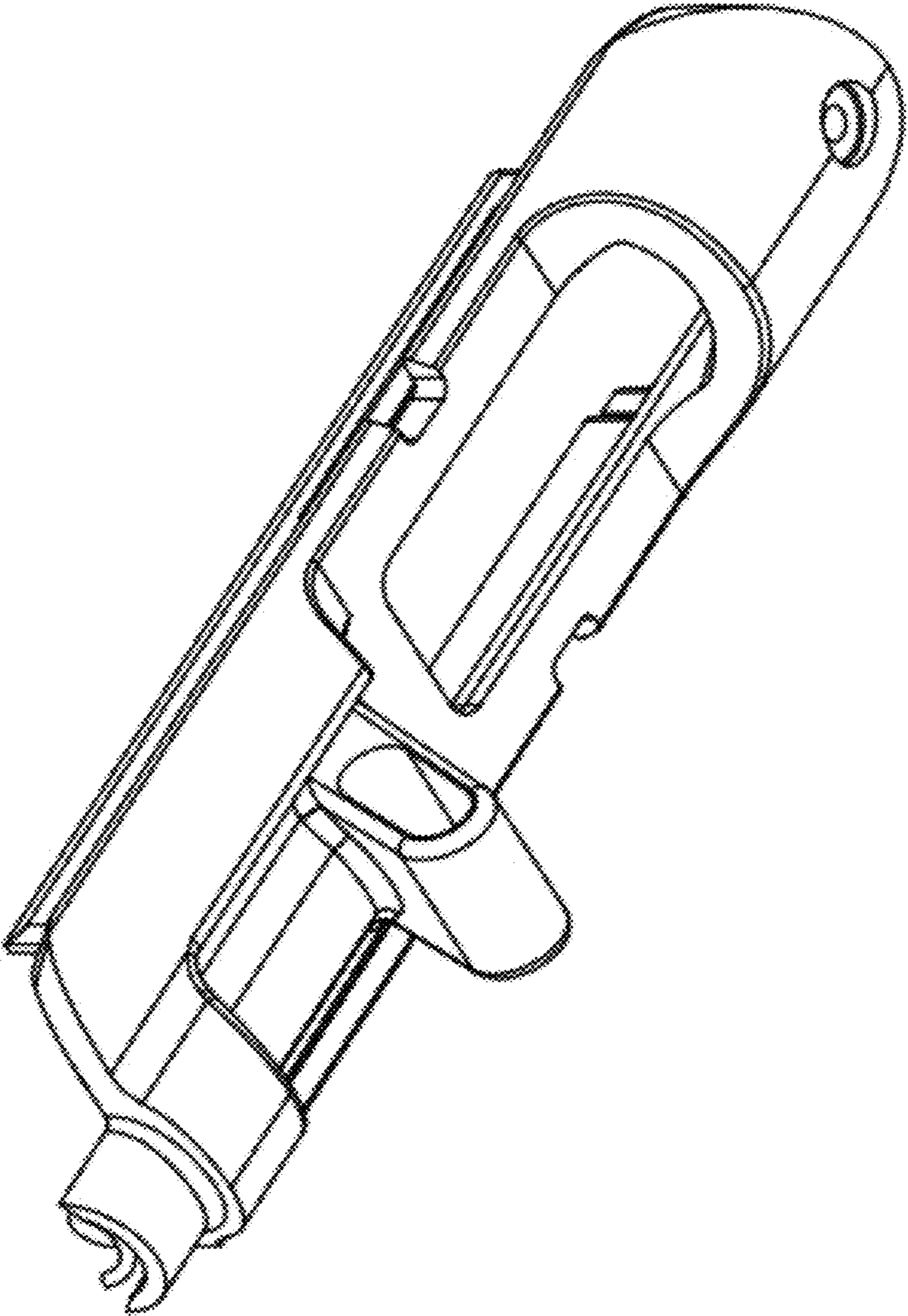


FIG. 1

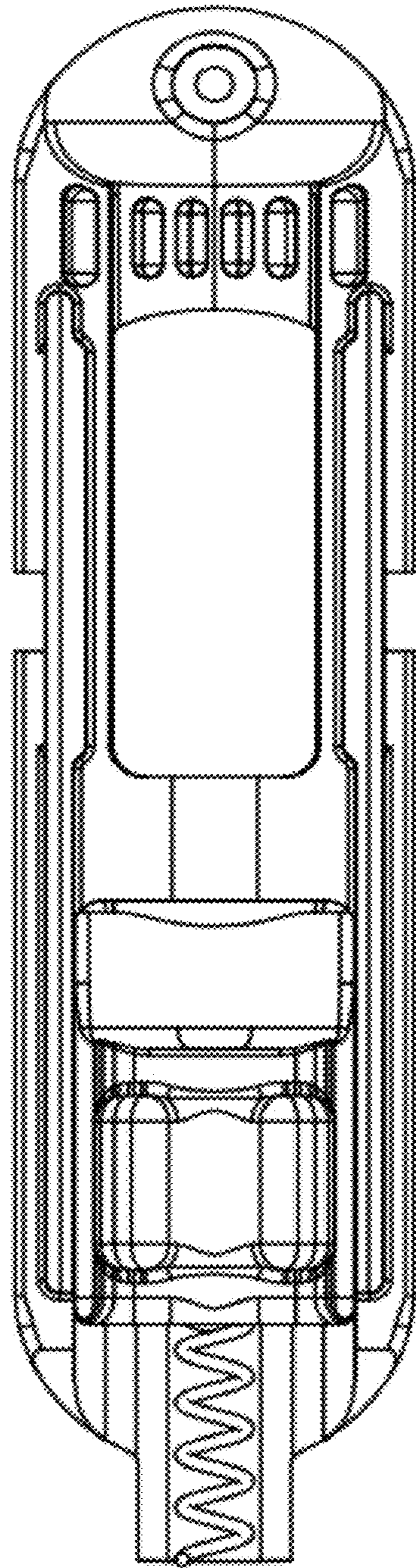


FIG. 2

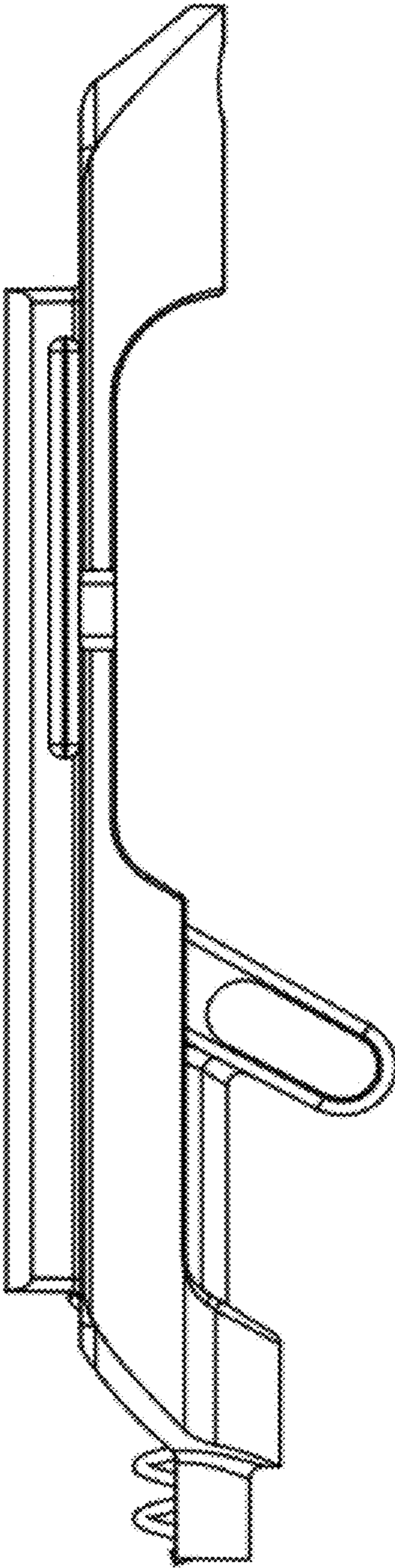


FIG. 3

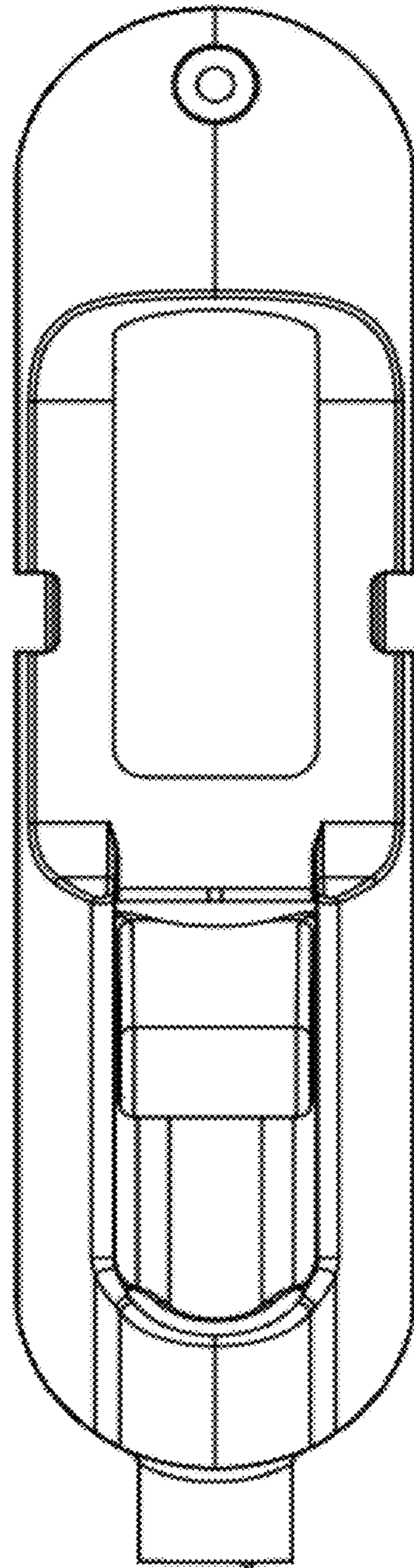


FIG. 4

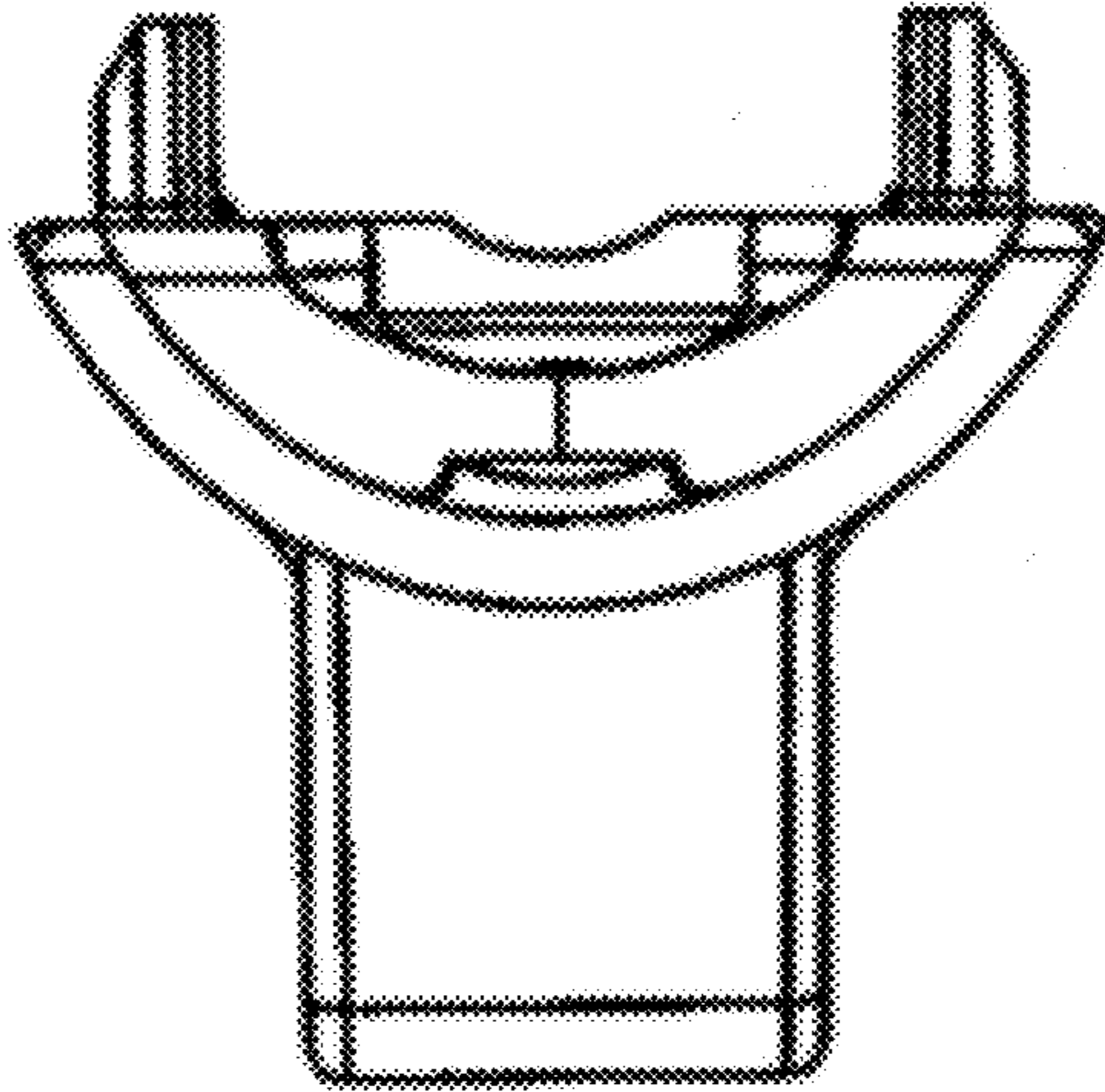


FIG. 5

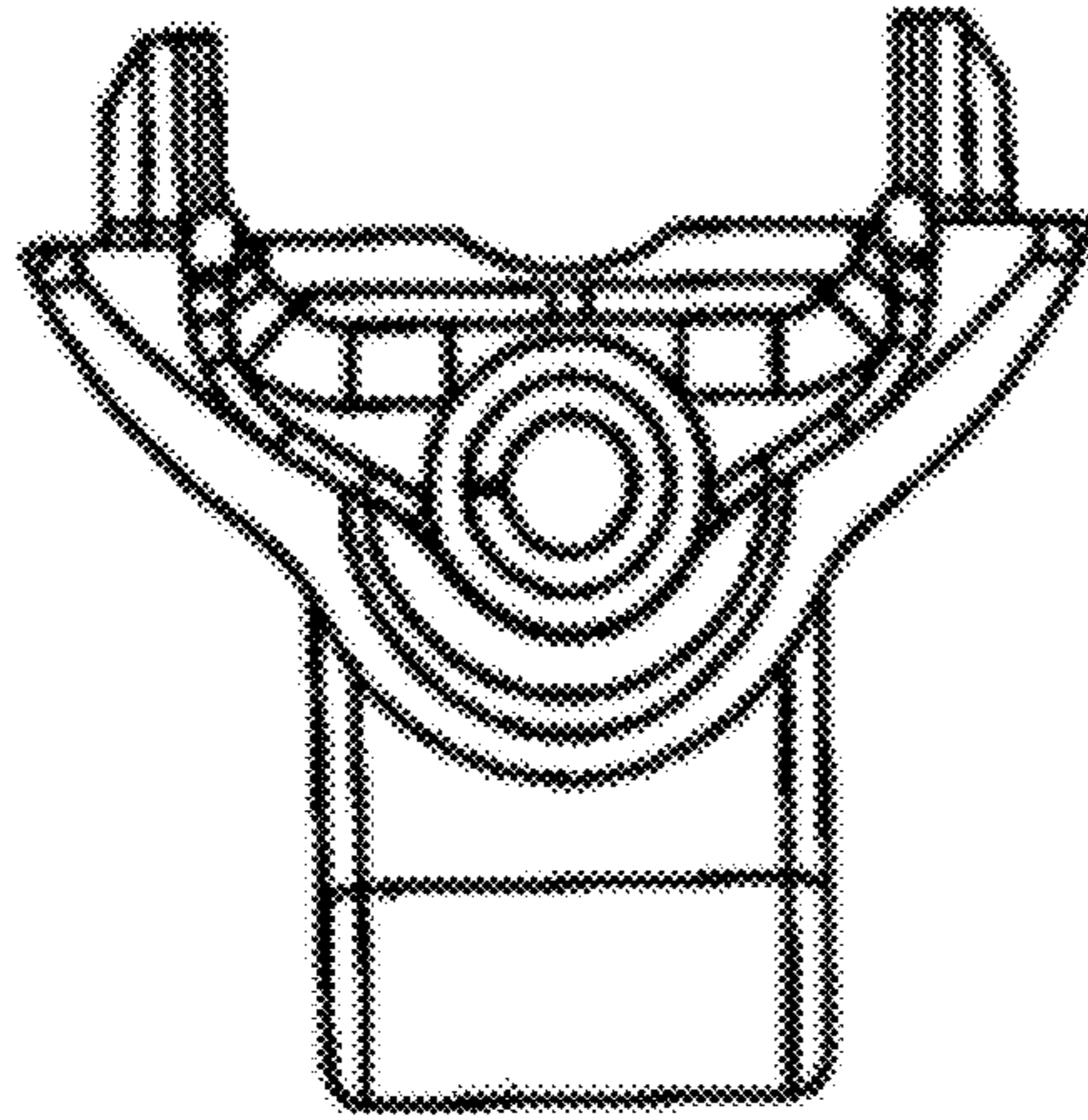


FIG. 6