

US00D676519S

(12) **United States Design Patent**
Cook, Jr. et al.

(10) **Patent No.:** **US D676,519 S**

(45) **Date of Patent:** **** Feb. 19, 2013**

(54) **FISHING LURE**

(76) Inventors: **Victor J. Cook, Jr.**, Columbus, OH (US); **Grant Koppers**, Niagara On The Lake (CA)

(**) Term: **14 Years**

(21) Appl. No.: **29/422,842**

(22) Filed: **May 24, 2012**

(51) **LOC (9) Cl.** **22-05**

(52) **U.S. Cl.** **D22/133**

(58) **Field of Classification Search** D22/126-133;
43/42.44, 42.48, 42.45, 43, 35, 42.08, 42.06,
43/42.05, 42, 42.31, 42.02

See application file for complete search history.

(56) **References Cited**

U.S. PATENT DOCUMENTS

D159,402 S *	7/1950	Algier	D22/133
4,536,987 A *	8/1985	Sanders et al.	43/42.34
D449,871 S *	10/2001	Keywan et al.	D22/133
D518,549 S *	4/2006	Hirahara et al.	D22/133

* cited by examiner

Primary Examiner — Catheri Oliver-Garcia

(74) *Attorney, Agent, or Firm* — Wm. Cates Rambo

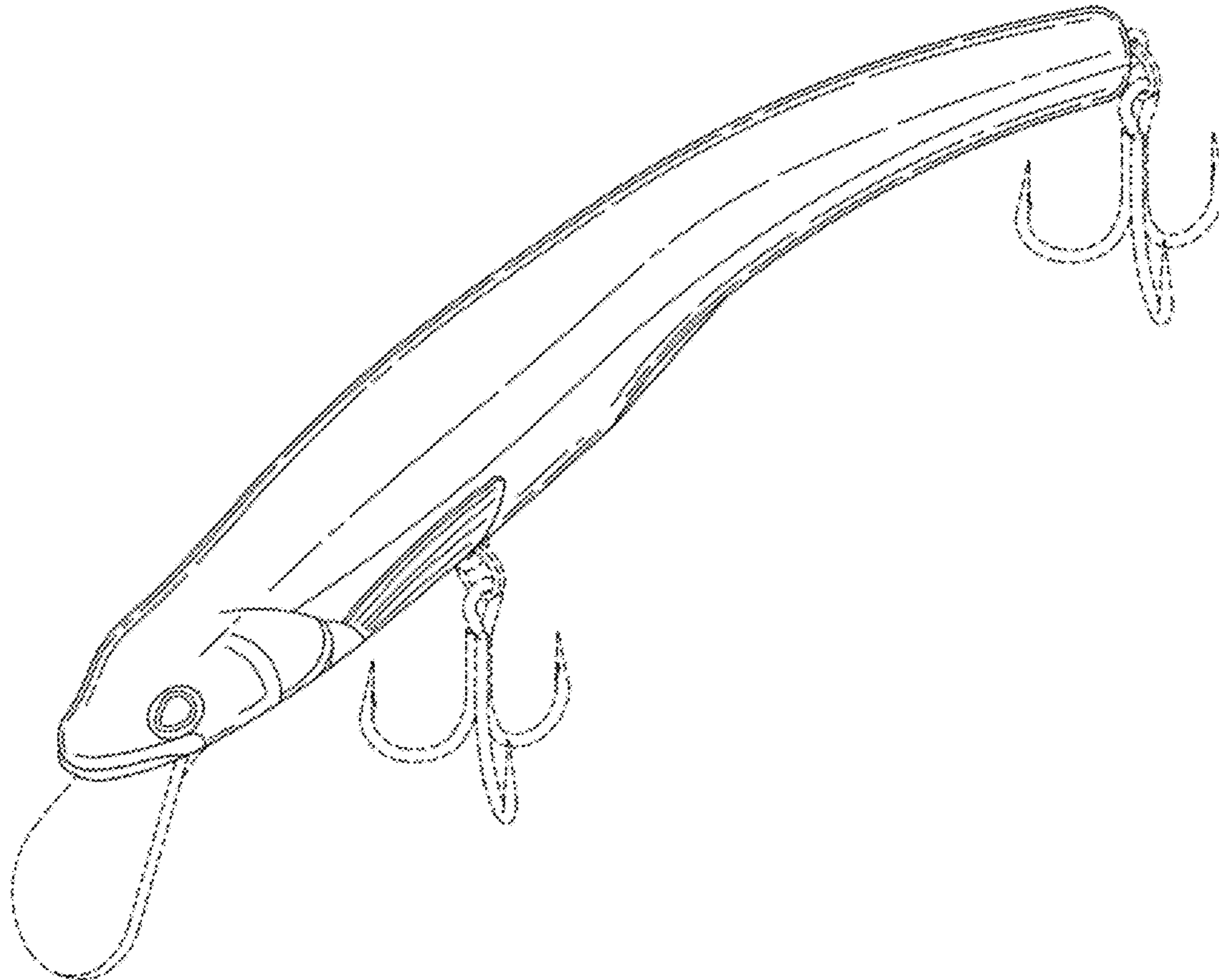
(57) **CLAIM**

The ornamental design for a fishing lure, as shown and described.

DESCRIPTION

FIG. 1 is a perspective view of a fishing lure;
FIG. 2 is a right side elevational view thereof;
FIG. 3 is a left side elevational view thereof;
FIG. 4 is a top plan view thereof;
FIG. 5 is a bottom plan view thereof;
FIG. 6 is a front elevational view thereof; and,
FIG. 7 is a rear elevational view thereof.
The portions shown in broken lines are included for illustrative purposes only and form no part of the claimed design.

1 Claim, 3 Drawing Sheets



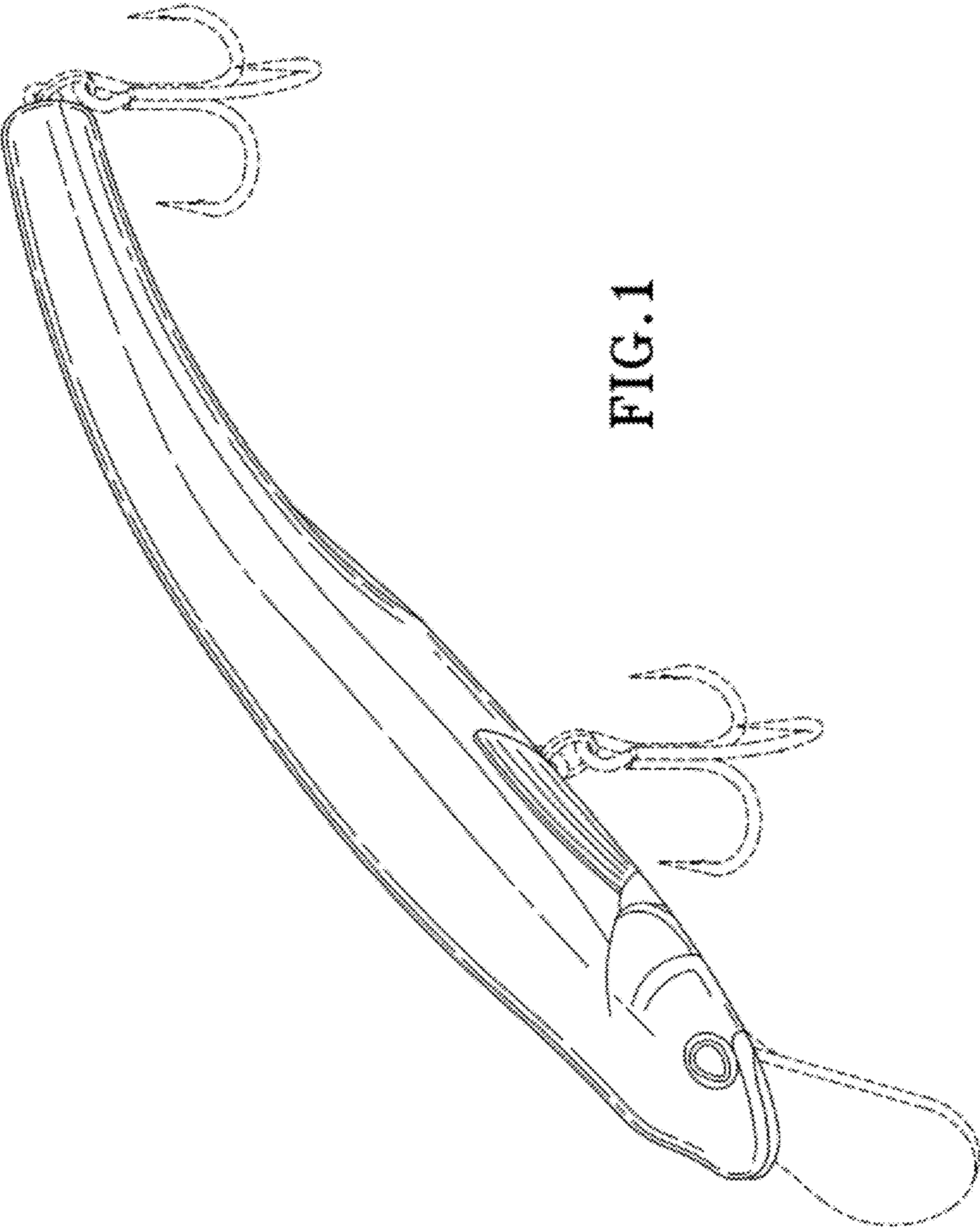


FIG. 1

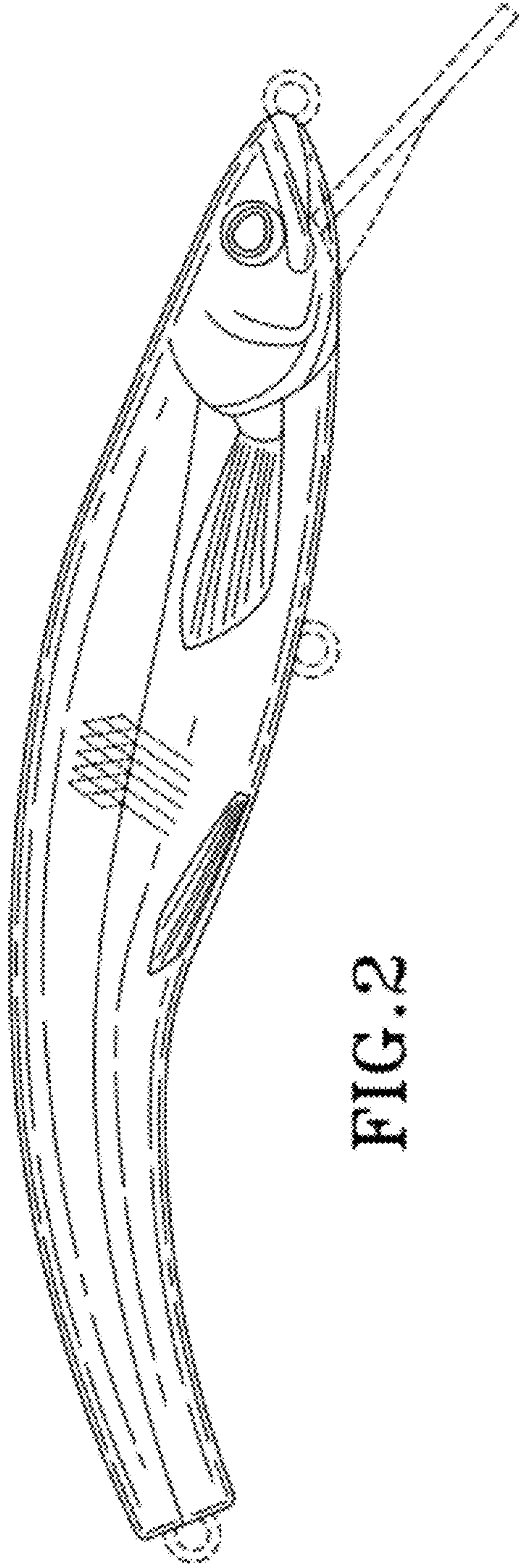


FIG. 2

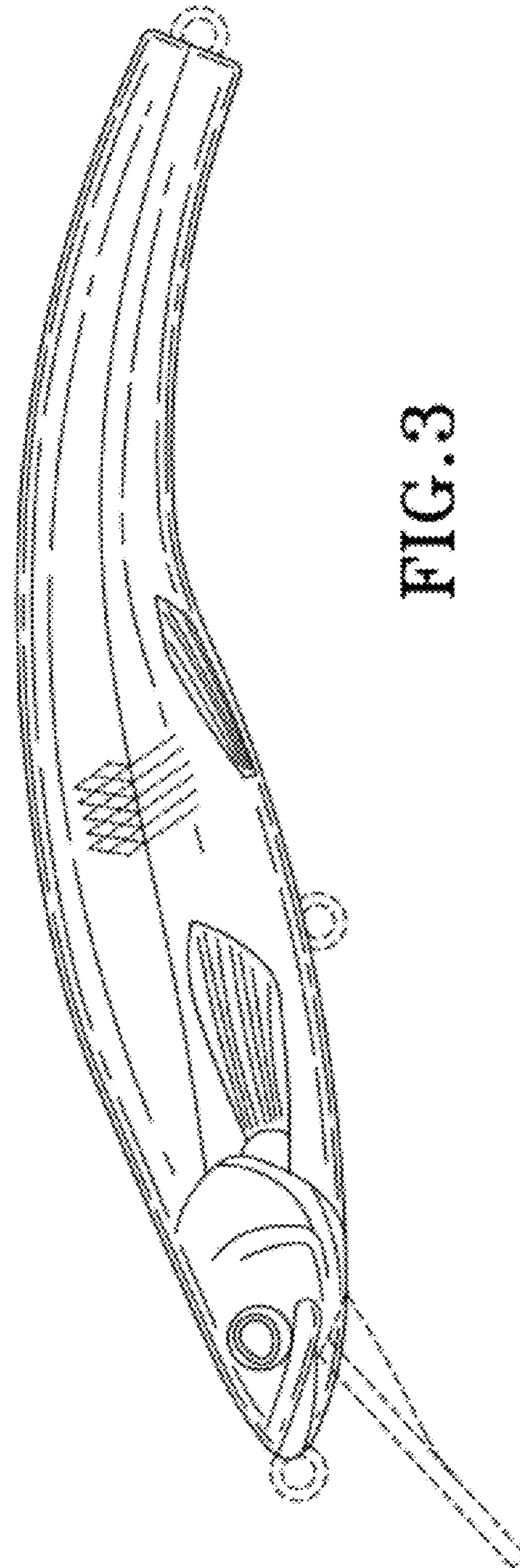


FIG. 3

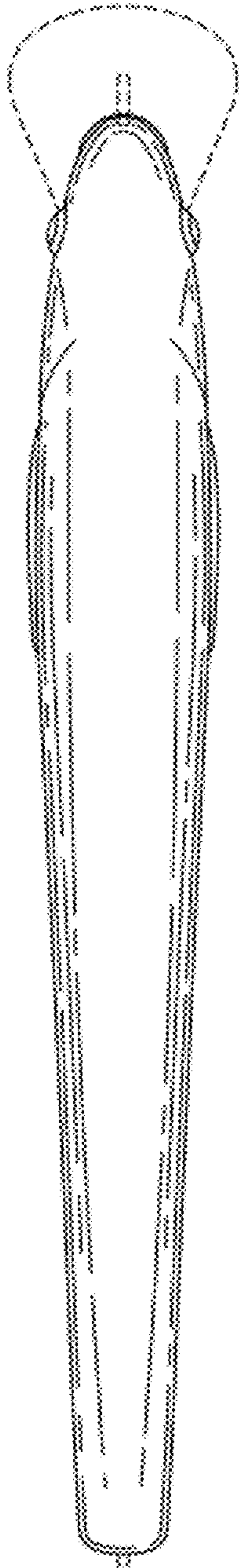


FIG. 4

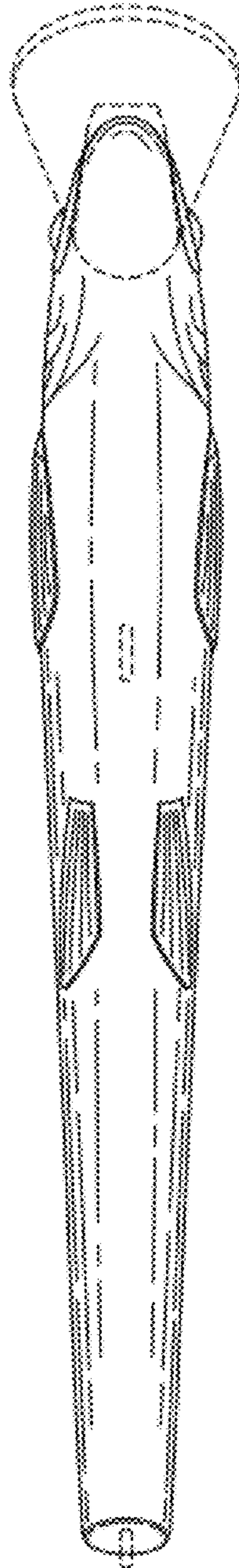


FIG. 5

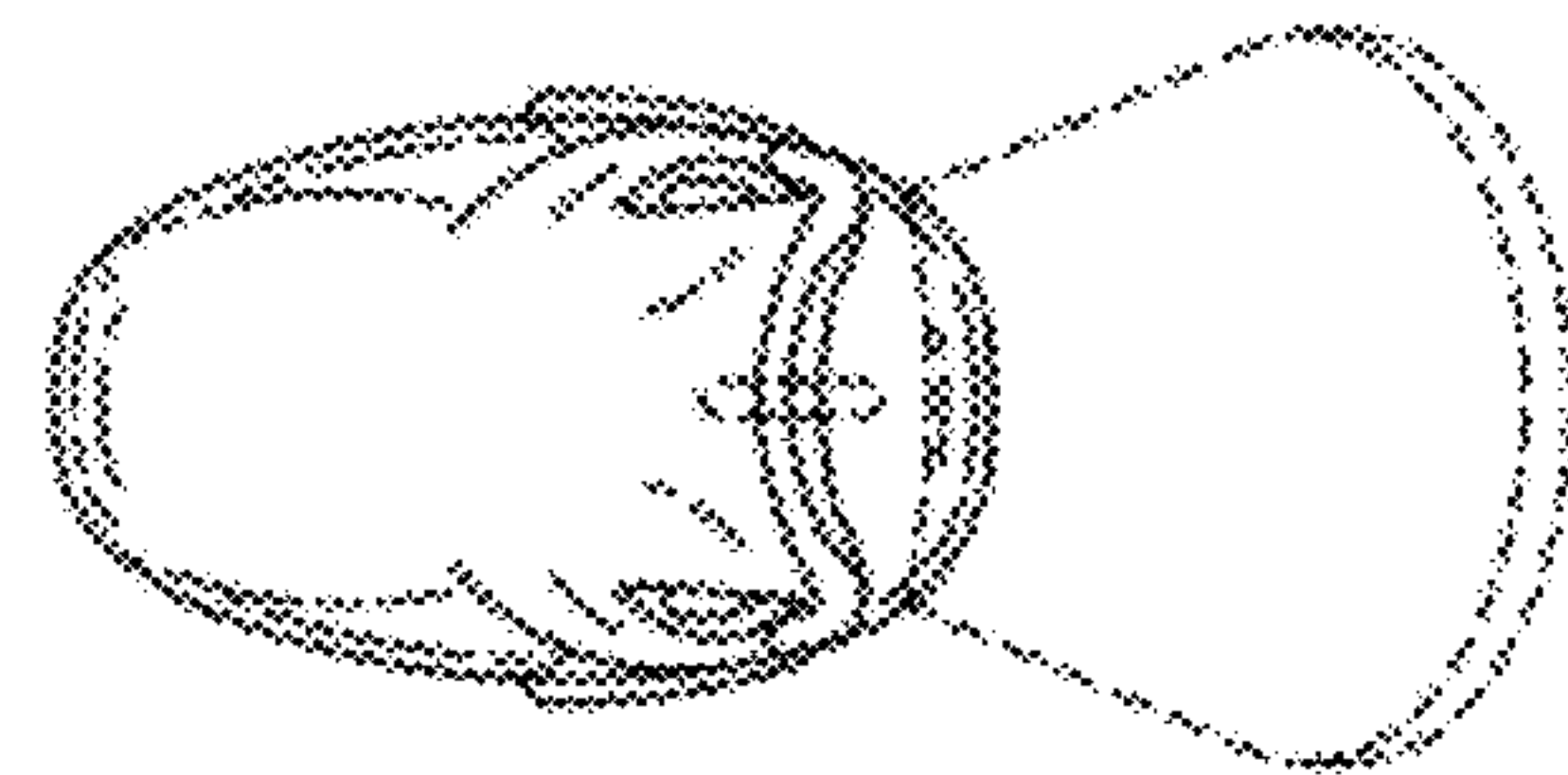


FIG. 6

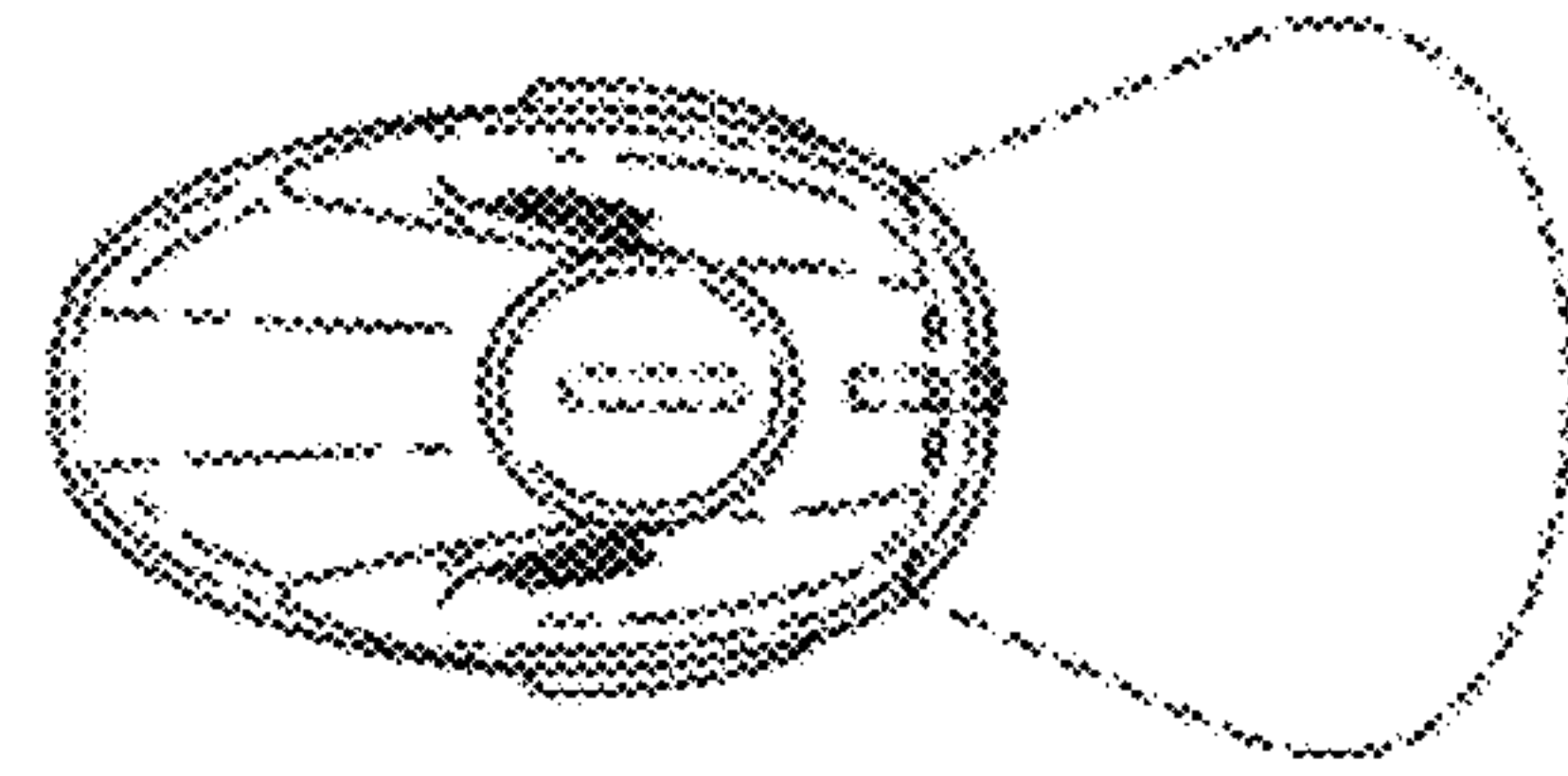


FIG. 7