



US00D676515S

(12) **United States Design Patent**
Mosteller

(10) **Patent No.:** **US D676,515 S**
(45) **Date of Patent:** **** Feb. 19, 2013**

(54) **BOW HOLDER**

DESCRIPTION

- (75) Inventor: **Dean Edward Mosteller**, Lynchburg, VA (US)
 - (73) Assignee: **4D Outdoors LLC**, Lynchburg, VA (US)
 - (**) Term: **14 Years**
 - (21) Appl. No.: **29/402,486**
 - (22) Filed: **Sep. 23, 2011**
 - (51) **LOC (9) Cl.** **22-01**
 - (52) **U.S. Cl.** **D22/107**
 - (58) **Field of Classification Search** D22/107;
211/85.7; 248/121–125.9; D8/373; 124/23.1;
D6/552
- See application file for complete search history.

(56) **References Cited**

U.S. PATENT DOCUMENTS

| | | | |
|-------------------|---------|---------------------|-----------|
| D260,674 S * | 9/1981 | Simmons et al. | D6/552 |
| D299,199 S * | 1/1989 | Rogowski | D6/552 |
| D375,645 S * | 11/1996 | Foster et al. | D6/552 |
| 5,711,467 A * | 1/1998 | Brown, Sr. | 224/248 |
| 5,725,106 A * | 3/1998 | Wilson | 211/13.1 |
| 5,775,658 A * | 7/1998 | Englehardt | 248/309.1 |
| 5,941,490 A * | 8/1999 | Pearse | 248/302 |
| D422,333 S * | 4/2000 | Foster et al. | D22/107 |
| 6,726,162 B1 * | 4/2004 | Winter | 248/218.4 |
| 6,948,690 B1 * | 9/2005 | Sandel | 248/218.4 |
| 7,314,199 B1 * | 1/2008 | Ward | 248/166 |
| 2002/0194768 A1 * | 12/2002 | Smith | 43/21.2 |

* cited by examiner

Primary Examiner — Michael A Pratt

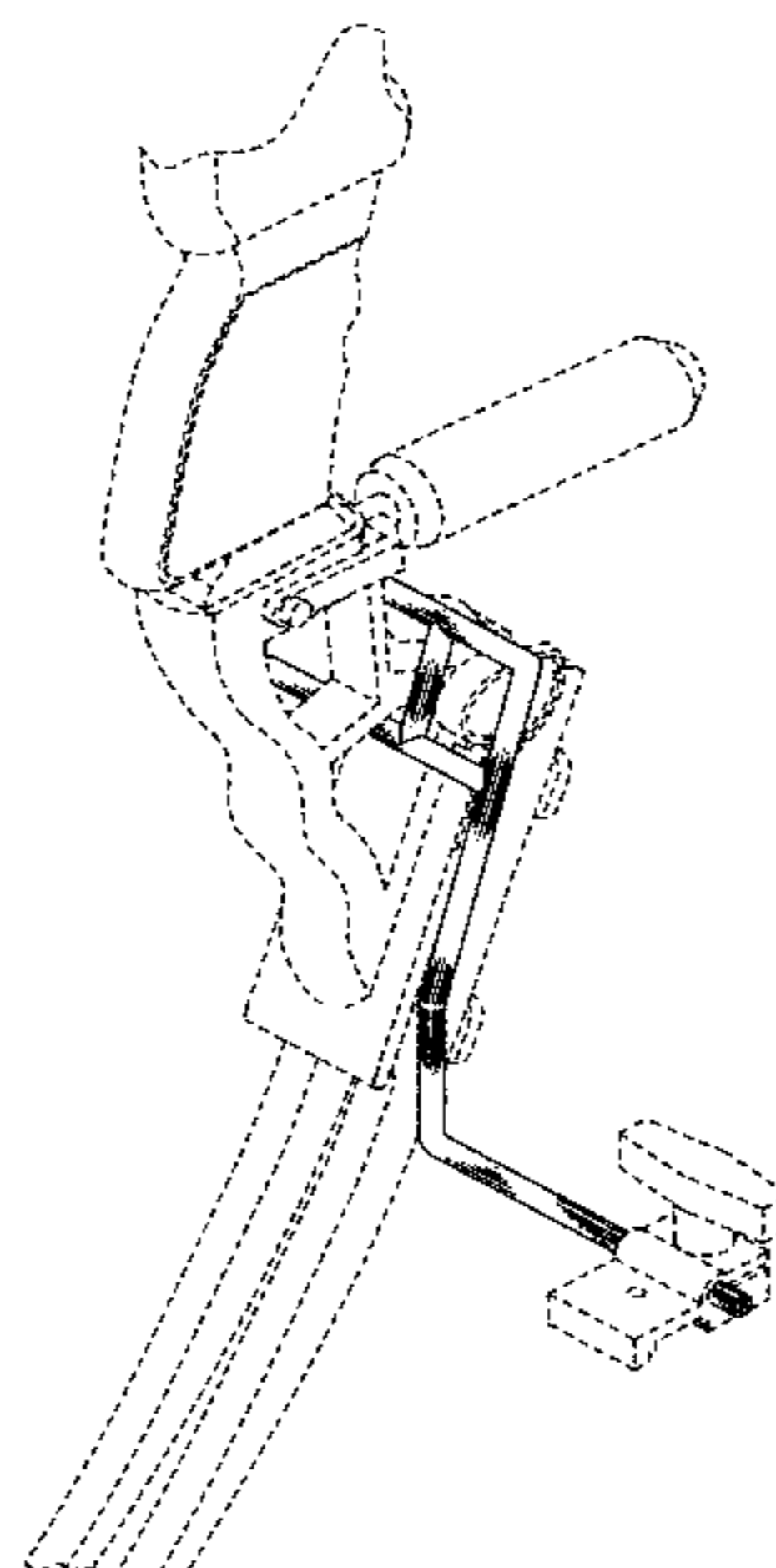
(74) *Attorney, Agent, or Firm* — Rhodes Donahoe, PC;
Christopher R. Rhodes

(57) **CLAIM**

The ornamental design for an bow holder, as shown and described.

FIG. 1 is an environmental perspective view of the right hand article showing the new design;
 FIG. 2 is an environmental perspective view of right hand article showing only the article thereof;
 FIG. 3 is an environmental front view of right hand article thereof;
 FIG. 4 is an environmental rear view of right hand article thereof;
 FIG. 5 is an environmental top view of right hand article thereof;
 FIG. 6 is an environmental bottom view of right hand article thereof;
 FIG. 7 is an environmental left side view of right hand article thereof;
 FIG. 8 is an environmental right side view of right hand article thereof;
 FIG. 9 is an environmental perspective of the left hand article showing the new design;
 FIG. 10 is an environmental perspective view of left hand article showing only the archery bow holder thereof;
 FIG. 11 is an environmental front view of the left hand article thereof;
 FIG. 12 is an environmental rear view of the left hand article thereof;
 FIG. 13 is an environmental top view of the left hand article thereof;
 FIG. 14 is an environmental bottom view of the left hand article thereof;
 FIG. 15 is an environmental right side view of the left hand article thereof; and,
 FIG. 16 is an environmental left side view of the left hand article thereof.
 FIG. 17 is an environmental perspective view of the right hand article showing the article with the additional stop rod 8 coupled; and,
 FIG. 18 is an environmental perspective view of the left hand article showing the article with the additional stop rod 8 coupled.
 The broken line showing of the archery bow in FIG. 1 and FIG. 9 are for illustration purposes to show how the article engages the archery bow only and forms no part of the claimed design. The broken line showing of the clamp in FIG. 1 and FIG. 9 is for illustrative purposes, merely showing the types of attachments which can be used, and forms no part of the claimed design.

1 Claim, 7 Drawing Sheets



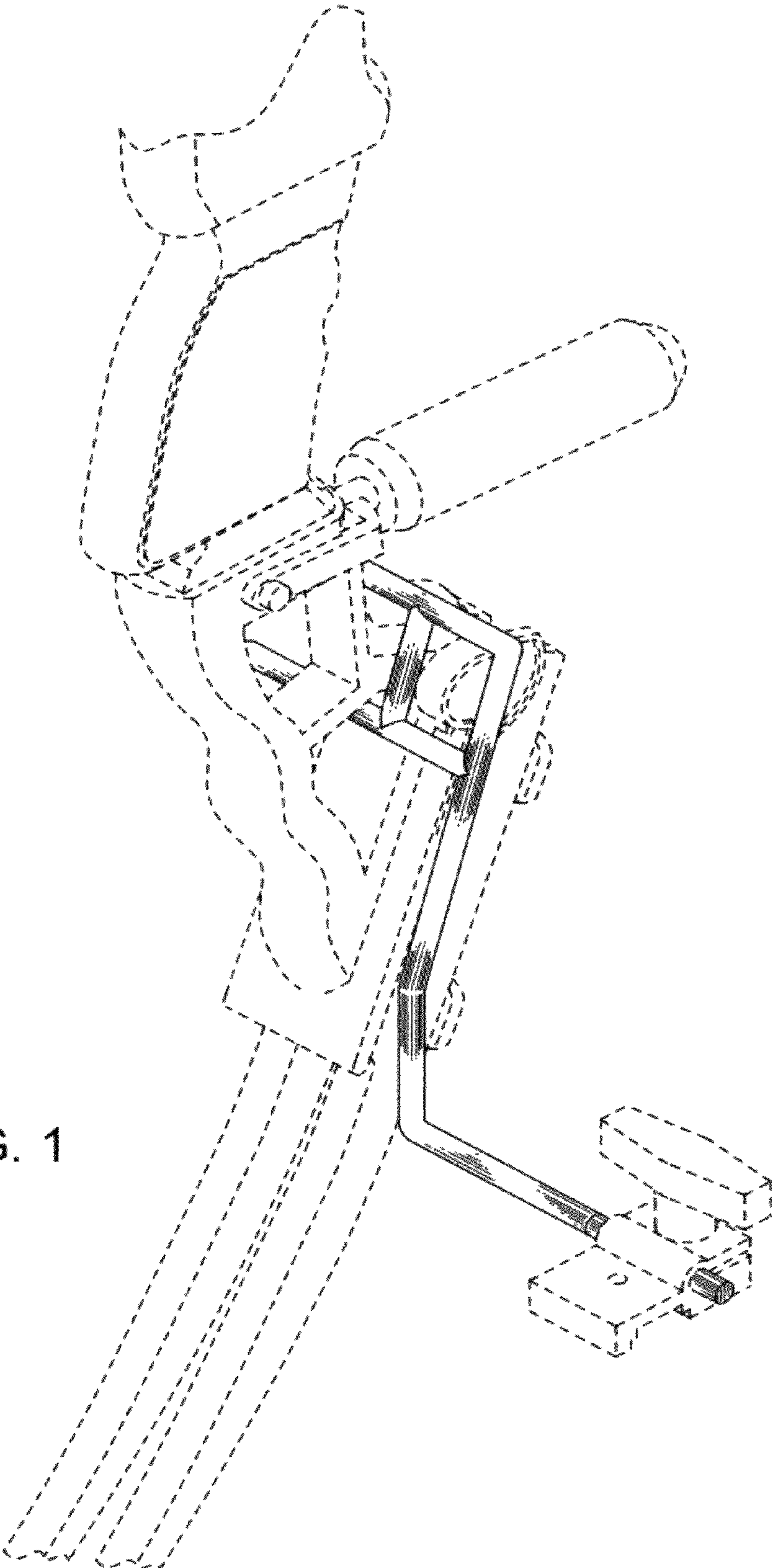


FIG. 1

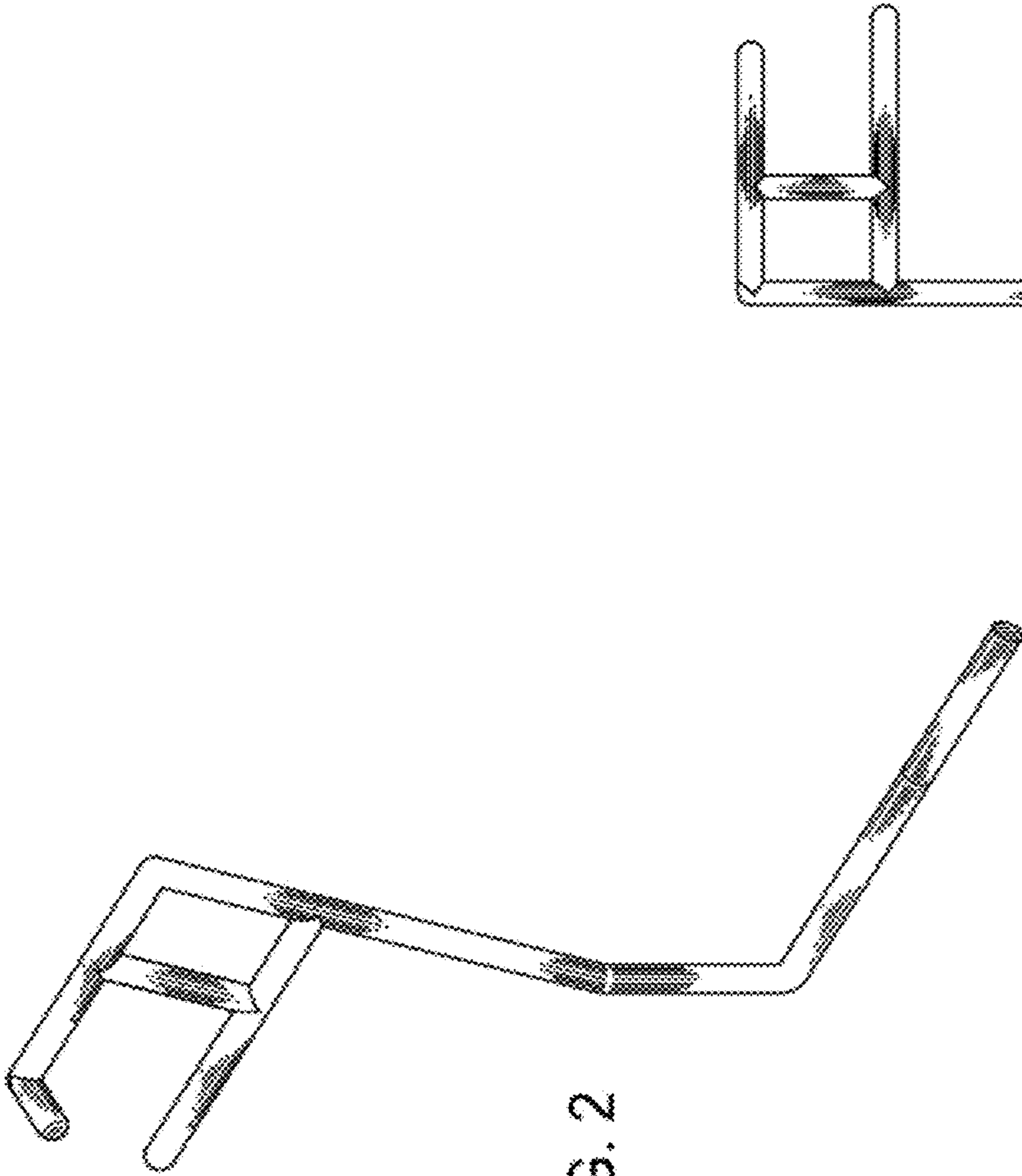


FIG. 2

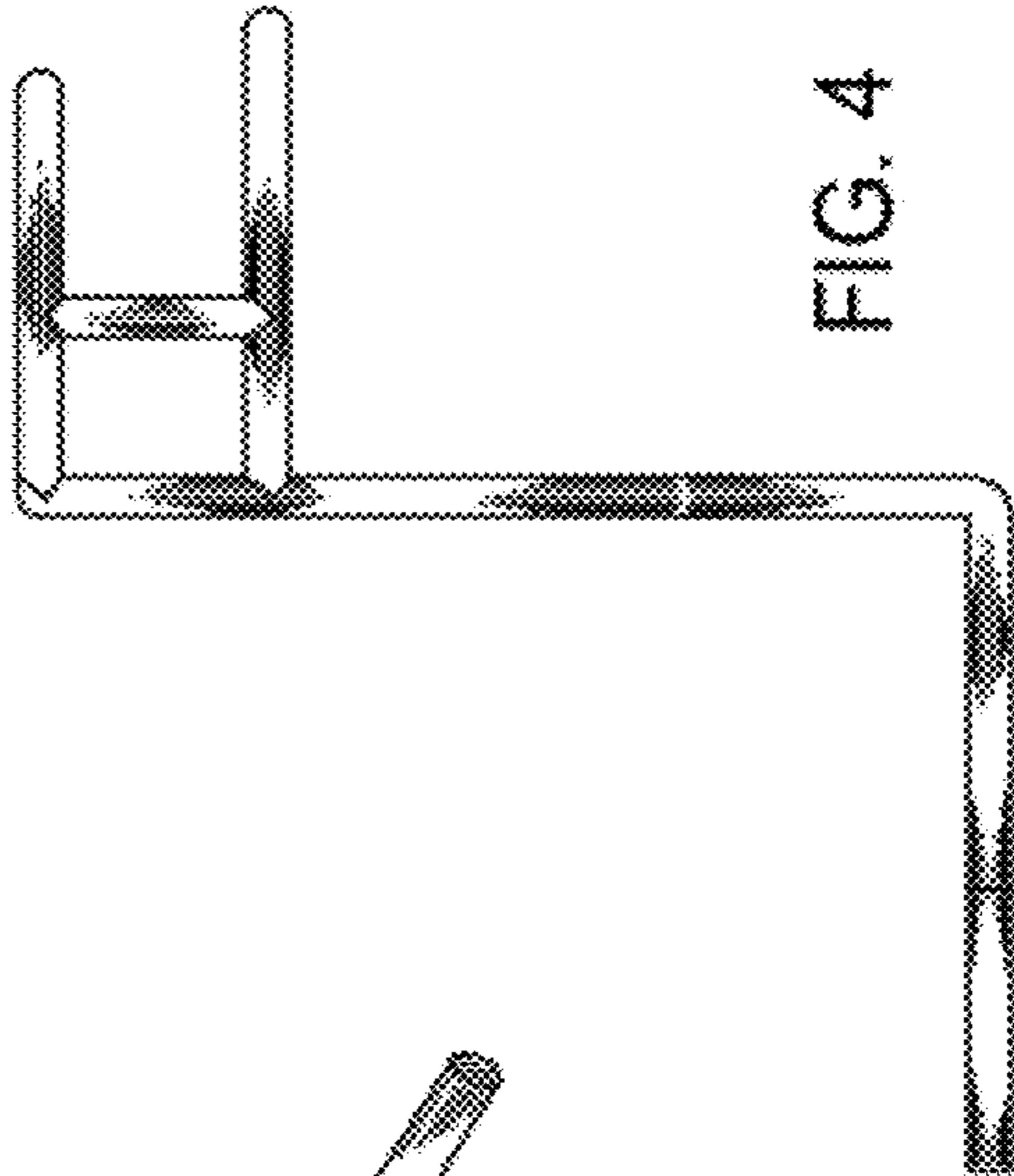


FIG. 4

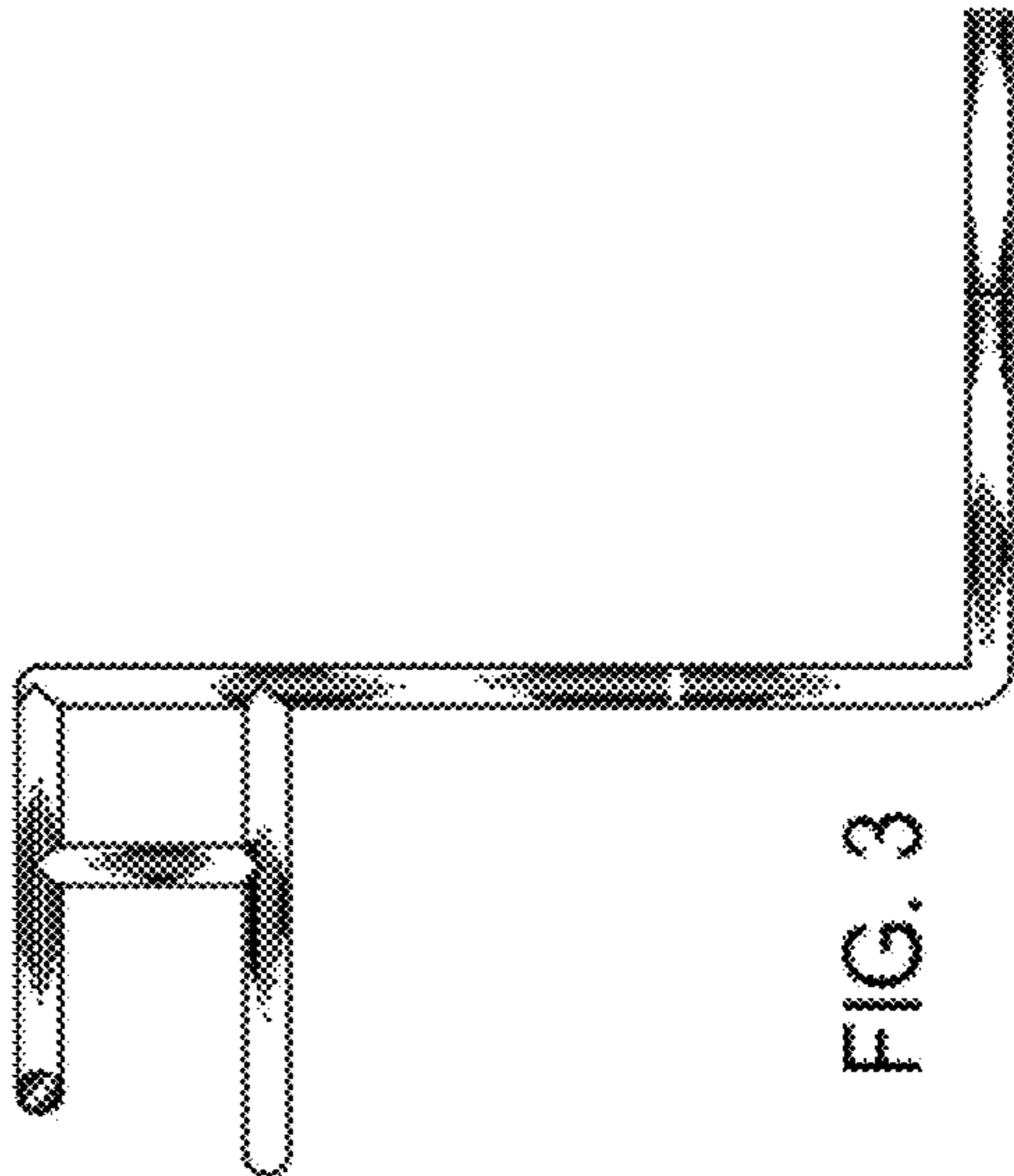


FIG. 3

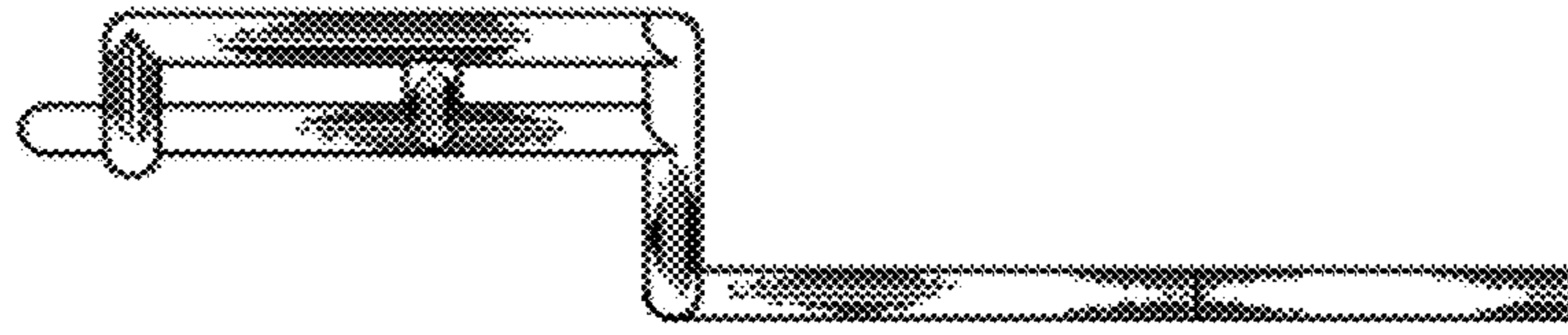


FIG. 5

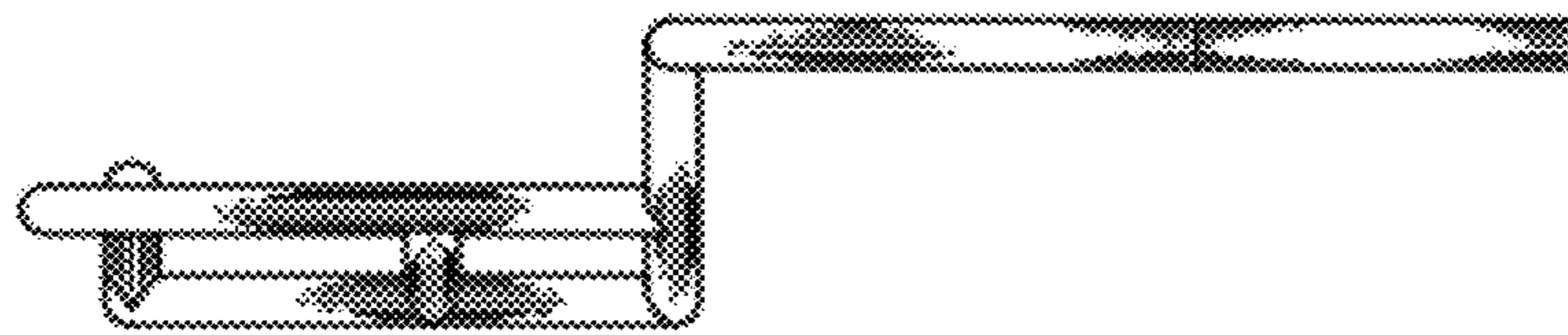


FIG. 6

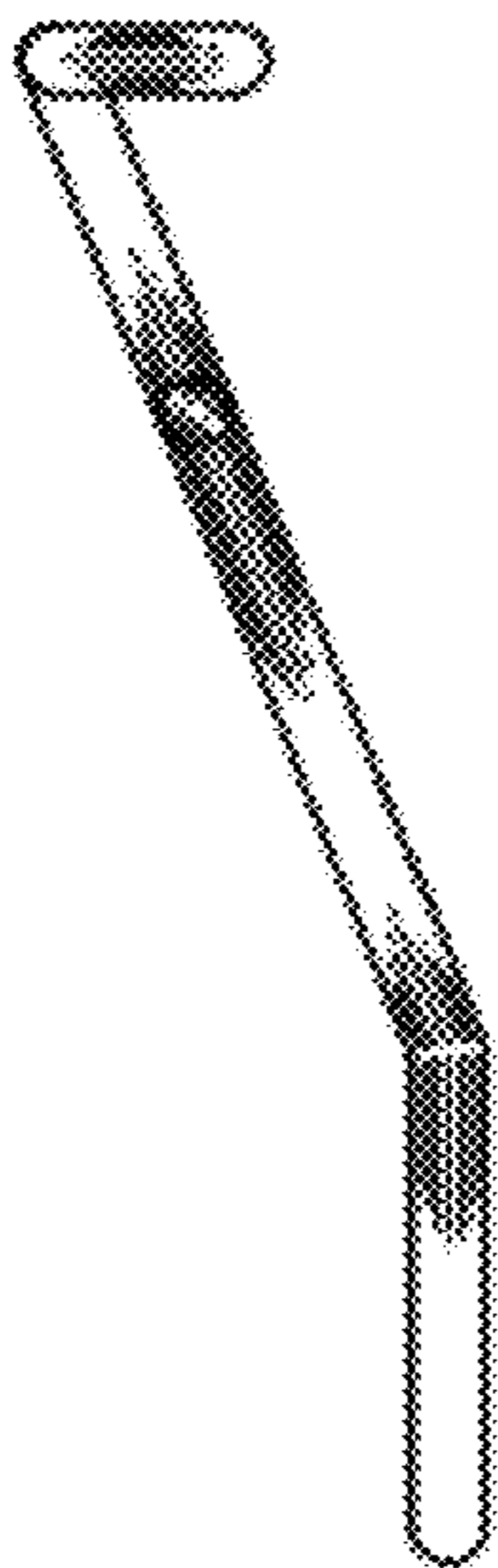


FIG. 7

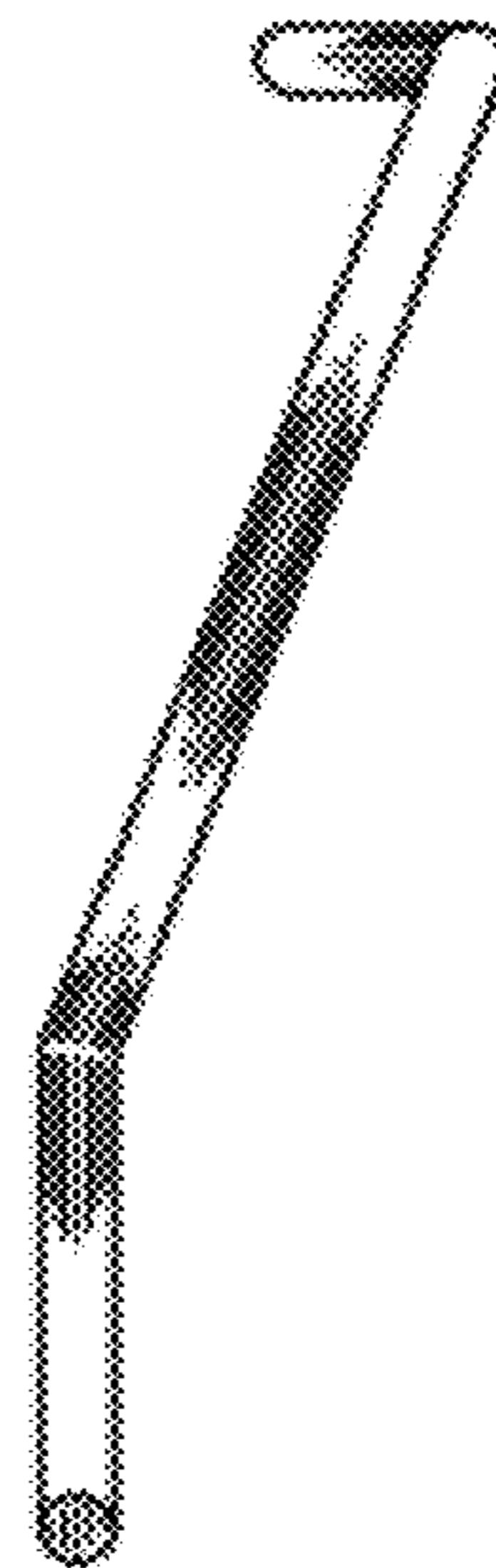


FIG. 8

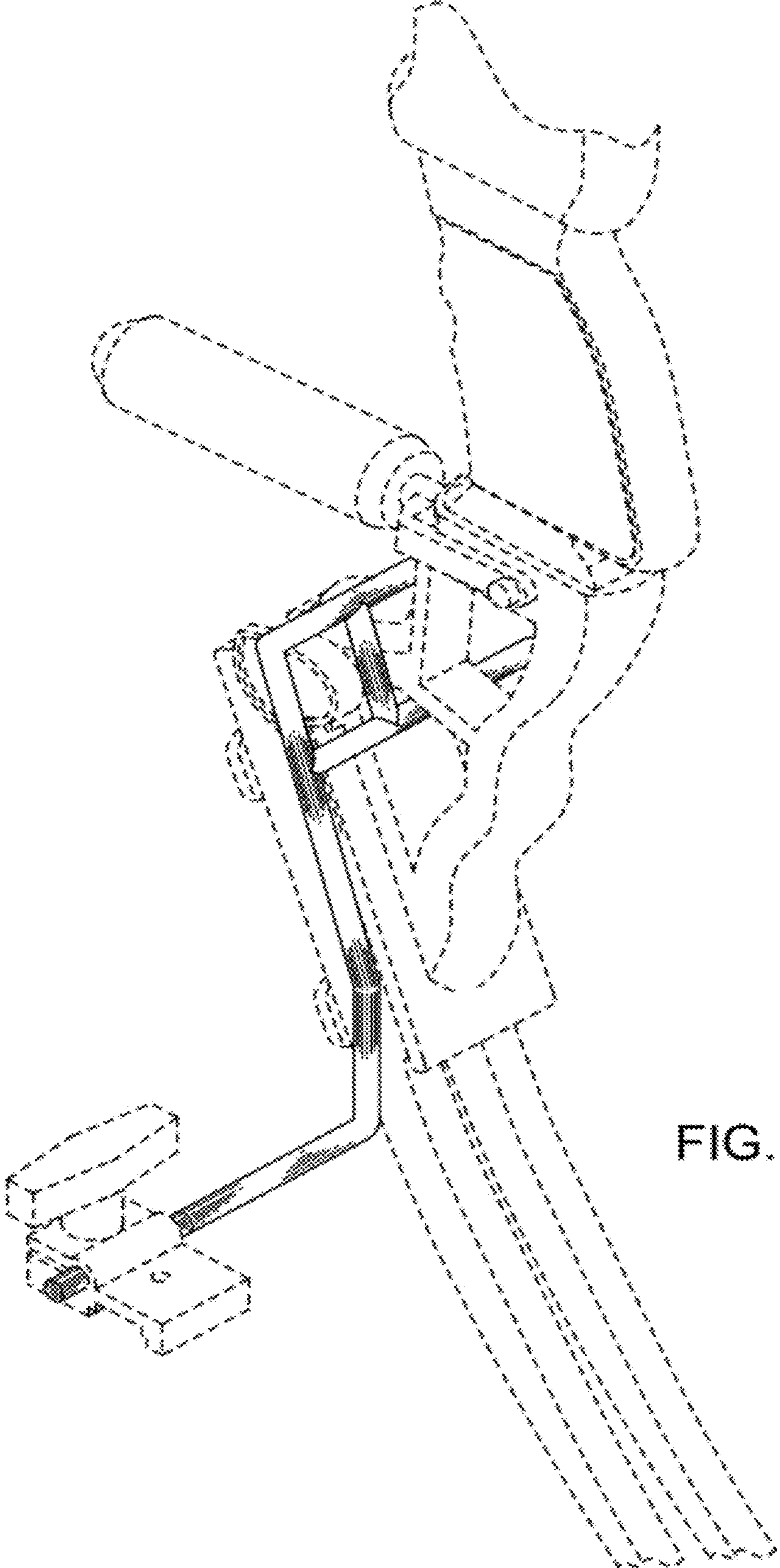


FIG. 9

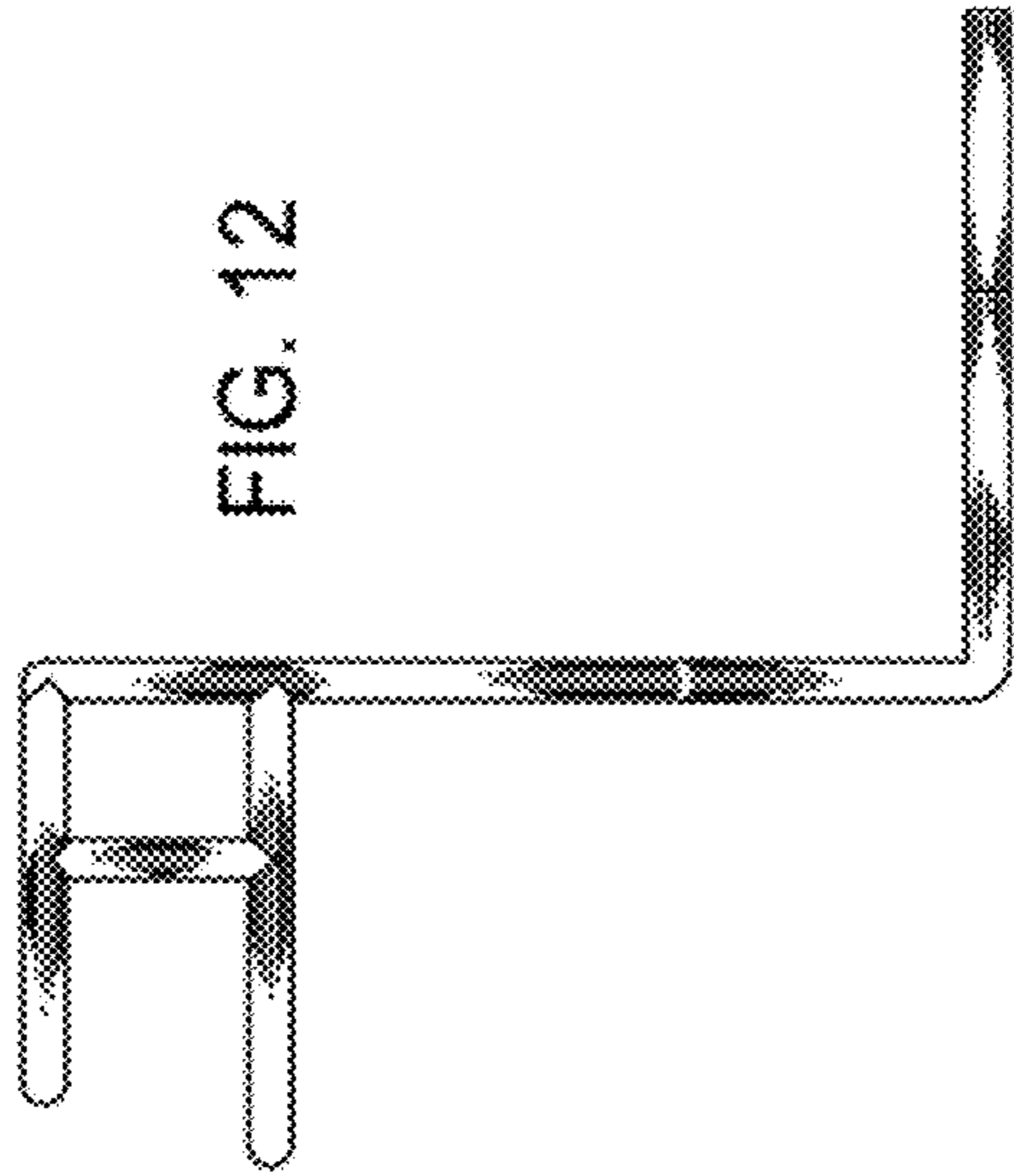


FIG. 12

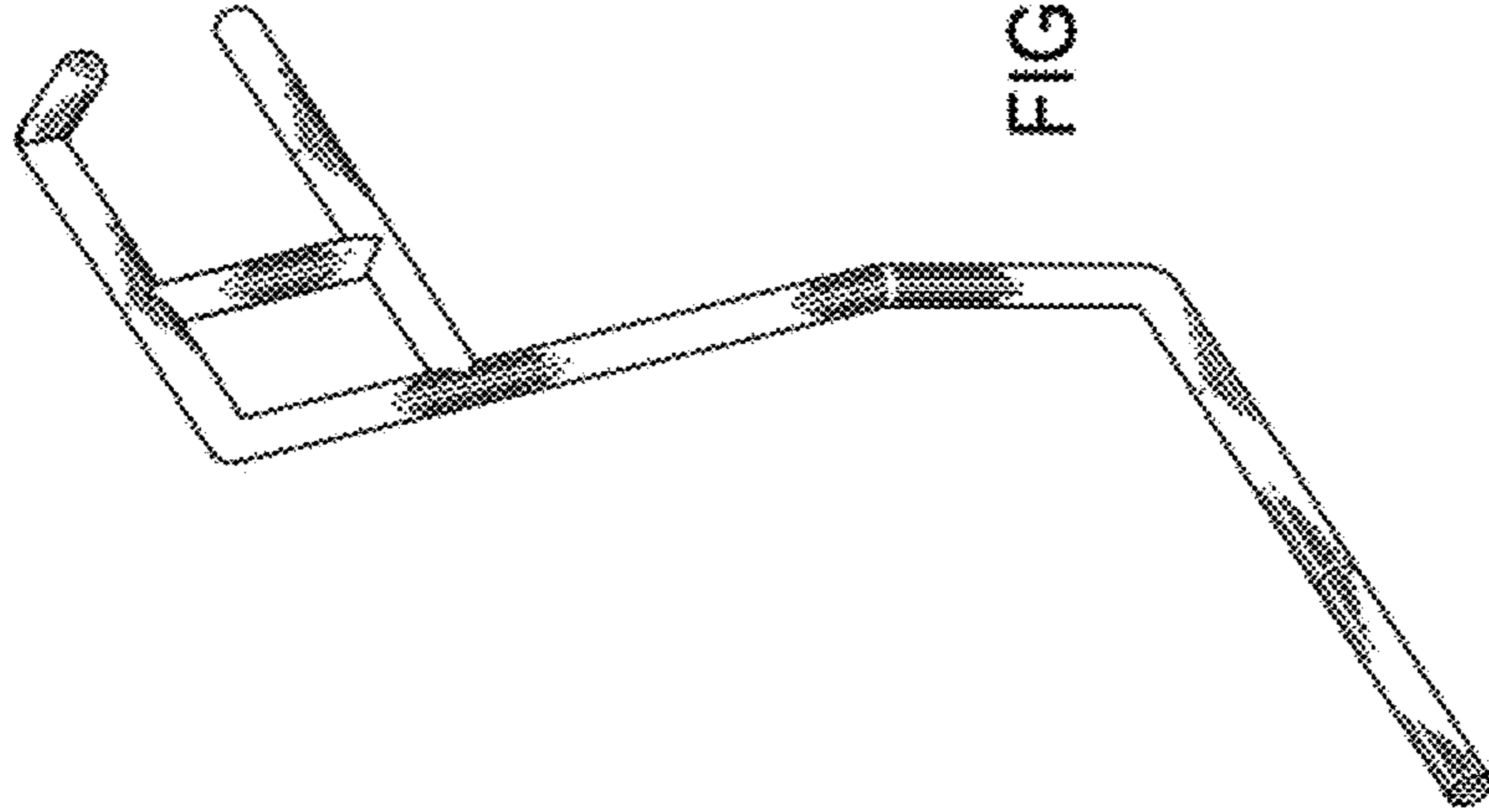


FIG. 10

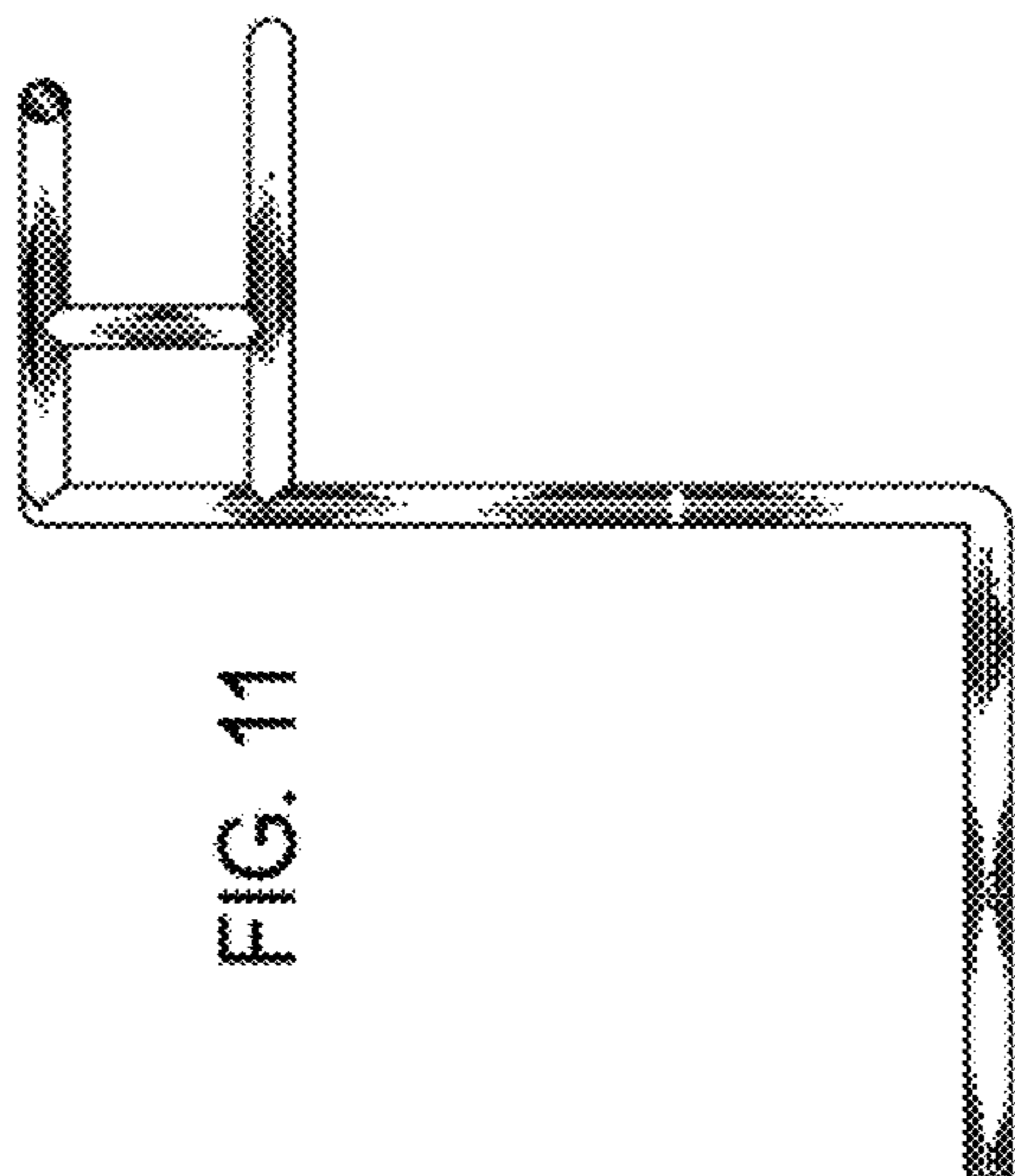


FIG. 11

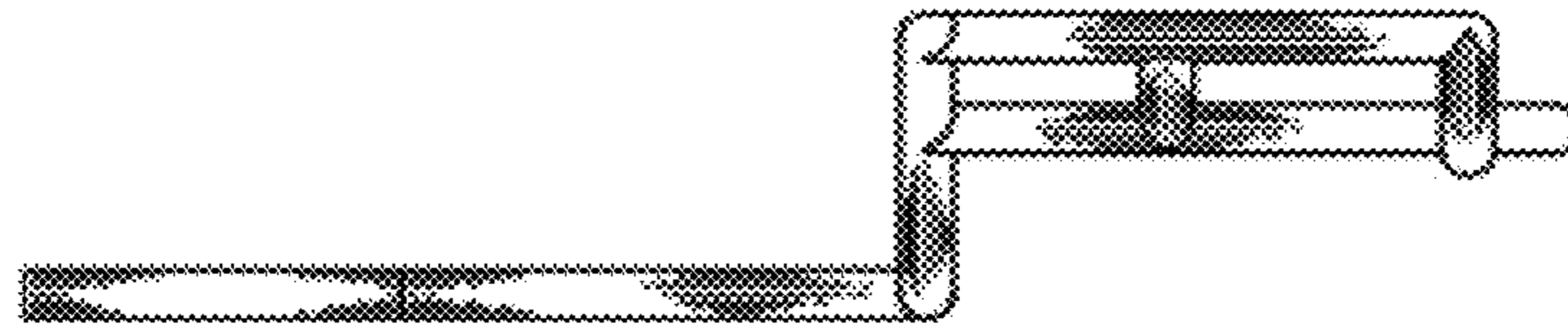


FIG. 13

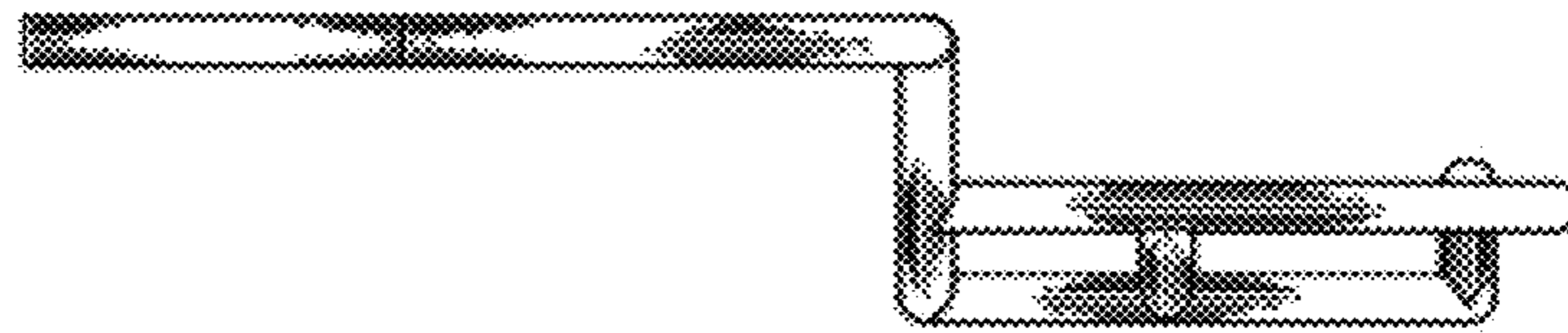


FIG. 14

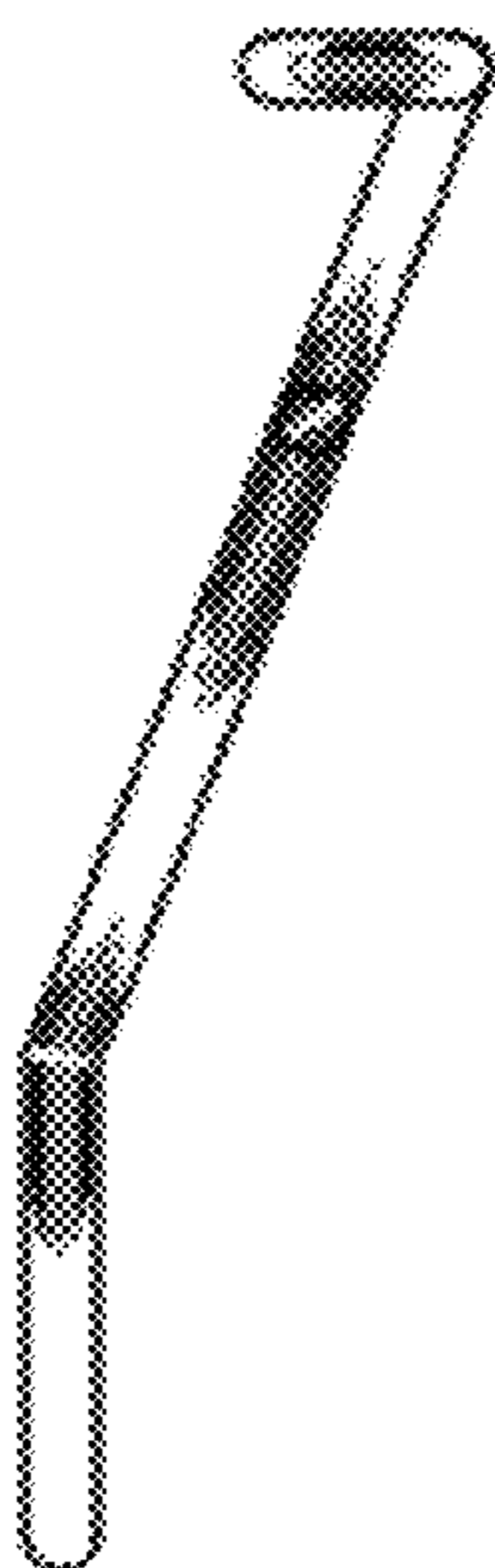


FIG. 15

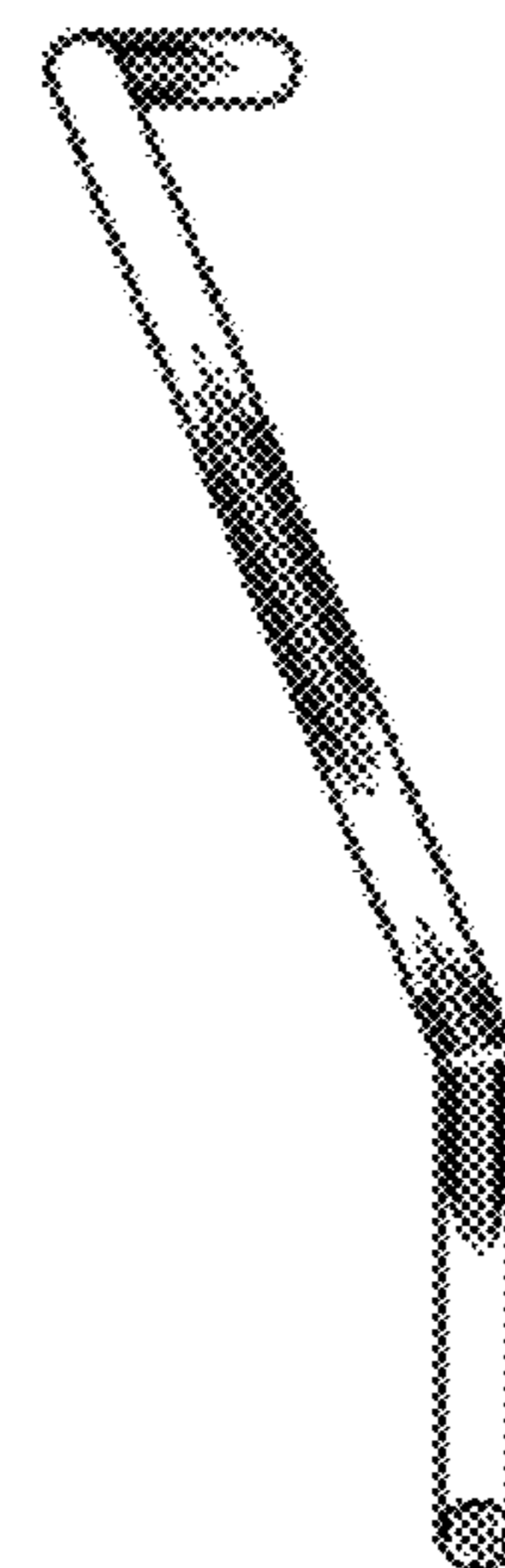


FIG. 16

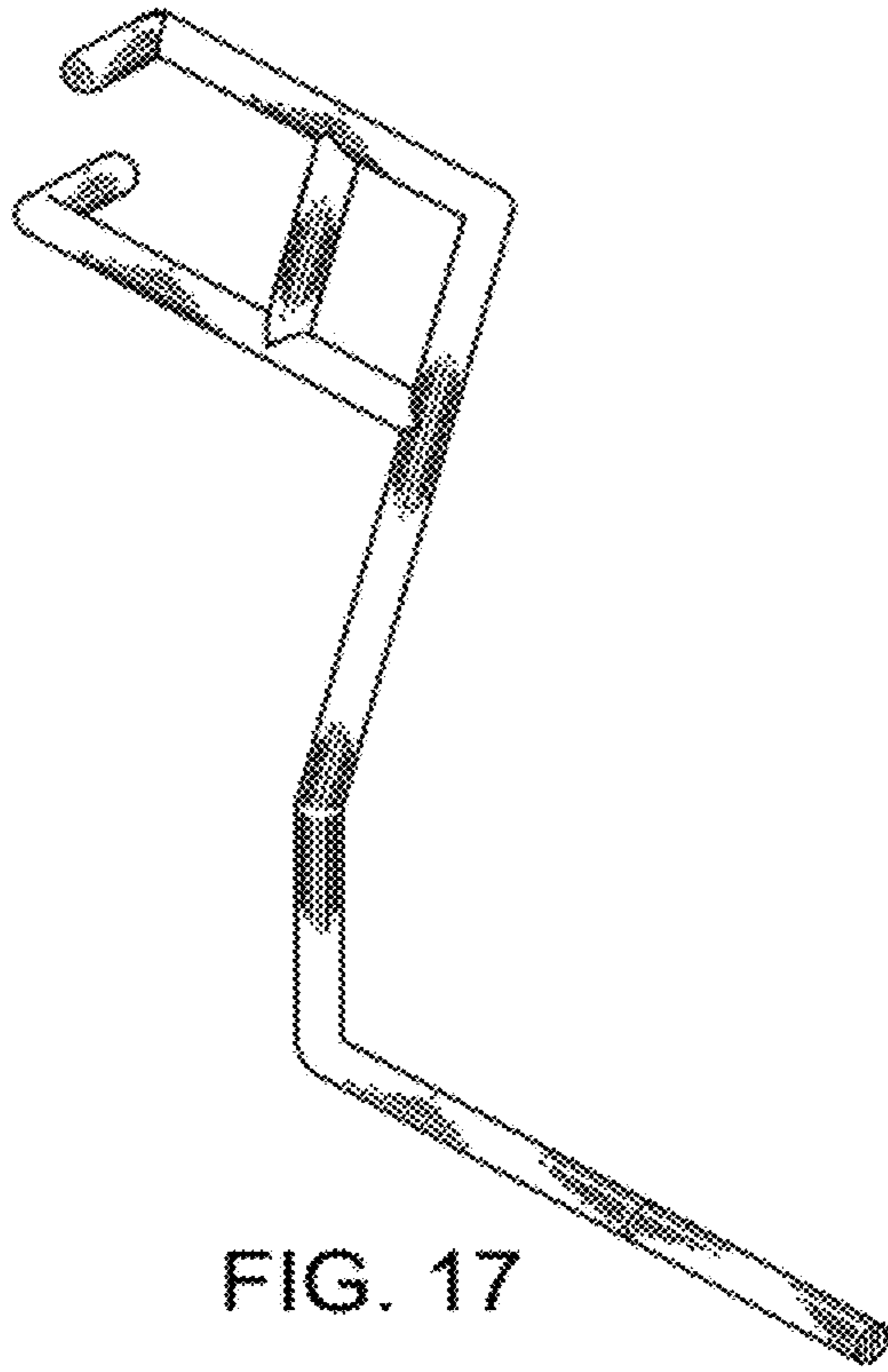


FIG. 17

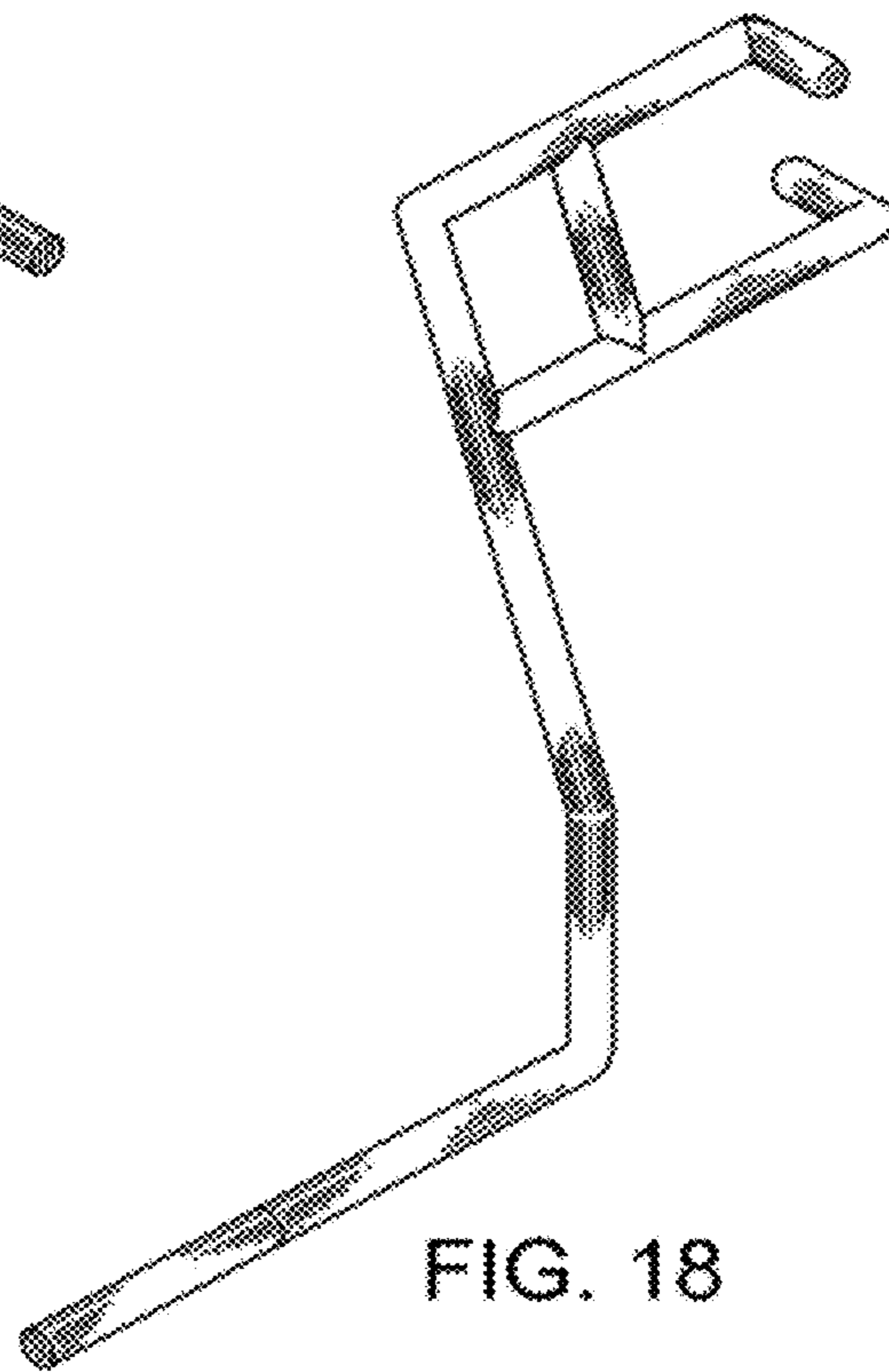


FIG. 18