



US00D676513S

(12) **United States Design Patent**
Putland

(10) **Patent No.:** **US D676,513 S**

(45) **Date of Patent:** **** Feb. 19, 2013**

(54) **ALL TERRAIN BOARD**

(75) Inventor: **Randy Putland**, Imperial Beach, CA
(US)

(73) Assignee: **Spooner Inc.**, National City, CA (US)

(**) Term: **14 Years**

(21) Appl. No.: **29/425,001**

(22) Filed: **Jun. 19, 2012**

(51) **LOC (9) Cl.** **21-02**

(52) **U.S. Cl.** **D21/769**

(58) **Field of Classification Search** D21/769-770,
D21/801, 803, 809; 114/253, 345-346; 441/35,
441/66, 74, 40-42, 129-132; 472/128-129;
D12/5, 6, 316

See application file for complete search history.

(56) **References Cited**

U.S. PATENT DOCUMENTS

| | | | | |
|-----------|------|---------|--------------------|-----------------|
| 5,135,249 | A | 8/1992 | Morris | |
| 5,702,333 | A | 12/1997 | Waldron et al. | |
| D417,250 | S | 11/1999 | Colin | |
| D485,881 | S * | 1/2004 | Adamczewski et al. | D21/766 |
| 6,923,455 | B2 * | 8/2005 | Sullivan | 280/14.27 |
| 7,204,496 | B2 * | 4/2007 | Rawcliffe | 280/14.21 |
| D570,436 | S * | 6/2008 | Scaturro et al. | D21/769 |

| | | | | |
|--------------|-----|---------|---------------|---------------|
| 7,695,407 | B2 | 4/2010 | Miller et al. | |
| D649,212 | S * | 11/2011 | Geiger | D21/760 |
| 2002/0121752 | A1 | 9/2002 | Gille et al. | |
| 2003/0060297 | A1 | 3/2003 | Cembalest | |

* cited by examiner

Primary Examiner — Zenia Bennett

(74) *Attorney, Agent, or Firm* — Greer, Burns & Crain, Ltd.

(57) **CLAIM**

The ornamental design for an all terrain board, as shown and described.

DESCRIPTION

FIG. 1 is a perspective view of an all terrain board showing my new design.

FIG. 2 is a top plan view of the all terrain board of FIG. 1.

FIG. 3 is a bottom plan view of the all terrain board of FIG. 1.

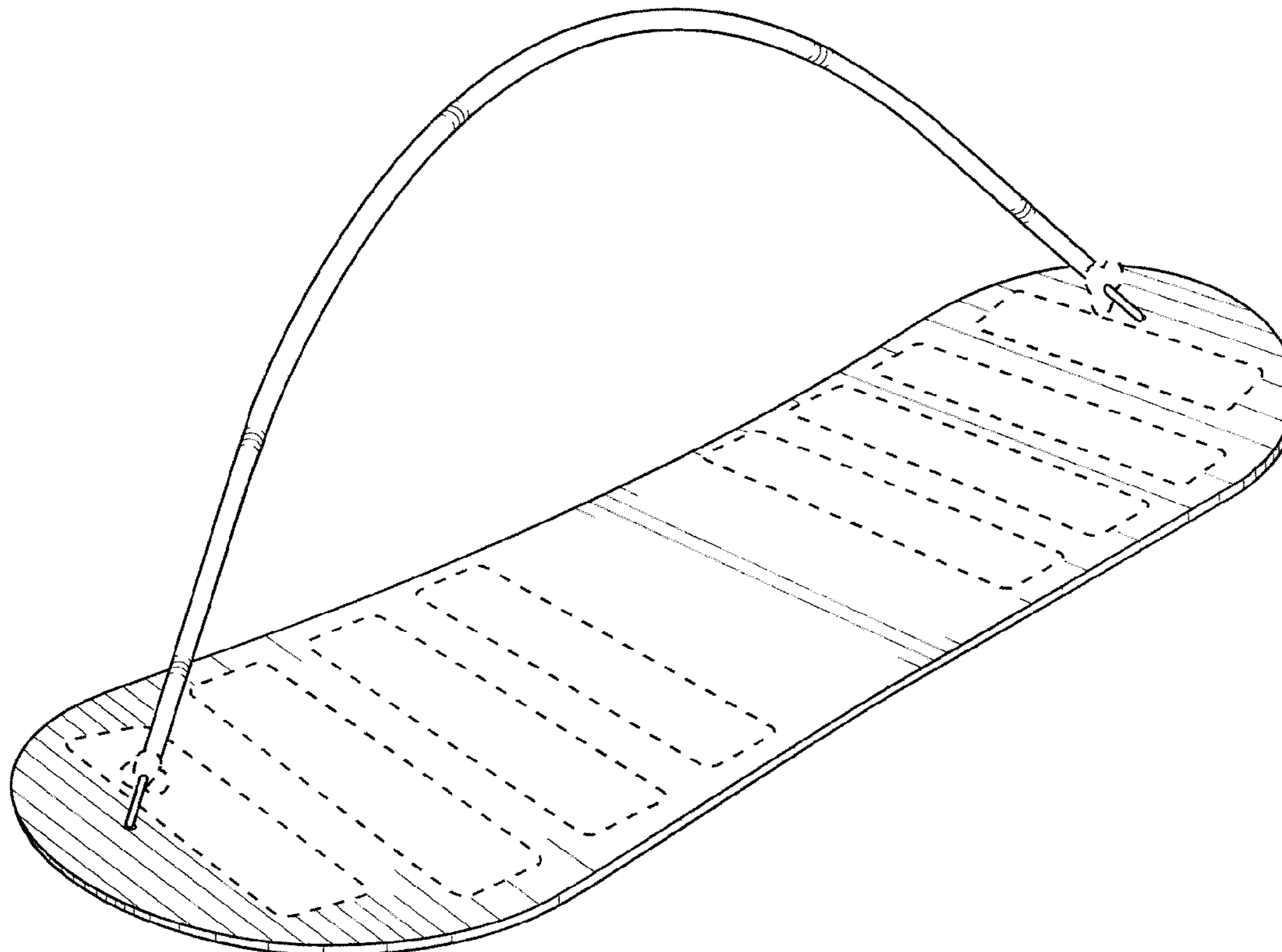
FIG. 4 is a side elevational view of the all terrain board of FIG. 1.

The other side elevational view is substantially the same; and,

FIG. 5 is an end elevational view of the all terrain board of FIG. 1. The other end elevational view is substantially the same.

The dashed lines appearing in FIGS. 1, 2, 4 and 5 illustrate unclaimed features shown for environmental purposes, which do not form a part of the claimed design.

1 Claim, 3 Drawing Sheets



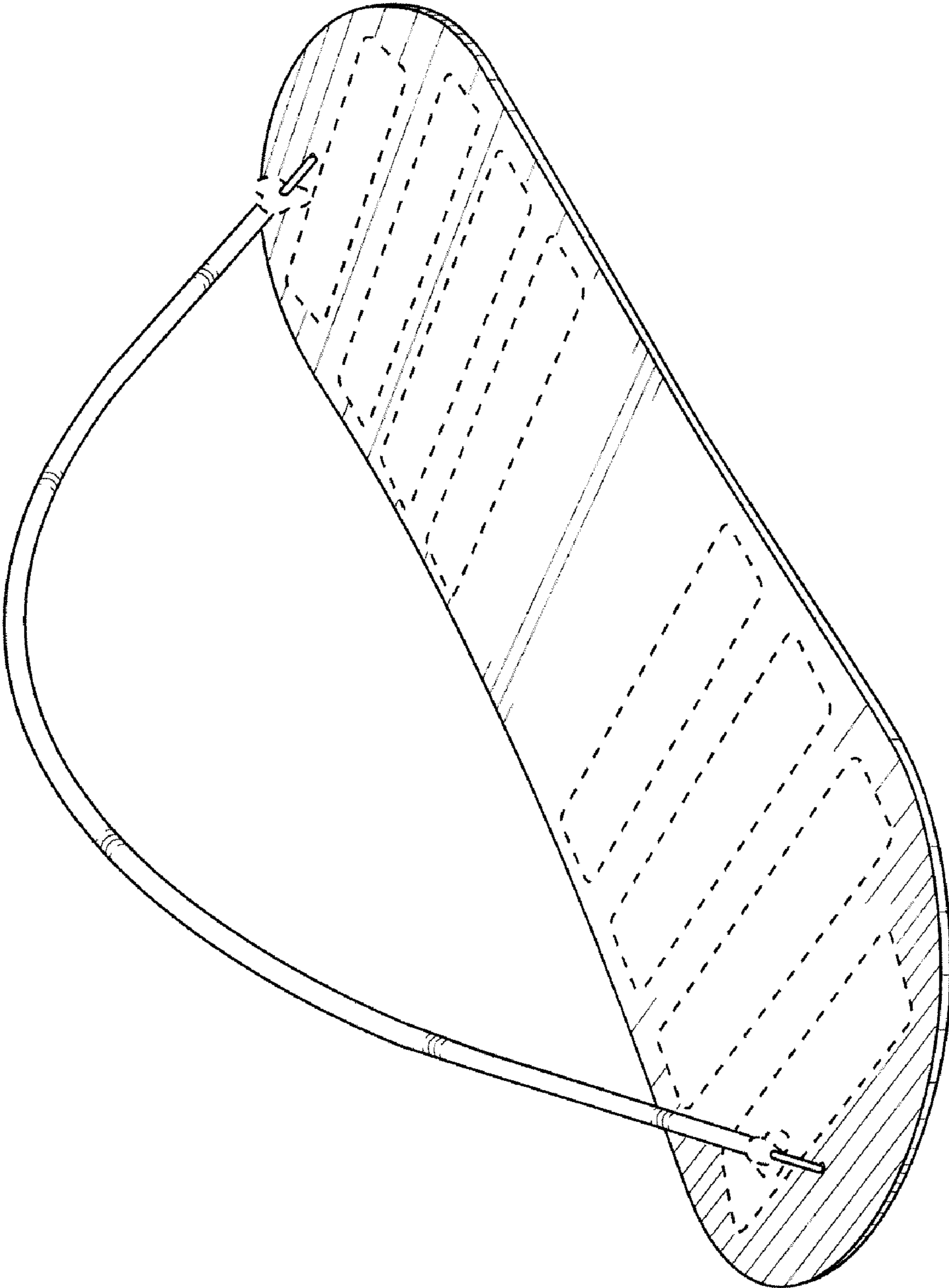


FIG. 1

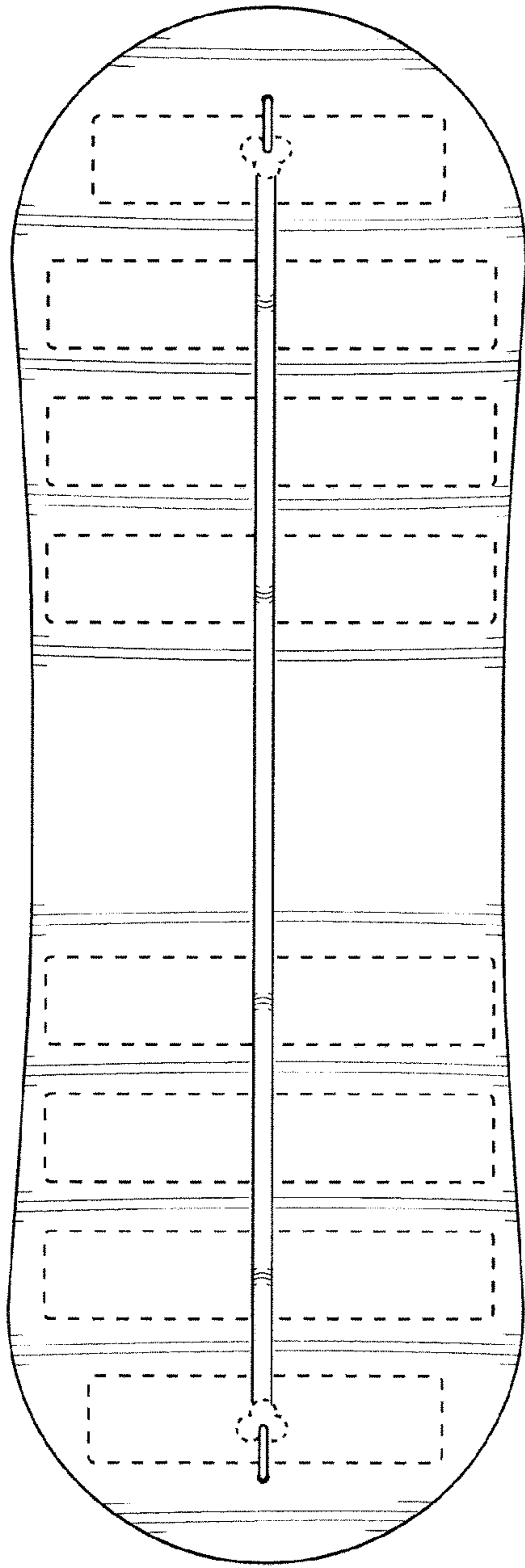


FIG. 2

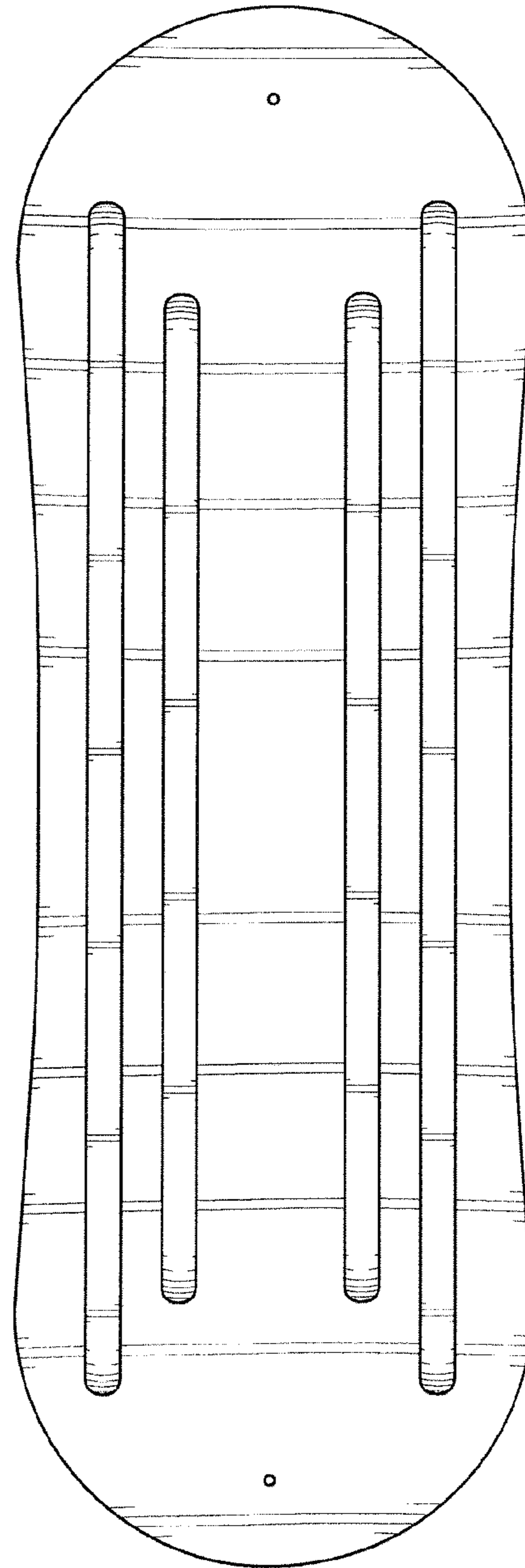


FIG. 3

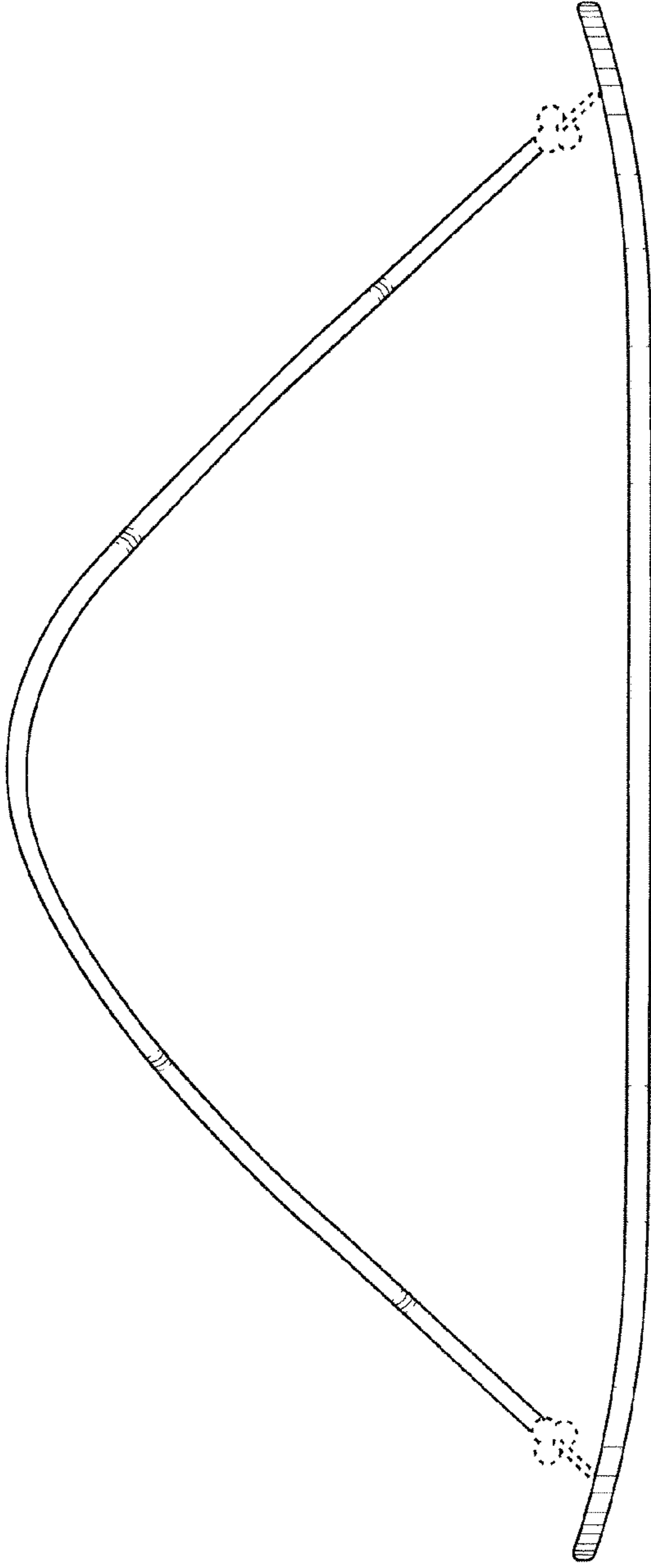


FIG. 4

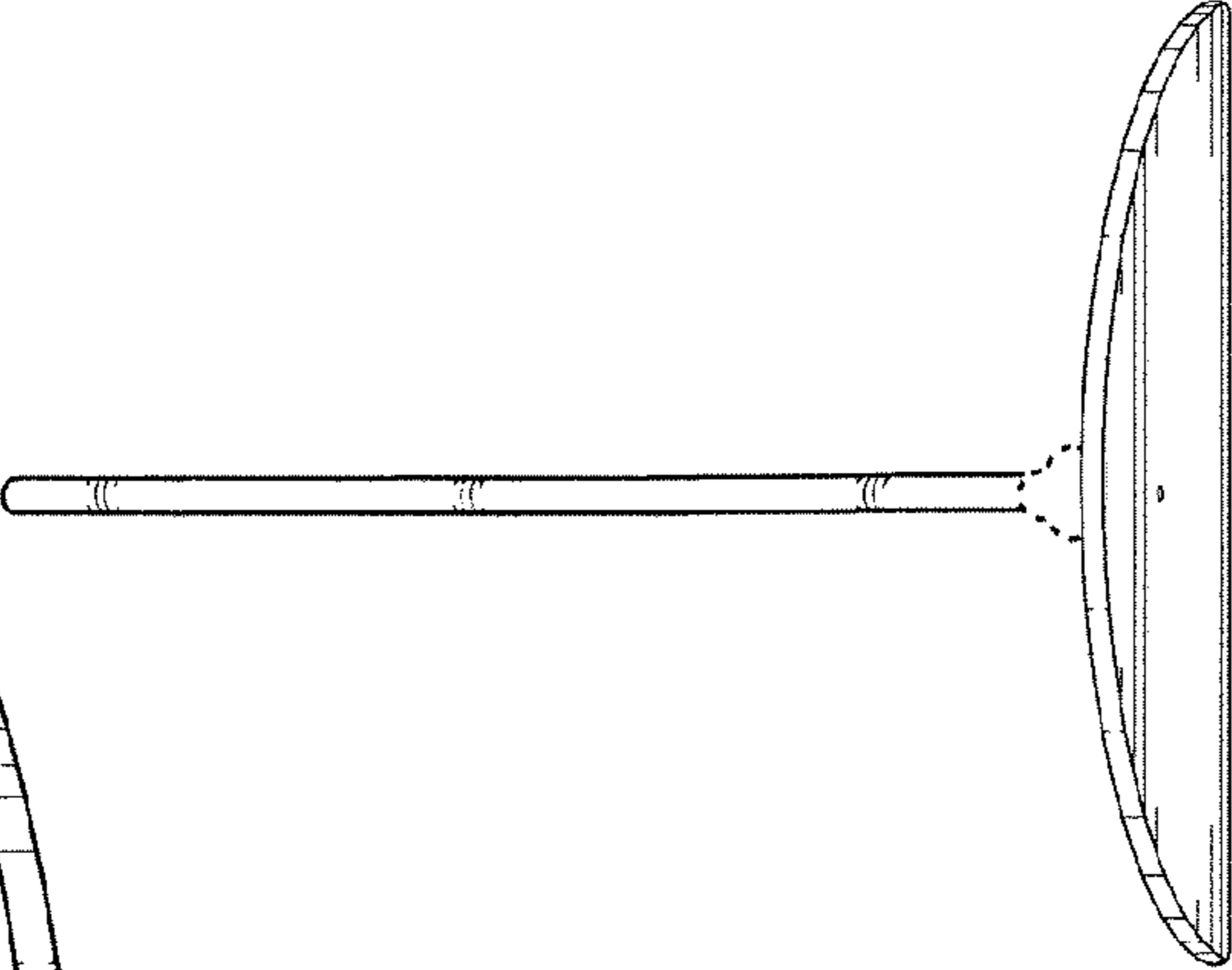


FIG. 5