



US00D676508S

(12) **United States Design Patent**
Wu

(10) **Patent No.:** **US D676,508 S**

(45) **Date of Patent:** **** Feb. 19, 2013**

(54) **EXERCISE BIKE**

(76) Inventor: **Mu-Chuan Wu**, Tainan (TW)

(**) Term: **14 Years**

(21) Appl. No.: **29/420,801**

(22) Filed: **May 14, 2012**

(51) **LOC (9) Cl.** **21-02**

(52) **U.S. Cl.** **D21/667**

(58) **Field of Classification Search** D21/662-667,
D21/694, 697; 482/5, 6, 57-63, 903; 280/274,
280/275, 277, 281.1, 283, 288.2, 288.3; D12/111
See application file for complete search history.

(56) **References Cited**

U.S. PATENT DOCUMENTS

D460,794 S *	7/2002	Baker	D21/667
6,905,445 B1 *	6/2005	Lin	482/57
7,081,070 B1 *	7/2006	Washington et al.	482/57
D532,063 S *	11/2006	Kim et al.	D21/697
D571,417 S *	6/2008	Su	D21/667
D575,838 S *	8/2008	Goldberg	D21/697
D624,612 S *	9/2010	Watt	D21/667
D636,449 S *	4/2011	Wu	D21/667
D649,204 S *	11/2011	Zhang	D21/667

2002/0151414 A1 *	10/2002	Baker	482/57
2010/0009815 A1 *	1/2010	Chen et al.	482/63
2010/0179030 A1 *	7/2010	Liao Lai	482/63
2010/0234185 A1 *	9/2010	Watt et al.	482/8

* cited by examiner

Primary Examiner — Susan E Krakower

(74) *Attorney, Agent, or Firm* — Alan Kamrath; Kamrath IP Lawfirm, P.A.

(57) **CLAIM**

The ornamental design for an exercise bike, as shown and described.

DESCRIPTION

FIG. 1 is a perspective view of an exercise bike, showing my new design;

FIG. 2 is a front view thereof;

FIG. 3 is a rear view thereof;

FIG. 4 is a left view thereof;

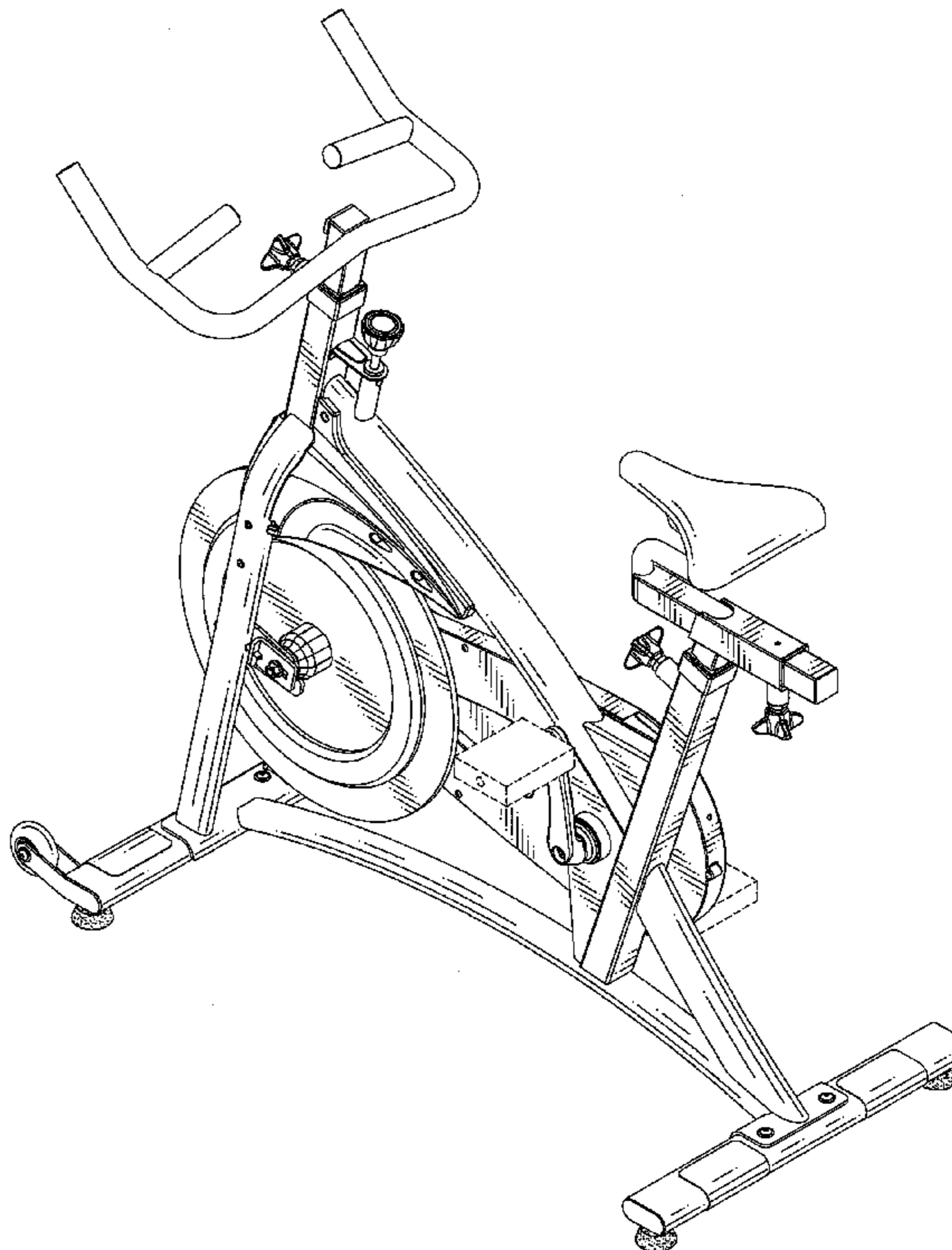
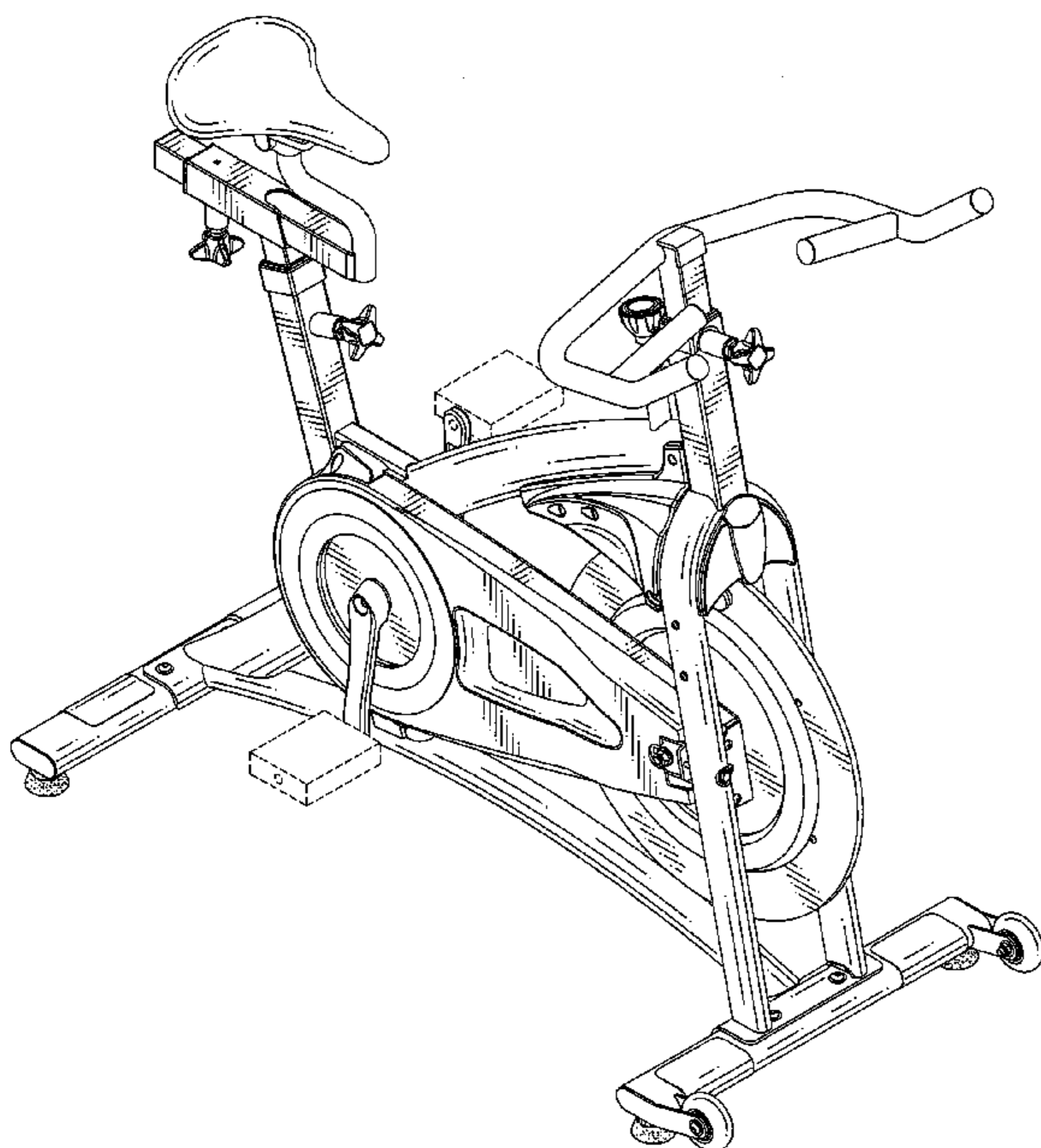
FIG. 5 is a right view thereof;

FIG. 6 is a top view thereof; and,

FIG. 7 is another perspective view thereof.

The broken lines illustrate portions of the exercise bike which form no part of the claimed design.

1 Claim, 7 Drawing Sheets



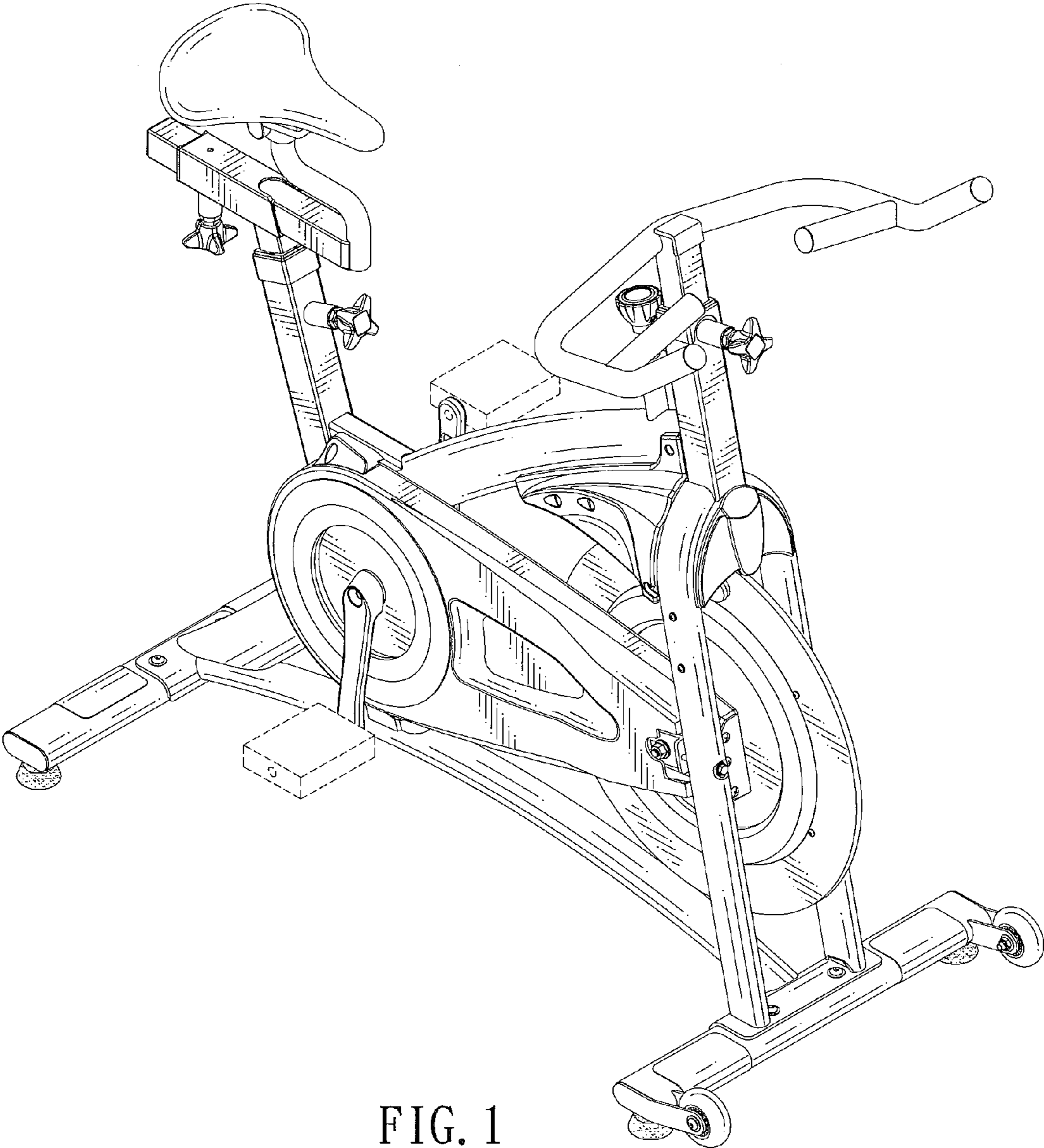


FIG. 1

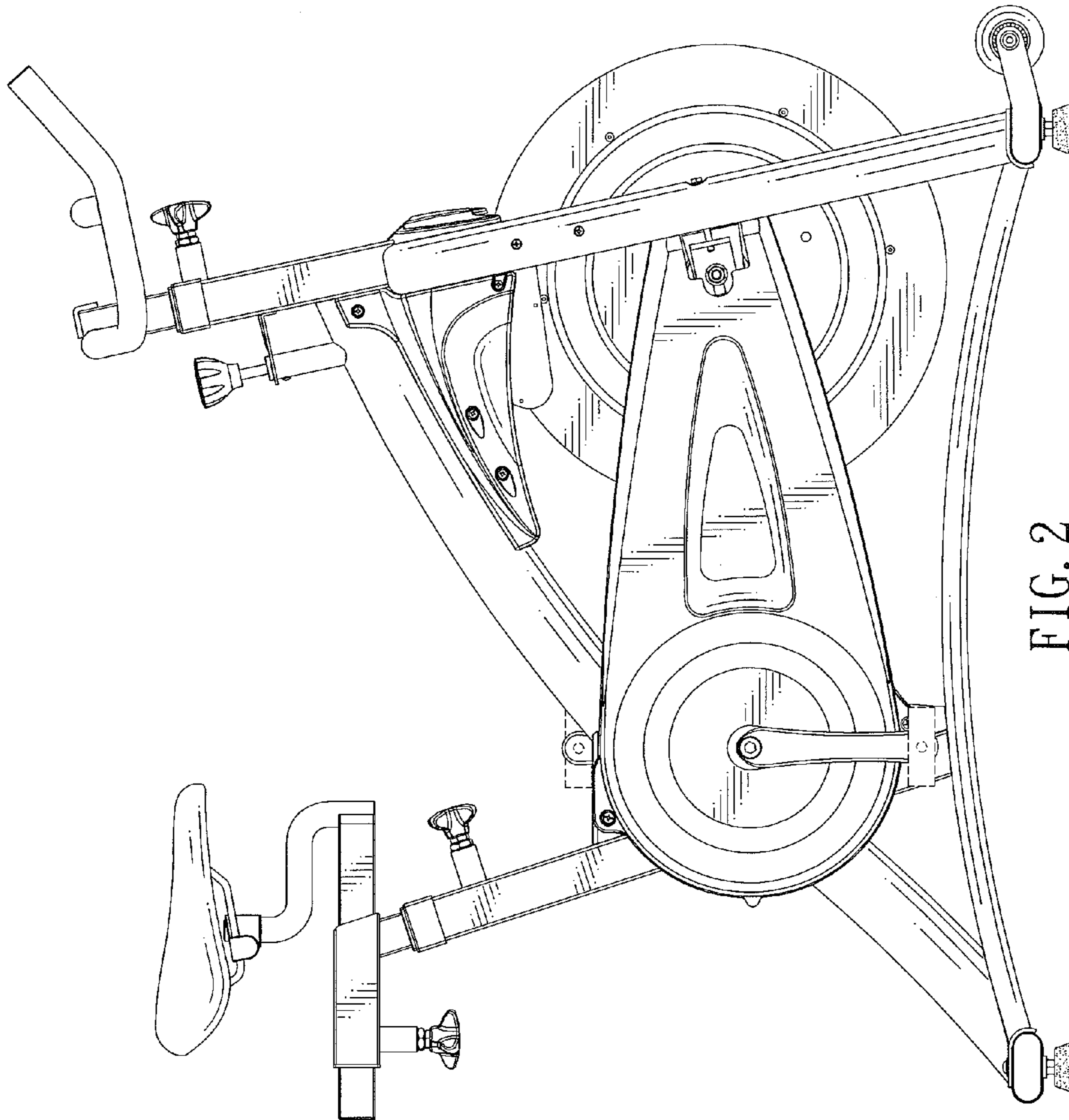


FIG. 2

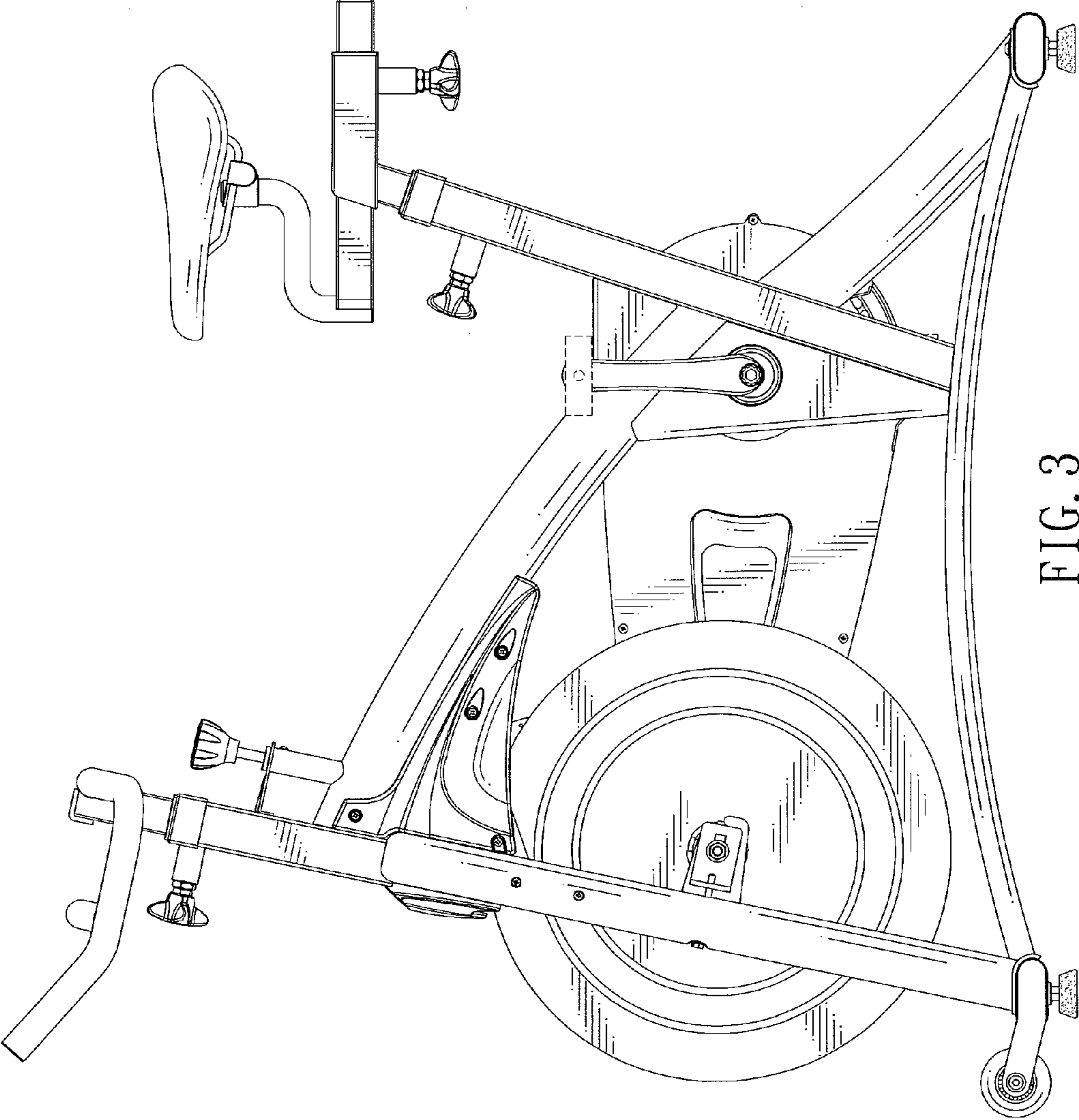


FIG. 3

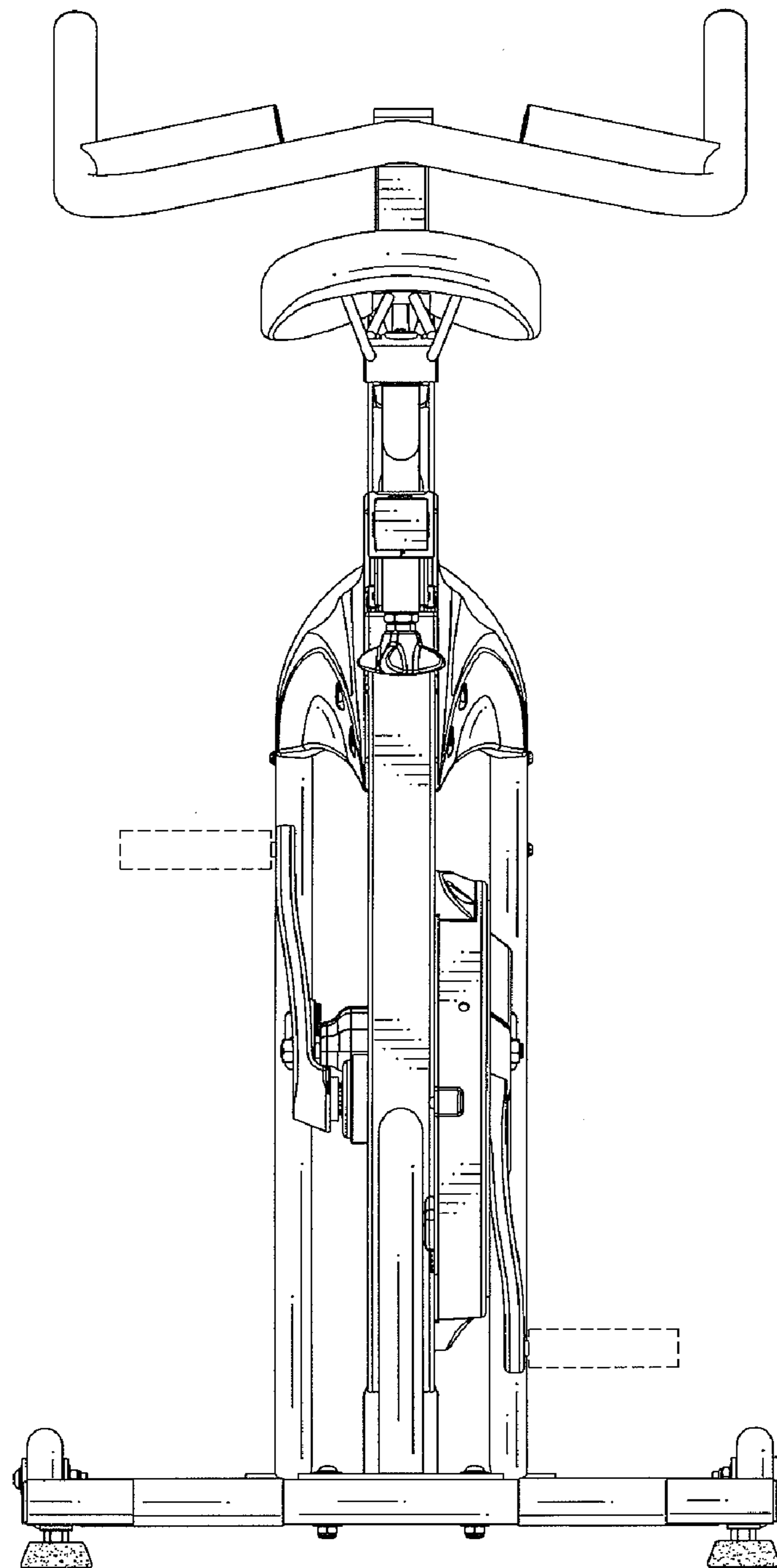


FIG. 4

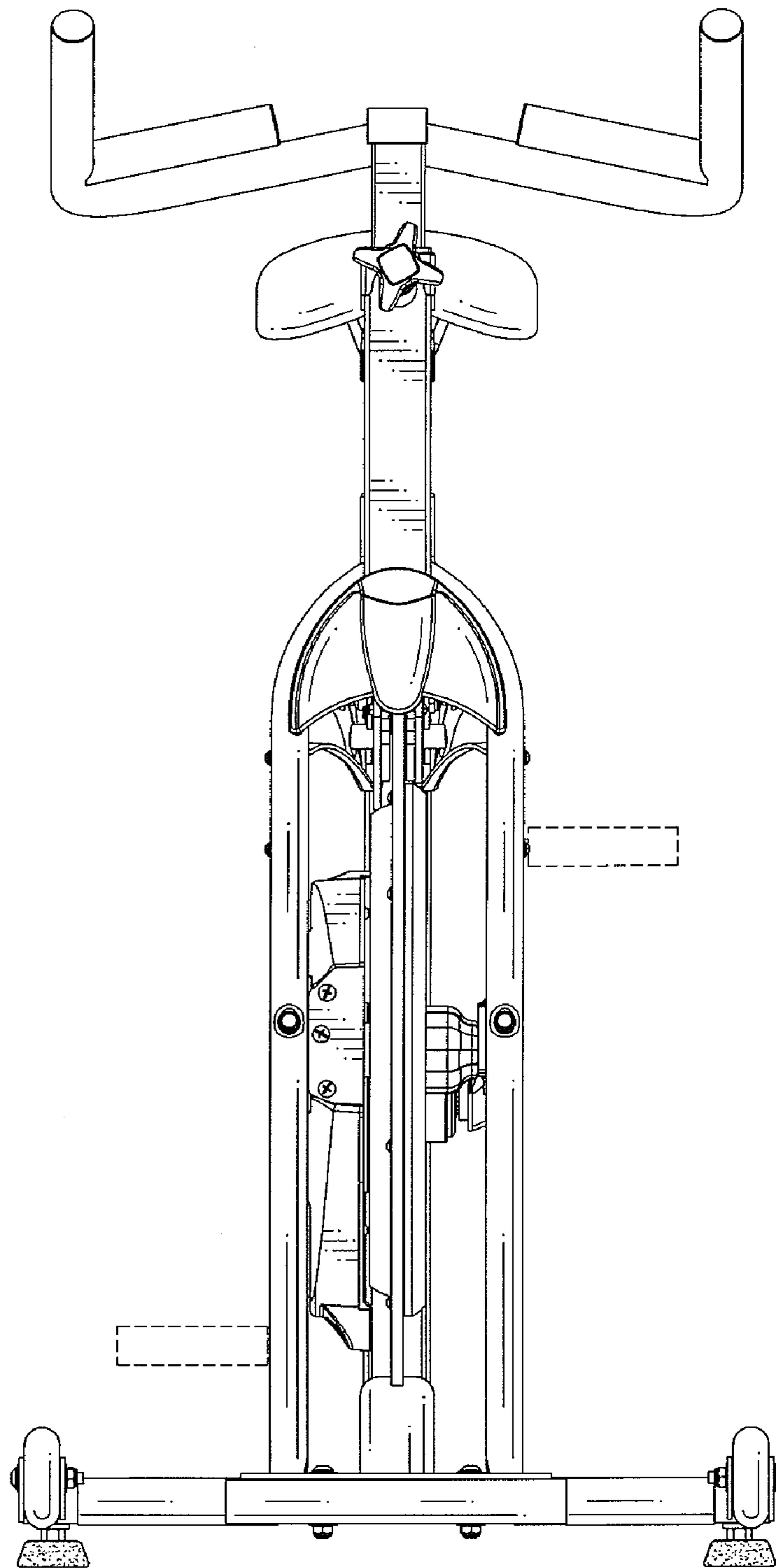


FIG. 5

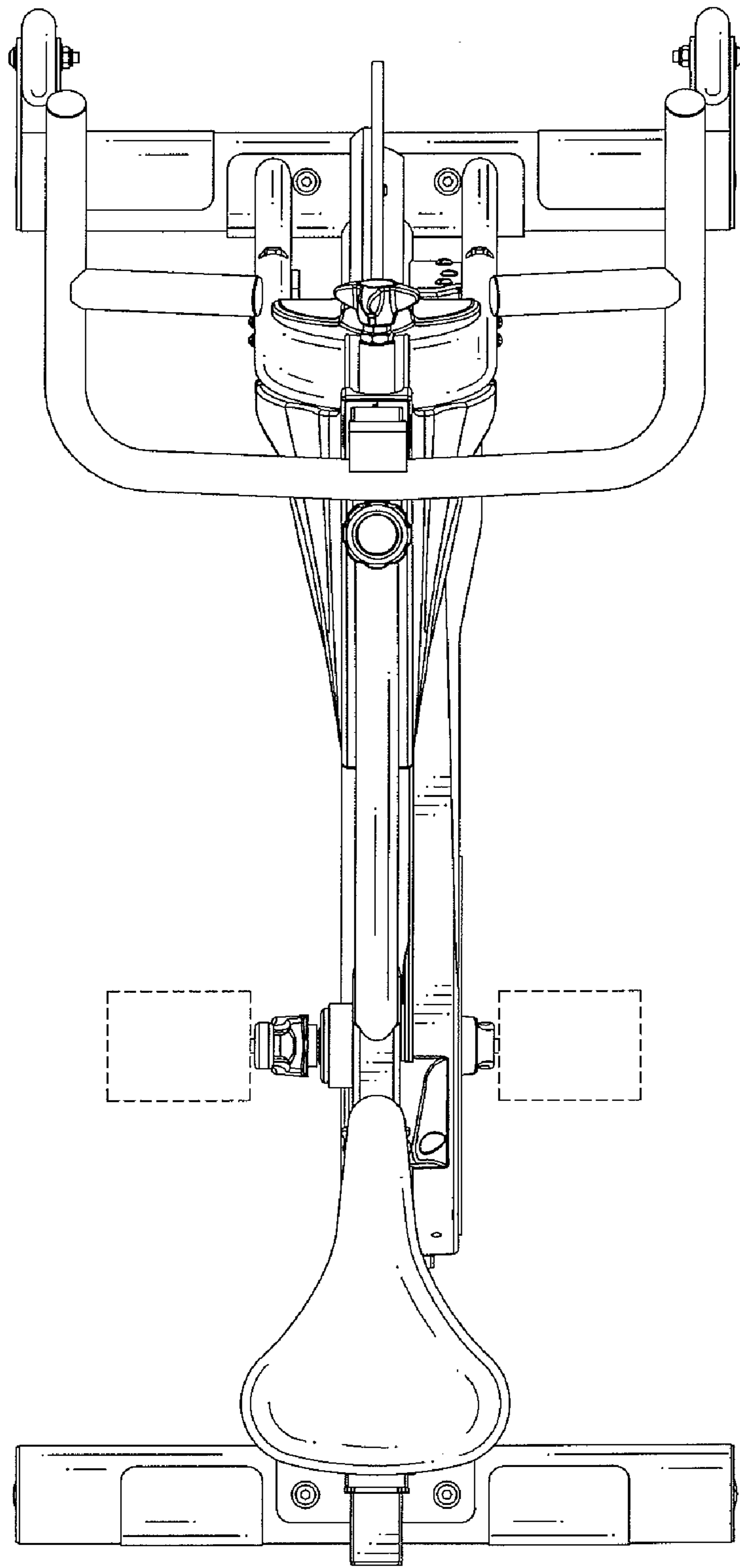


FIG. 6

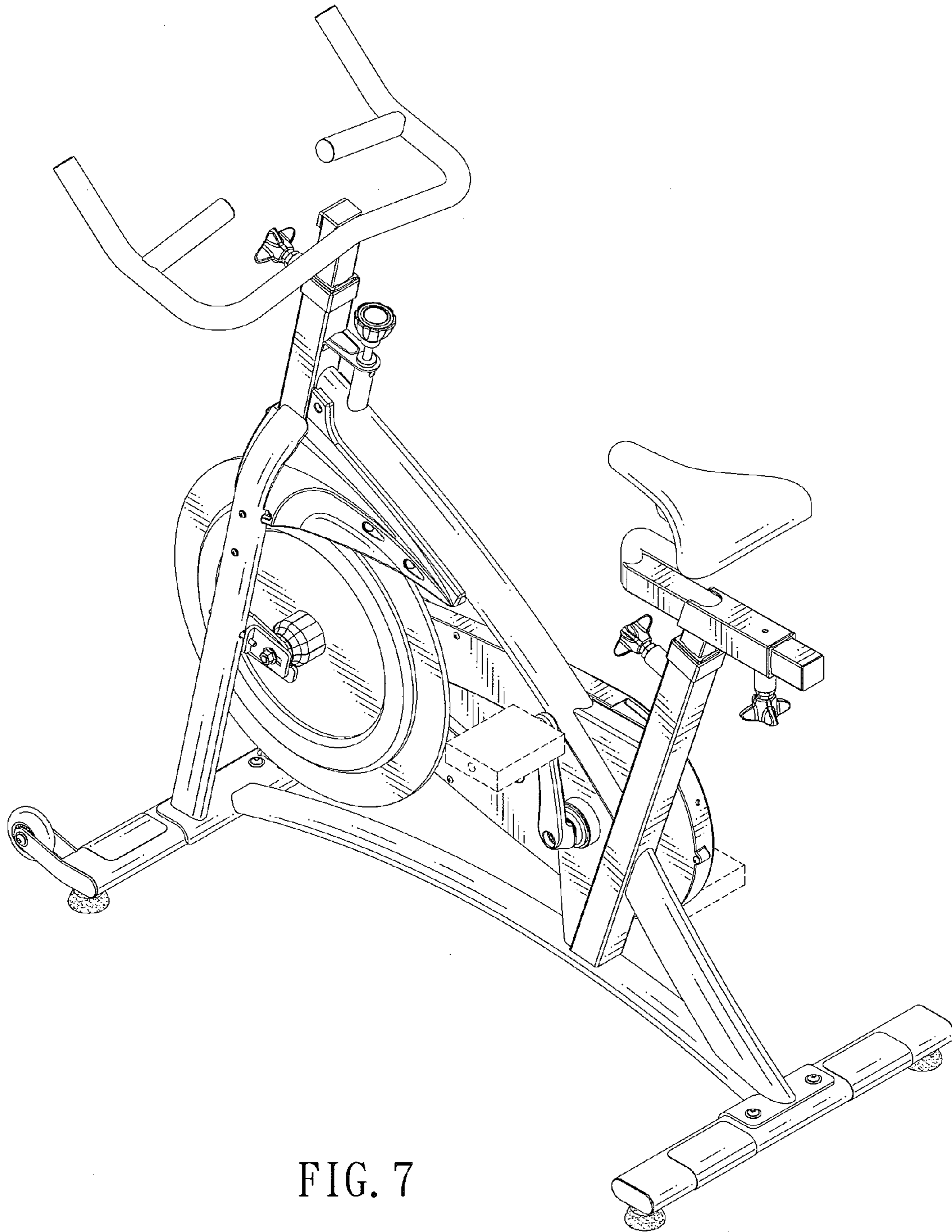


FIG. 7