



US00D676506S

(12) **United States Design Patent**  
**Mimlitch, III et al.**

(10) **Patent No.:** **US D676,506 S**  
(45) **Date of Patent:** **\*\* Feb. 19, 2013**

(54) **ROBOTIC TOY HAVING A TRIANGULAR TOP**

D291,711 S 9/1987 Dixon  
(Continued)

(75) Inventors: **Robert H. Mimlitch, III**, Rowlett, TX (US); **David A. Norman**, Greenville, TX (US); **Douglas Galletti**, Allen, TX (US); **Gregory Lavender**, Rockwall, TX (US); **Brian Richard Delaney**, Rockwall, TX (US); **Raul Olivera**, Greenville, TX (US)

FOREIGN PATENT DOCUMENTS

DE 1120958 10/1957  
FR 1564711 3/1969  
(Continued)

(73) Assignee: **Innovation First, Inc.**, Greenville, TX (US)

Taiwanese IP Office Preliminary Examination Report—translated by Taiwan Agent, Mailed Nov. 16, 2013.

(\*\*) Term: **14 Years**

(Continued)

(21) Appl. No.: **29/410,616**

*Primary Examiner* — Sandra Morris

(22) Filed: **Jan. 10, 2012**

(74) *Attorney, Agent, or Firm* — Adam K. Sacharoff

(51) **LOC (9) Cl.** ..... **21-01**

(52) **U.S. Cl.** ..... **D21/578**

(58) **Field of Classification Search** ..... D6/598;  
D11/158; D21/576–578, 585–588, 623,  
D21/630, 620, 658–661; D30/160; 446/3,  
446/72, 97–98, 268–269, 351, 484  
See application file for complete search history.

(57) **CLAIM**

The ornamental design for a robotic toy having a triangular top, as shown and described.

**DESCRIPTION**

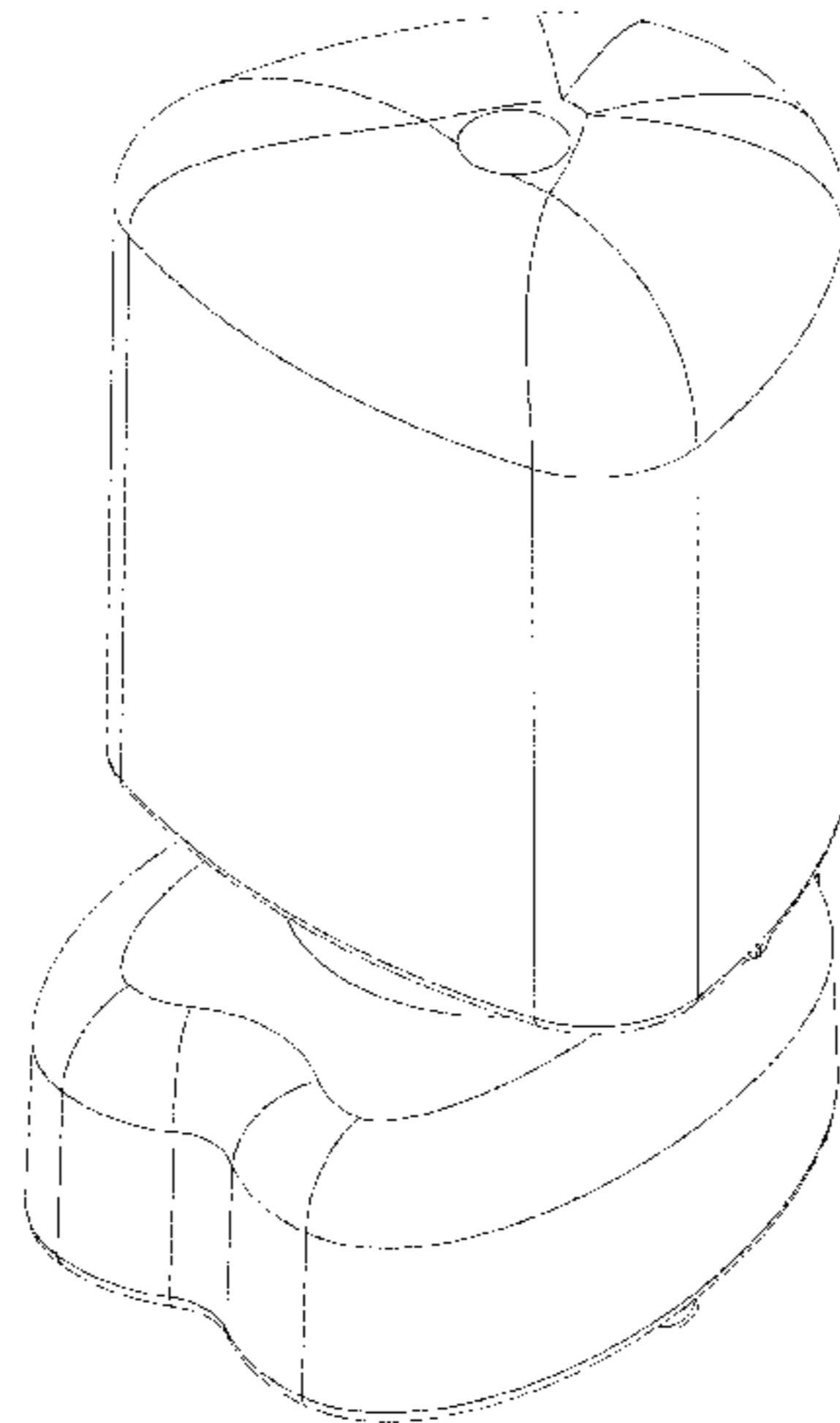
FIG. 1 is a top perspective view showing a first embodiment of the robotic toy having a triangular top;  
FIG. 2 is a left side view of FIG. 1;  
FIG. 3 is a right side view of FIG. 1;  
FIG. 4 is a front side view of FIG. 1;  
FIG. 5 is a back side view of FIG. 1;  
FIG. 6 is a top side view of FIG. 1;  
FIG. 7 is a bottom side view of FIG. 1;  
FIG. 8 is a bottom back side perspective view of FIG. 1;  
FIG. 9 is a top perspective view showing a second embodiment of the robotic toy having a triangular top;  
FIG. 10 is a left side view of FIG. 9;  
FIG. 11 is a right side view of FIG. 9;  
FIG. 12 is a front side view of FIG. 9;  
FIG. 13 is a back side view of FIG. 9;  
FIG. 14 is a top side view of FIG. 9;  
FIG. 15 is a bottom side view of FIGS. 9; and,  
FIG. 16 is a bottom back side perspective view of FIG. 9.

(56) **References Cited**

U.S. PATENT DOCUMENTS

1,763,788	A	6/1930	Jobe, Sr.
1,793,121	A	2/1931	Muller
2,167,985	A	8/1939	Levay
2,618,888	A	11/1952	Hoff
2,827,735	A	3/1959	Grimm
3,196,580	A	7/1965	Rakestraw
3,331,463	A	7/1967	Kramer
3,530,617	A	9/1970	Halvorson et al.
3,841,636	A	10/1974	Meyer
3,842,532	A	10/1974	Nielsen
3,959,920	A	6/1976	Ieda
4,163,558	A	8/1979	Breslow et al.
4,219,957	A	9/1980	Kakuta
4,291,490	A	9/1981	Ikeda
4,591,346	A	5/1986	Ikeda
D289,070	S	3/1987	Forbes et al.
D289,747	S	5/1987	Sethares et al.

**1 Claim, 16 Drawing Sheets**



# US D676,506 S

Page 2

## U.S. PATENT DOCUMENTS

4,708,690 A 11/1987 Kulesza et al.  
4,941,857 A 7/1990 Fujimaki  
5,088,949 A 2/1992 Atkinson et al.  
5,221,226 A 6/1993 Park  
D405,850 S 2/1999 Witkin  
5,993,286 A 11/1999 Tacquard et al.  
D421,932 S 3/2000 Hawkins et al.  
D427,256 S 6/2000 Teigiser  
6,238,264 B1 5/2001 Kazami et al.  
D456,467 S 4/2002 Corbett  
6,435,929 B1 8/2002 Halford  
6,599,048 B2 7/2003 Kuo  
6,652,352 B1 11/2003 MacArthur et al.  
6,681,150 B1 1/2004 Haga et al.  
6,826,449 B1 11/2004 Abu-Taha  
D501,898 S \* 2/2005 Rutherford et al. .... D21/623  
6,866,557 B2 3/2005 Randall  
6,899,589 B1 5/2005 Lund et al.  
6,964,309 B2 11/2005 Quinn et al.  
6,964,572 B2 11/2005 Cesa  
D516,950 S \* 3/2006 Thorsteinsson ..... D21/658  
D517,131 S 3/2006 Carruth  
7,040,951 B2 5/2006 Hornsby et al.  
7,204,455 B2 4/2007 Sinclair  
D555,213 S 11/2007 Bowen et al.  
D568,553 S \* 5/2008 Rutherford et al. .... D30/160  
D624,610 S \* 9/2010 Wu et al. .... D21/578  
7,803,031 B1 9/2010 Winckler et al.

D635,603 S 4/2011 Rodriguez  
7,927,170 B2 4/2011 Bickerton et al.  
D645,915 S \* 9/2011 Norman et al. .... D21/650  
2001/0054518 A1 12/2001 Buehler et al.  
2004/0198159 A1 10/2004 Xu et al.  
2005/0112992 A1 5/2005 Malcolm  
2007/0087654 A1 4/2007 Chernick et al.  
2009/0311941 A1 12/2009 Bickerton et al.

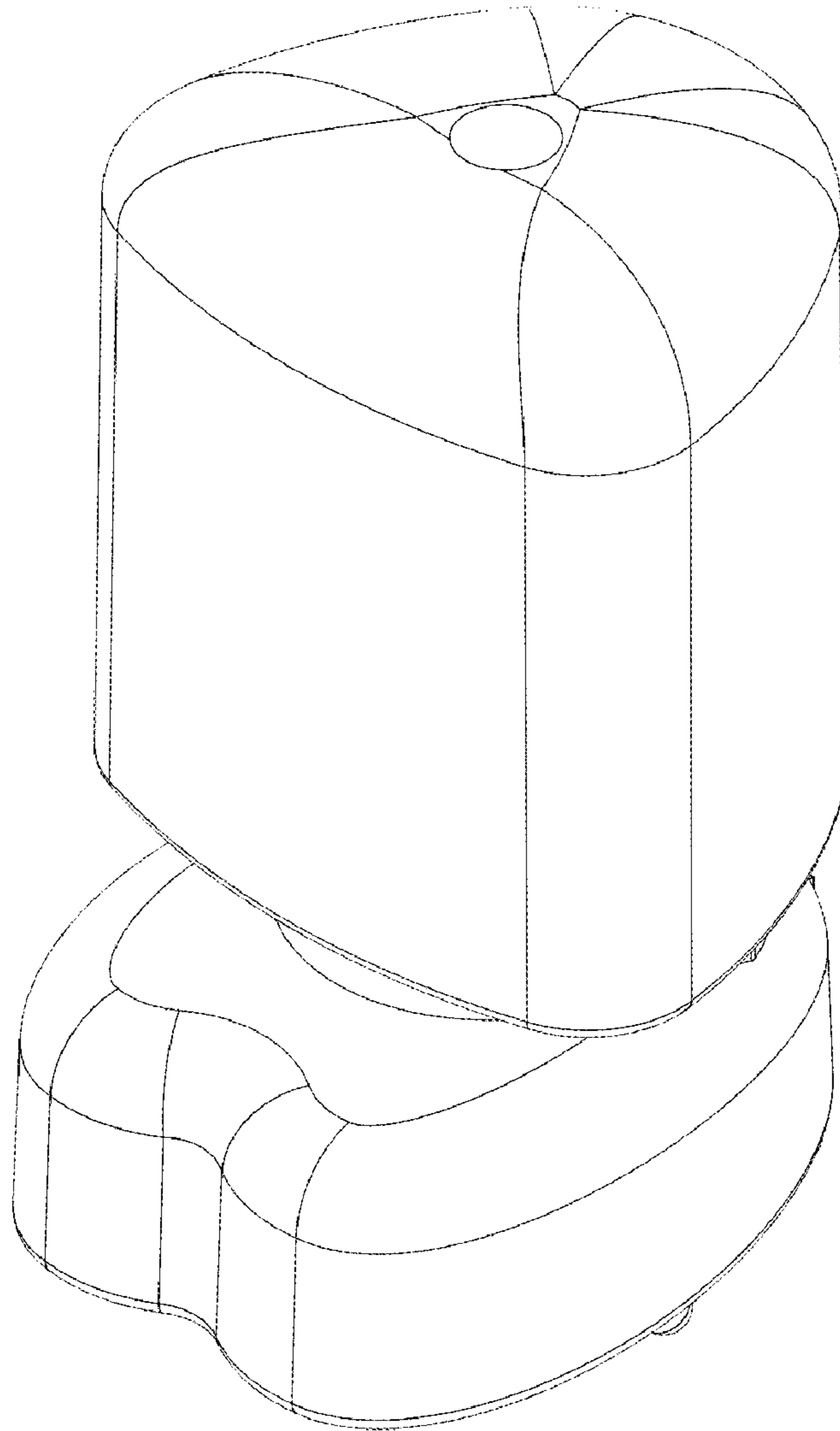
## FOREIGN PATENT DOCUMENTS

FR 2358174 2/1978  
GB 488042 6/1938  
GB 1180384 2/1970  
GB 1381326 1/1975  
JP H1-146570 6/1989  
JP 6343767 12/1994  
TW 088896 7/1987  
TW 201235 2/1993  
TW D138669 1/2011  
WO 2006136792 12/2006

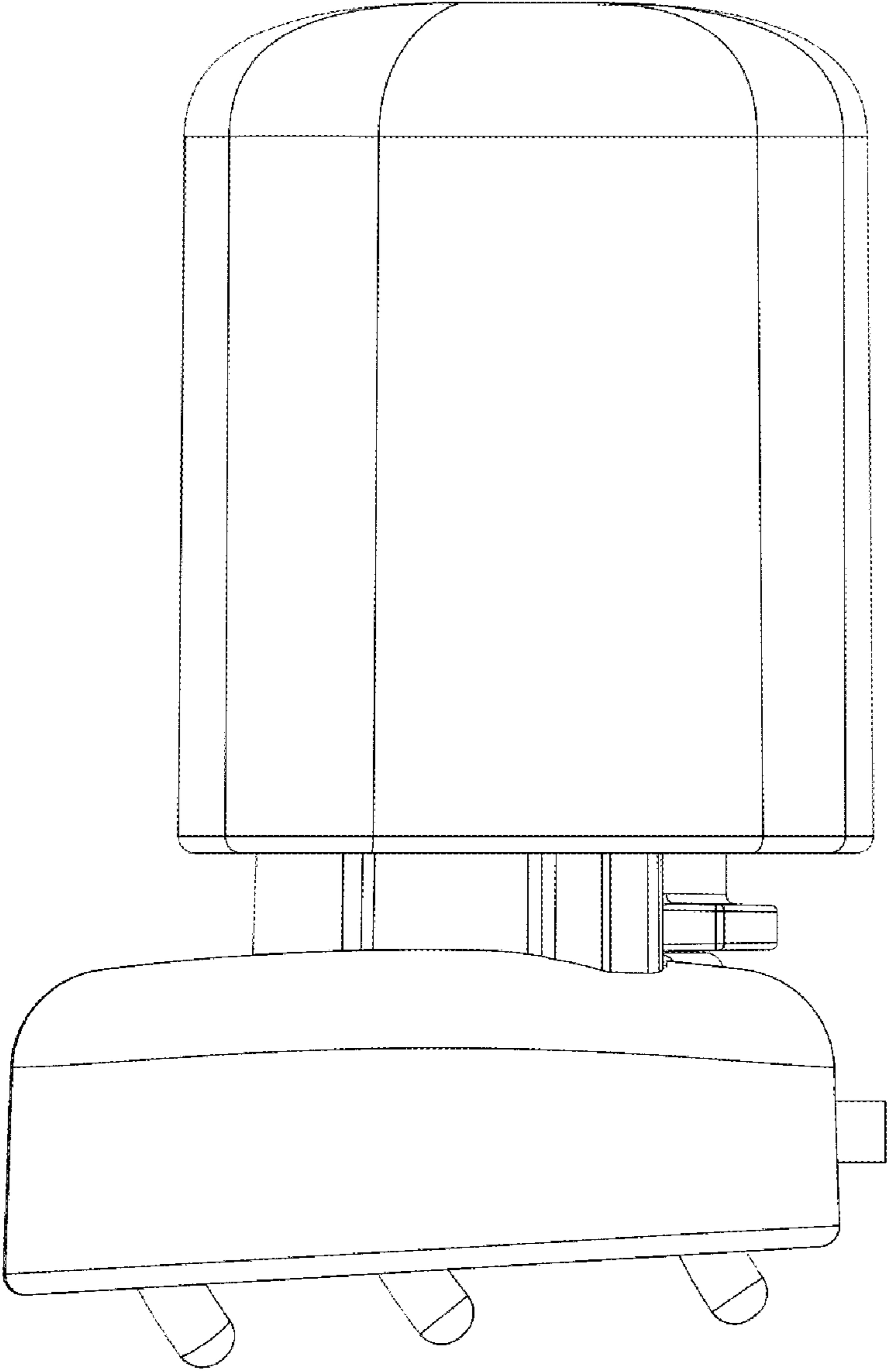
## OTHER PUBLICATIONS

Shantou GoldRosita Intelligent Electronic Toys Industrial Co., Lit.,  
Scoot Micro-Robotic Vehicles, pictures of product, product available  
over the Internet; manufactured in Guangdong, China.

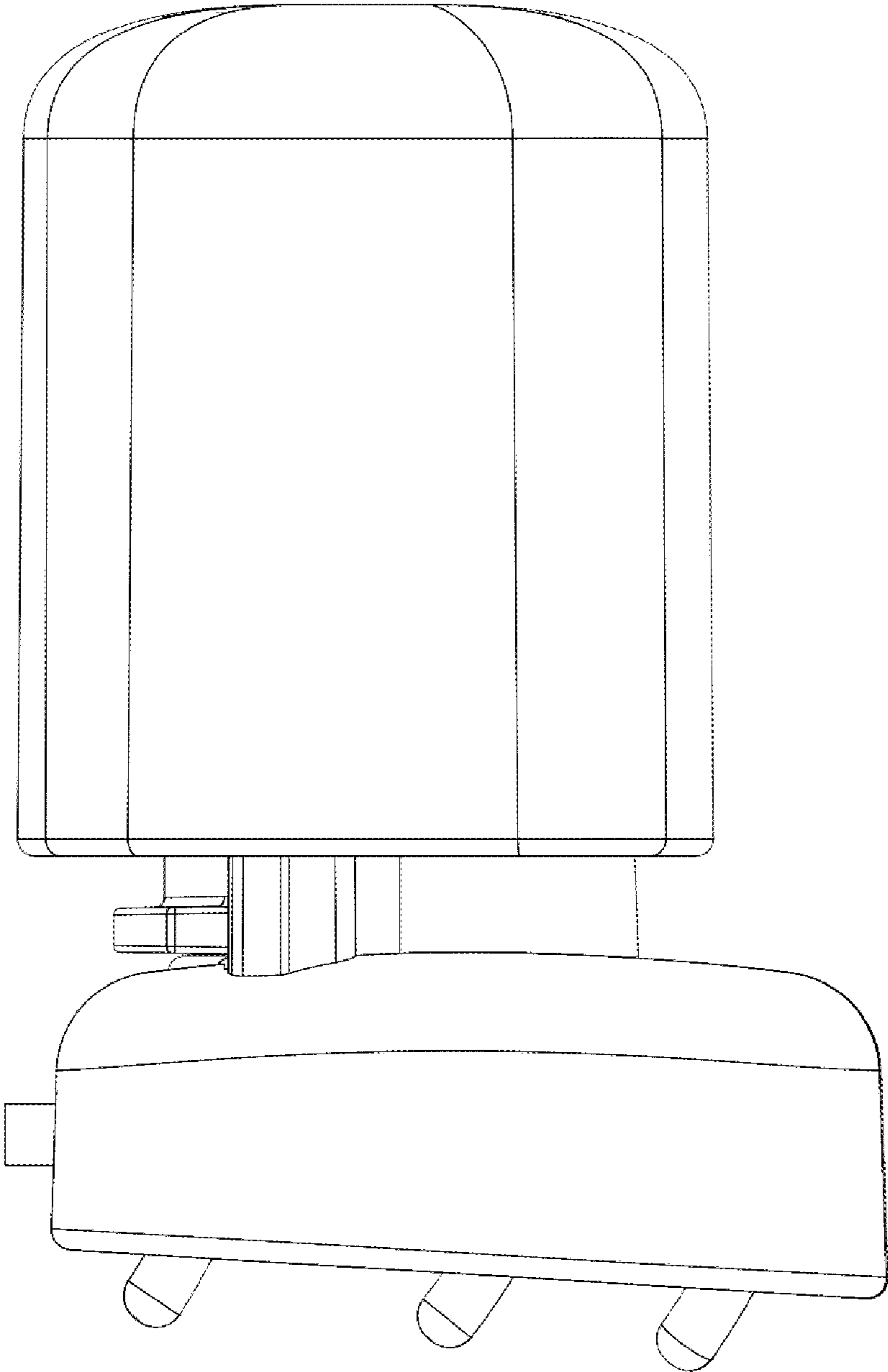
\* cited by examiner



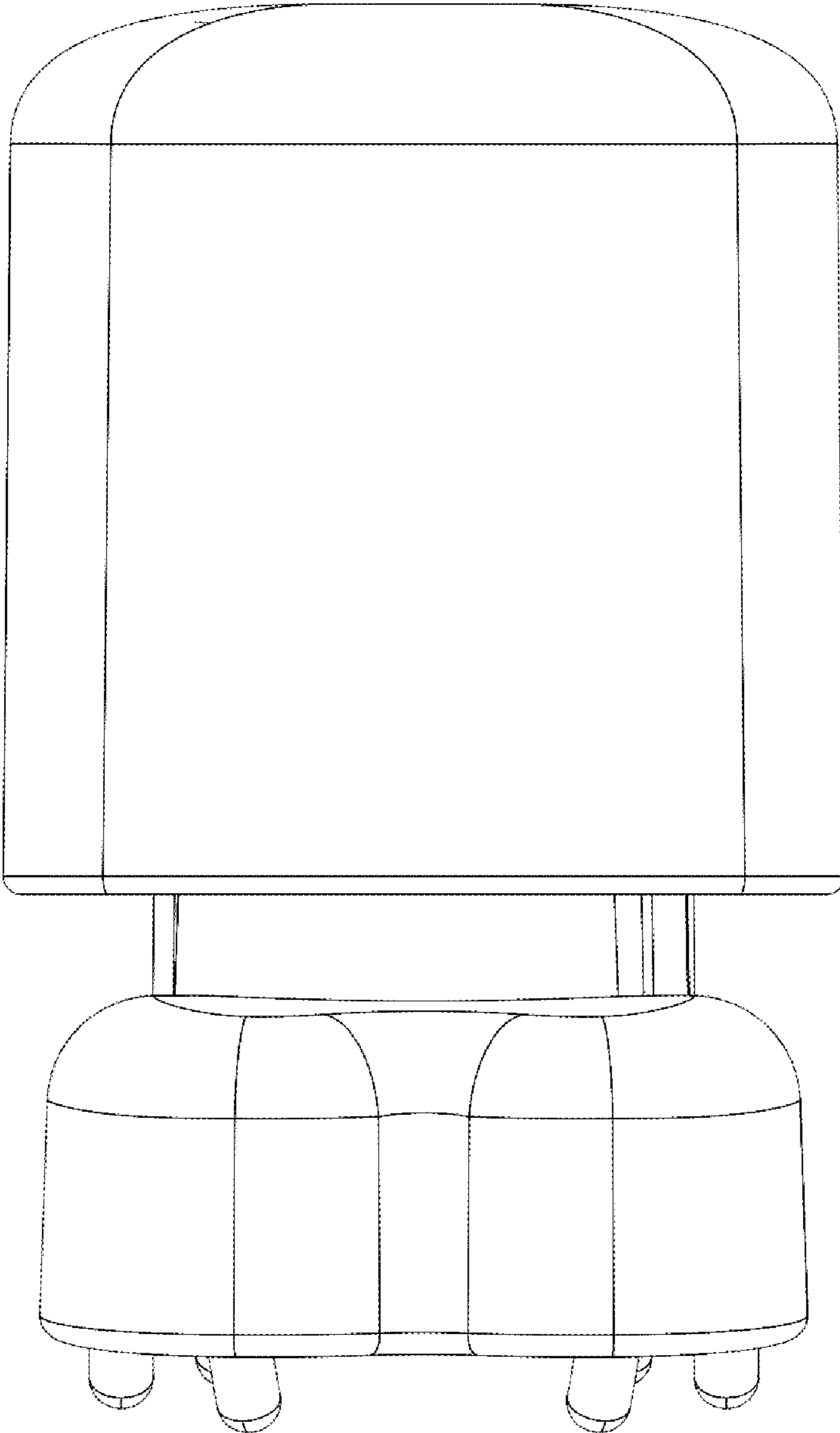
**FIGURE 1**



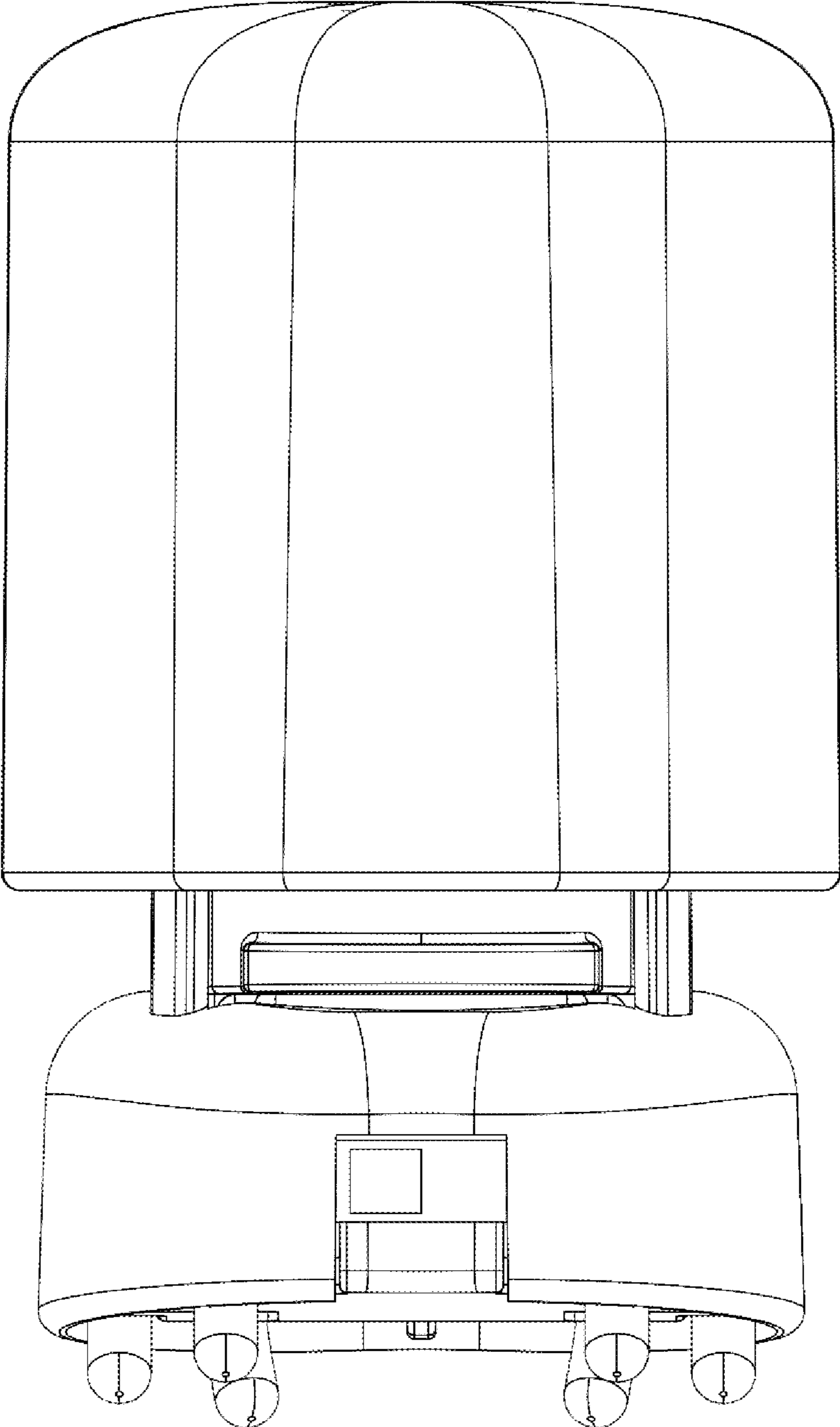
**FIGURE 2**



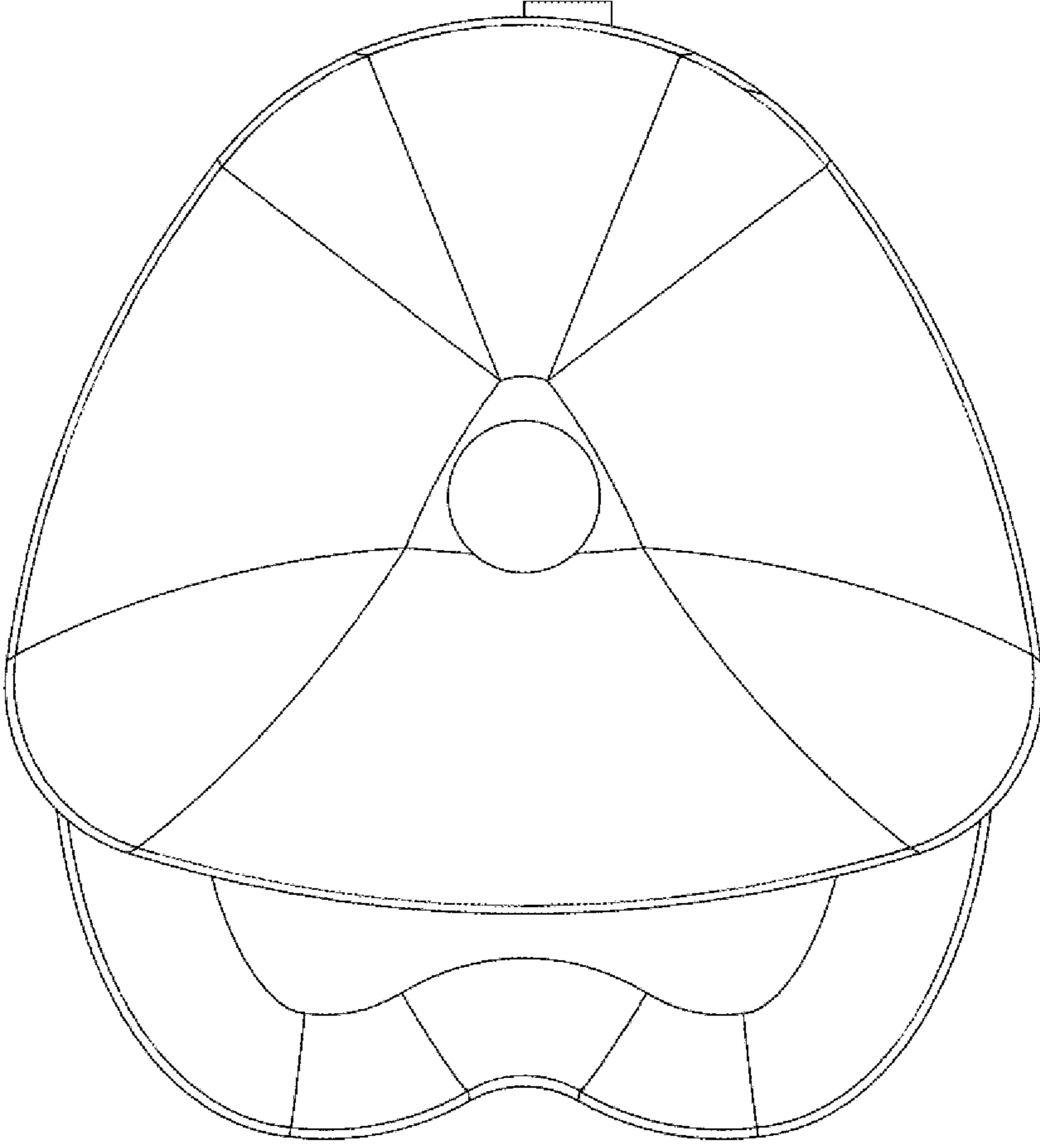
**FIGURE 3**



**FIGURE 4**

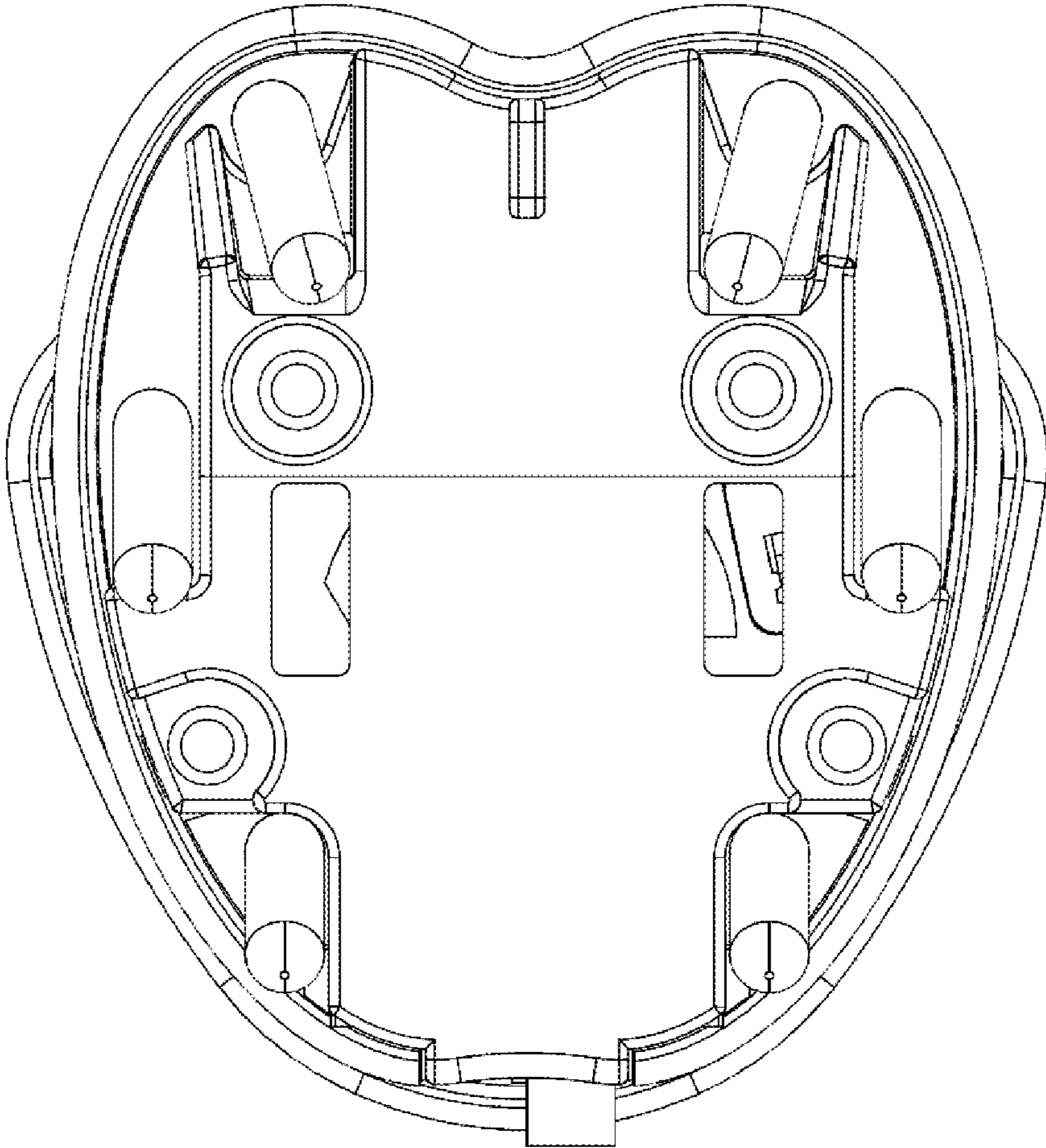


**FIGURE 5**

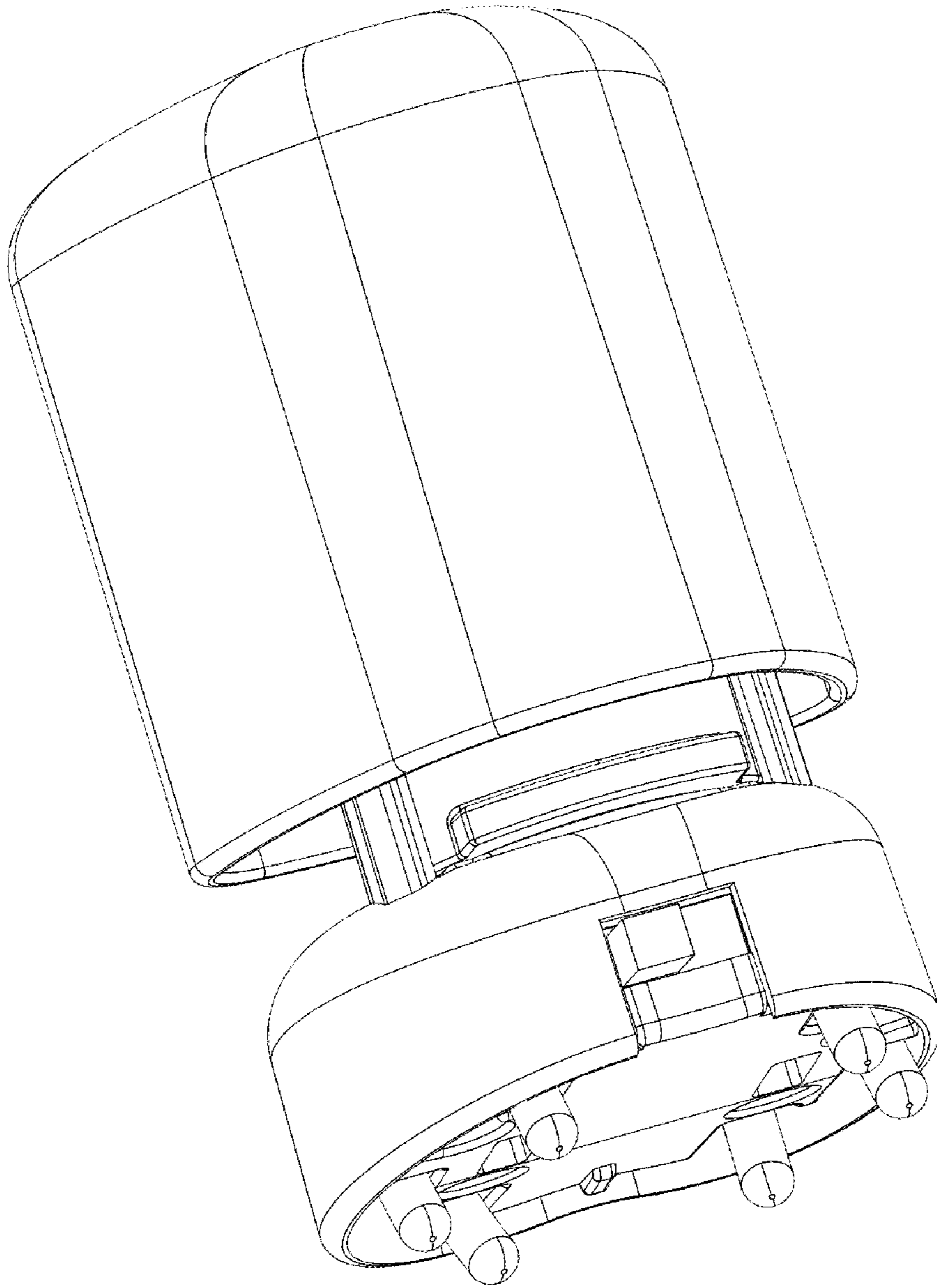


**FIGURE 6**

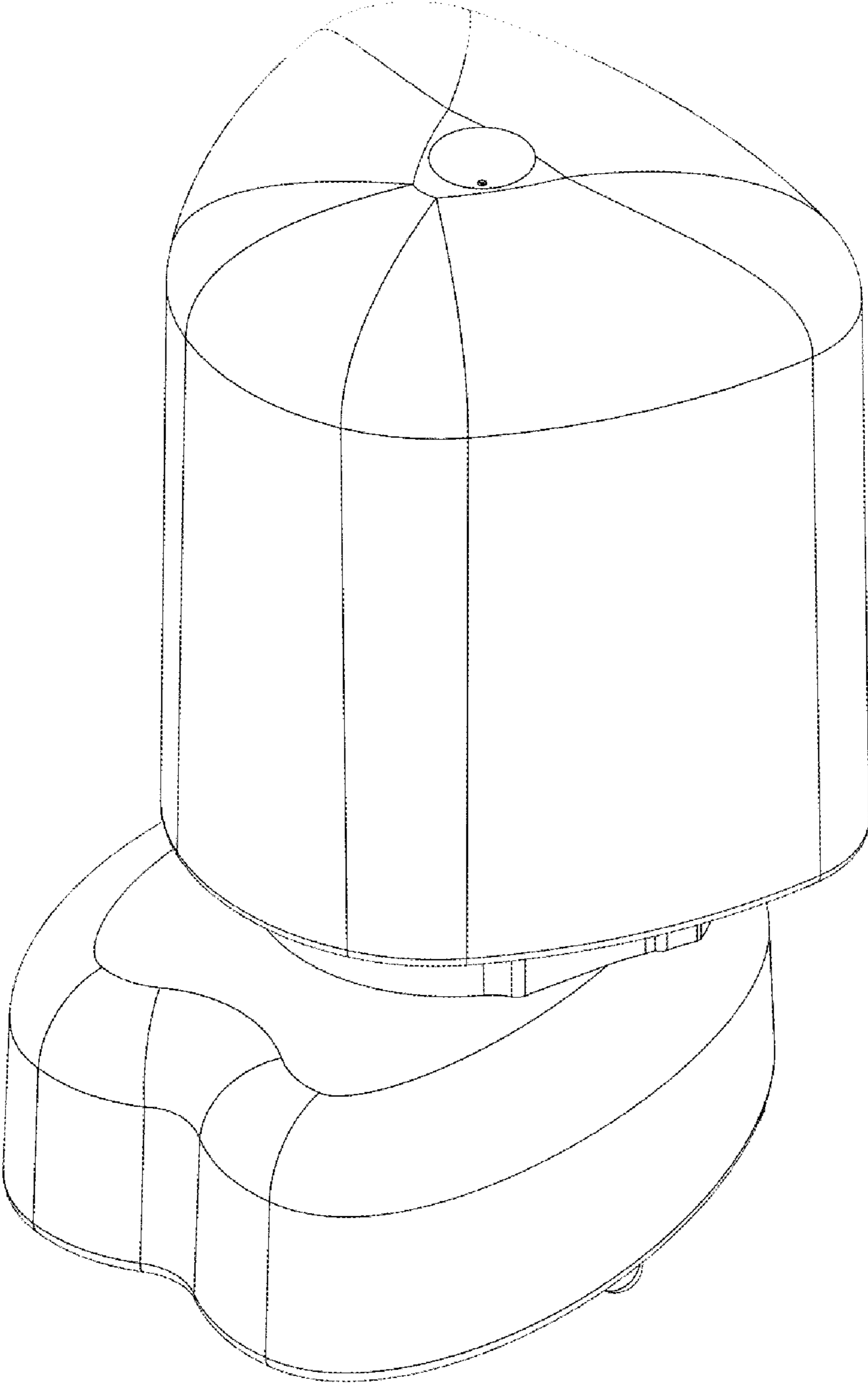




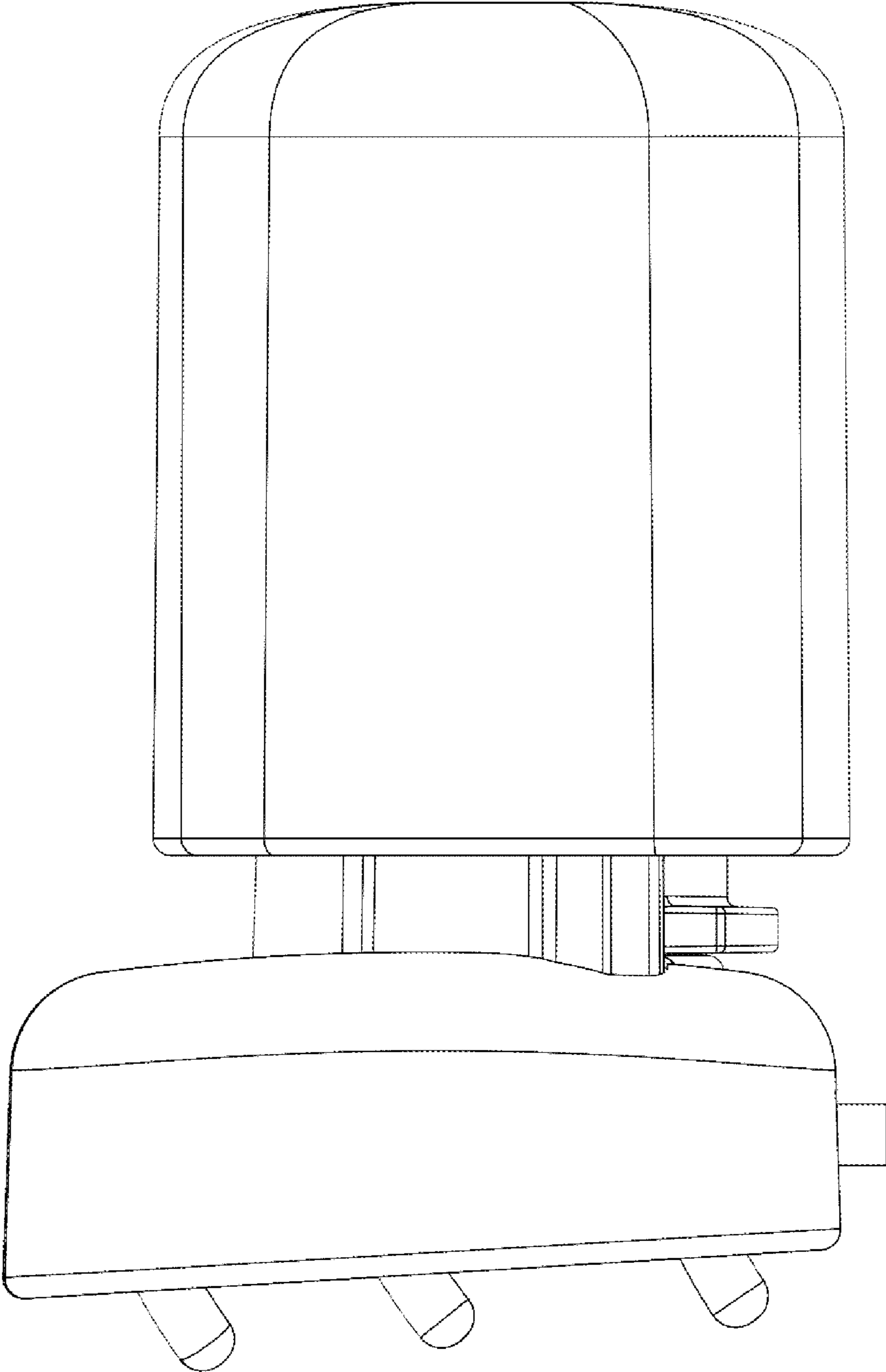
**FIGURE 7**



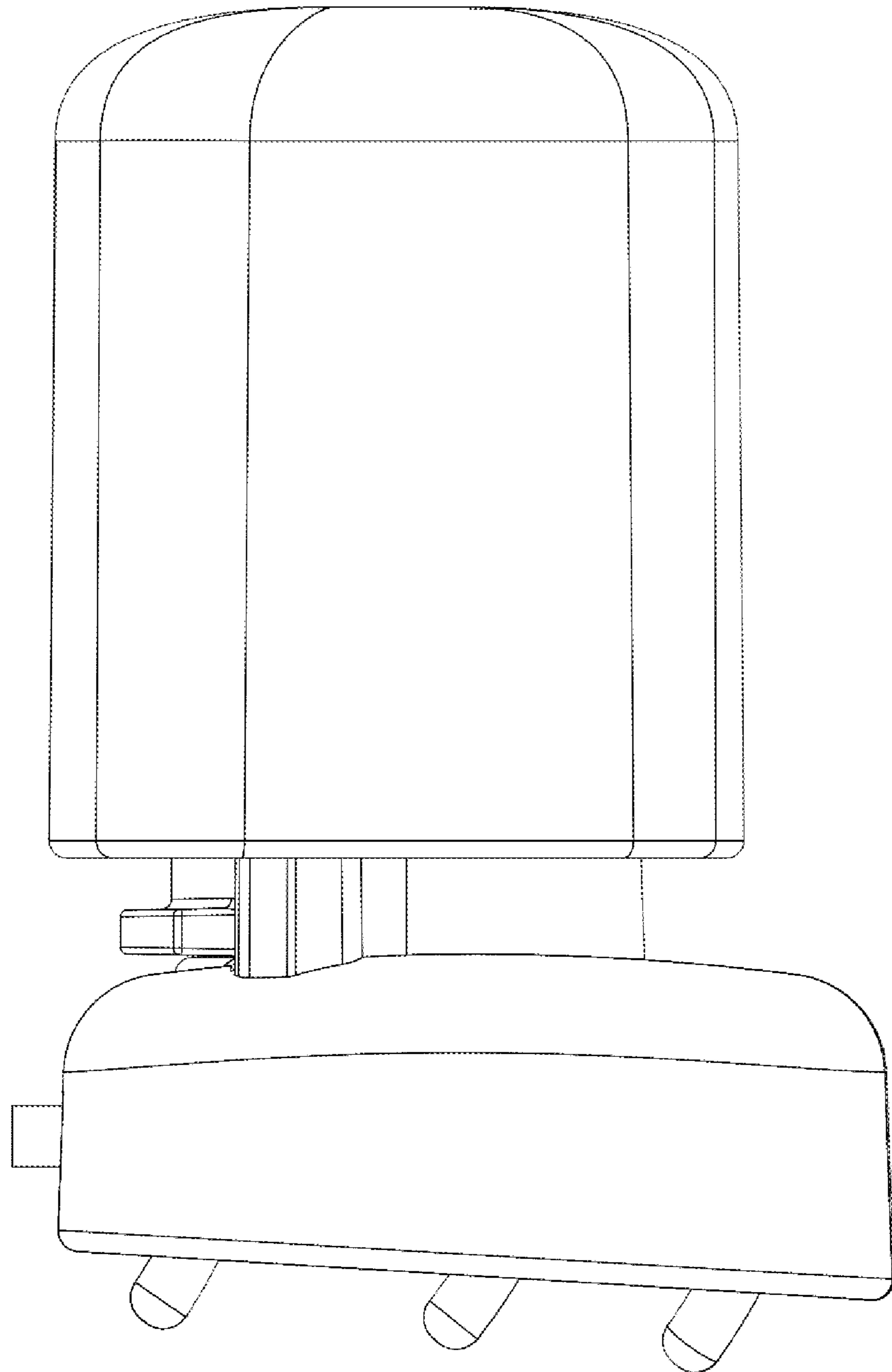
**FIGURE 8**



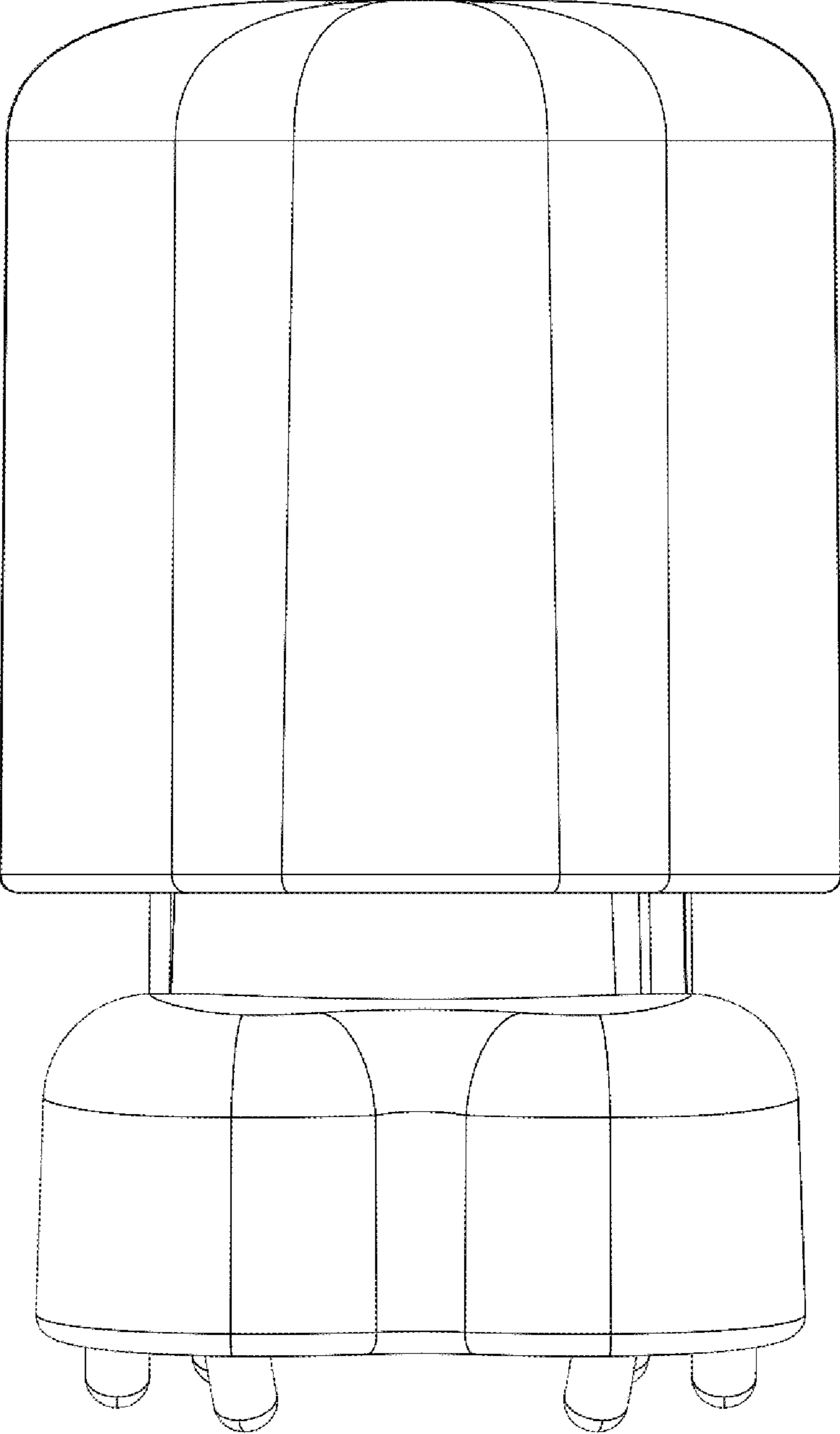
**FIGURE 9**



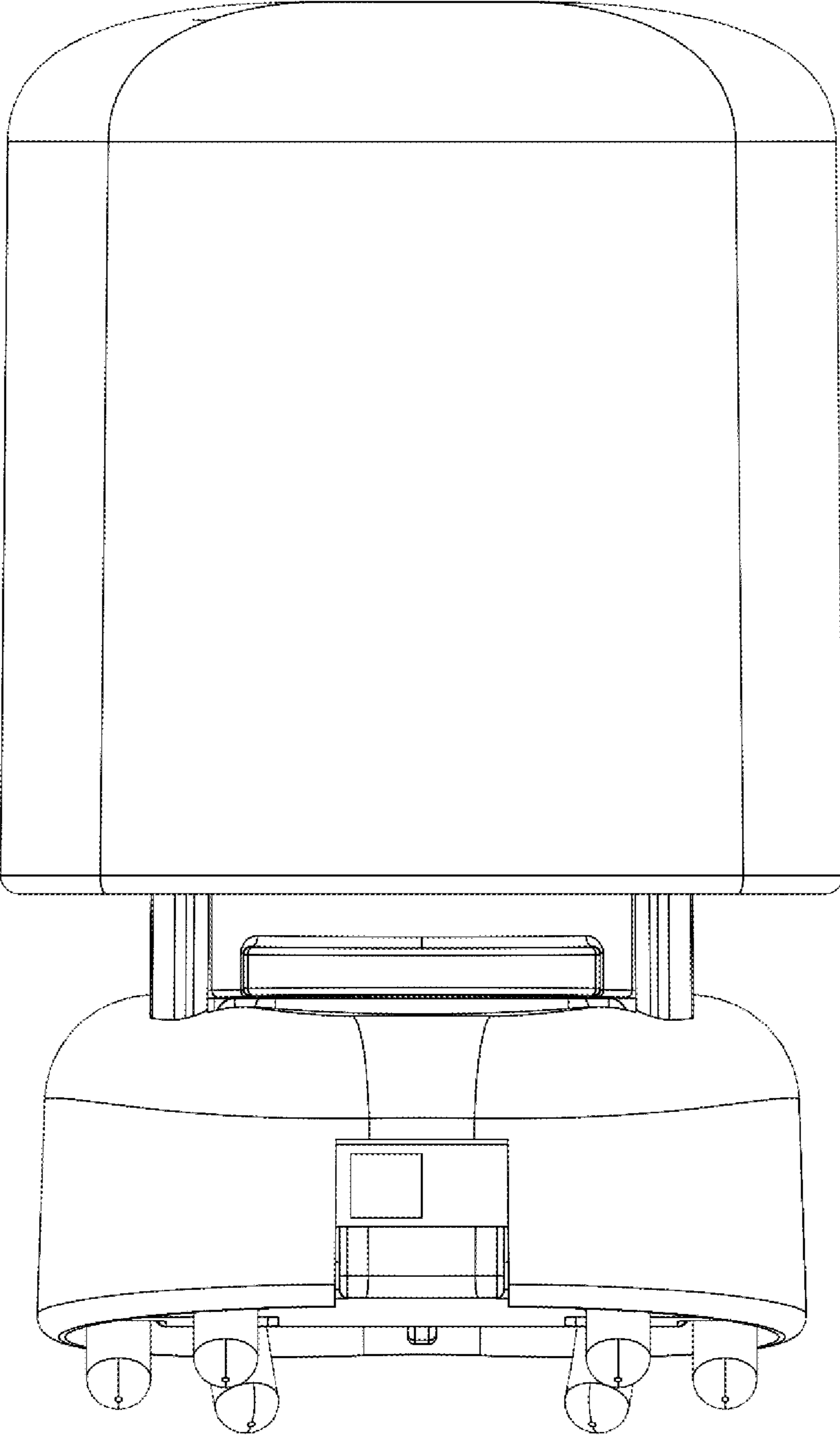
**FIGURE 10**



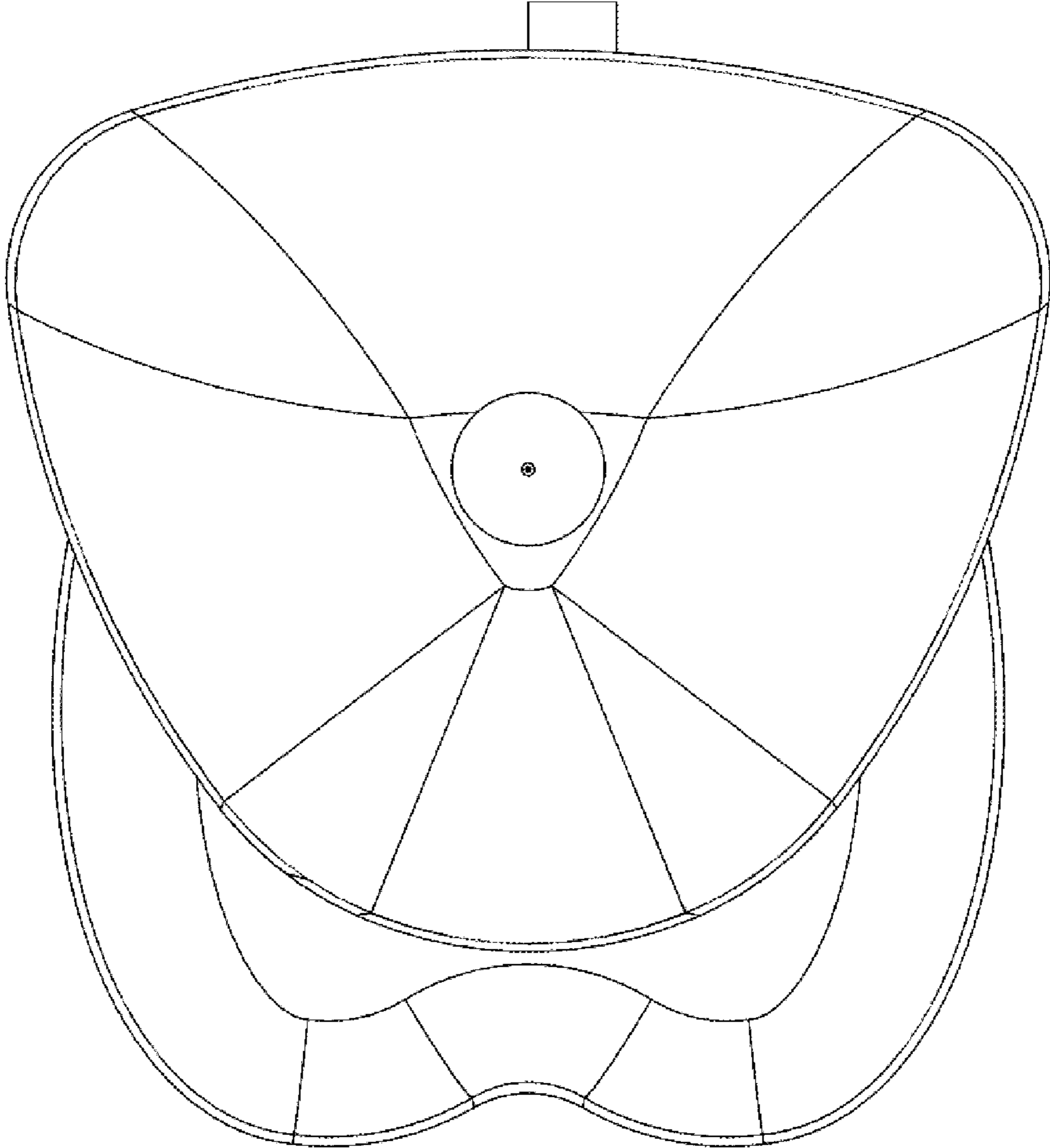
**FIGURE 11**



**FIGURE 12**

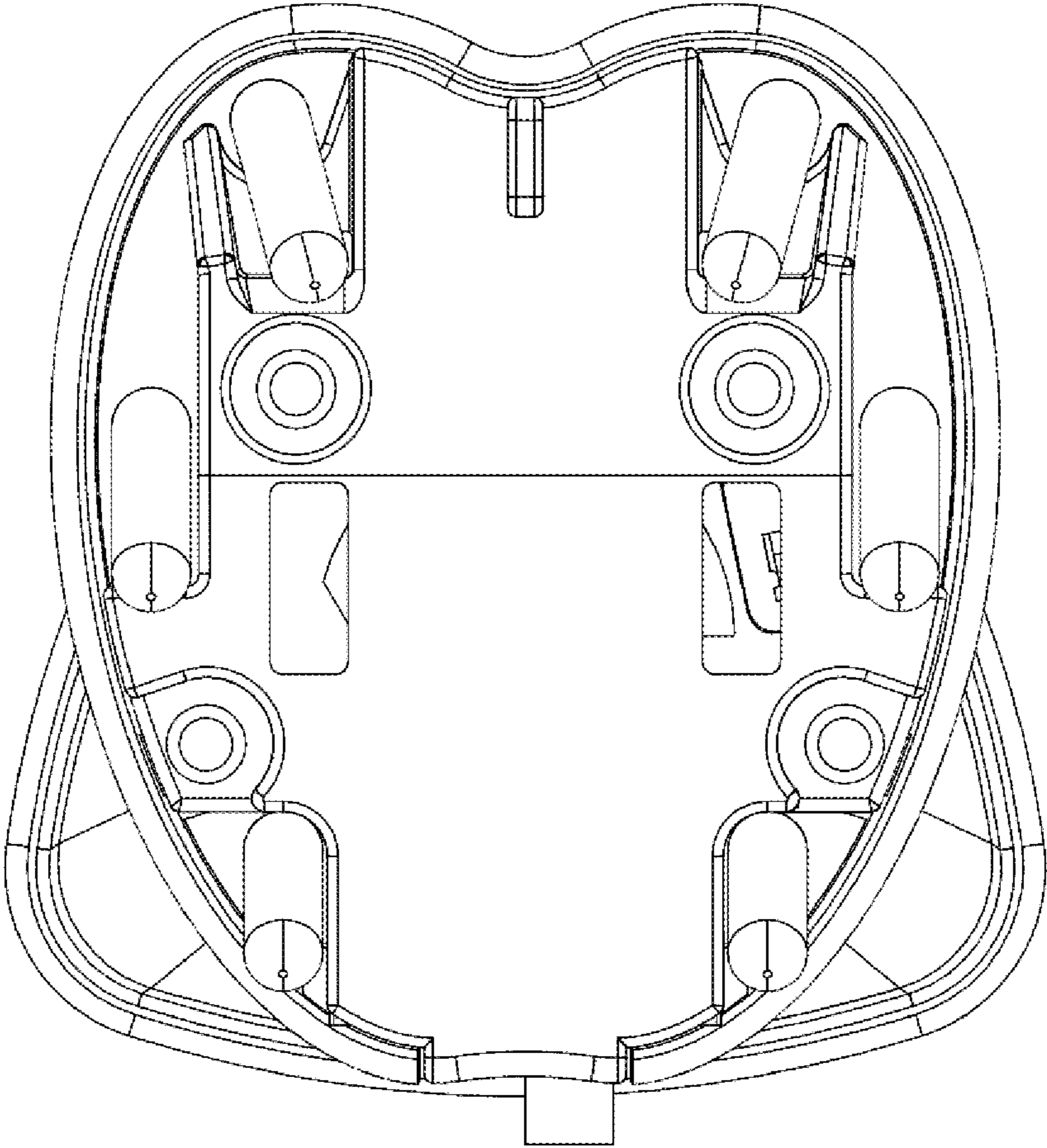


**FIGURE 13**

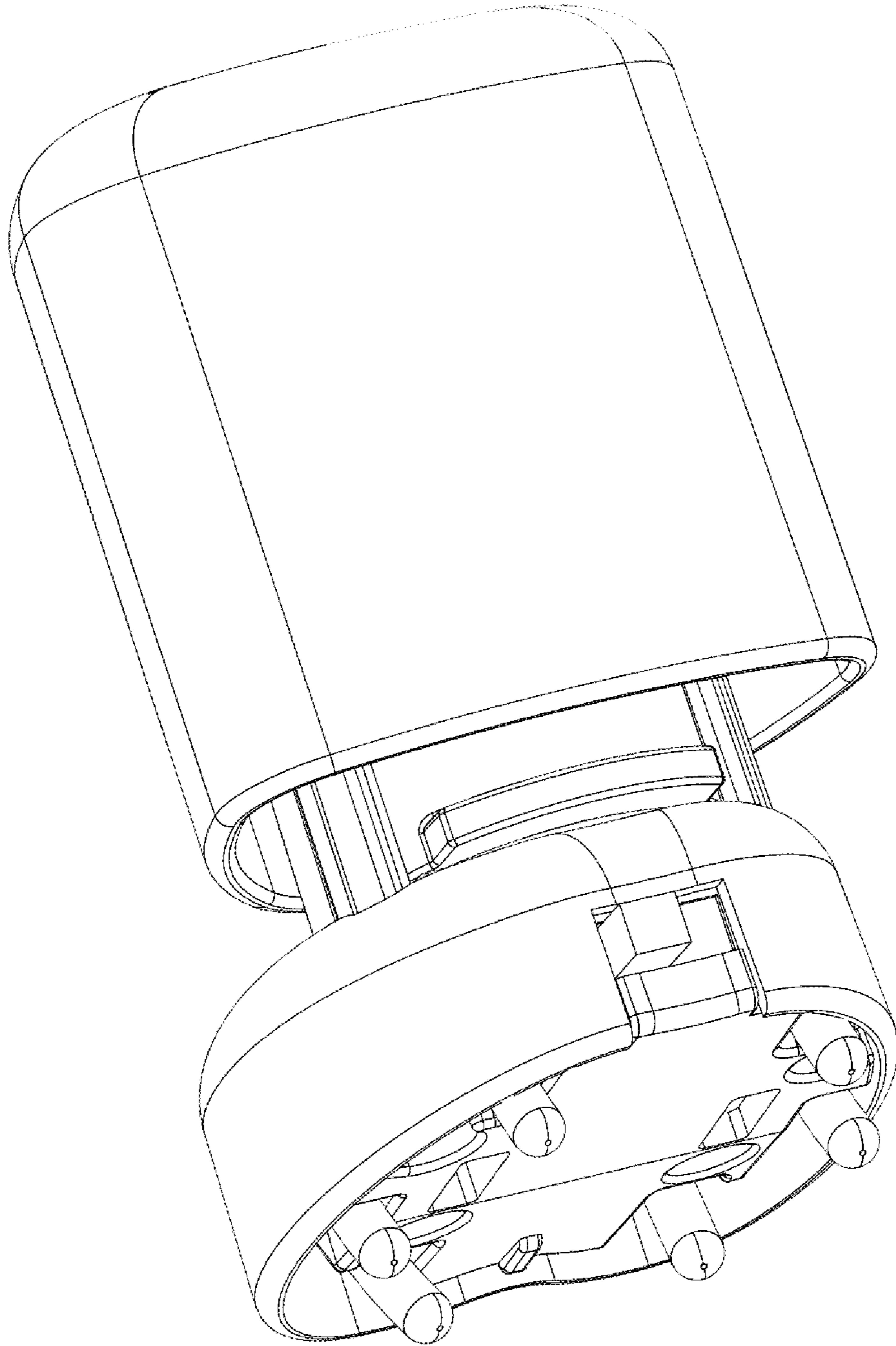


**FIGURE 14**





**FIGURE 15**



**FIGURE 16**