



US00D676504S

(12) **United States Design Patent**
Wilson

(10) **Patent No.:** **US D676,504 S**
(45) **Date of Patent:** **** Feb. 19, 2013**

(54) **SQUIRT GUN**

(71) Applicant: **Kyle S. Wilson**, Sandy, UT (US)

(72) Inventor: **Kyle S. Wilson**, Sandy, UT (US)

(**) Term: **14 Years**

(21) Appl. No.: **29/434,145**

(22) Filed: **Oct. 10, 2012**

Related U.S. Application Data

(60) Division of application No. 29/415,133, filed on Mar. 7, 2012, which is a continuation-in-part of application No. 29/395,174, filed on Dec. 12, 2011.

(51) **LOC (9) Cl.** **21-01**

(52) **U.S. Cl.** **D21/572**

(58) **Field of Classification Search** D21/401,
D21/567, 575; D22/100, 103, 104, 105;
D23/231; 446/175, 176, 180, 473; 222/78,
222/79; 239/211, 222.11, 237, 329, 373,
239/525, 526; 124/63-65, 69, 73-75
See application file for complete search history.

(56) **References Cited**

U.S. PATENT DOCUMENTS

D164,657 S * 9/1951 Tovel D21/574
D169,440 S * 4/1953 Hirsch D21/574

D192,474 S * 3/1962 Benkoe D21/574
3,919,799 A * 11/1975 Austin et al. D21/573
D261,786 S * 11/1981 Steinberg D21/574
D302,848 S * 8/1989 Kao D23/226
D309,759 S * 8/1990 Mak D21/401
D358,178 S * 5/1995 O'Dell D21/385
D477,642 S * 7/2003 Byrd D21/574
D488,521 S * 4/2004 Byrd D21/574
D522,070 S * 5/2006 Hunter et al. D21/570
D617,398 S * 6/2010 Selevan D21/572

* cited by examiner

Primary Examiner — Cynthia M Chin

(74) *Attorney, Agent, or Firm* — Bateman IP

(57) **CLAIM**

The ornamental design for a squirt gun, as shown and described.

DESCRIPTION

FIG. 1 shows a perspective view of a squirt gun of the present invention;

FIG. 2 shows a left side view of the squirt gun of FIG. 1;

FIG. 3 shows a right side view of the squirt gun of FIG. 1;

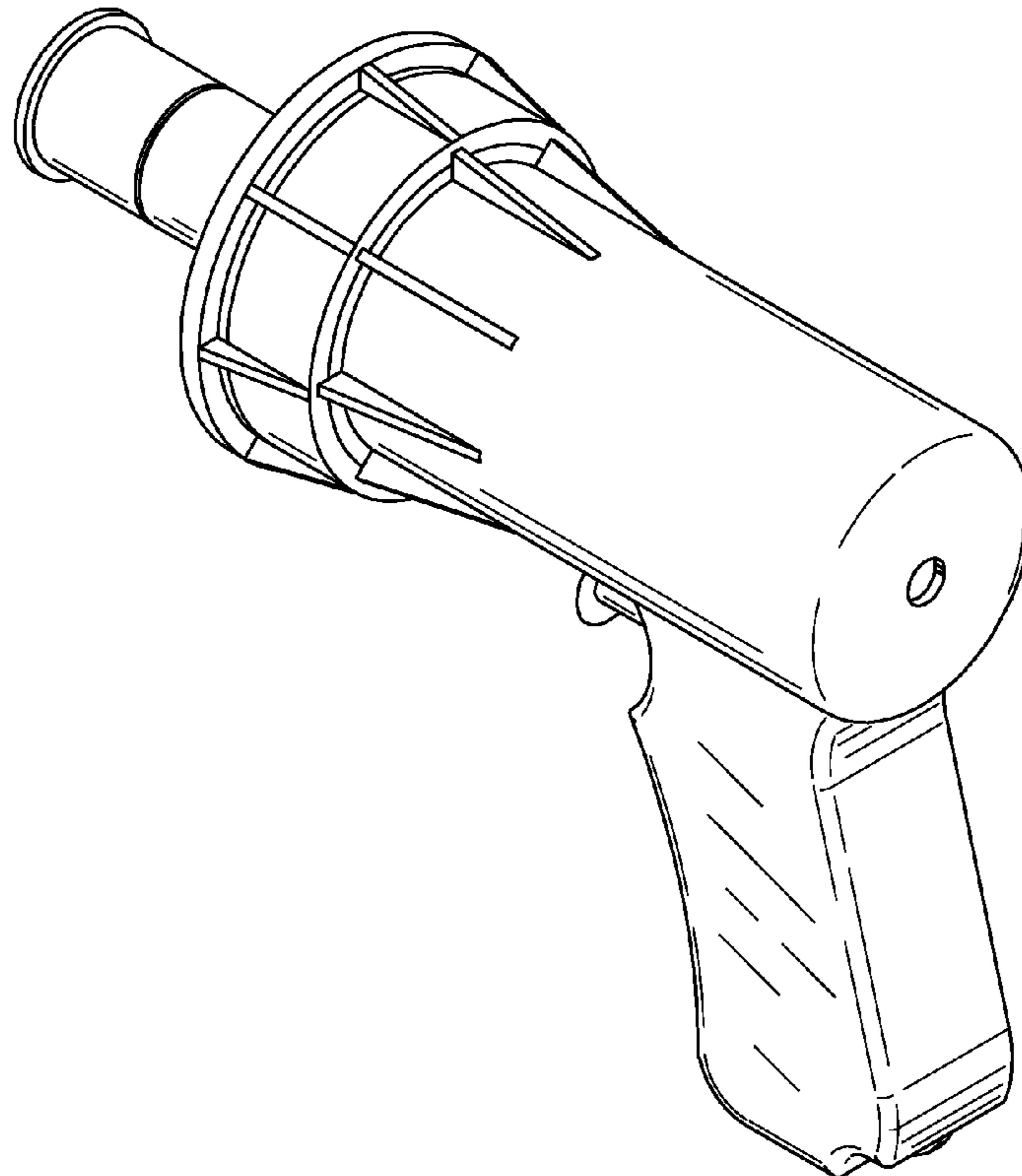
FIG. 4 shows a top view of the squirt gun of FIG. 1;

FIG. 5 shows a bottom view of the squirt gun of FIG. 1;

FIG. 6 shows a front view of the squirt gun of FIG. 1; and,

FIG. 7 shows a back view of the squirt gun of FIG. 1.

1 Claim, 4 Drawing Sheets



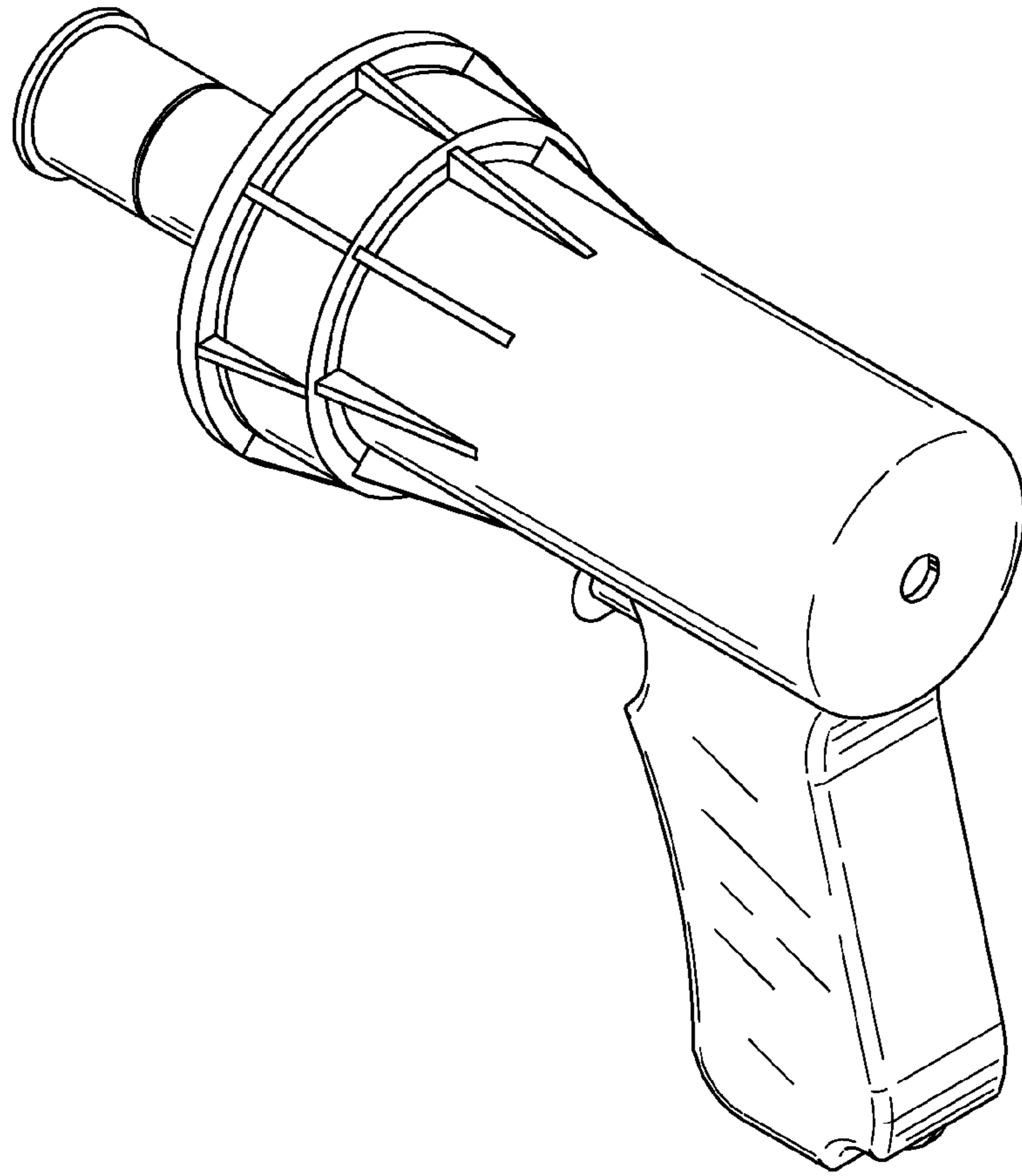


FIG. 1

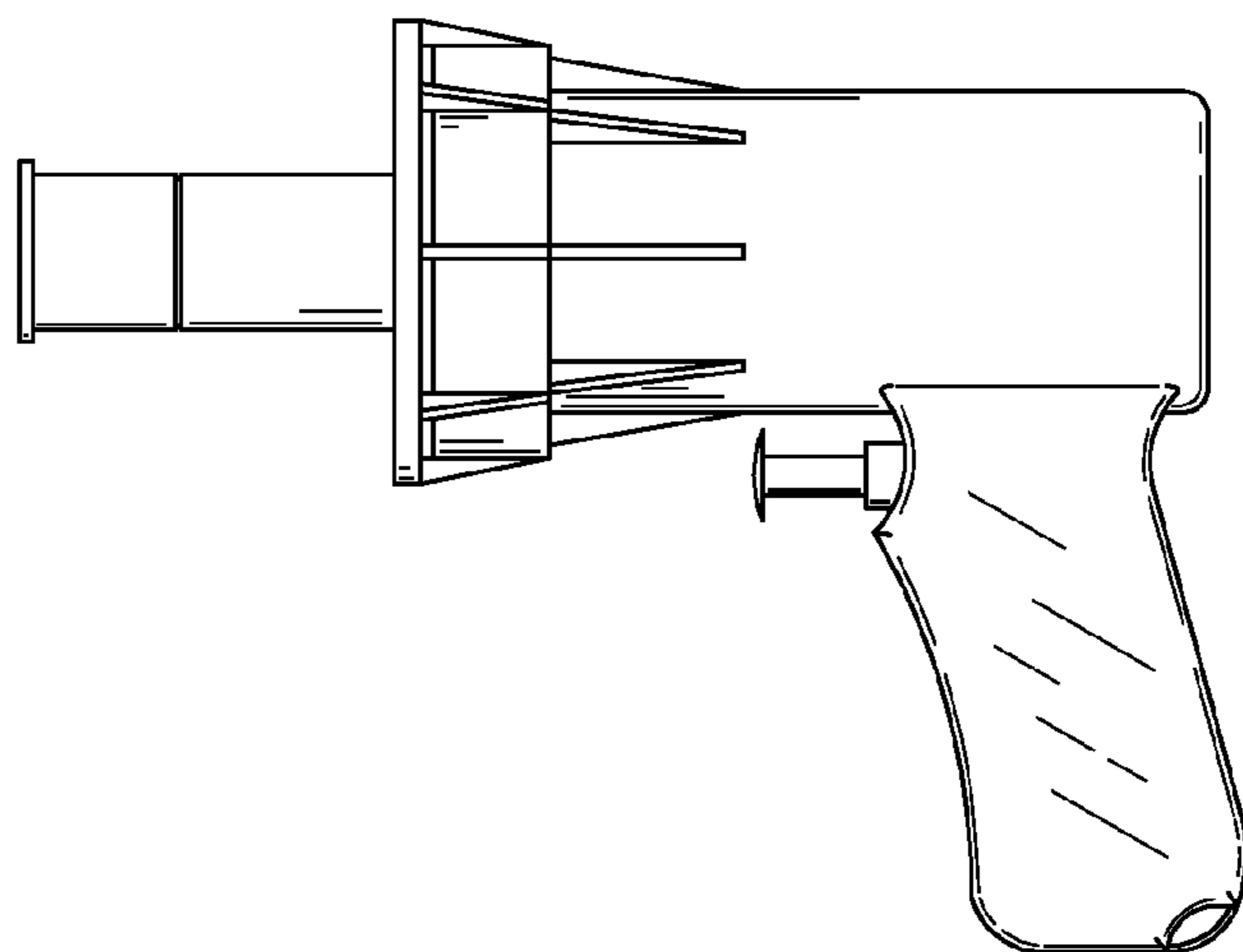


FIG. 2

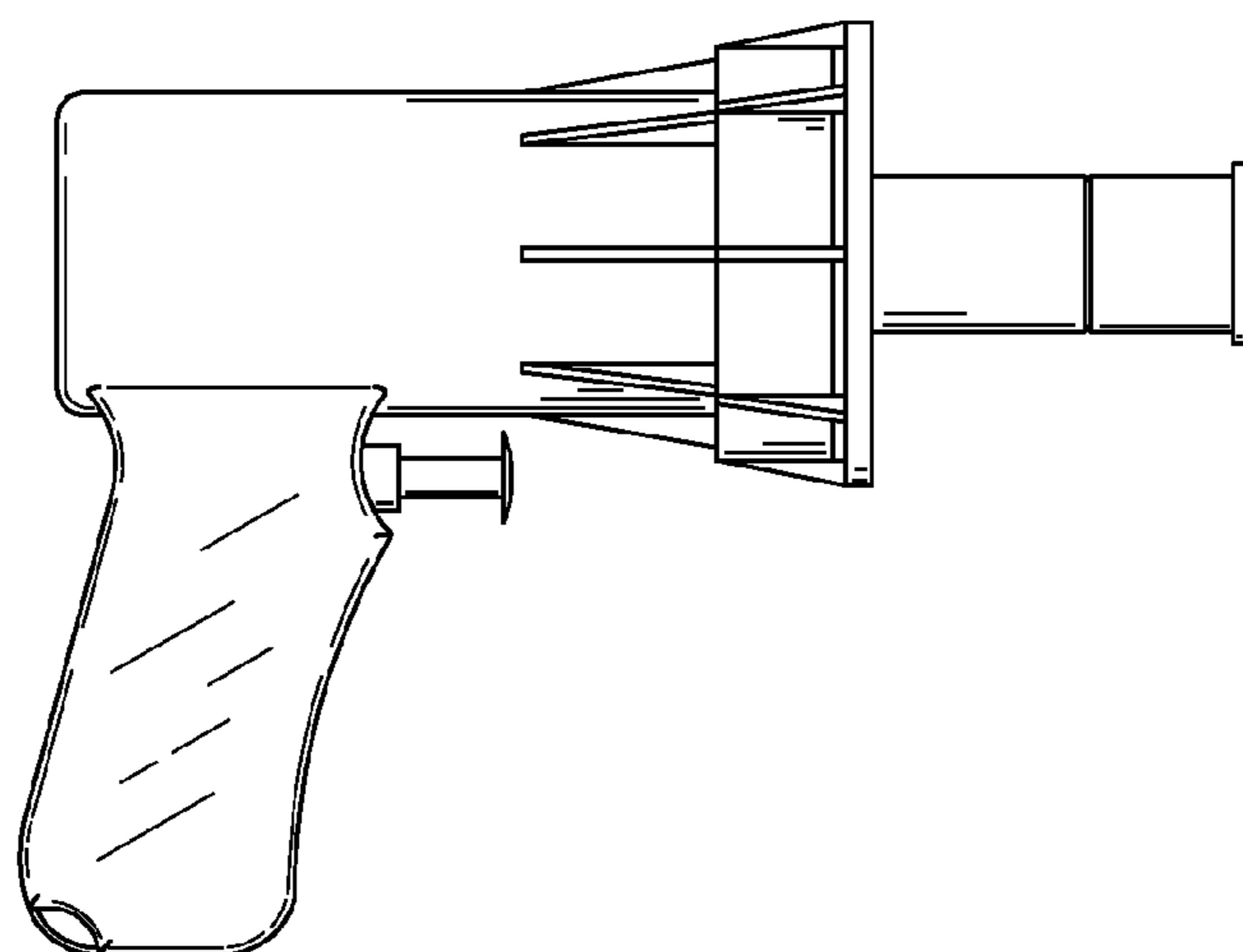


FIG. 3

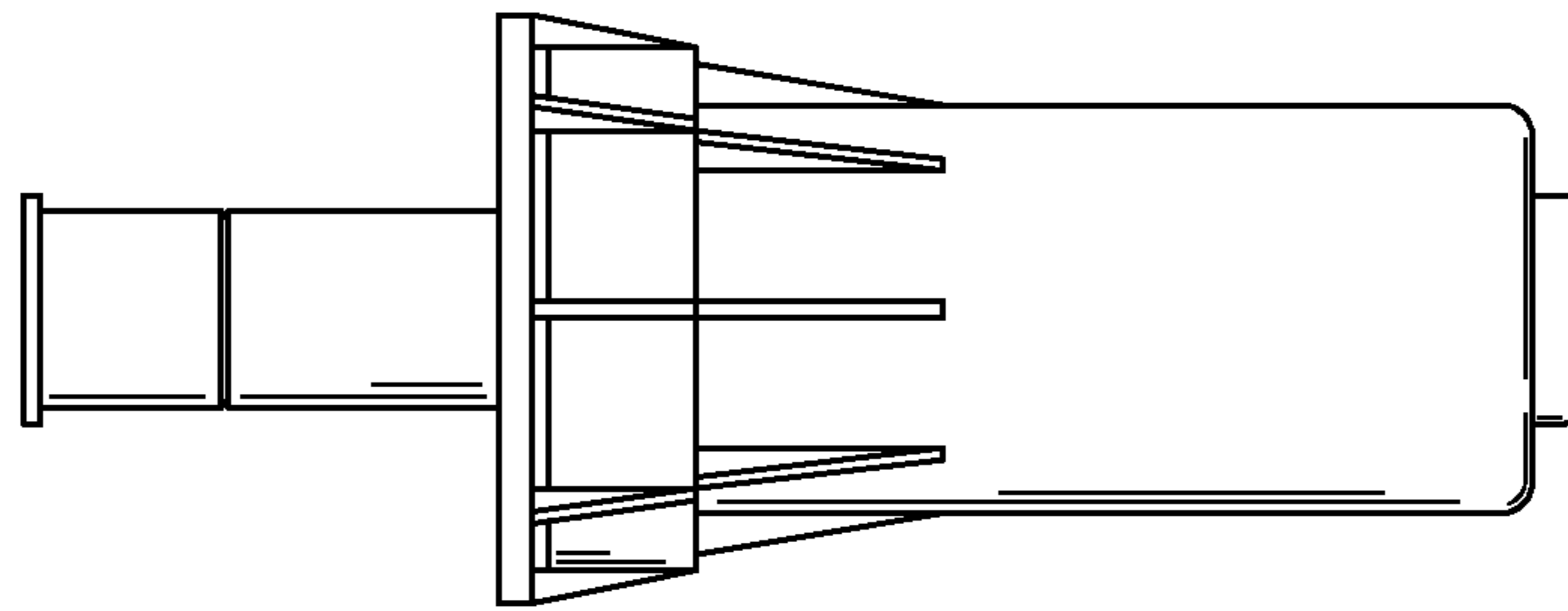


FIG. 4

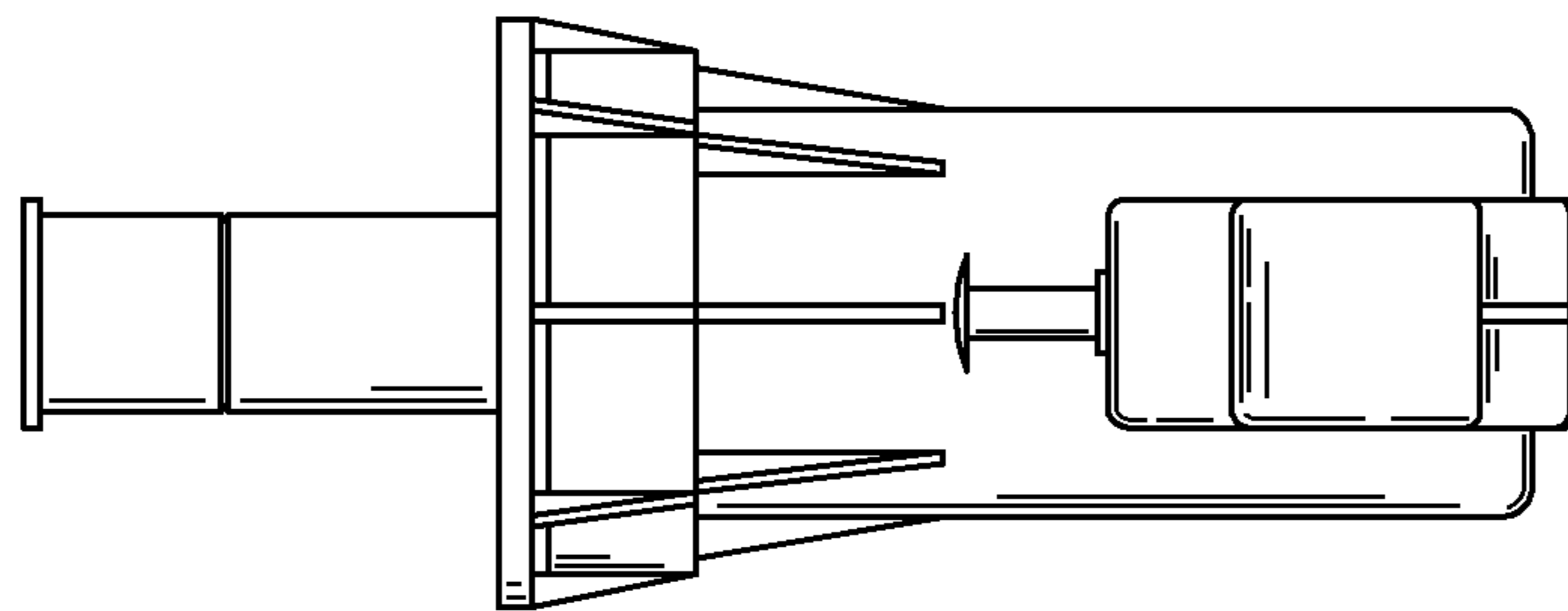


FIG. 5

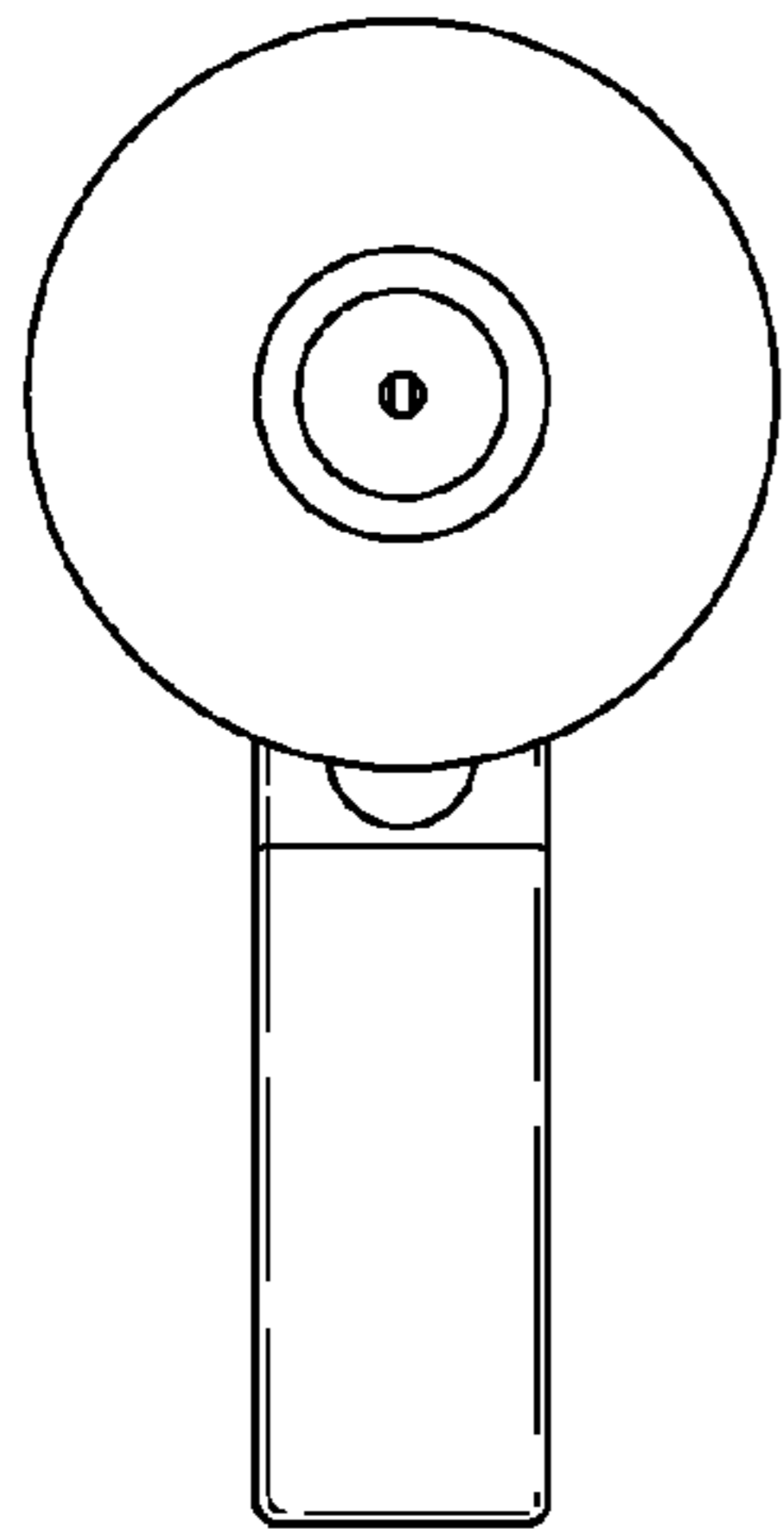


FIG. 6

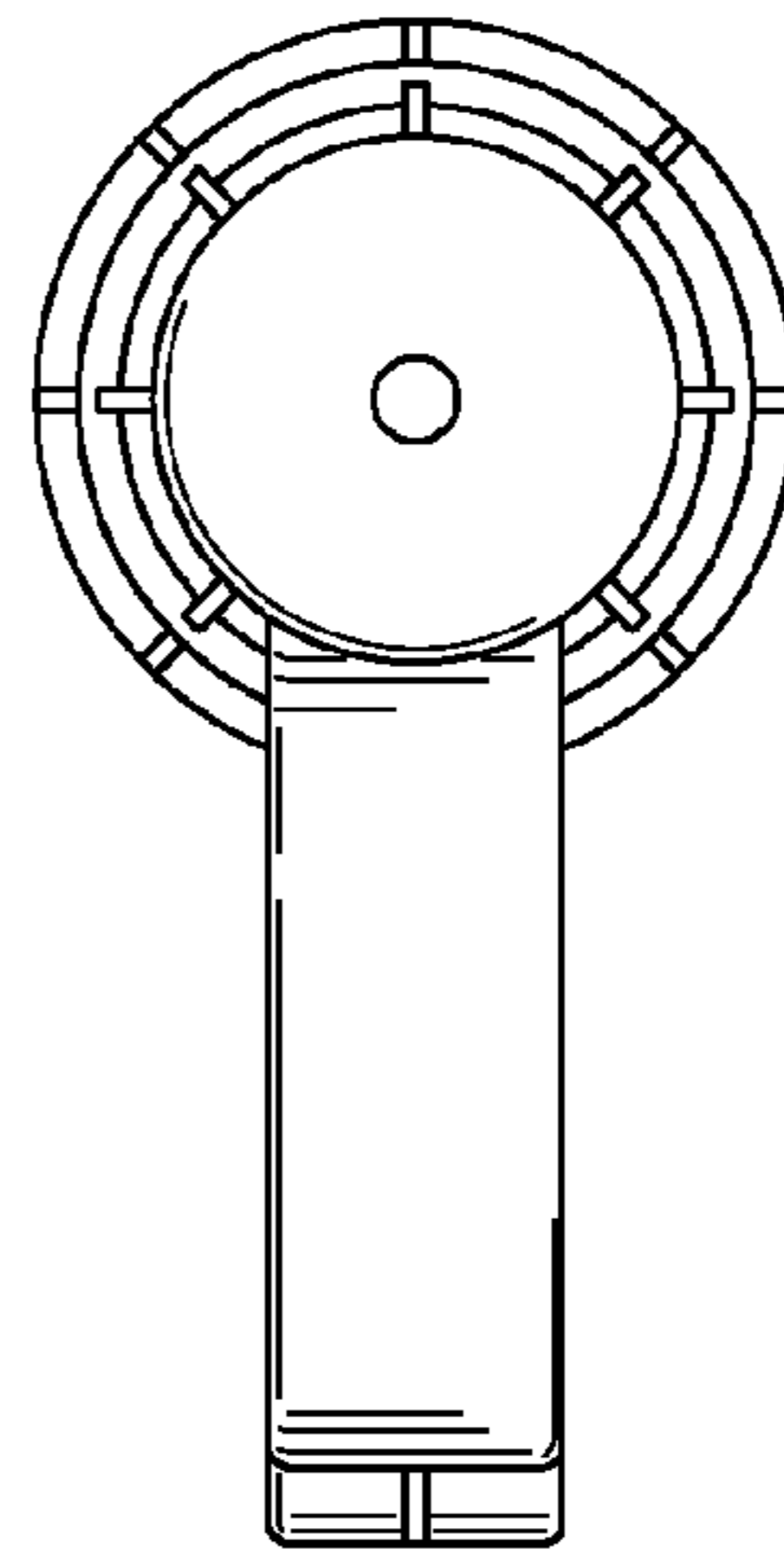


FIG. 7