

US00D676502S

(12) **United States Design Patent**
Umezawa

(10) **Patent No.:** **US D676,502 S**
(45) **Date of Patent:** **** Feb. 19, 2013**

(54) **TOY FOR BATTLE DRIVING**

(75) Inventor: **Ryutaro Umezawa, Tokyo (JP)**

(73) Assignee: **Tomy Company, Ltd. (JP)**

(**) Term: **14 Years**

(21) Appl. No.: **29/425,807**

(22) Filed: **Jun. 27, 2012**

(30) **Foreign Application Priority Data**

Dec. 28, 2011 (CN) 2011 3 0503214

(51) **LOC (9) Cl.** **21-01**

(52) **U.S. Cl.** **D21/557**

(58) **Field of Classification Search** D21/533,
D21/537, 539, 556, 557, 431; D12/1, 3,
D12/12, 14; D15/10-12, 22-25; 446/89,
446/176, 424-427, 429, 433, 435, 470, 475;
89/36.08; 124/67

See application file for complete search history.

(56) **References Cited**

U.S. PATENT DOCUMENTS

D216,725 S * 3/1970 Fulcher D21/556
D225,761 S * 1/1973 Munn D21/533
D226,182 S * 1/1973 Danielson D12/12
D226,572 S * 3/1973 Munn D21/533
D234,091 S * 1/1975 Kurmholz D21/557

D245,000 S * 7/1977 Longeau D12/12
D250,907 S * 1/1979 Appel D21/539
D274,165 S * 6/1984 Duennes D21/533
D274,175 S * 6/1984 Boudreaux D21/533
D283,236 S * 4/1986 Arigaya D21/562
D293,256 S * 12/1987 Suzuki D21/533
7,481,694 B1 * 1/2009 Benbow 446/454
D590,743 S * 4/2009 Waters et al. D12/12

* cited by examiner

Primary Examiner — Cynthia M Chin

(74) *Attorney, Agent, or Firm* — Cantor Colburn LLP

(57) **CLAIM**

The ornamental design for a toy for battle driving, as shown and described.

DESCRIPTION

FIG. 1 is a perspective view of a toy for battle driving showing my new design;
FIG. 2 is a further perspective view thereof;
FIG. 3 is a front view thereof;
FIG. 4 is a rear view thereof;
FIG. 5 is a left side view thereof;
FIG. 6 is a right side view thereof;
FIG. 7 is a top plan view thereof; and,
FIG. 8 is a bottom plan view thereof.

1 Claim, 8 Drawing Sheets

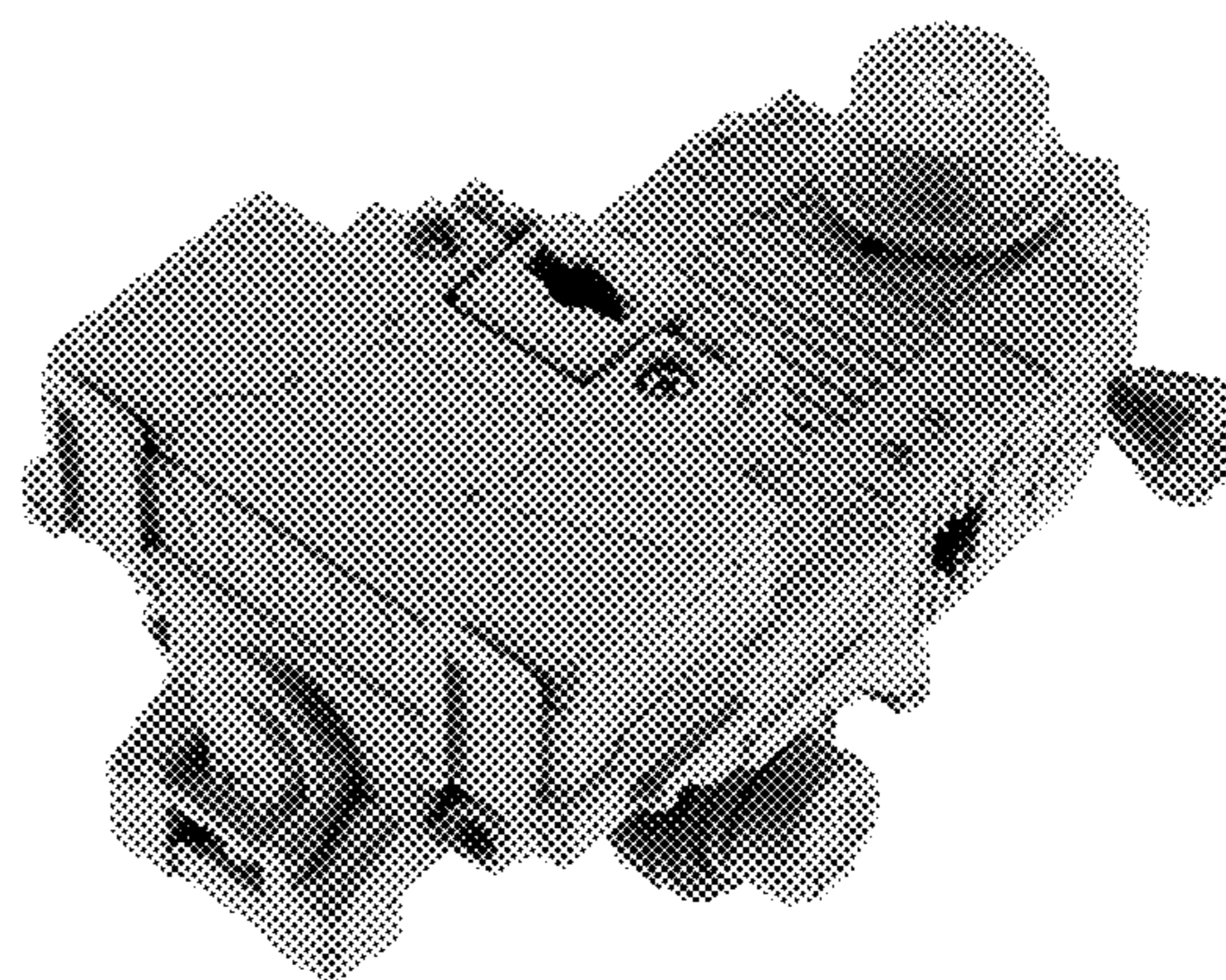
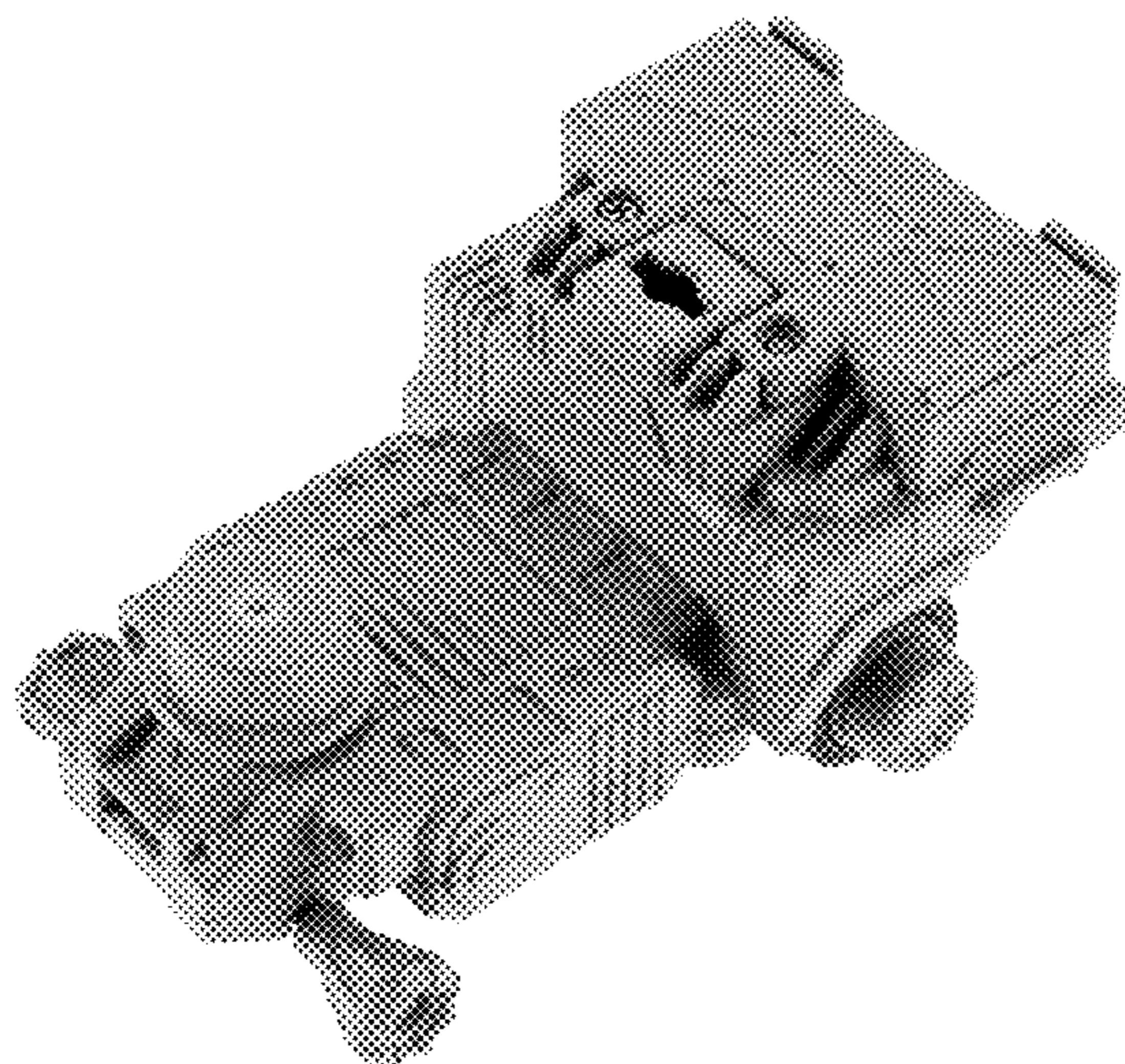


FIG. 1

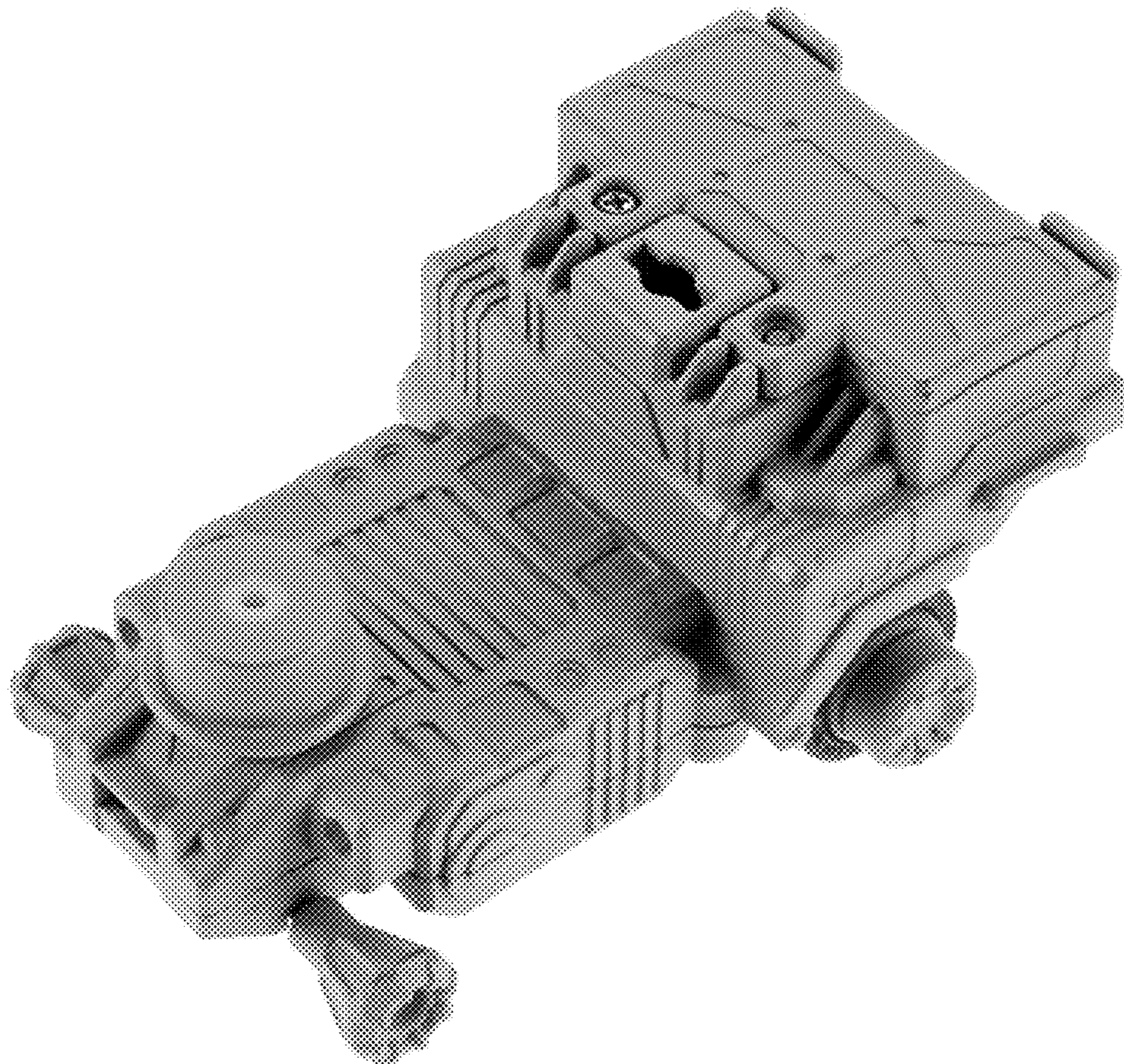


FIG. 2



FIG. 3

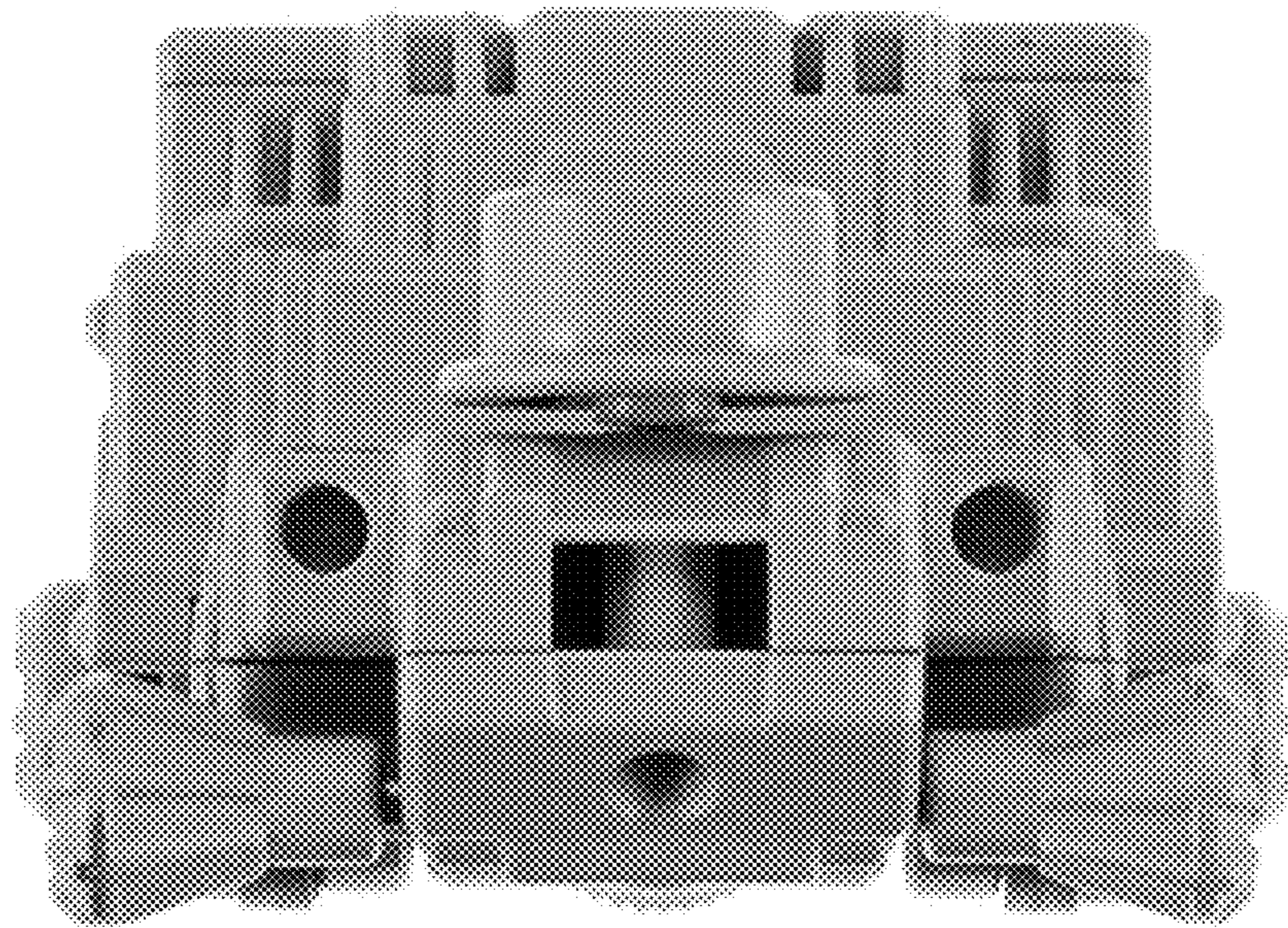


FIG. 4

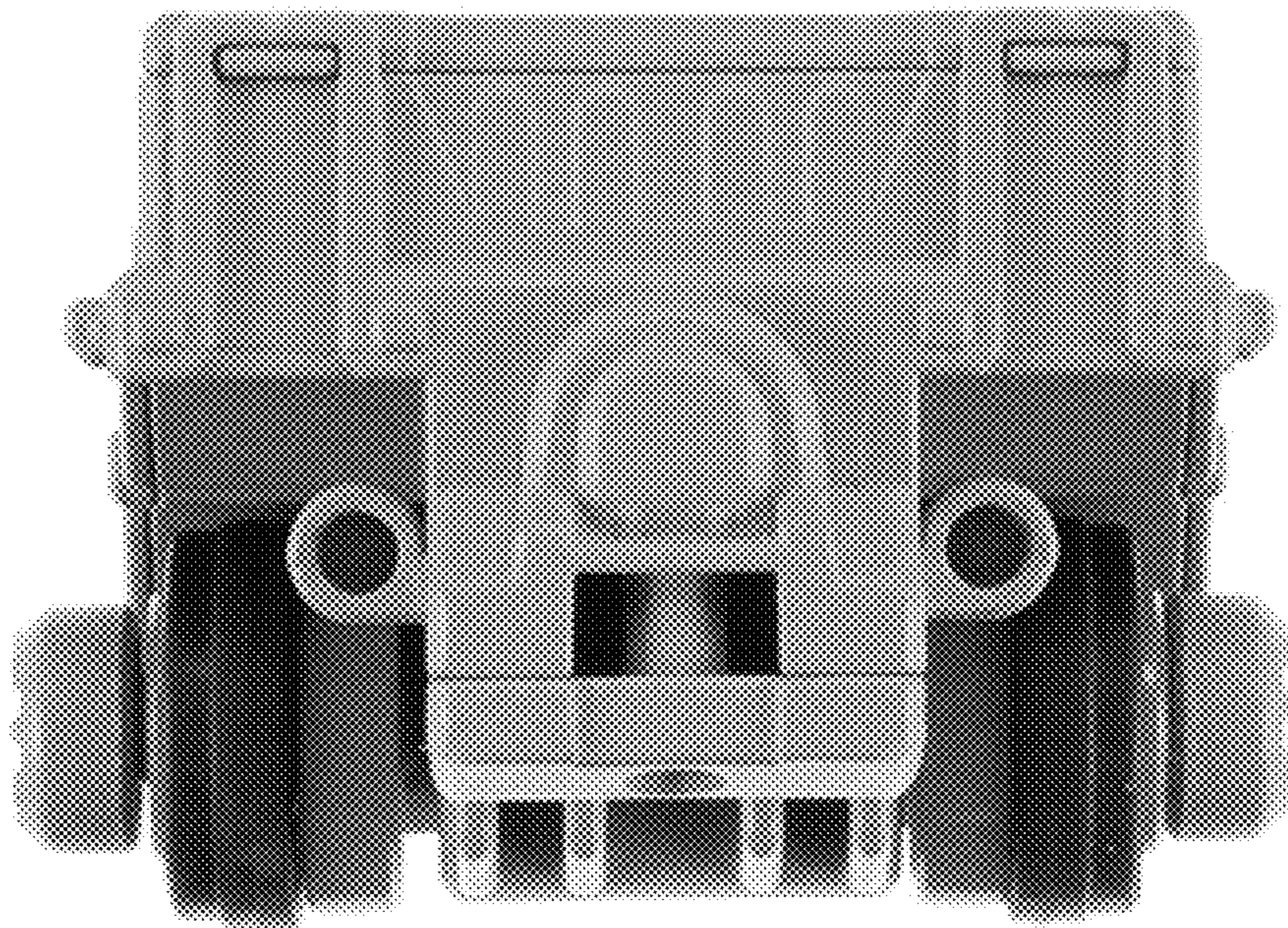


FIG. 5

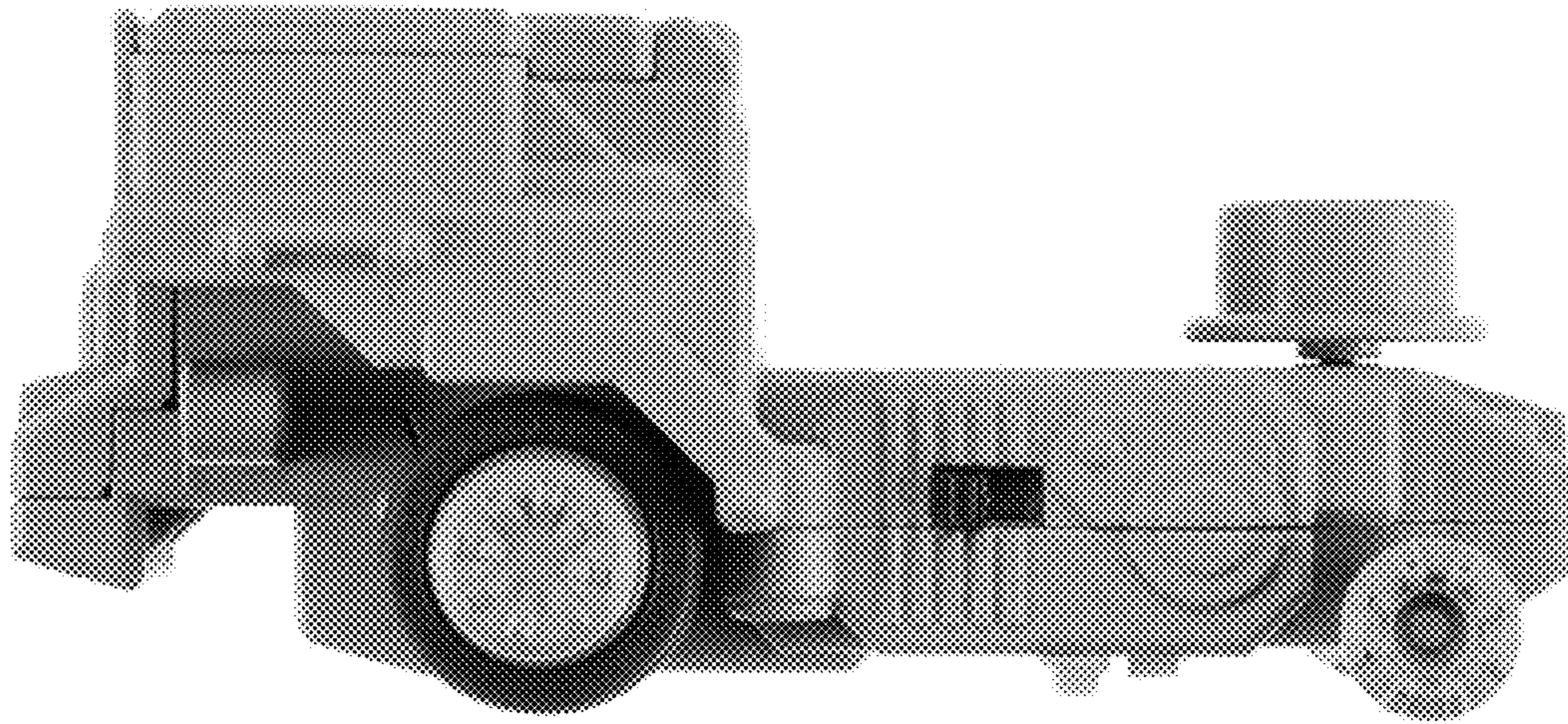


FIG. 6

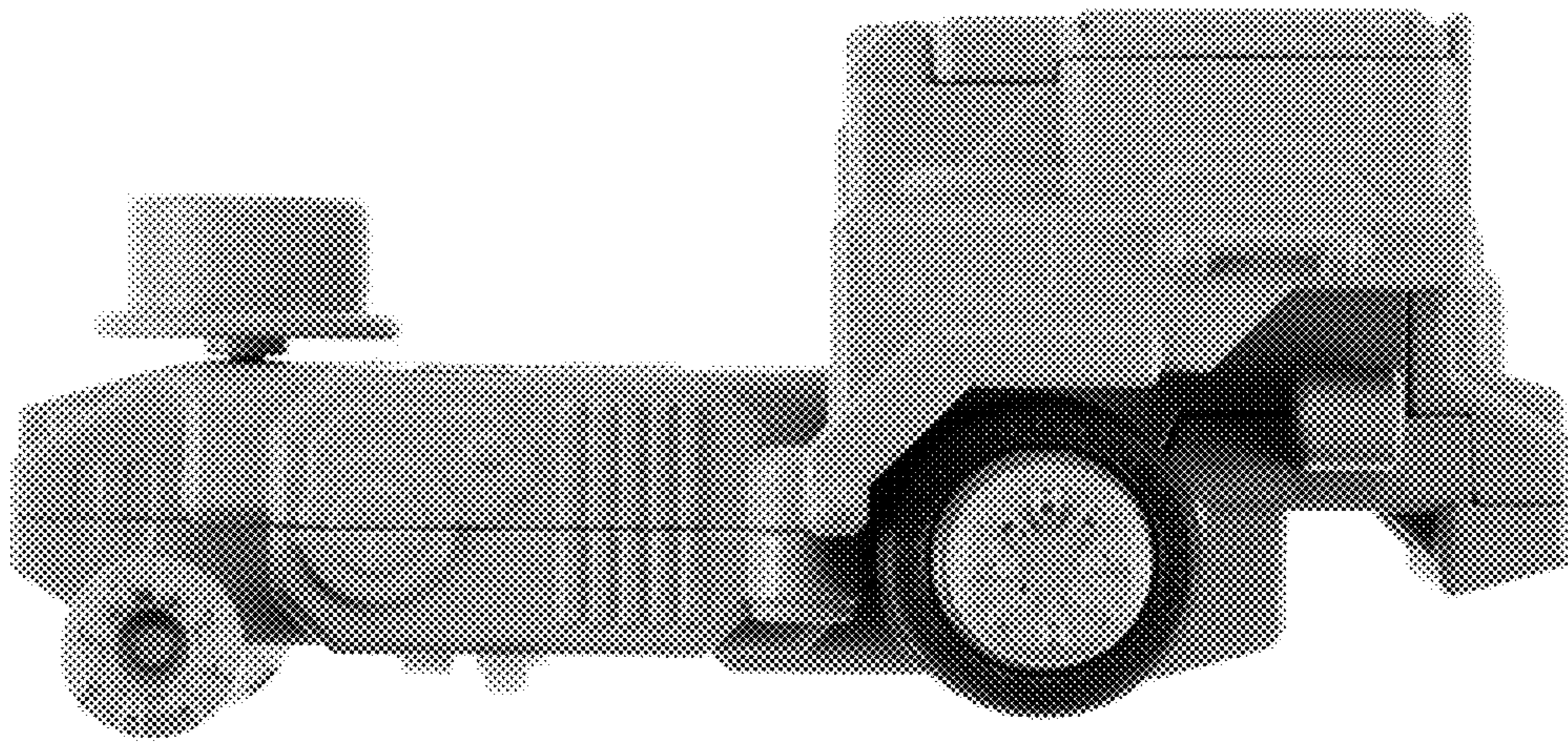


FIG. 7

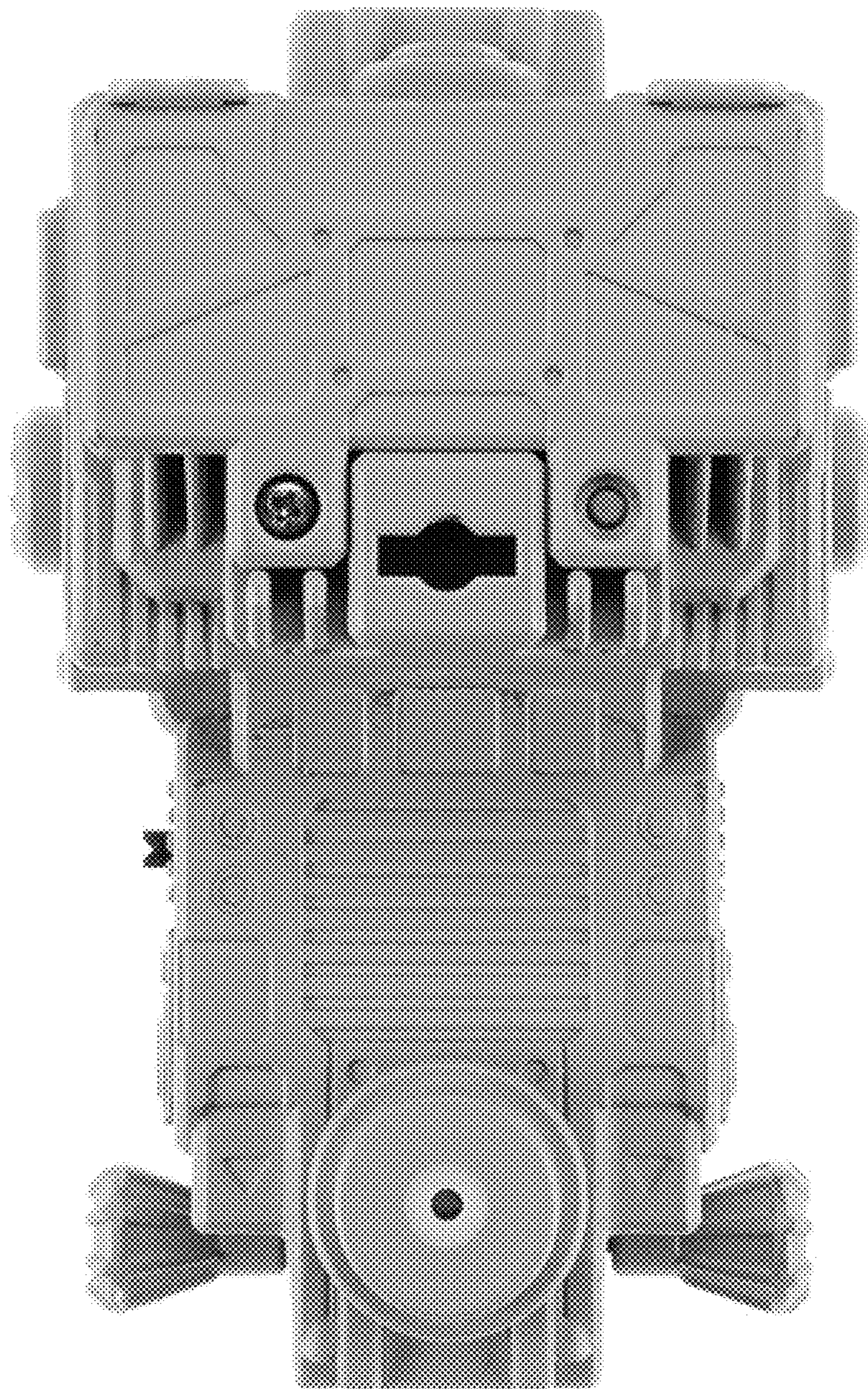


FIG. 8

