



US00D676498S

(12) **United States Design Patent**
Desberg

(10) **Patent No.:** **US D676,498 S**

(45) **Date of Patent:** **** Feb. 19, 2013**

(54) **TOY WORK BENCH**

(75) Inventor: **Ian Desberg**, Emeryville, CA (US)

(73) Assignee: **MerchSource, LLC**, Foothill Ranch, CA (US)

(**) Term: **14 Years**

(21) Appl. No.: **29/403,164**

(22) Filed: **Oct. 2, 2011**

(51) **LOC (9) Cl.** **21-01**

(52) **U.S. Cl.** **D21/522**

(58) **Field of Classification Search** D21/522,
D21/519, 524; D6/400; 446/481, 482
See application file for complete search history.

(56) **References Cited**

U.S. PATENT DOCUMENTS

D129,929 S *	10/1941	Mariol	D21/522
D277,019 S *	1/1985	Appel et al.	D21/522
D291,218 S *	8/1987	Mariol	D21/522
D302,030 S *	7/1989	Breuil	D21/522
D332,646 S *	1/1993	Aker et al.	D21/522
D453,539 S *	2/2002	Lanchais	D21/522

* cited by examiner

Primary Examiner — Cynthia M Chin

Assistant Examiner — Sydney Buffalow

(74) *Attorney, Agent, or Firm* — The Eclipse Group LLP

(57) **CLAIM**

I claim the ornamental design for a toy work bench, as shown and described.

DESCRIPTION

FIG. 1 is a perspective view of the right side of a toy work bench.

FIG. 2 is a front elevation view of the toy work bench illustrated in FIG. 1.

FIG. 3 is a rear elevation view of the toy work bench illustrated in FIG. 1.

FIG. 4 is a top view of the toy work bench illustrated in FIG. 1.

FIG. 5 is a bottom view of the toy work bench illustrated in FIG. 1.

FIG. 6 is an elevation view of the right side of the toy work bench illustrated in FIG. 1; and,

FIG. 7 is an elevation view of the left side of the toy work bench illustrated in FIG. 1.

The broken lines shown in the figures represent portions of the toy work bench that form no part of the claimed design.

1 Claim, 5 Drawing Sheets

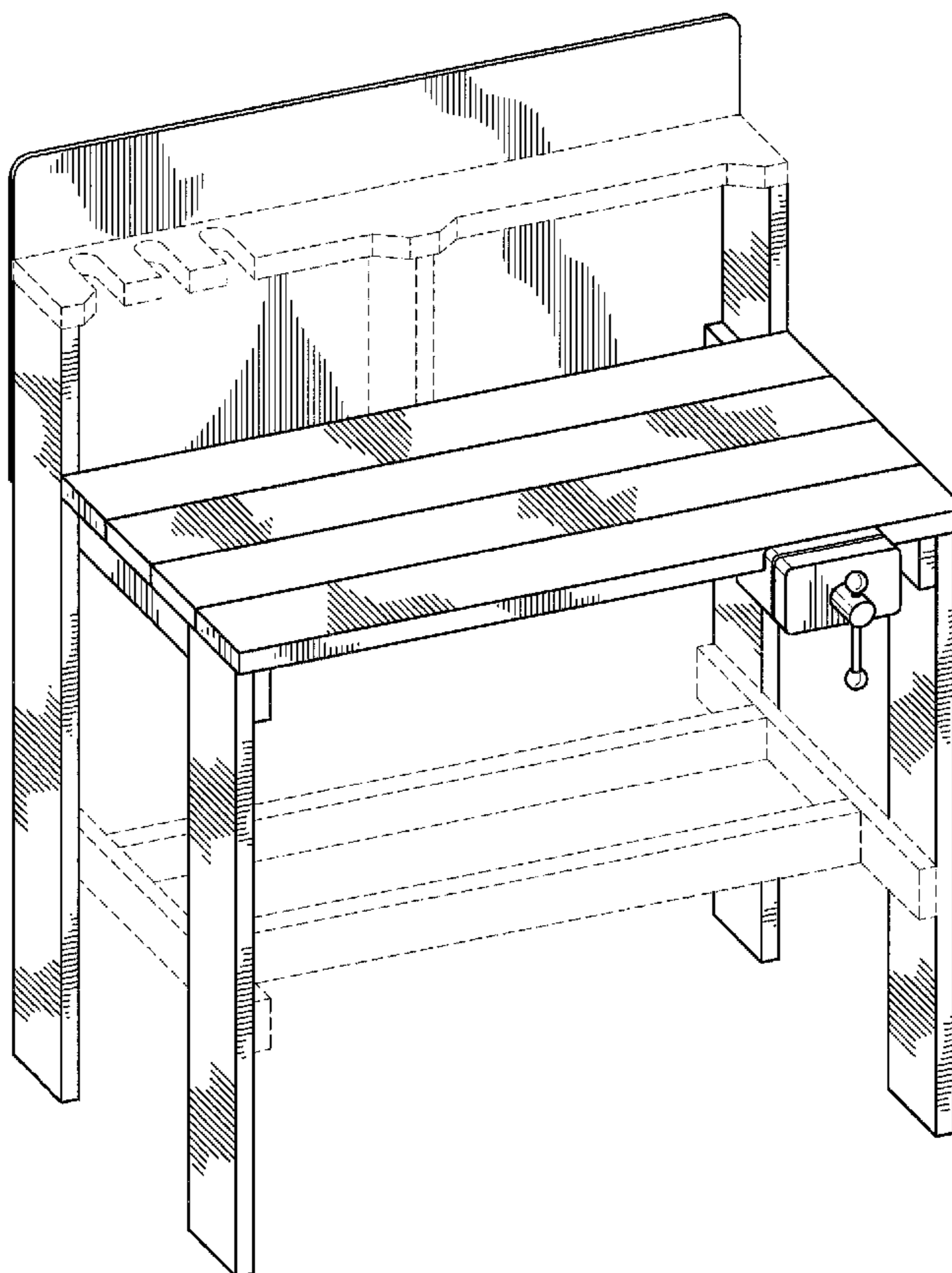


FIG. 1

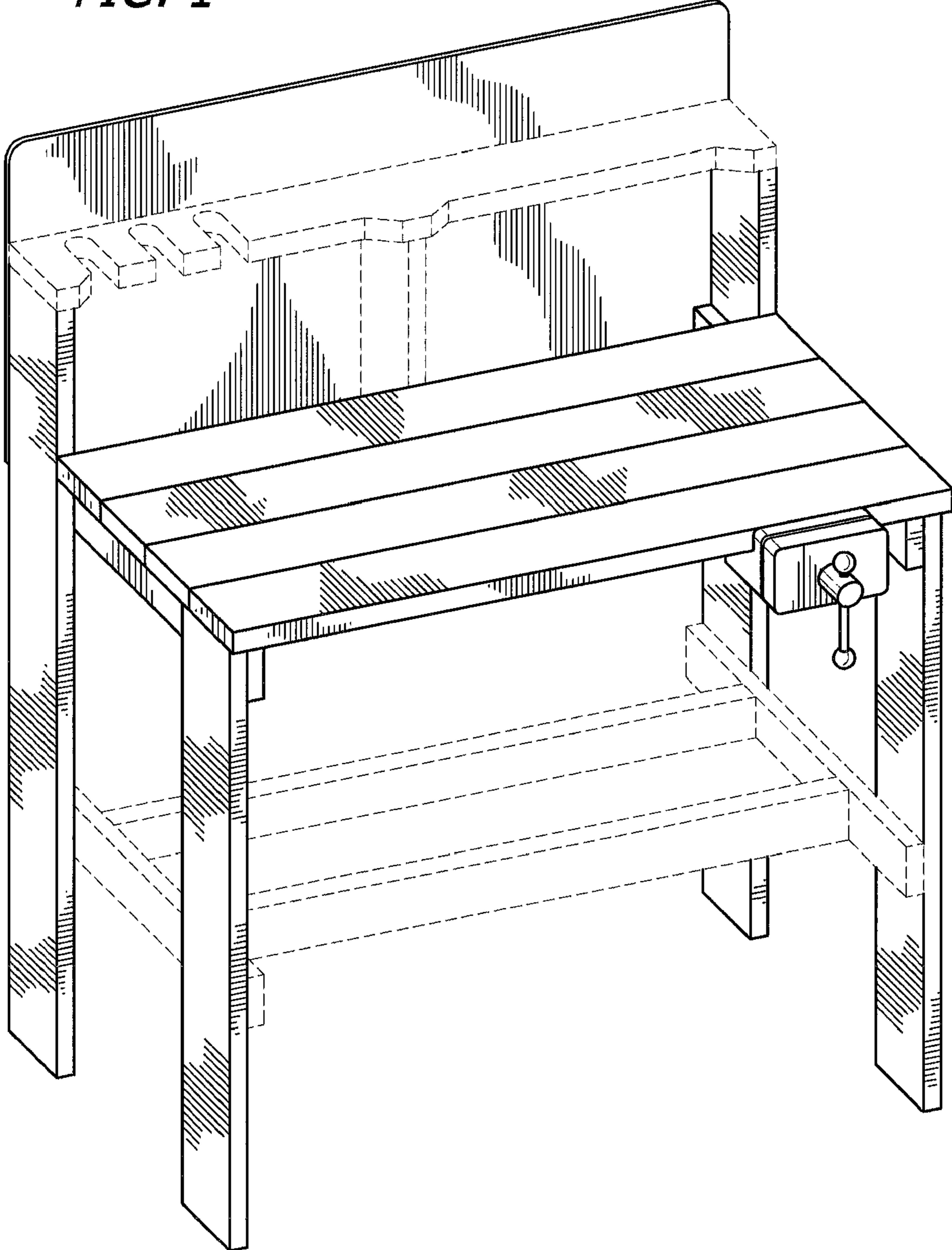


FIG. 2

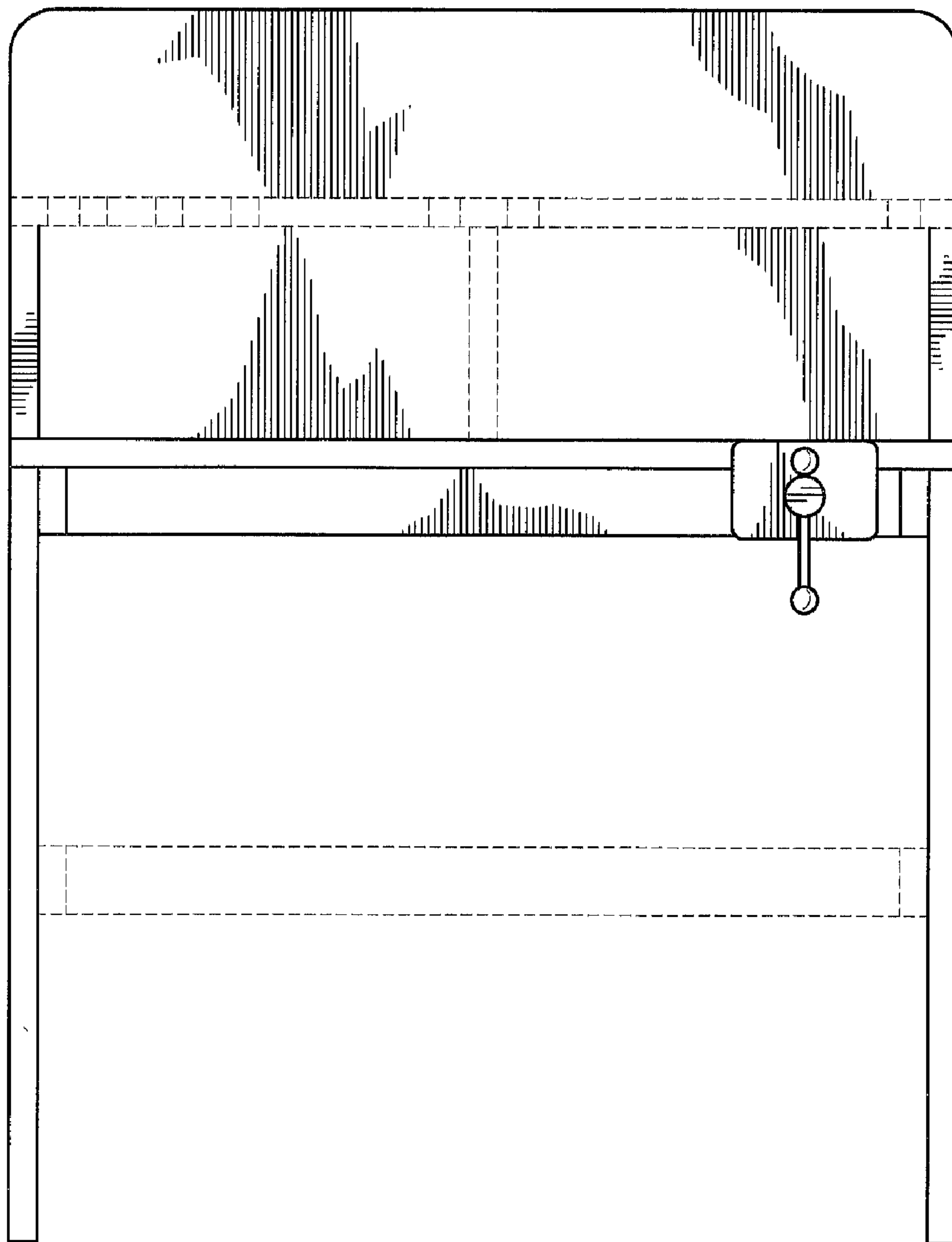


FIG. 3

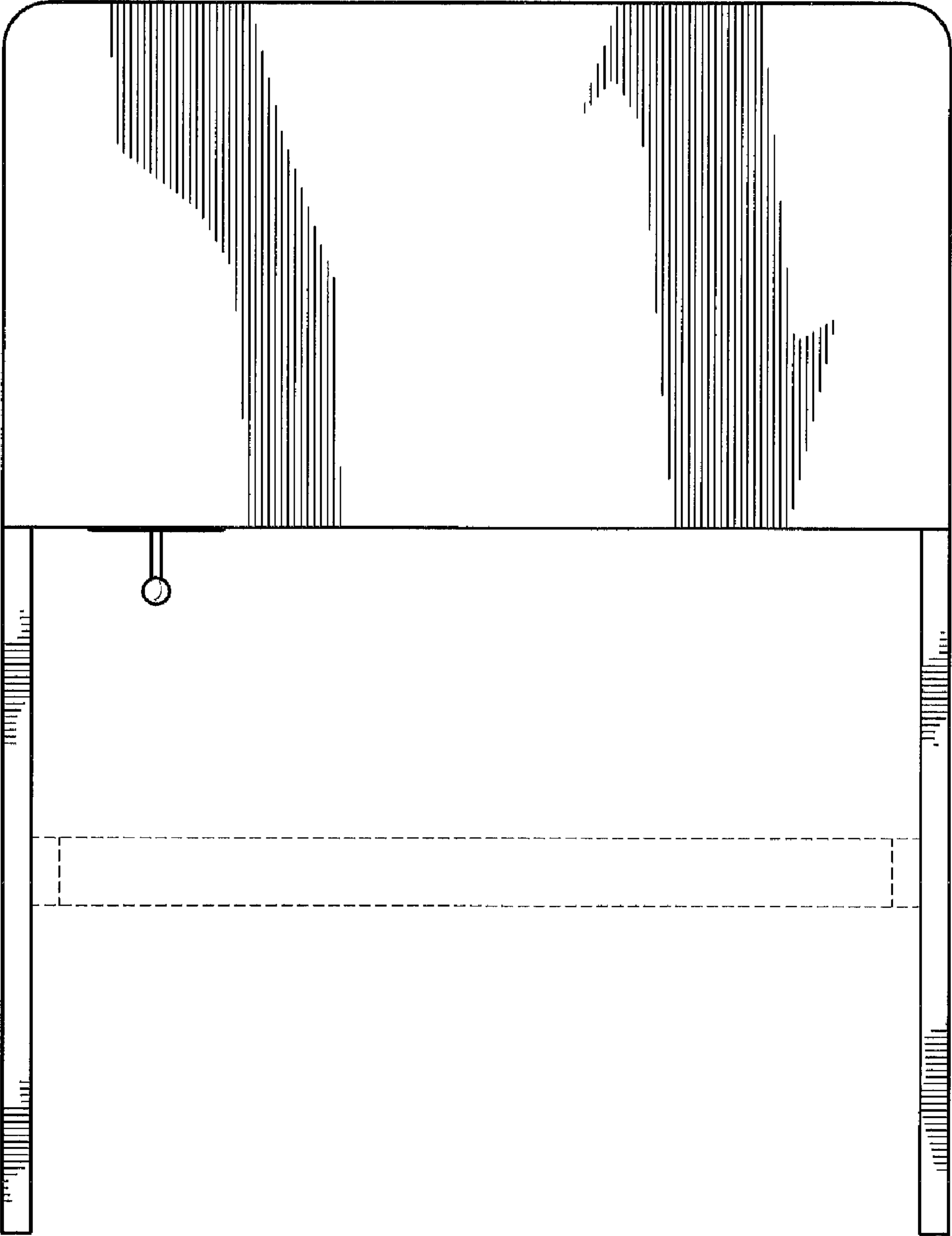


FIG. 4

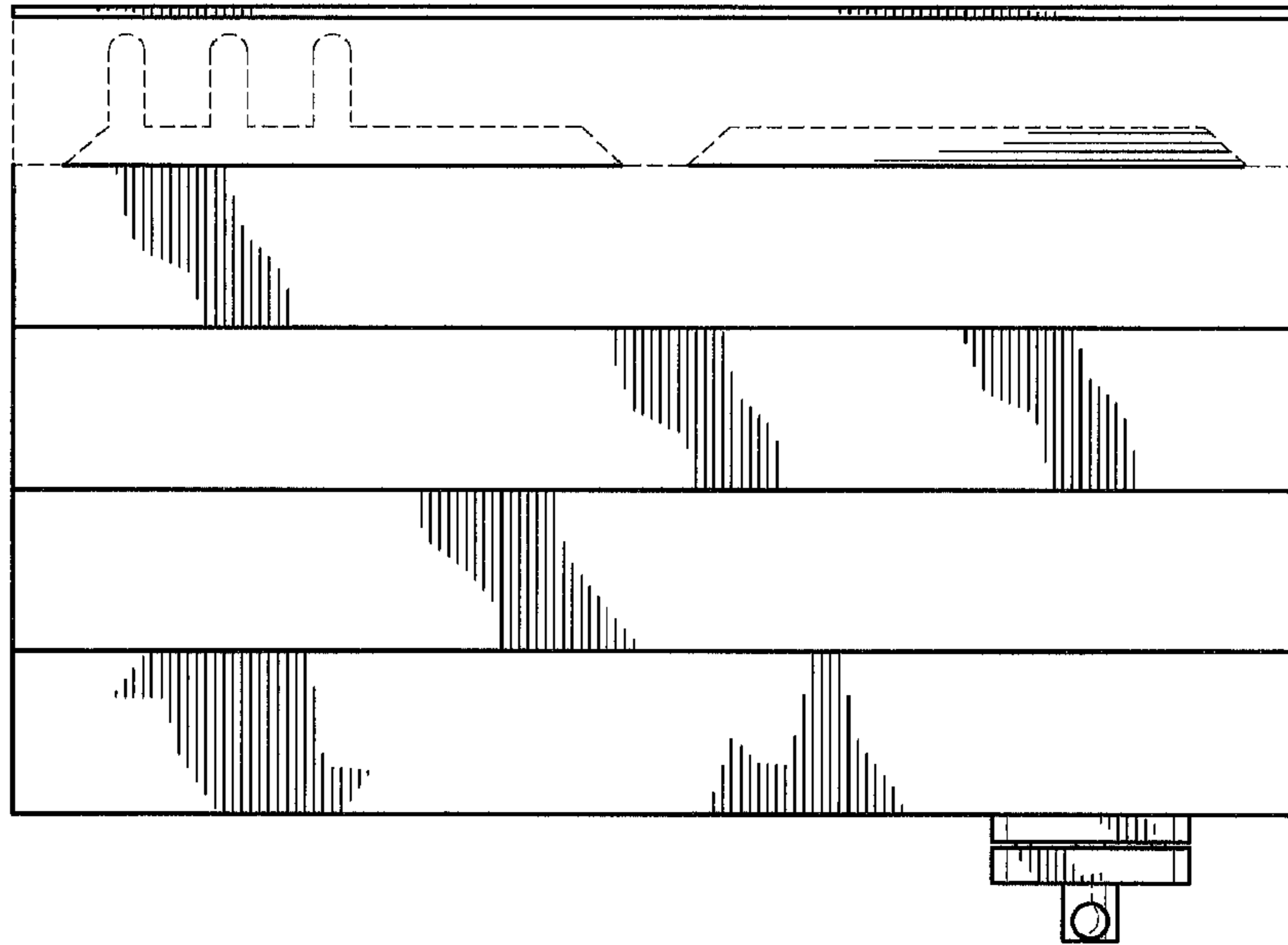
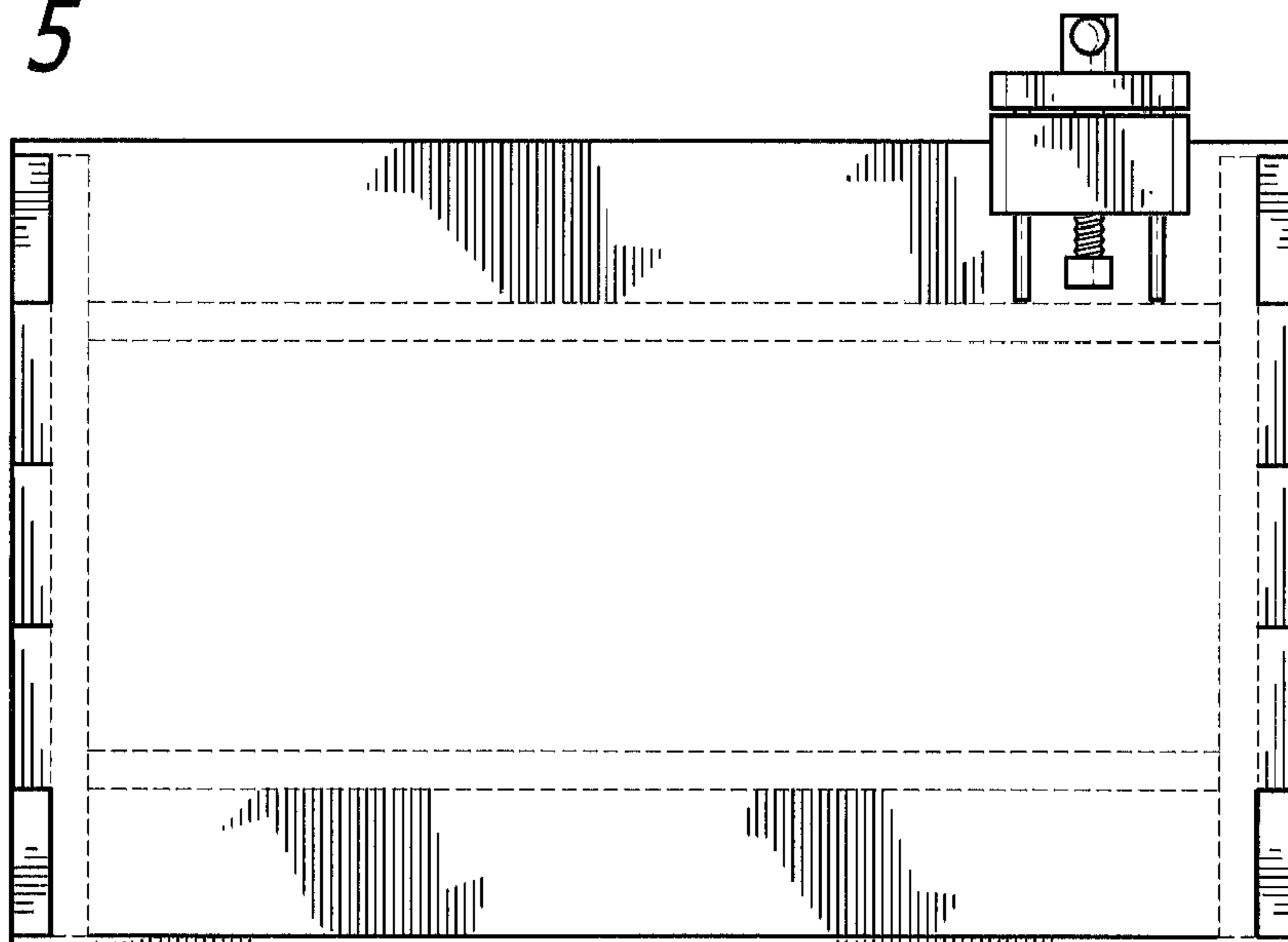


FIG. 5



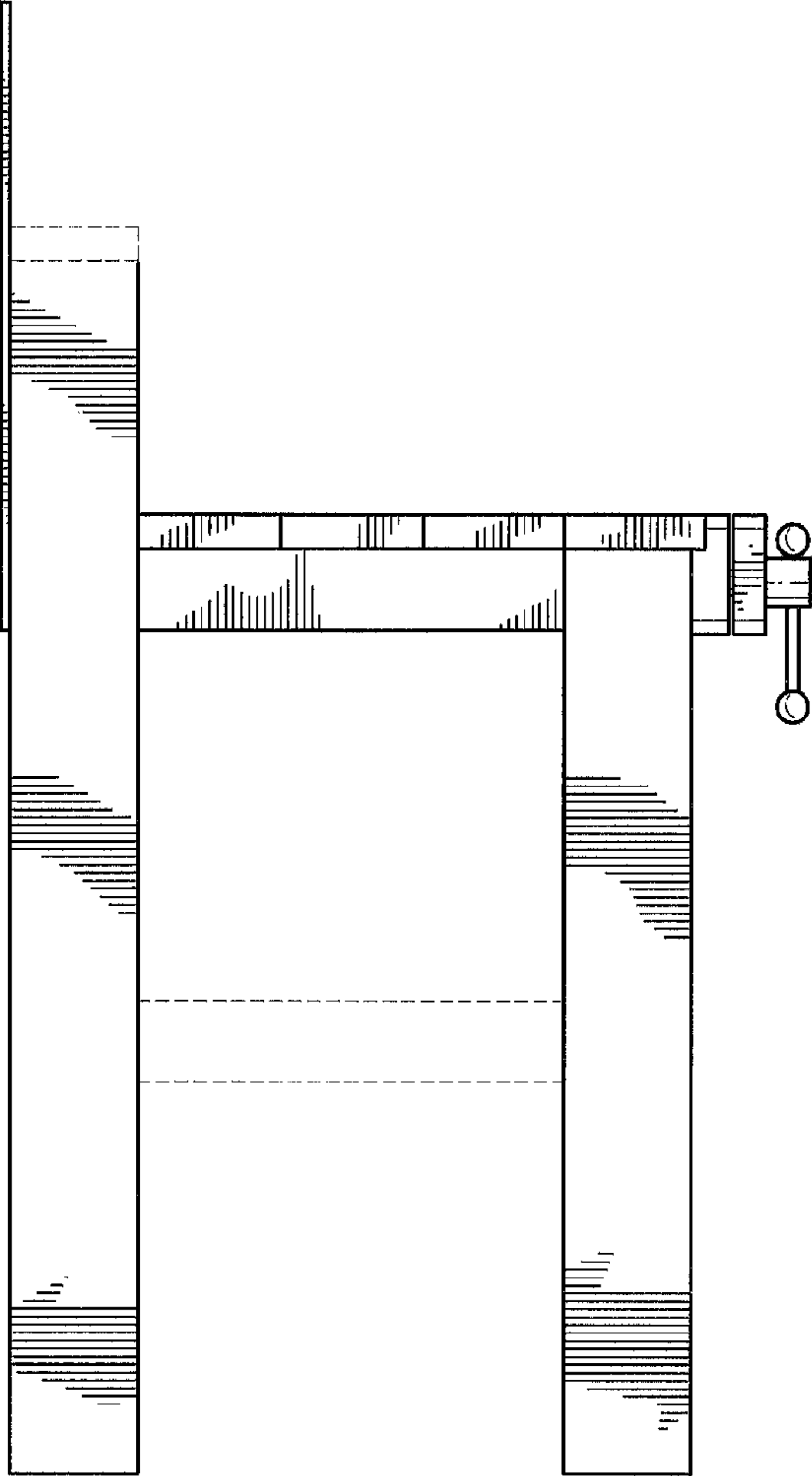


FIG. 6

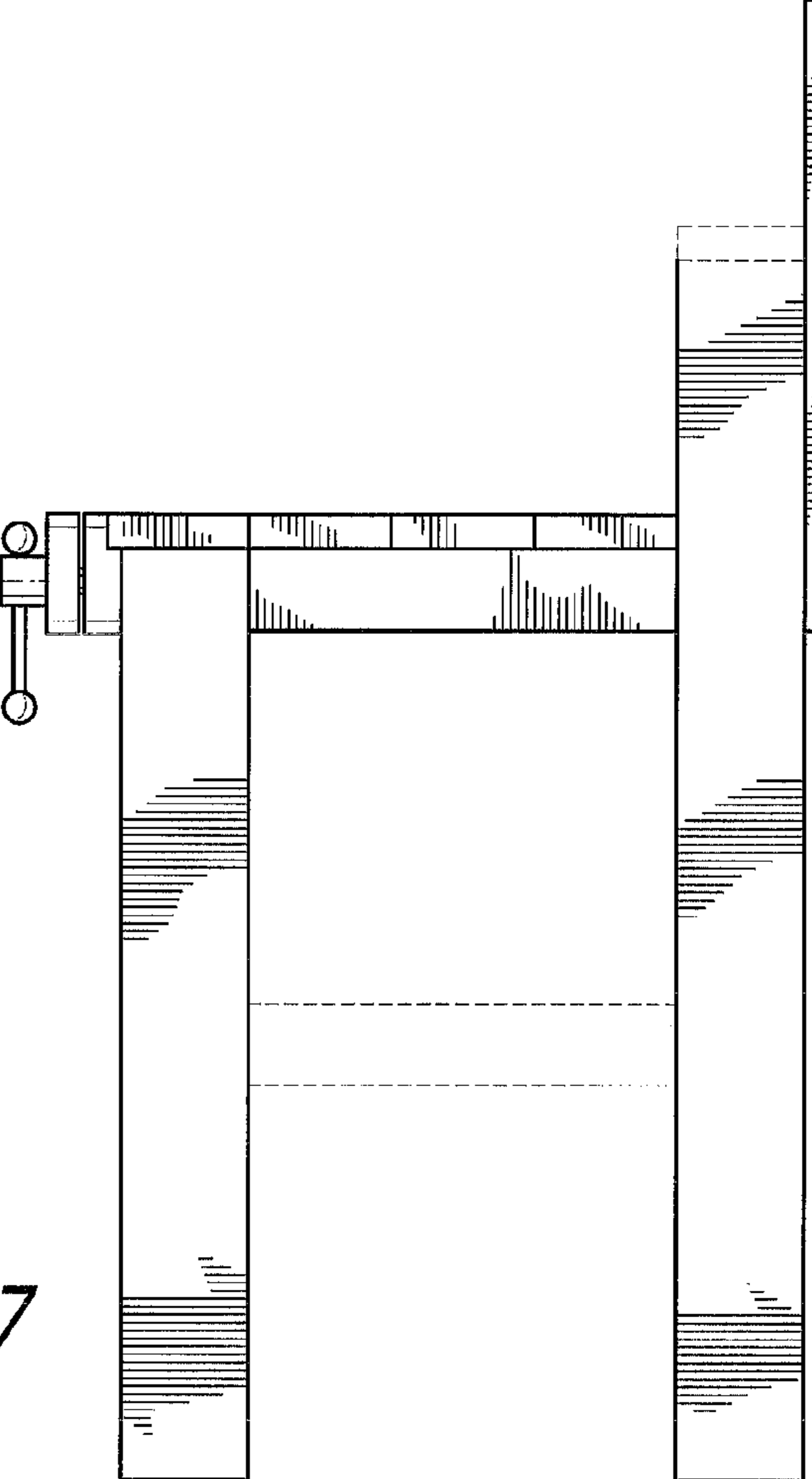


FIG. 7