



US00D676497S

(12) **United States Design Patent**
Mimlitch, III et al.

(10) **Patent No.:** **US D676,497 S**

(45) **Date of Patent:** **** Feb. 19, 2013**

(54) **SECTION FOR USE WITH A TOY PLAYSET**

(75) Inventors: **Robert H. Mimlitch, III**, Rowlett, TX (US); **David A. Norman**, Greenville, TX (US); **Douglas Galletti**, Allen, TX (US); **Gregory Lavender**, Rockwall, TX (US); **Brian Richard Delaney**, Rockwall, TX (US); **Raul Olivera**, Greenville, TX (US)

(73) Assignee: **Innovation First, Inc.**, Greenville, TX (US)

(**) Term: **14 Years**

(21) Appl. No.: **29/411,349**

(22) Filed: **Jan. 19, 2012**

(51) **LOC (9) Cl.** **21-01**

(52) **U.S. Cl.** **D21/491; D21/501**

(58) **Field of Classification Search** D21/484, D21/485, 486, 489, 491, 494, 499, 500, 501, D21/503, 504; D25/113, 114, 115, 116, D25/118; 446/69, 85, 102-128; 434/208, 434/259, 403; 273/153, 156, 160; D9/732; 428/174

See application file for complete search history.

(56) **References Cited**

U.S. PATENT DOCUMENTS

D33,317 S * 10/1900 Lafferty D25/116
D68,612 S * 11/1925 Branciforti D25/116

D252,951 S * 9/1979 Schuring D25/113
D304,469 S * 11/1989 Kovesdi D21/489
D378,423 S * 3/1997 Henry D25/116
D387,397 S * 12/1997 Zheng D21/489
D396,499 S * 7/1998 Larws D21/484
D415,576 S * 10/1999 Scales D25/114
D611,551 S * 3/2010 Julich D21/489

* cited by examiner

Primary Examiner — Cynthia M Chin

(74) *Attorney, Agent, or Firm* — Adam K. Sacharoff

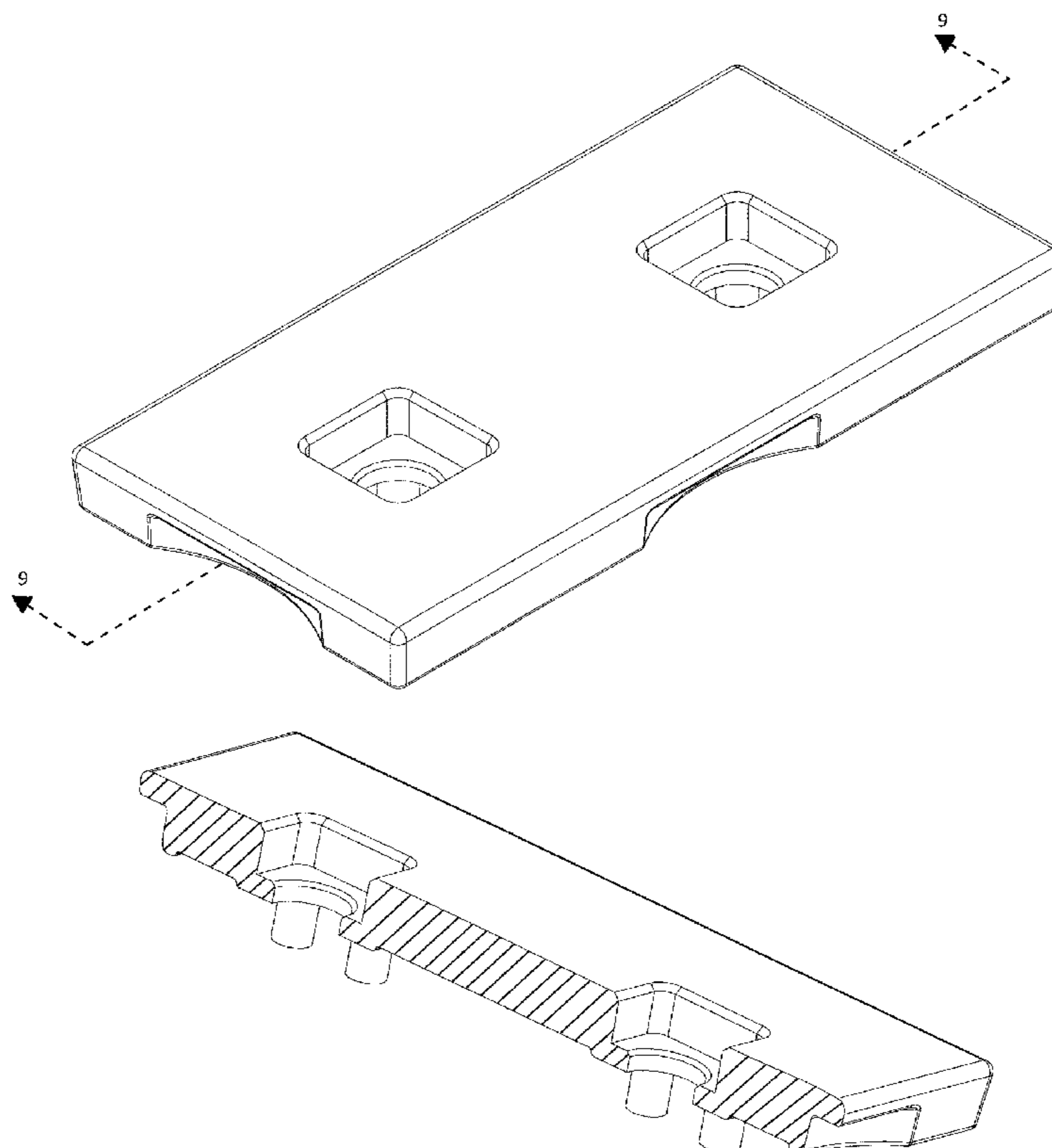
(57) **CLAIM**

The ornamental design for a section for use with a toy playset, as shown and described.

DESCRIPTION

FIG. 1 is a top perspective view showing a first embodiment of the section for use with a toy playset; FIG. 2 is a bottom perspective view of FIG. 1; FIG. 3 is a front side view of FIG. 1; FIG. 4 is a back side view of FIG. 1; FIG. 5 is a right side view of FIG. 1; FIG. 6 is a left side view of FIG. 1; FIG. 7 is a bottom side view of FIG. 1; FIG. 8 is a top side view of FIGS. 1; and, FIG. 9 is a cross section view taken along the line 9-9 in FIG. 1.

1 Claim, 9 Drawing Sheets



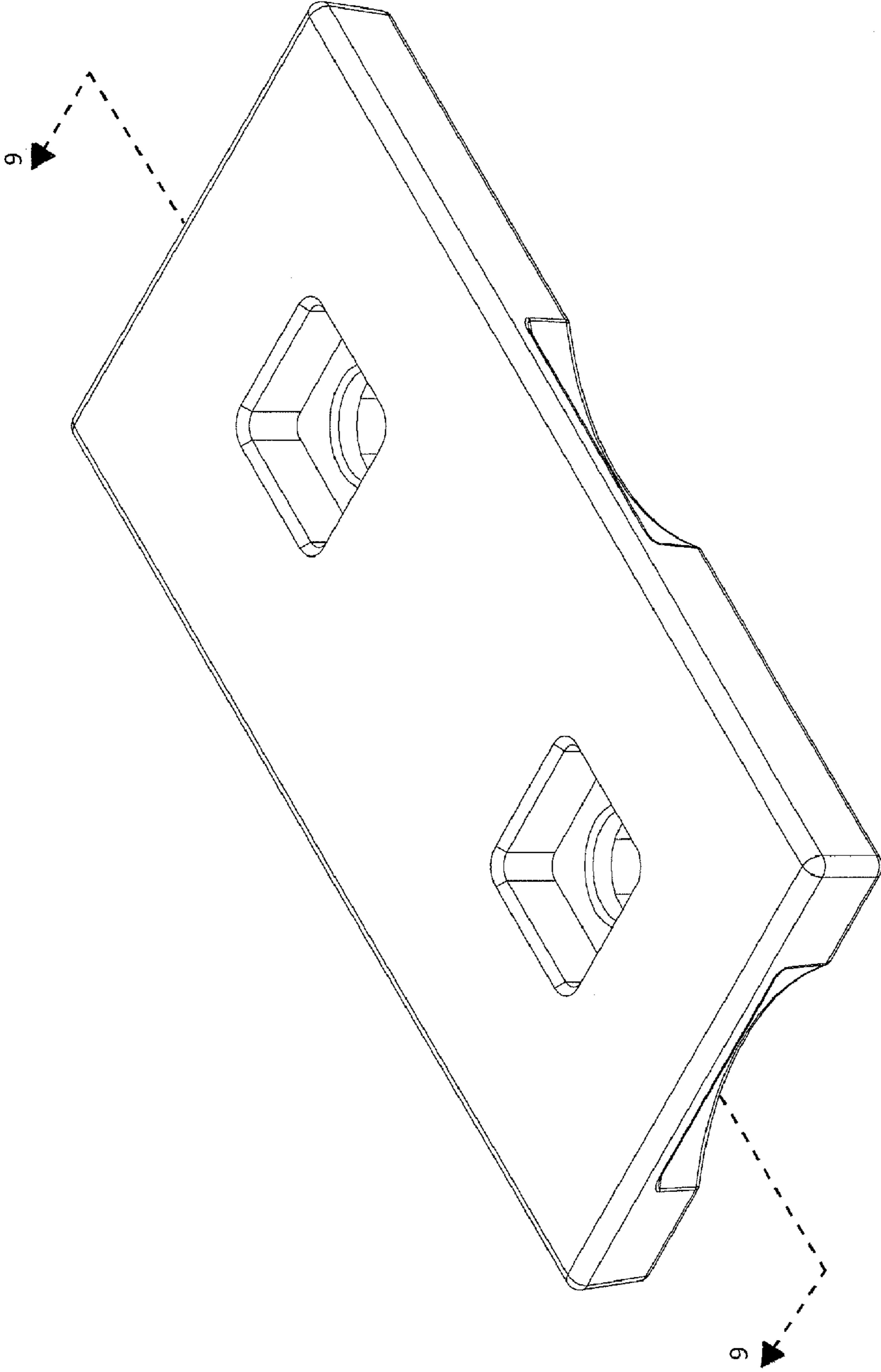


FIGURE 1

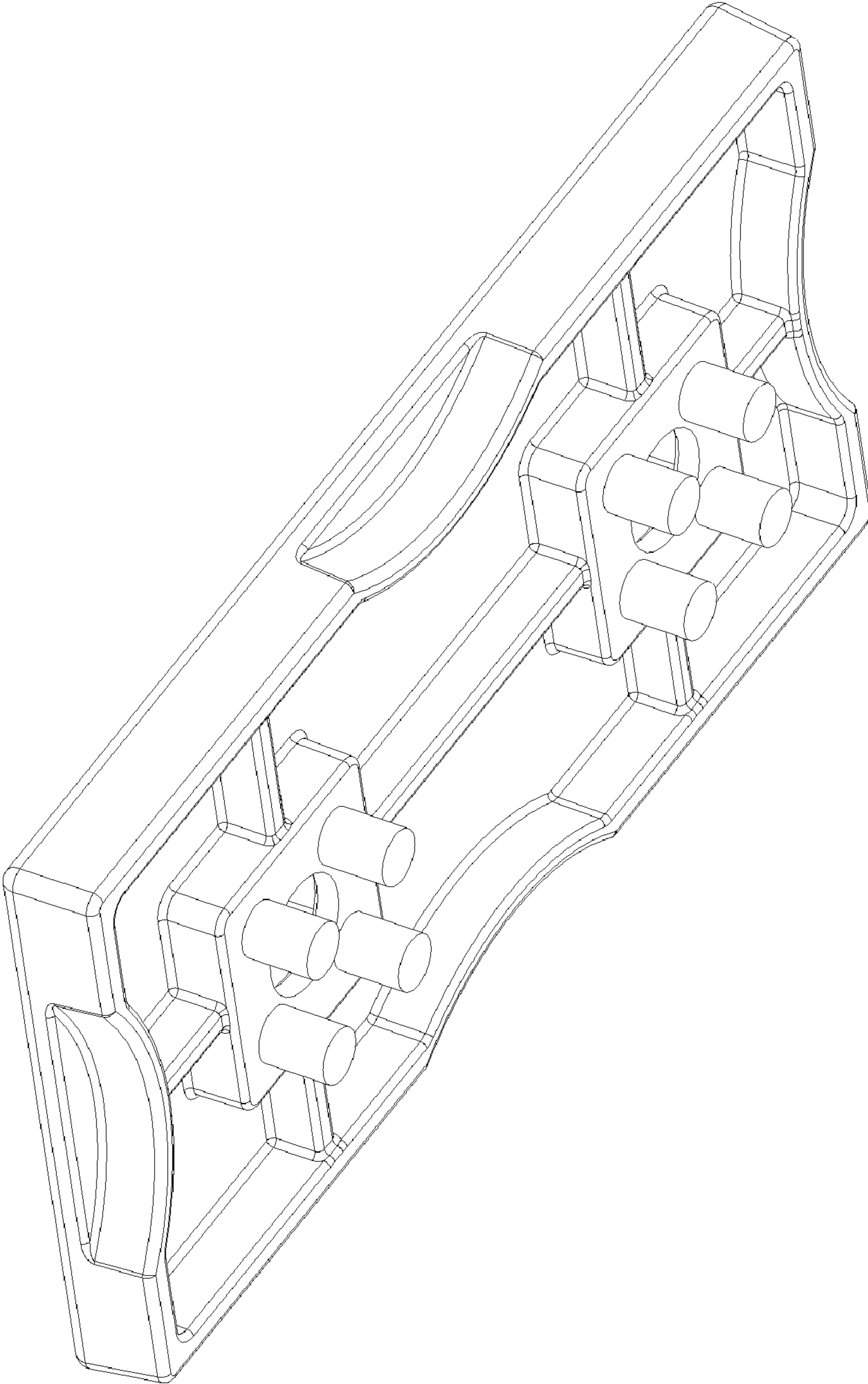


FIGURE 2

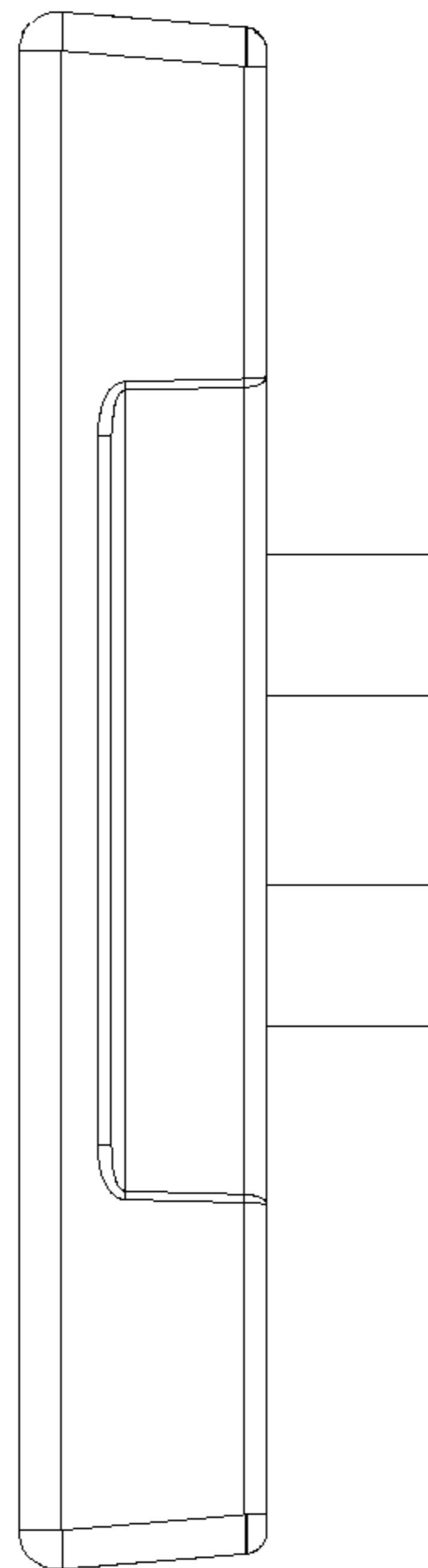


FIGURE 3

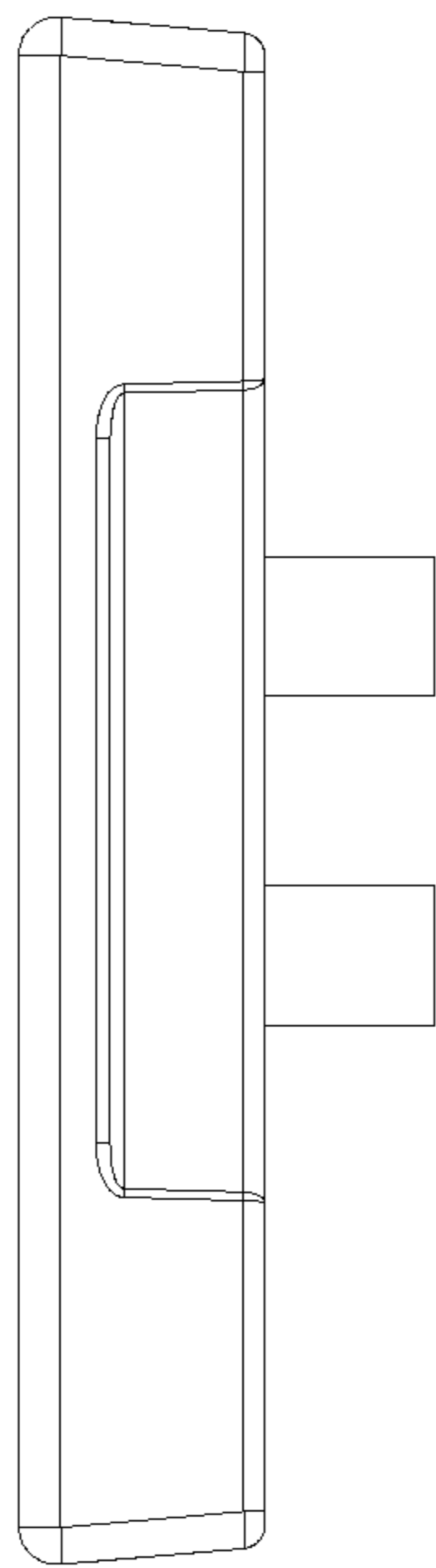


FIGURE 4

FIGURE 5

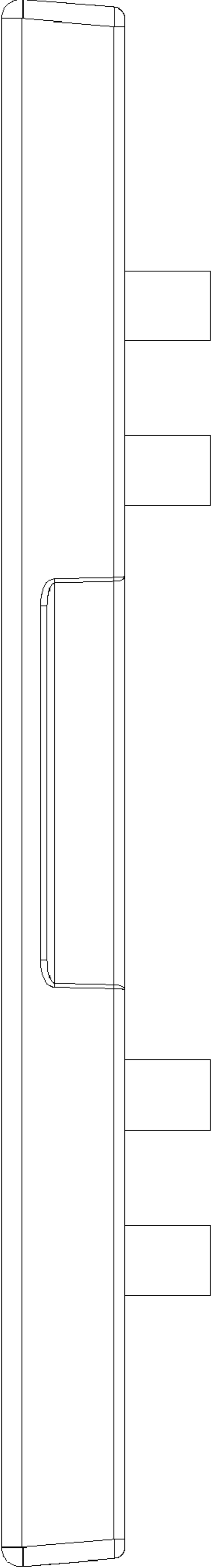
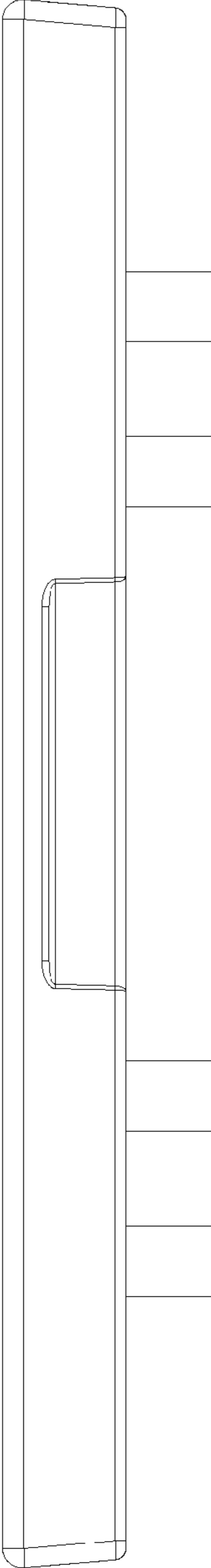


FIGURE 6



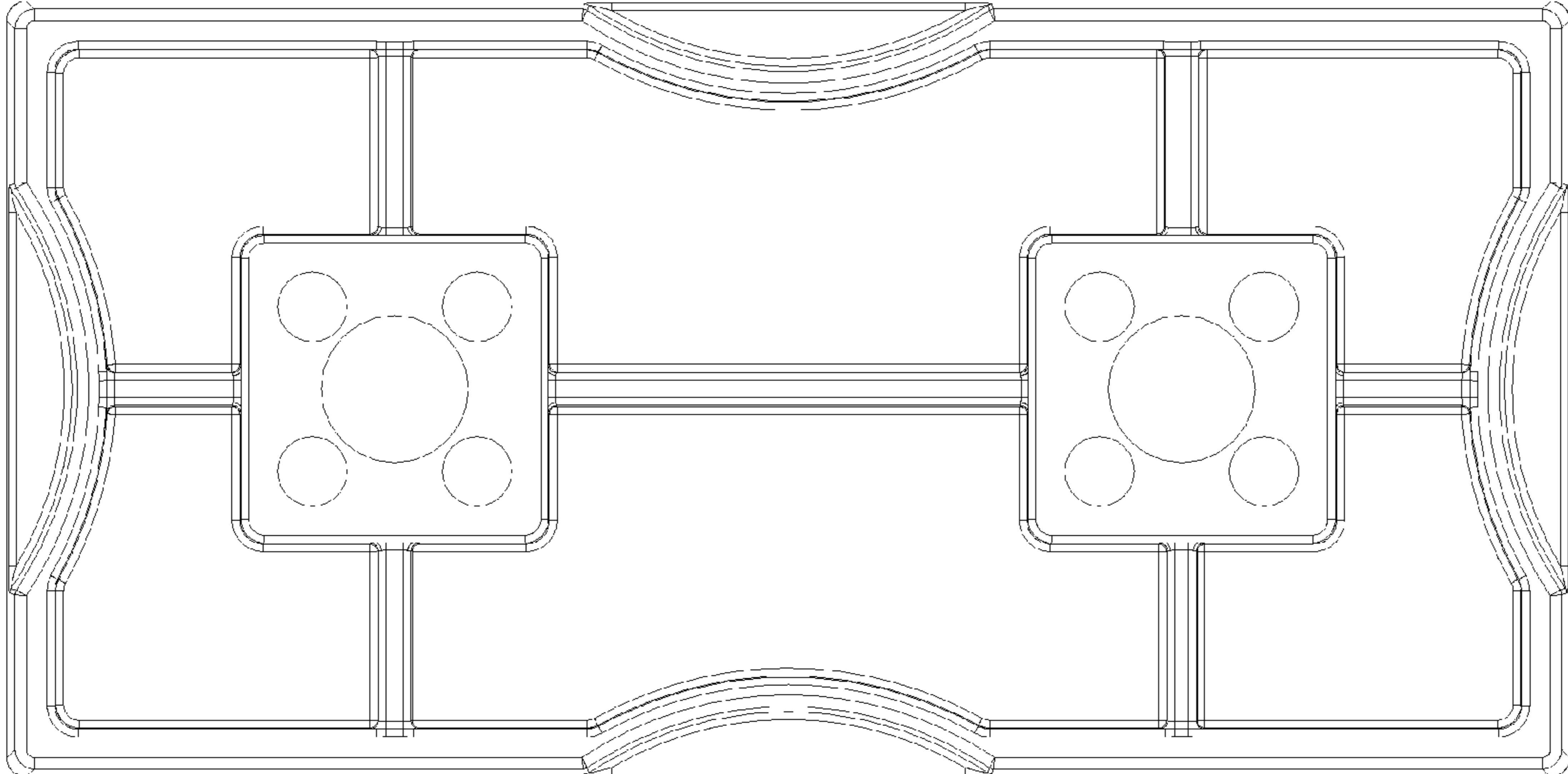


FIGURE 7

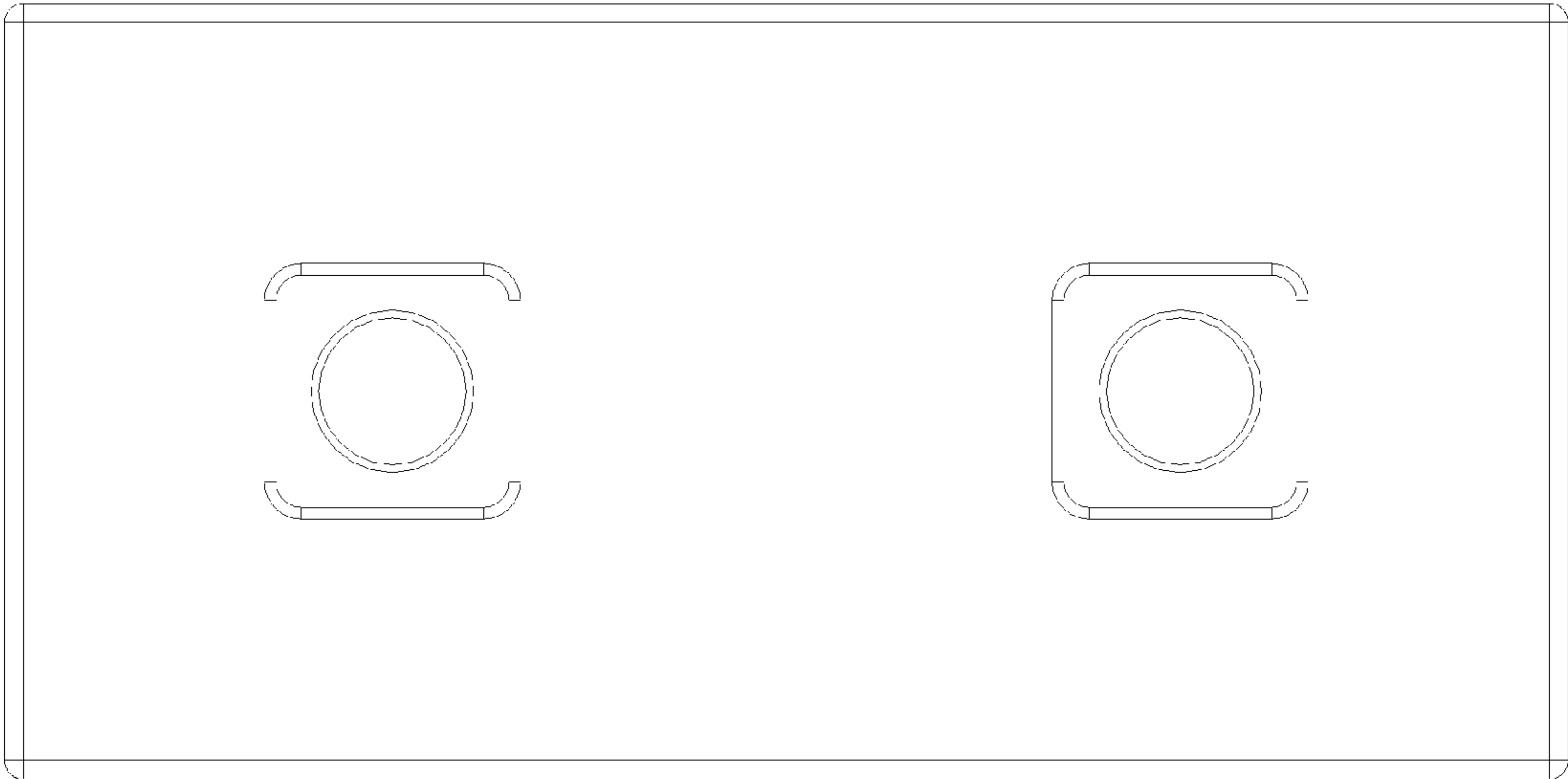


FIGURE 8

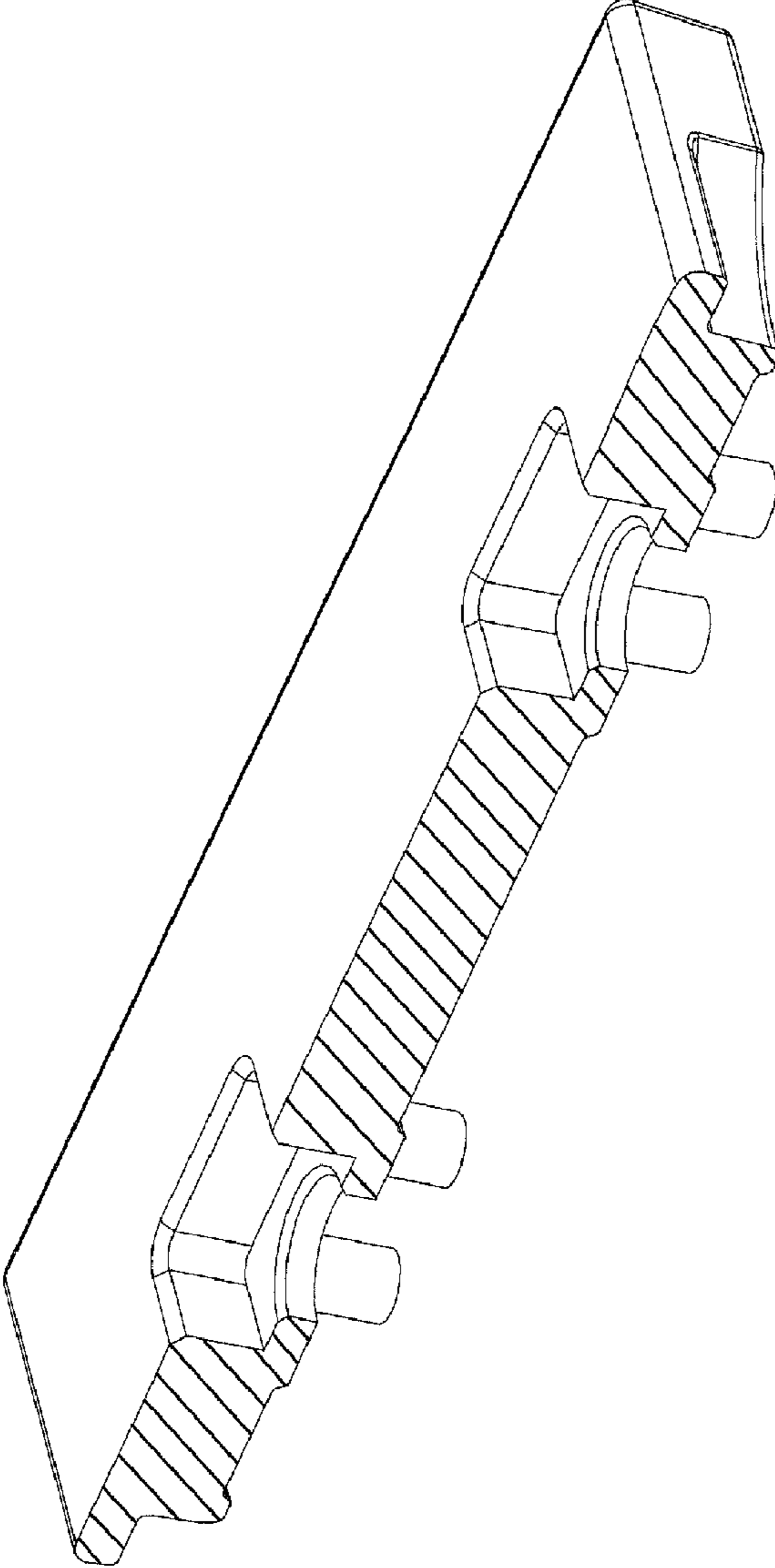


FIGURE 9