



US00D676495S

(12) **United States Design Patent**
Soth

(10) **Patent No.:** **US D676,495 S**

(45) **Date of Patent:** **** Feb. 19, 2013**

(54) **PUSH TOY**

(76) Inventor: **Sophal Soth**, Roslindale, MA (US)

(**) Term: **14 Years**

(21) Appl. No.: **29/418,693**

(22) Filed: **Apr. 19, 2012**

(51) **LOC (9) Cl.** **21-01**

(52) **U.S. Cl.** **D21/421**

(58) **Field of Classification Search** D21/405,
D21/406, 418, 419, 421, 455, 592, 593; 446/218,
446/237, 238, 272, 289, 451, 452, 453
See application file for complete search history.

(56) **References Cited**

U.S. PATENT DOCUMENTS

246,586	A *	9/1881	Adams et al.	446/238
420,709	A *	2/1890	Wallace	446/237
937,523	A *	10/1909	Hanley	446/452
1,526,919	A	2/1925	Lipski	
1,811,934	A	6/1931	Hudson	
2,253,030	A *	8/1941	Jeffries	446/282
D146,955	S *	6/1947	Hill	D21/455
2,647,343	A *	8/1953	Zileri et al.	446/450
2,797,528	A *	7/1957	Gradwohl	446/285
2,879,625	A *	3/1959	Bolger	446/280
3,102,361	A	9/1963	Peninger	

D220,447	S *	4/1971	Bolstridge	D21/421
3,623,264	A *	11/1971	Sapienza	446/451
4,016,675	A *	4/1977	Drucker	446/451
D256,381	S *	8/1980	Harwood	D21/405
4,292,759	A *	10/1981	Nagode	446/289
D270,743	S *	9/1983	Fields	D21/421
4,479,328	A	10/1984	Klawitter	
D344,105	S *	2/1994	Offutt	D21/421
5,288,258	A *	2/1994	Soso	446/218
D409,673	S *	5/1999	Rodriguez, II	D21/421
D479,284	S *	9/2003	Hibbard	D21/406
D505,979	S *	6/2005	Pokorny	D21/455

* cited by examiner

Primary Examiner — Cynthia M Chin

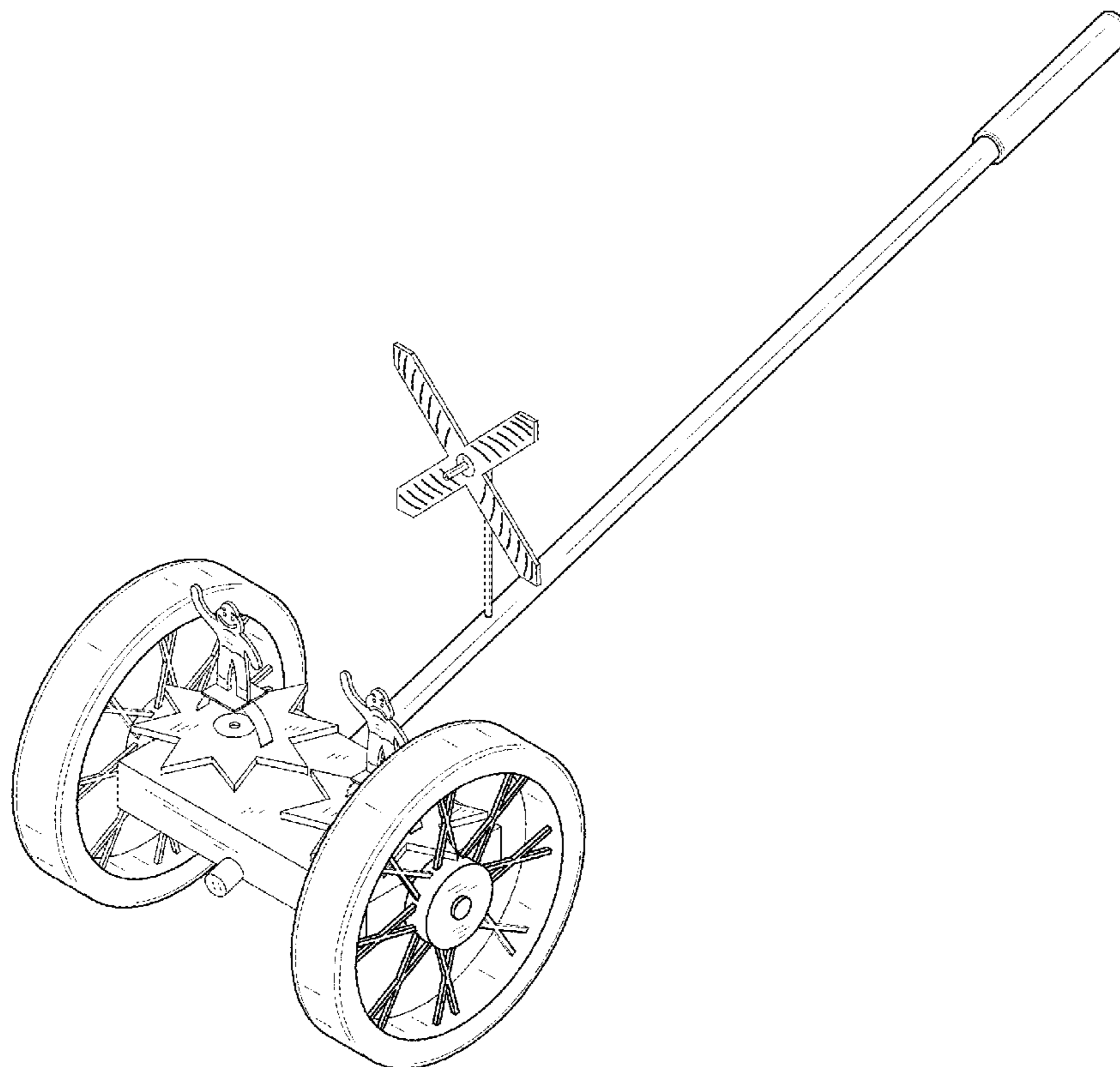
(57) **CLAIM**

The ornamental design for a push toy, as shown and described.

DESCRIPTION

FIG. 1 is a right elevation view of a push toy showing my new design;
FIG. 2 is a left elevation view thereof;
FIG. 3 is a front elevation view thereof;
FIG. 4 is a rear elevation view thereof;
FIG. 5 is top plan view thereof;
FIG. 6 is bottom plan view thereof; and,
FIG. 7 is an isometric view thereof.

1 Claim, 6 Drawing Sheets



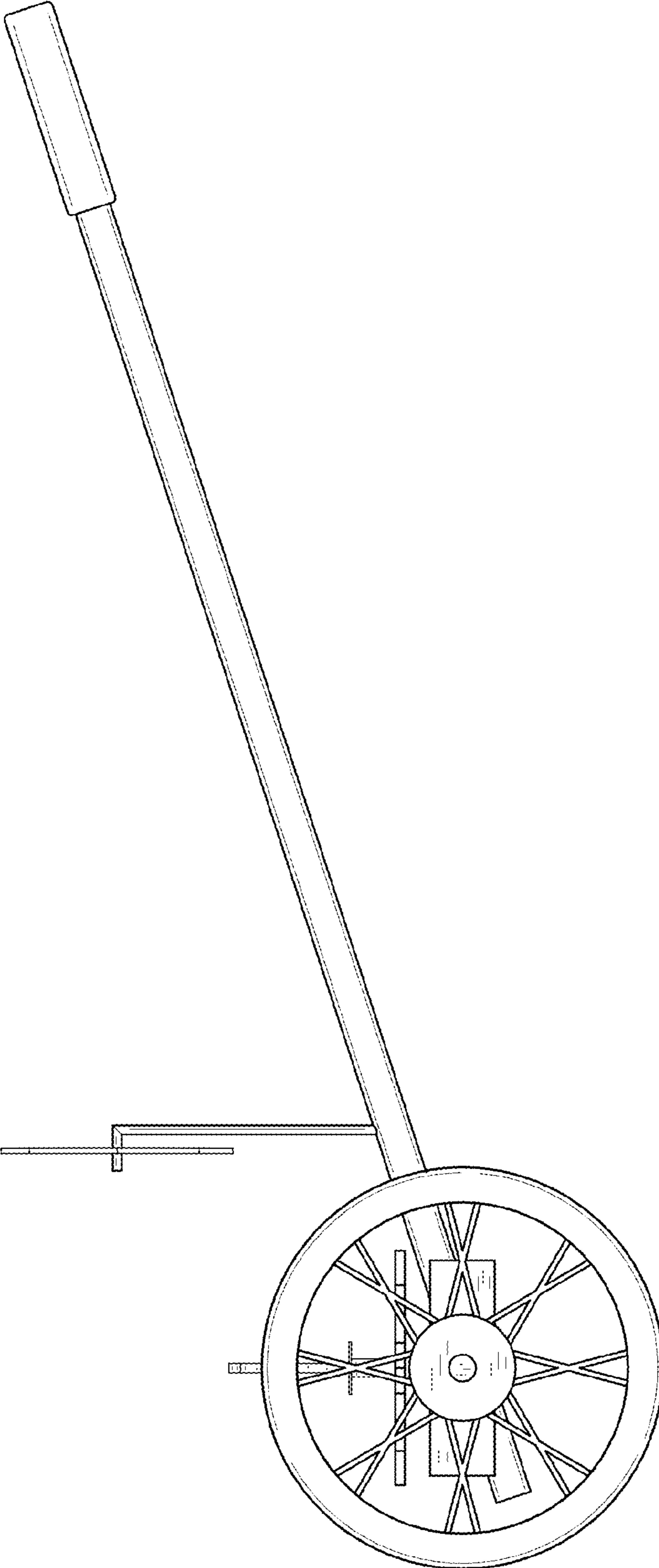


FIG. 1

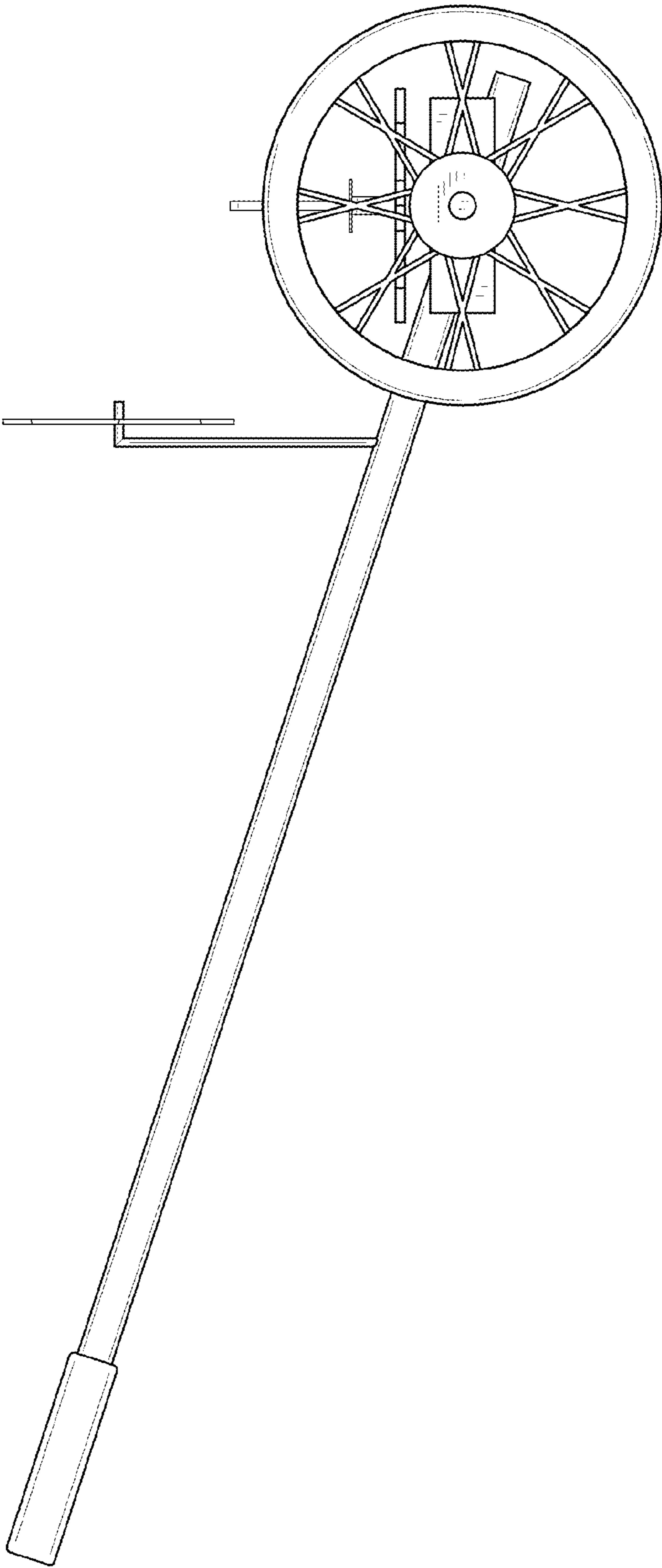


FIG. 2

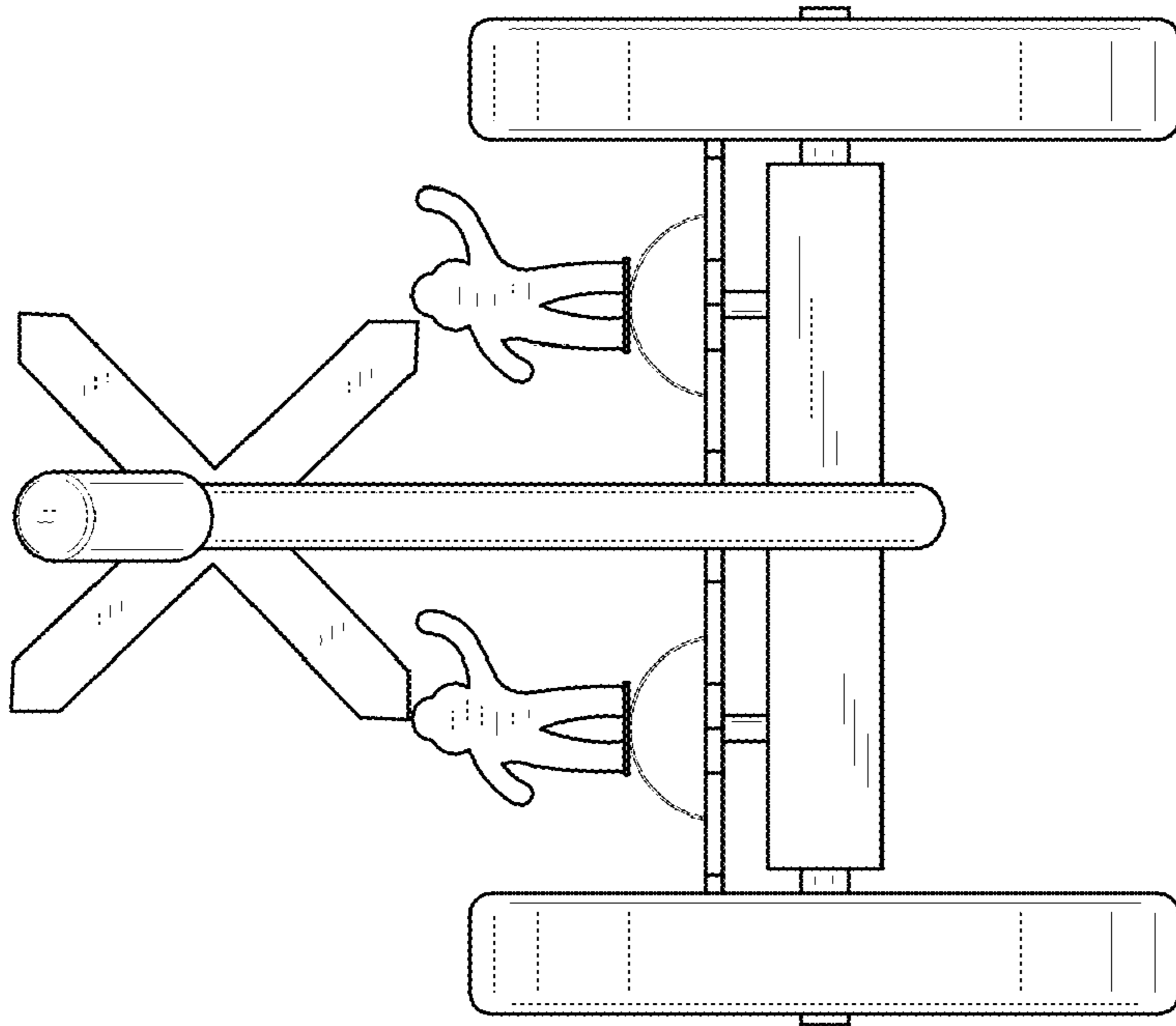


FIG. 4

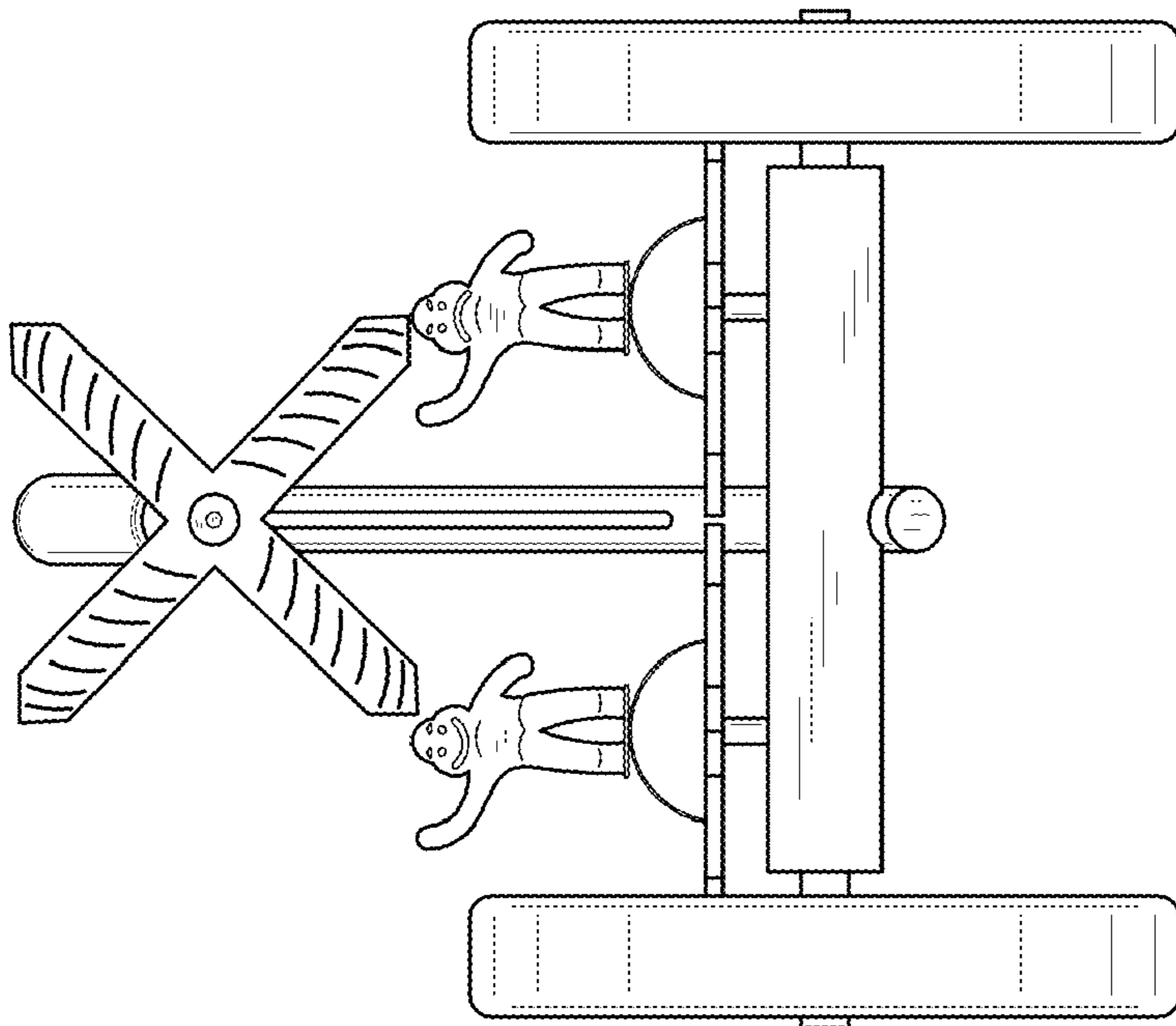


FIG. 3

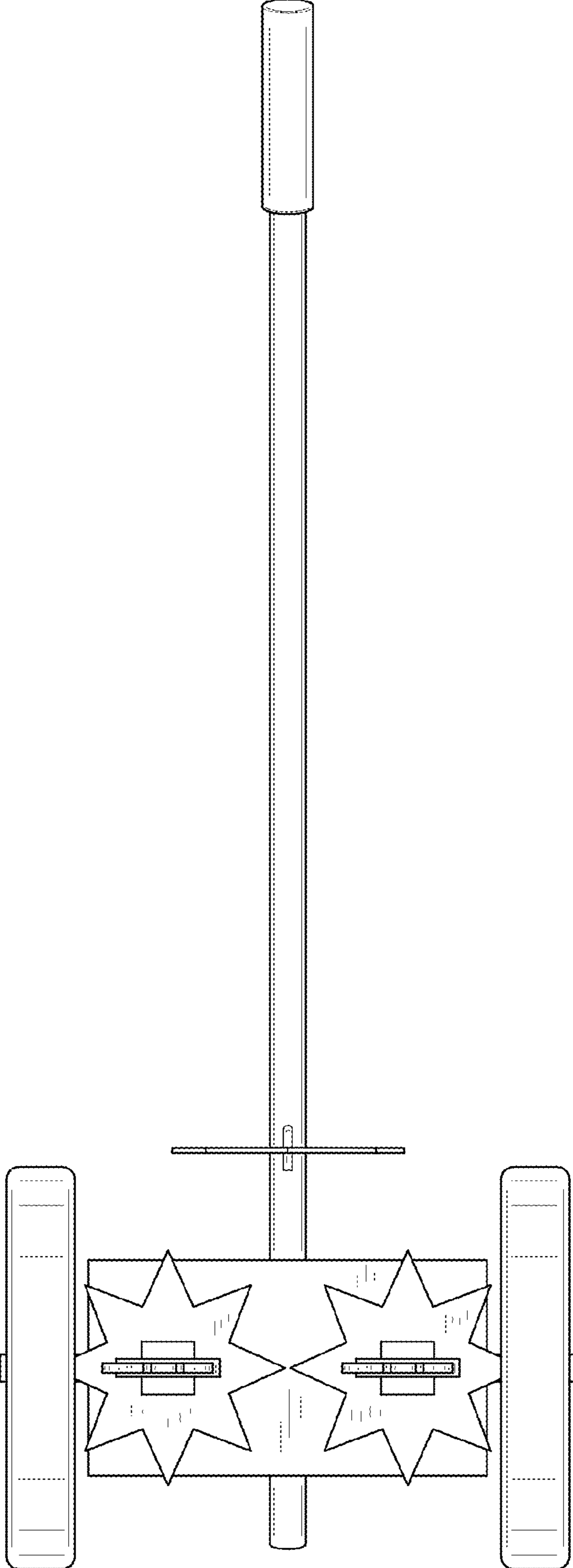


FIG. 5

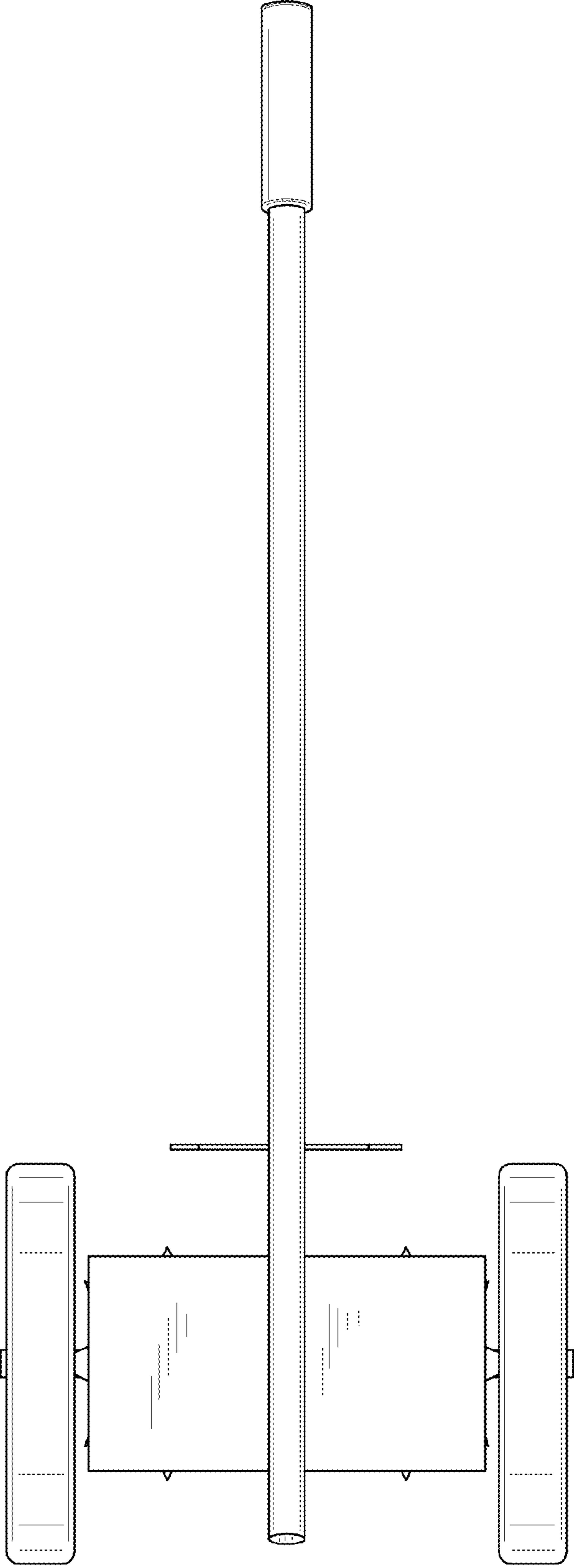


FIG. 6

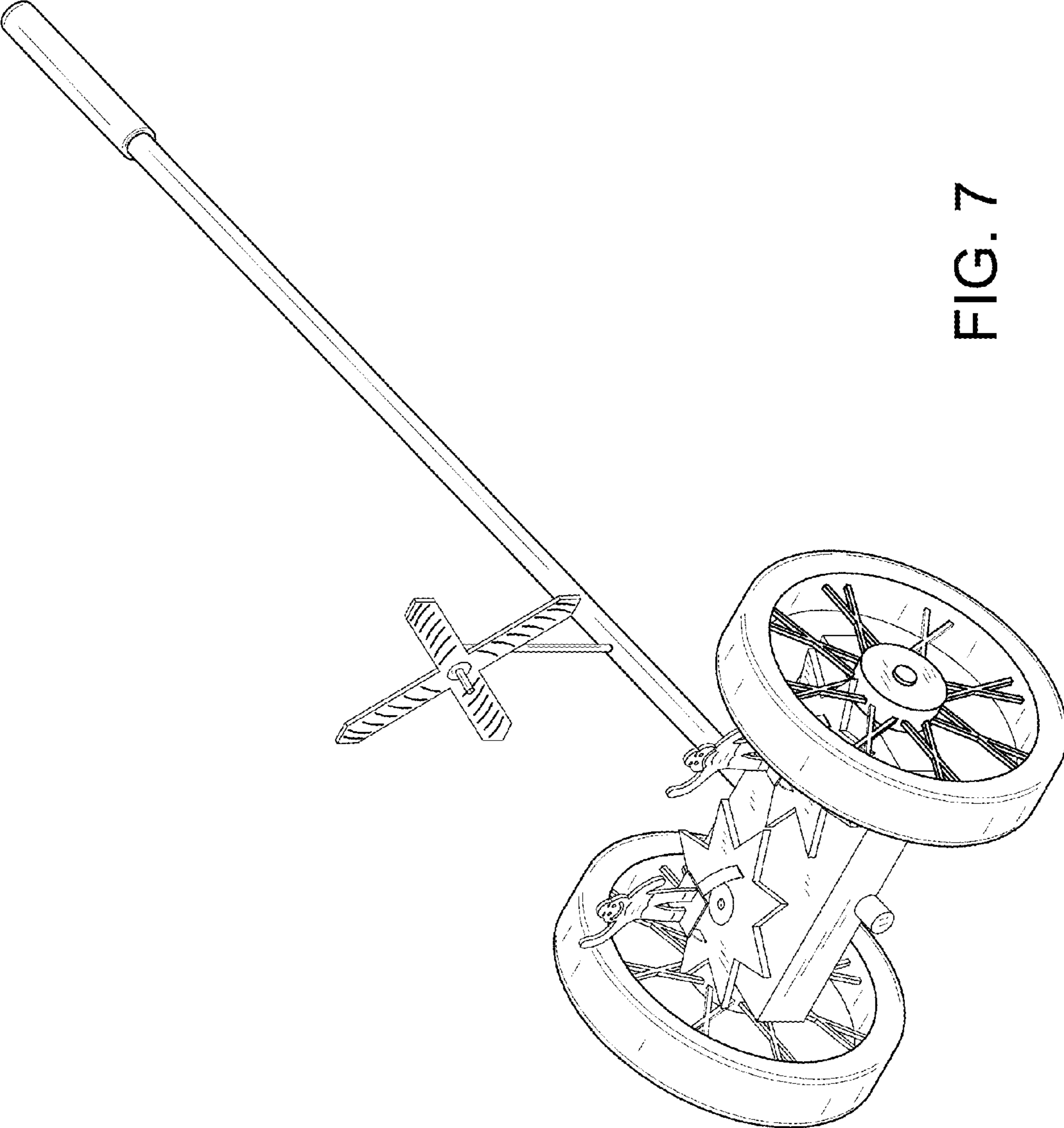


FIG. 7