



US00D676491S

(12) **United States Design Patent**  
**Bengyak**

(10) **Patent No.:** **US D676,491 S**

(45) **Date of Patent:** **\*\* Feb. 19, 2013**

(54) **HAND SIGN**

*Primary Examiner* — Mary Ann Calabrese

(76) Inventor: **Christopher Edward Bengyak**, Vero Beach, FL (US)

(57) **CLAIM**

The ornamental design for a hand sign, as shown and described.

(\*\*) Term: **14 Years**

(21) Appl. No.: **29/421,081**

**DESCRIPTION**

(22) Filed: **May 17, 2012**

(51) **LOC (9) Cl.** ..... **20-03**

(52) **U.S. Cl.** ..... **D20/33**; D20/29

(58) **Field of Classification Search** ..... D20/10,  
D20/19, 29-33, 35, 36, 99; 40/446, 538,  
40/541, 584, 586; D2/615; D10/109.1, 109.2;  
D11/131, 158, 159; D21/400

See application file for complete search history.

FIG. 1 is a right-side elevational view of a first embodiment of a left-hand hand sign according to the invention;

FIG. 2 is a left-side elevational view of the left-hand hand sign of FIG. 1;

FIG. 3 is a rear elevational view of the left-hand hand sign of FIG. 1;

FIG. 4 is a front elevational view of the left-hand hand sign of FIG. 1;

FIG. 5 is a top plan view of the left-hand hand sign of FIG. 1;

FIG. 6 is a bottom plan view of the left-hand hand sign of FIG. 1;

FIG. 7 is a perspective view from below the rear of the left side of the left-hand hand sign of FIG. 2;

FIG. 8 is a perspective view from above the front of the left side of the left-hand hand sign of FIG. 2;

FIG. 9 is a left-side elevational view of a second embodiment of a right-hand hand sign according to the invention;

FIG. 10 is a right-side elevational view of the right-hand hand sign of FIG. 9;

FIG. 11 is a reduced scale front elevational view of the right-hand hand sign of FIG. 9;

FIG. 12 is a reduced scale rear elevational view of the right-hand hand sign of FIG. 9;

FIG. 13 is a top plan view of the right-hand hand sign of FIG. 9;

FIG. 14 is a bottom plan view of the right-hand hand sign of FIG. 9;

FIG. 15 is a perspective view from below the rear of the left side of the right-hand hand sign of FIG. 10; and,

FIG. 16 is a perspective view from above the front of the left side of the right-hand hand sign of FIG. 10.

The stylized letter 'G' is a registered trademark owned by University of Georgia Athletic Association, Inc. Corporation Georgia P.O. BO X 1472 Athens Georgia 306031472.

(56) **References Cited**

U.S. PATENT DOCUMENTS

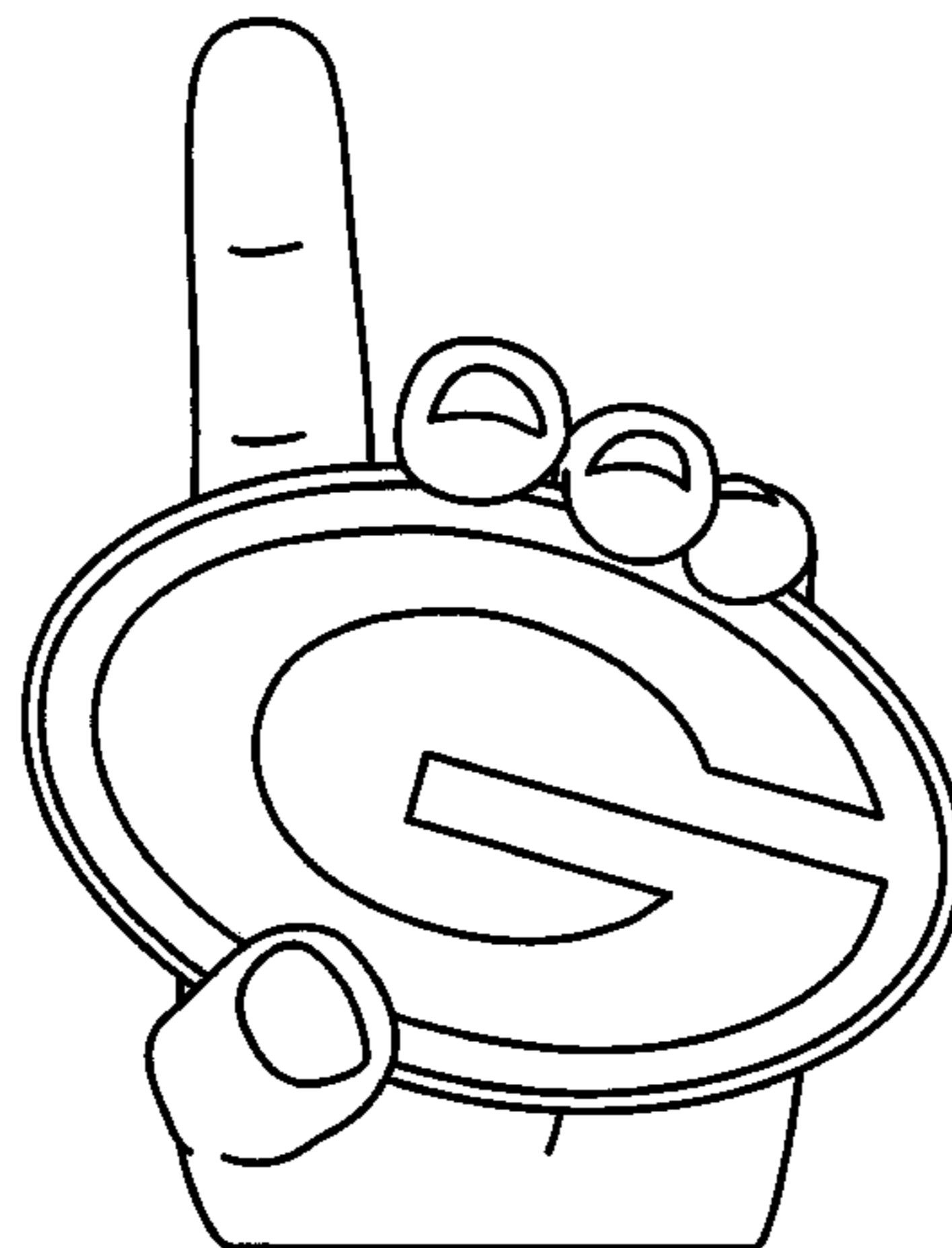
|           |    |   |        |               |       |           |
|-----------|----|---|--------|---------------|-------|-----------|
| D295,640  | S  | * | 5/1988 | Breault       | ..... | D10/109.1 |
| D360,653  | S  | * | 7/1995 | McKee         | ..... | D20/33    |
| D429,285  | S  | * | 8/2000 | Schini        | ..... | D20/32    |
| D622,775  | S  | * | 8/2010 | Pryor         | ..... | D20/29    |
| D633,945  | S  | * | 3/2011 | Scott         | ..... | D20/33    |
| D633,946  | S  | * | 3/2011 | Scott         | ..... | D20/33    |
| D641,791  | S  | * | 7/2011 | Scott         | ..... | D20/33    |
| 8,141,281 | B2 | * | 3/2012 | Sample et al. | ..... | 40/586    |
| D663,361  | S  | * | 7/2012 | Bengyak       | ..... | D20/29    |
| D663,782  | S  | * | 7/2012 | Bengyak       | ..... | D20/29    |
| D664,207  | S  | * | 7/2012 | Bengyak       | ..... | D20/29    |
| D664,597  | S  | * | 7/2012 | Bengyak       | ..... | D20/29    |
| D664,598  | S  | * | 7/2012 | Bengyak       | ..... | D20/30    |
| D665,459  | S  | * | 8/2012 | Bengyak       | ..... | D20/29    |

OTHER PUBLICATIONS

University of Georgia "G"—Trademark Registration No. 1286482, Jul. 15, 1984 University of Georgia Athletic Association, Inc. Corporation Georgia Trademark Electronic Service System (TESS).\*  
Greenbay Packers "G"—Trademark Registration No. 3258812, Jul. 03, 2007 Green Bay Packers, Inc. Corporation Wisconsin Trademark Electronic Service System (TESS).\*  
Green Bay Packers Logo (1980 -)—Chris Creamer's sportslogos.net <http://www.sportslogos.net/logo.php?id=dcy03myfhfbki5d7il3> printed from the web on Sep. 26, 2012.\*

\* cited by examiner

**1 Claim, 12 Drawing Sheets**



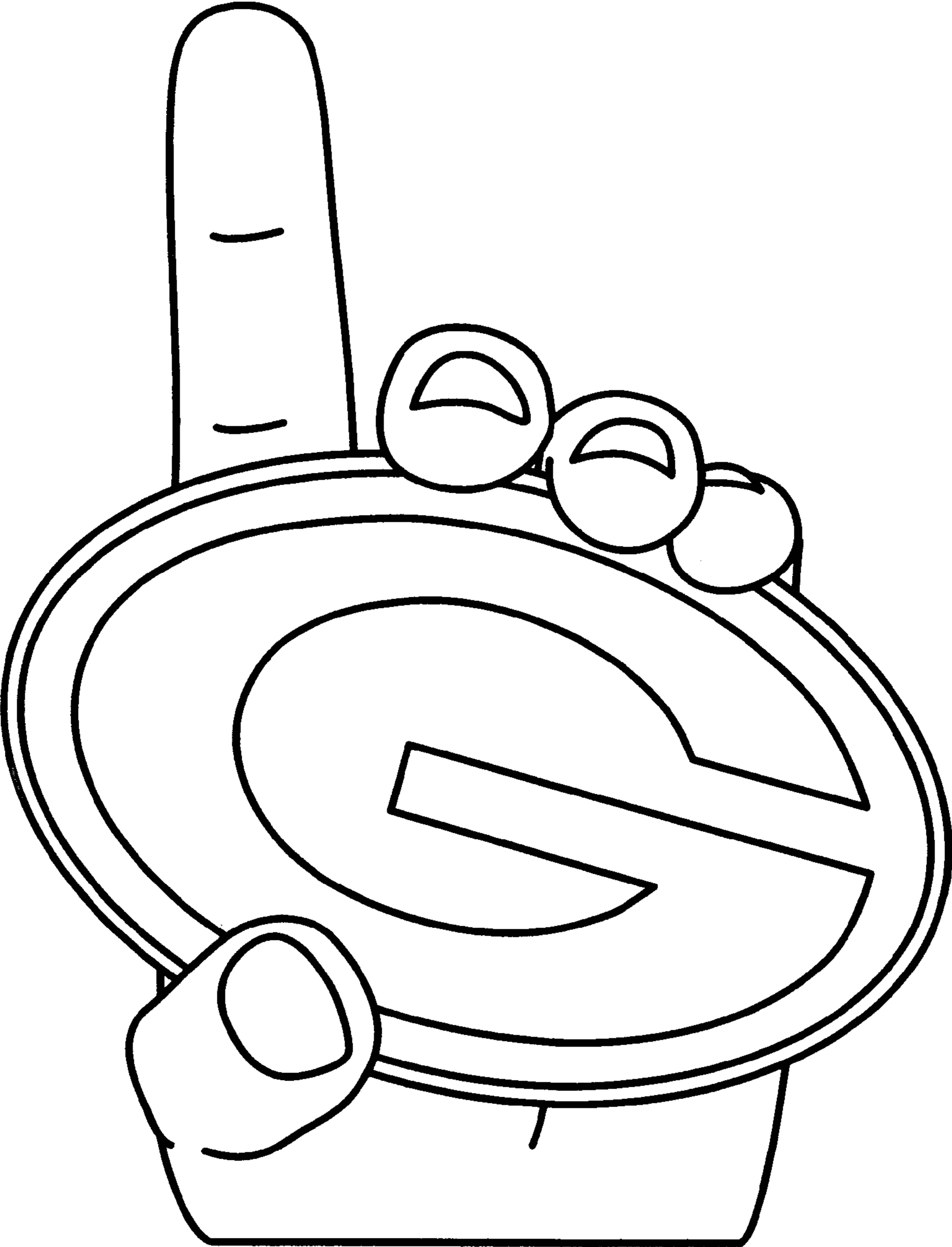


FIG. 1



FIG. 2

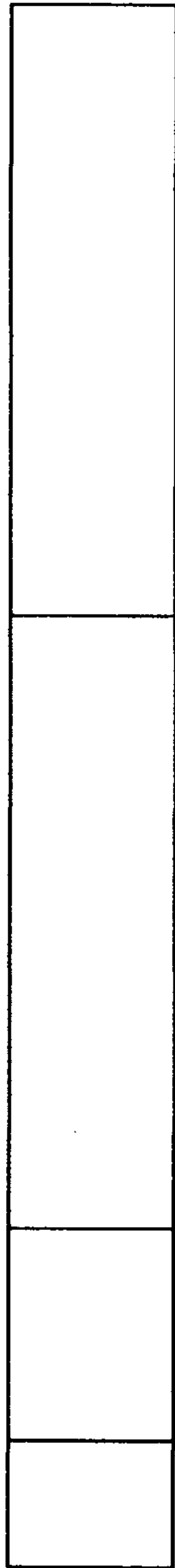


FIG. 3



FIG. 4

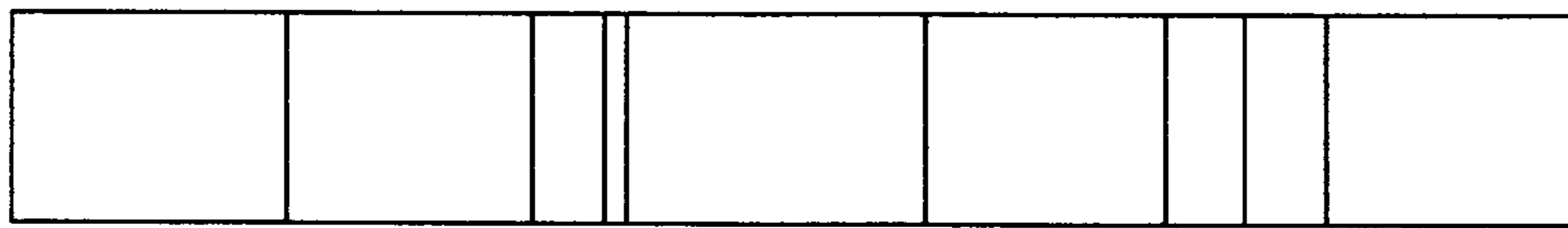


FIG. 5

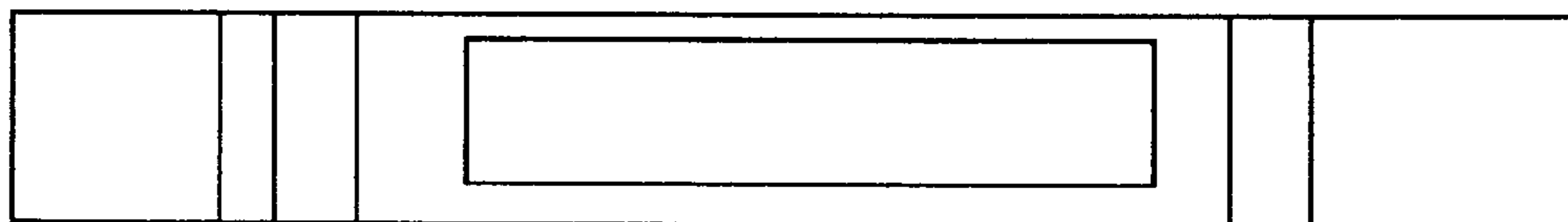


FIG. 6

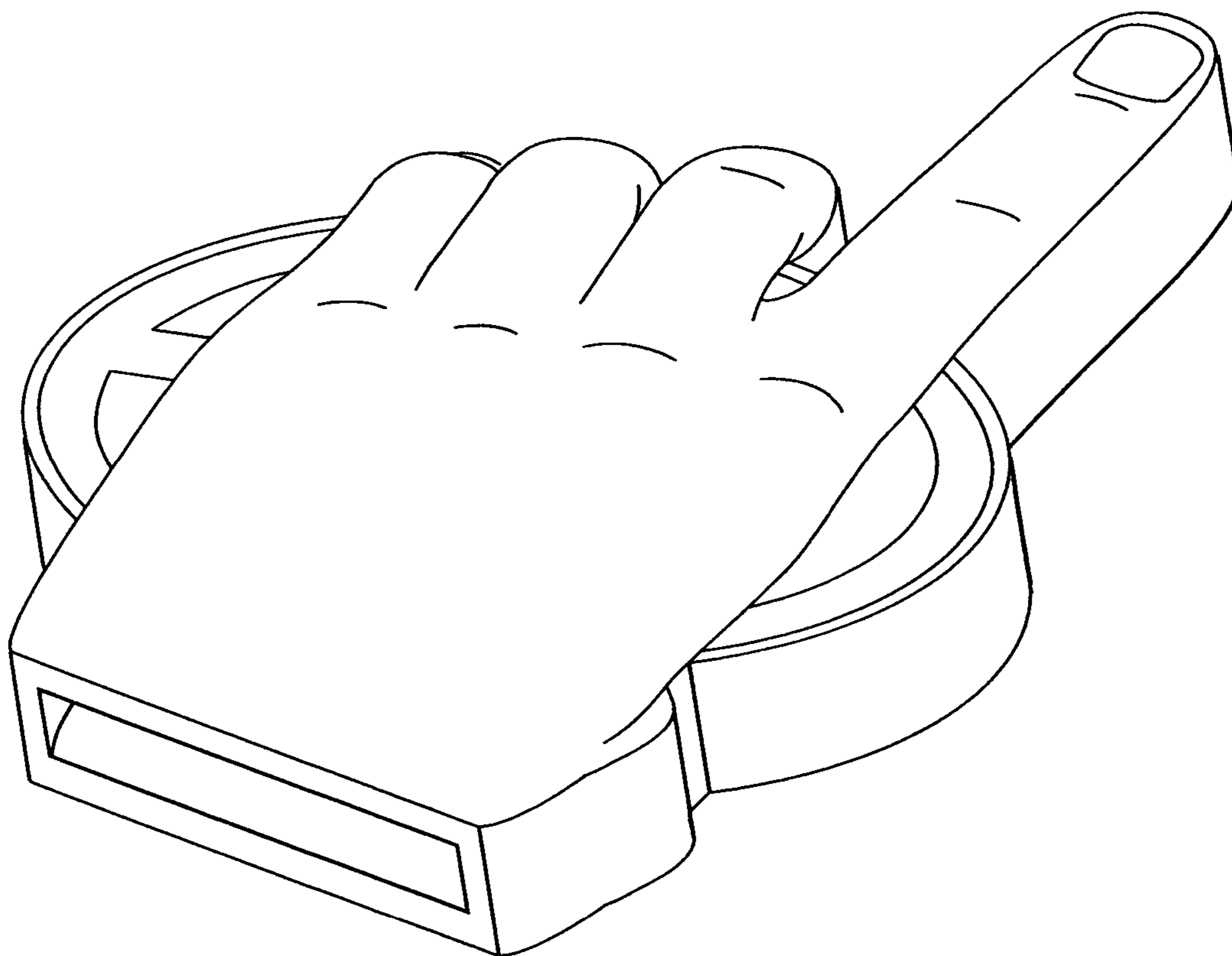


FIG. 7

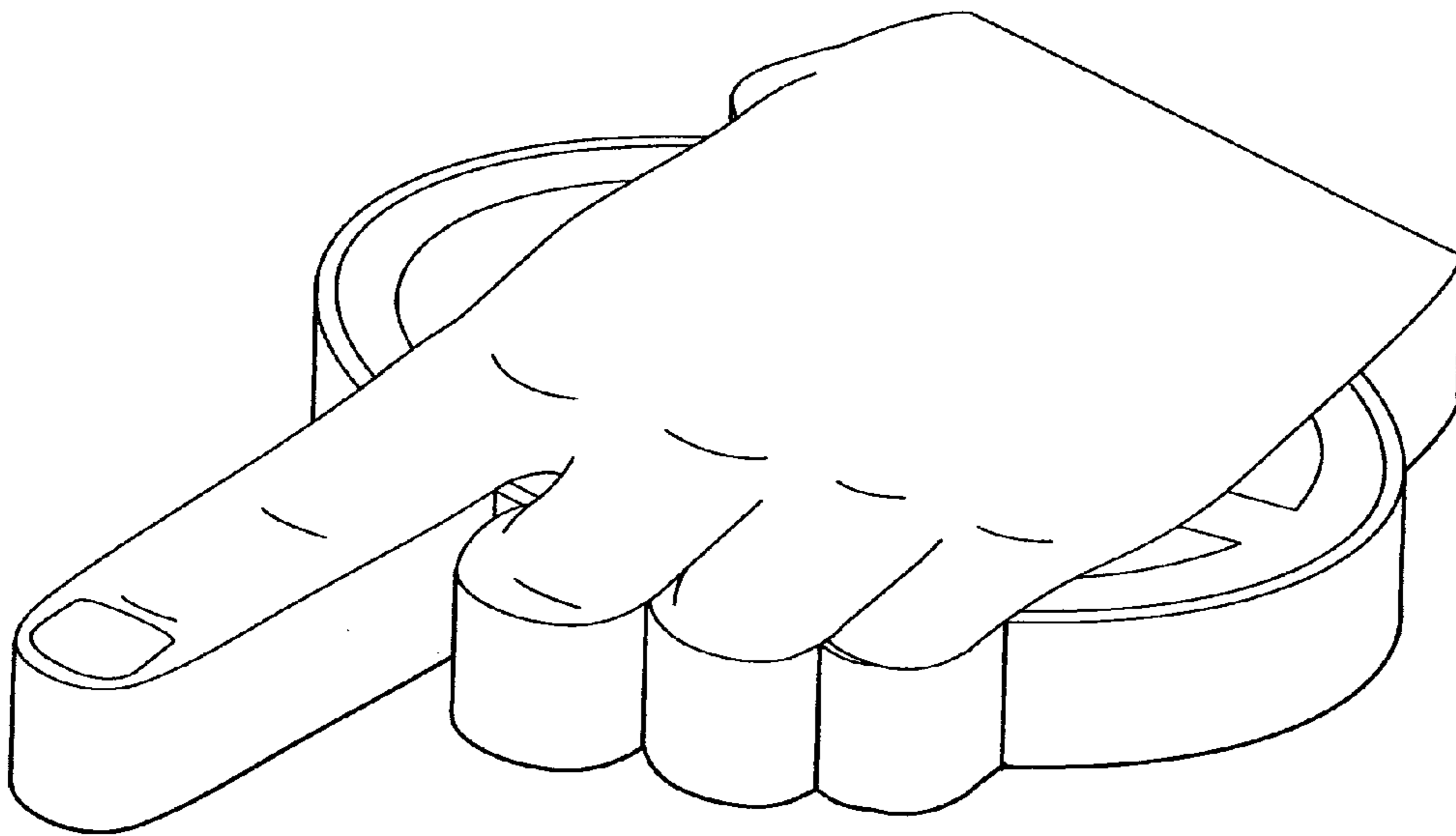


FIG. 8

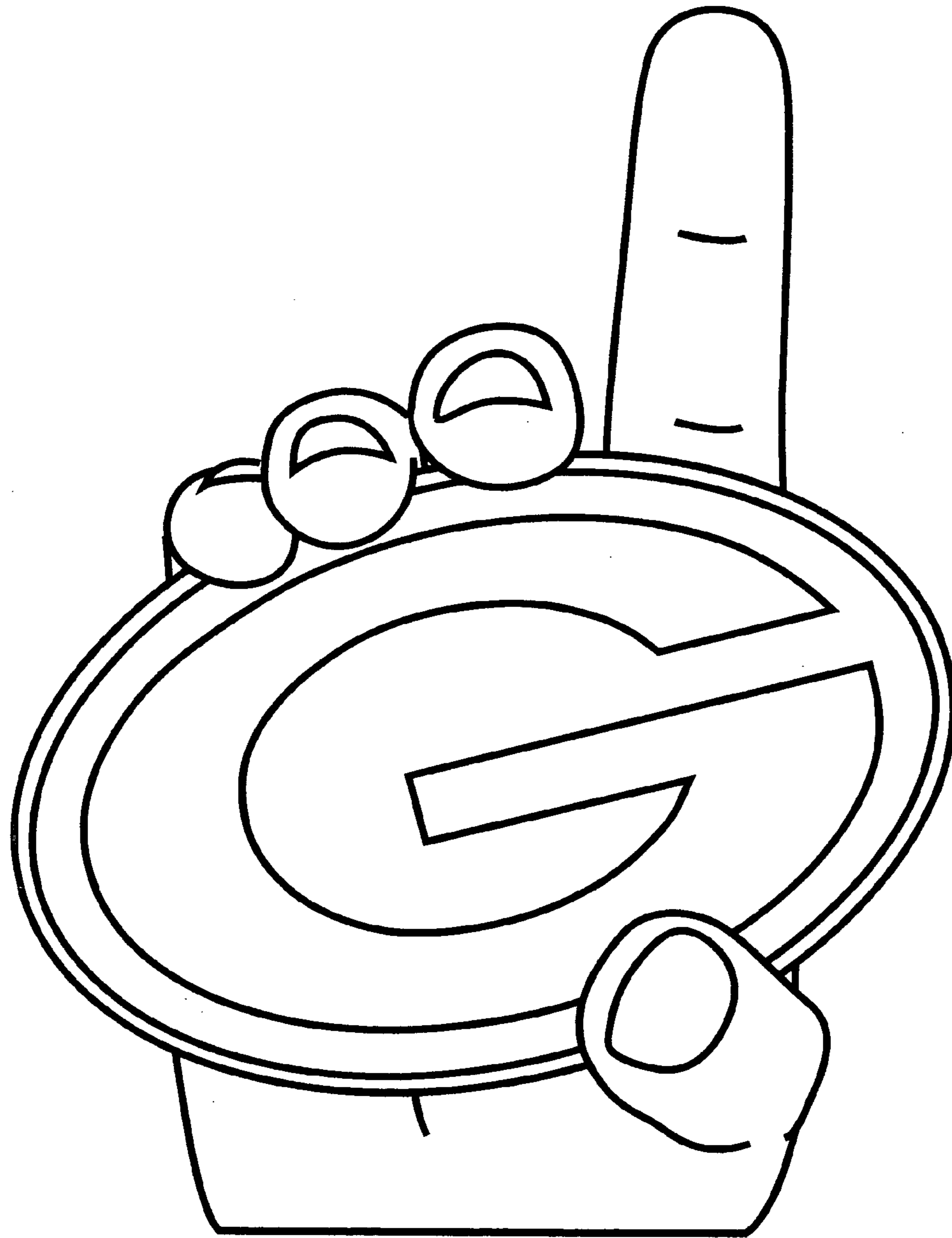


FIG. 9





FIG. 10

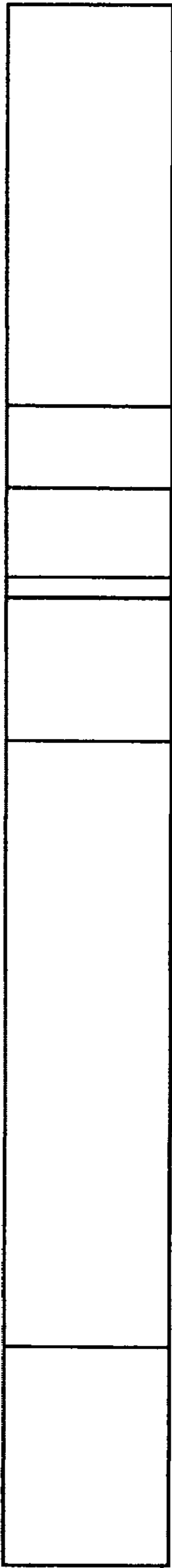


FIG. 11

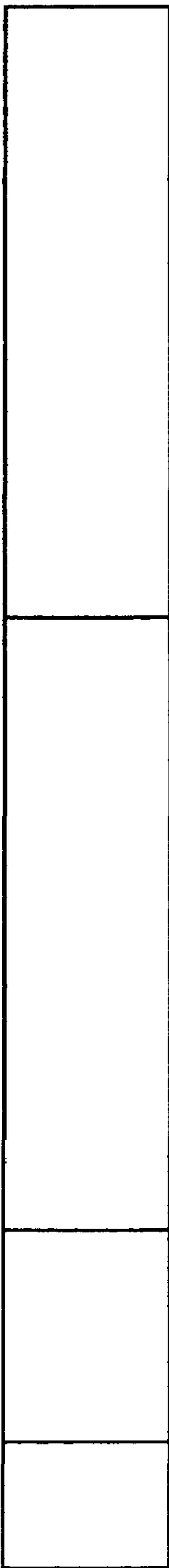


FIG. 12



FIG. 13

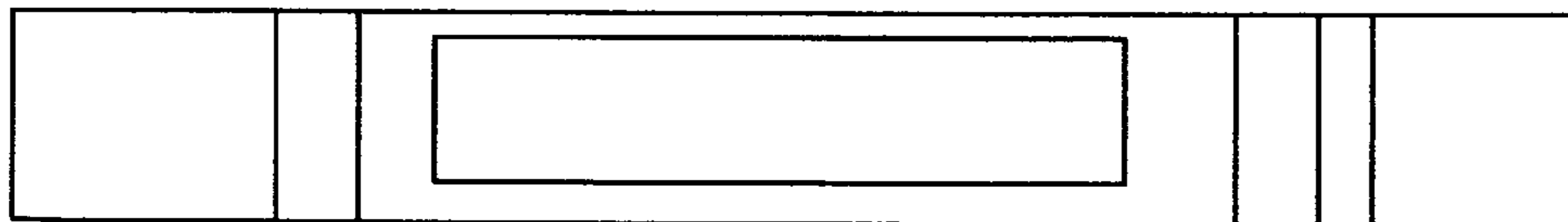


FIG. 14

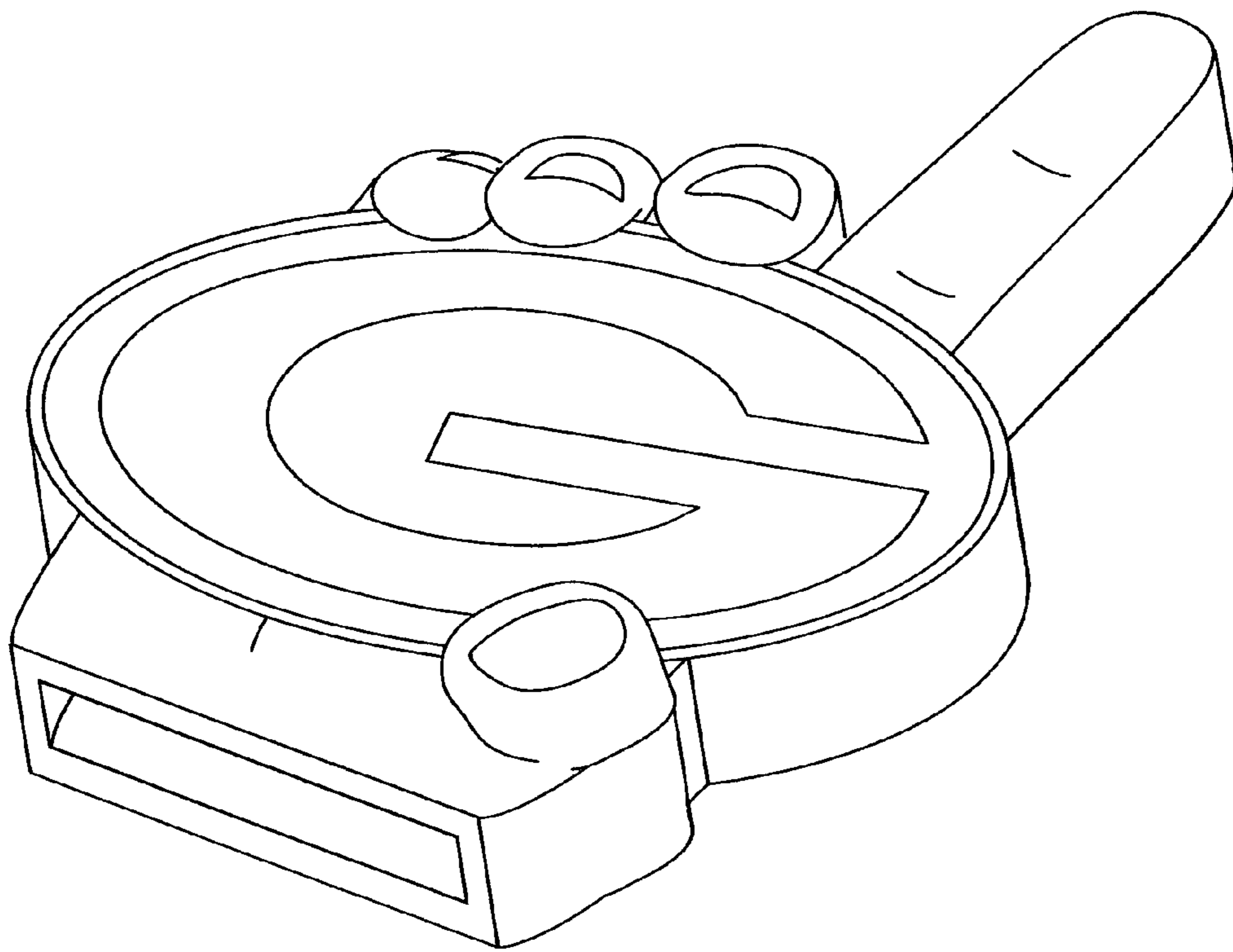


FIG. 15

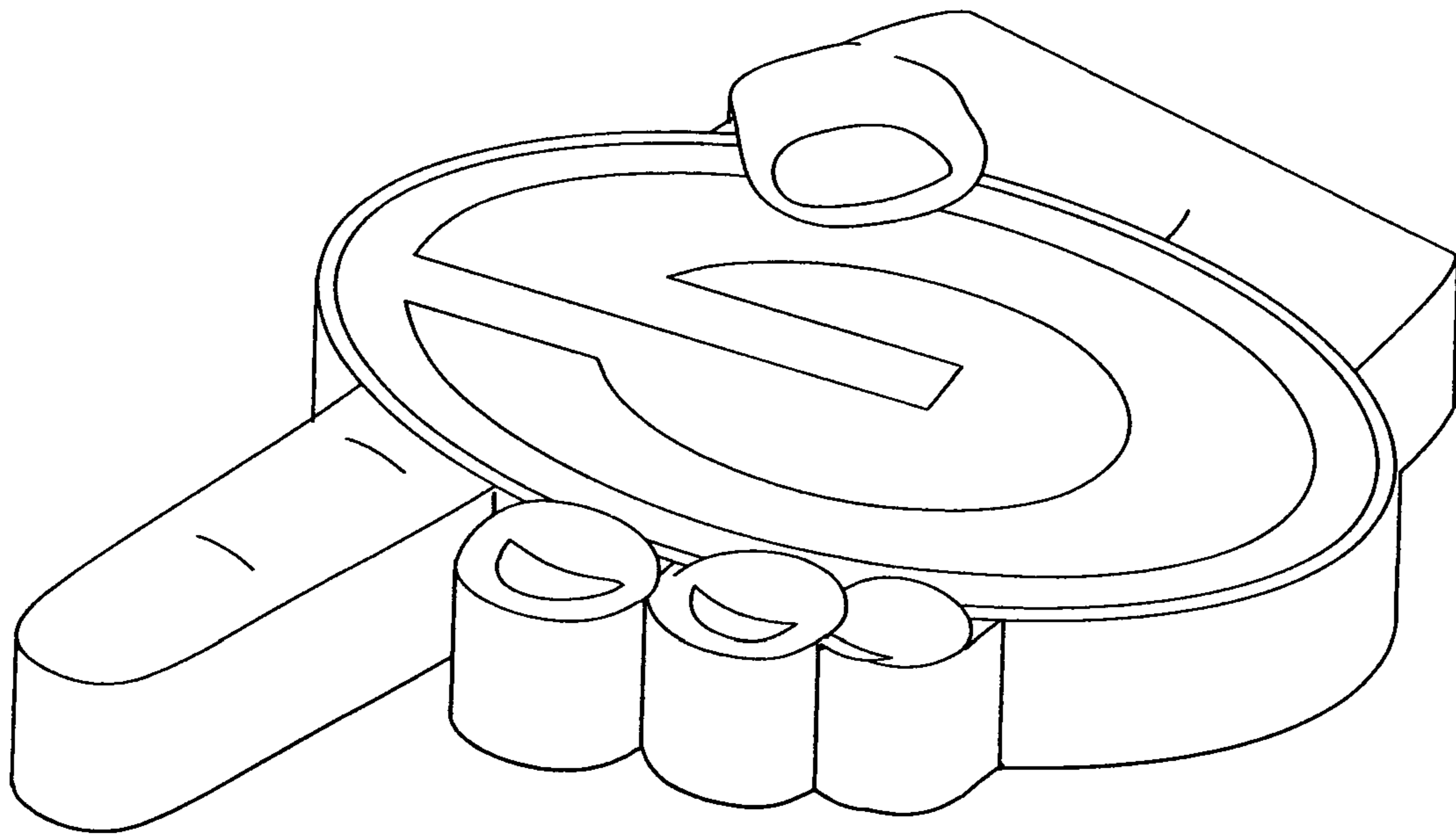


FIG. 16