



US00D676489S

(12) **United States Design Patent**  
**Chen**

(10) **Patent No.:** **US D676,489 S**

(45) **Date of Patent:** **\*\* Feb. 19, 2013**

(54) **PENCIL SHARPENER**

(75) Inventor: **Szu-Yu Chen**, Chang Hua (TW)

(73) Assignee: **SDI Corporation**, Chang Hua (TW)

(\*\*) Term: **14 Years**

(21) Appl. No.: **29/426,103**

(22) Filed: **Jun. 29, 2012**

(51) **LOC (9) Cl.** ..... **19-06**

(52) **U.S. Cl.** ..... **D19/73**

(58) **Field of Classification Search** ..... D8/91,  
D8/98; D19/72-74; 30/451-462; 144/28.1,  
144/28.11, 28.2-28.7, 28.72, 28.8, 28.9;  
D9/519, 529, 691

See application file for complete search history.

(56) **References Cited**

**U.S. PATENT DOCUMENTS**

D191,247 S *	8/1961	McWilliams	.....	D19/73
D336,614 S *	6/1993	Crawford	.....	D9/529
D347,389 S *	5/1994	Crawford	.....	D9/529
5,394,613 A *	3/1995	Ku	.....	30/454
D396,249 S *	7/1998	Carlson	.....	D19/99
D442,031 S *	5/2001	Perez	.....	D7/628
D498,422 S *	11/2004	Theunynck	.....	D9/550
D502,110 S *	2/2005	Theunynck	.....	D9/550
D509,851 S *	9/2005	Huang	.....	D19/43
D543,244 S *	5/2007	Tsuruha	.....	D19/73

D549,781 S *	8/2007	Lau	.....	D19/73
7,389,588 B2 *	6/2008	Lau	.....	30/454
D607,735 S *	1/2010	Kuzma et al.	.....	D9/539
D619,120 S *	7/2010	Nikiforov et al.	.....	D14/218
D638,473 S *	5/2011	Zemskov et al.	.....	D19/73
D643,737 S *	8/2011	Handy	.....	D9/558
2012/0192995 A1 *	8/2012	Chen	.....	144/28.8

\* cited by examiner

*Primary Examiner* — Elizabeth Albert

(74) *Attorney, Agent, or Firm* — patenttm.us

(57) **CLAIM**

The ornamental design for a pencil sharpener, as shown and described.

**DESCRIPTION**

FIG. 1 is a perspective view of a pencil sharpener showing my new design;

FIG. 2 is a front view thereof;

FIG. 3 is a rear view thereof;

FIG. 4 is a left view thereof;

FIG. 5 is a right view thereof;

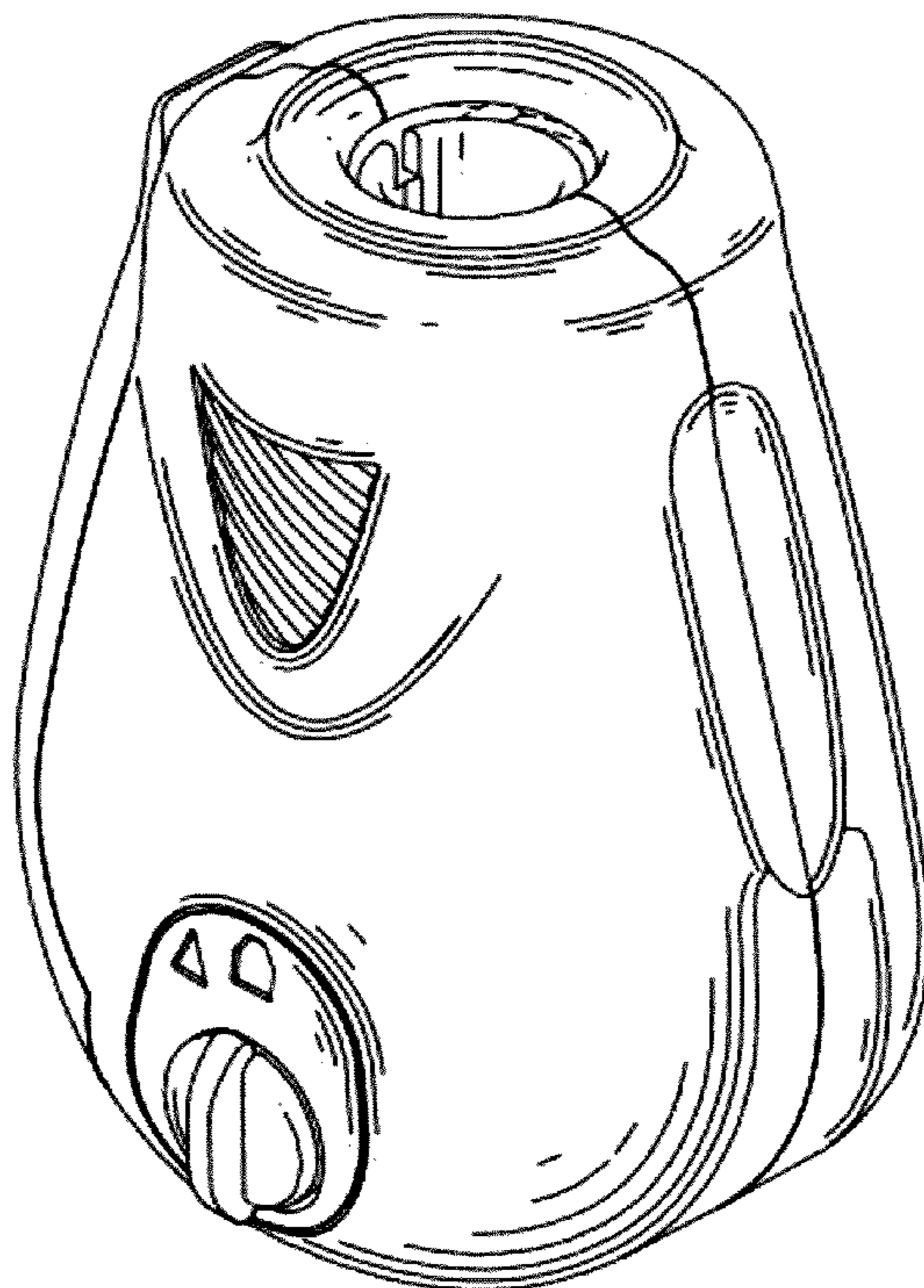
FIG. 6 is a top view thereof;

FIG. 7 is a bottom view thereof; and,

FIG. 8 is another perspective view thereof.

The broken lines on the top in FIG. 6 and on the bottom in FIG. 7 are included to show portions of the pencil sharpener that form no part of the claimed design.

**1 Claim, 6 Drawing Sheets**



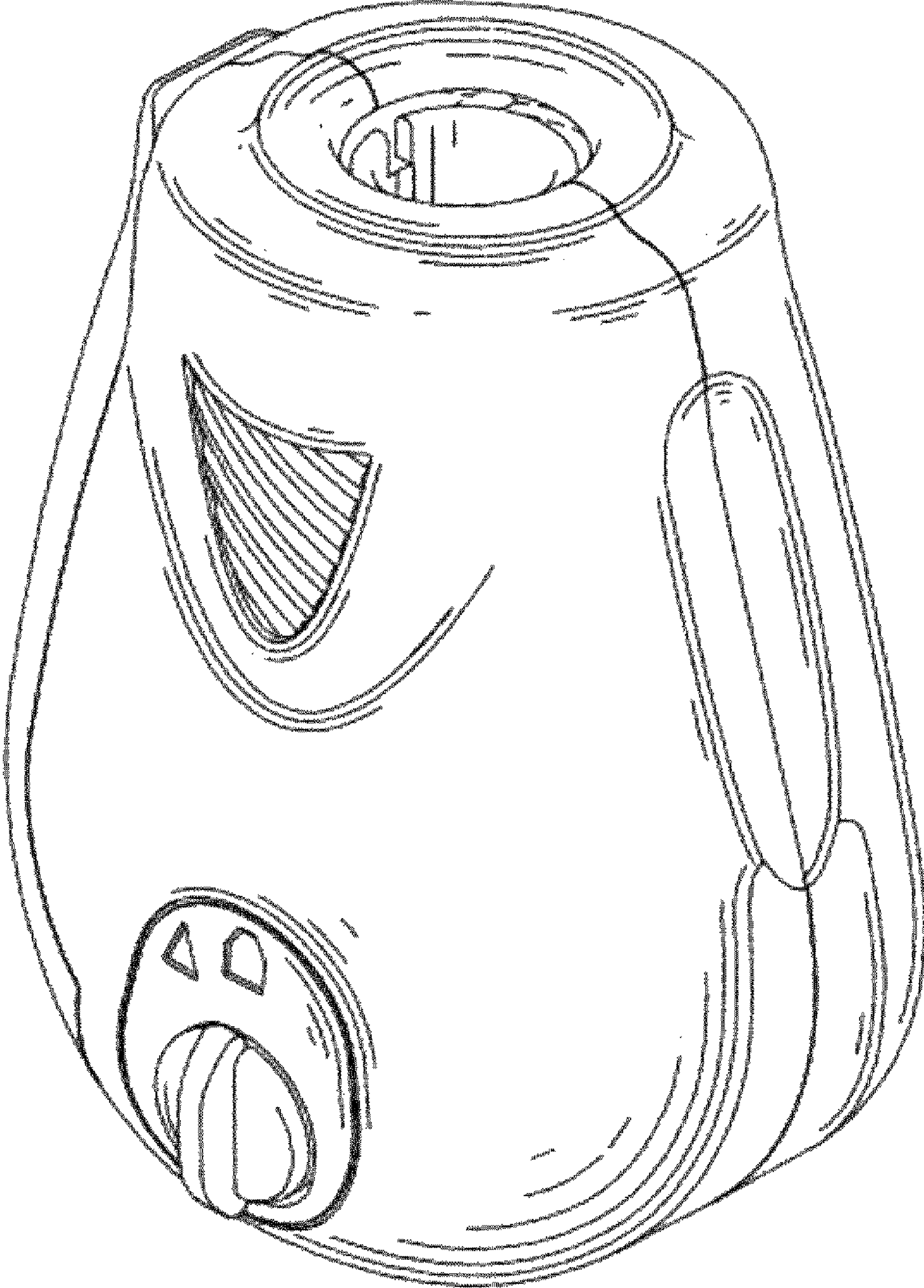


FIG. 1

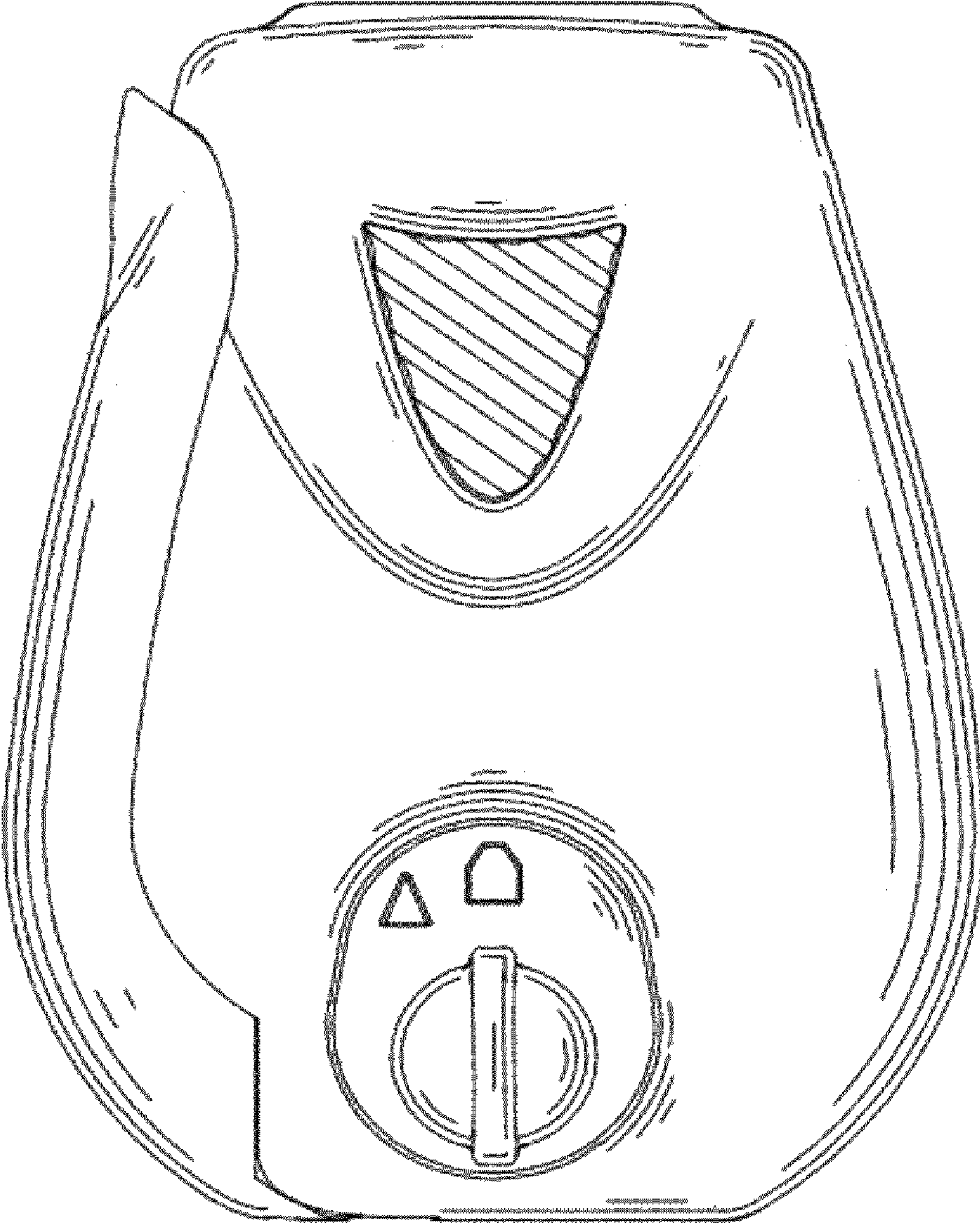


FIG.2

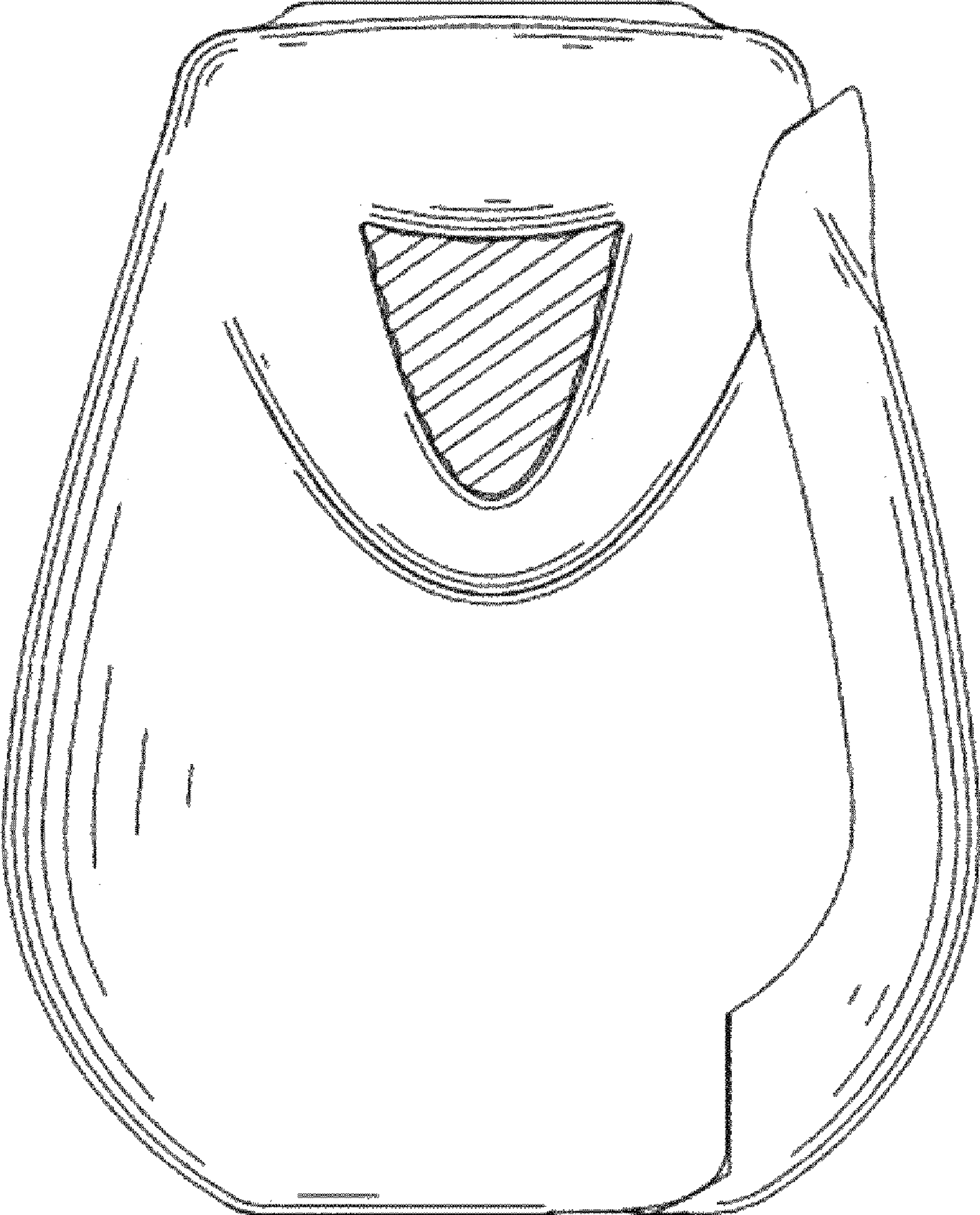


FIG. 3

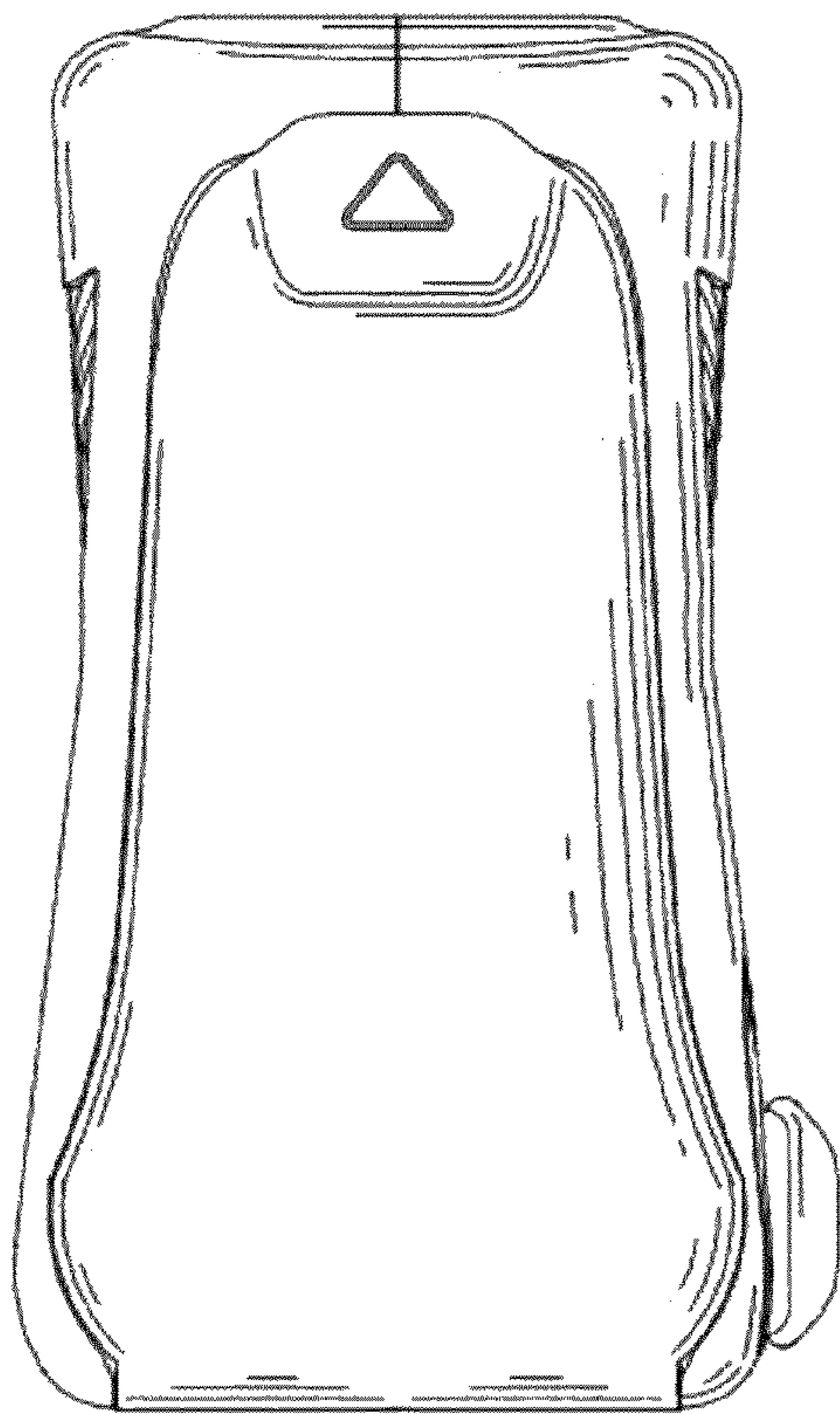


FIG. 4

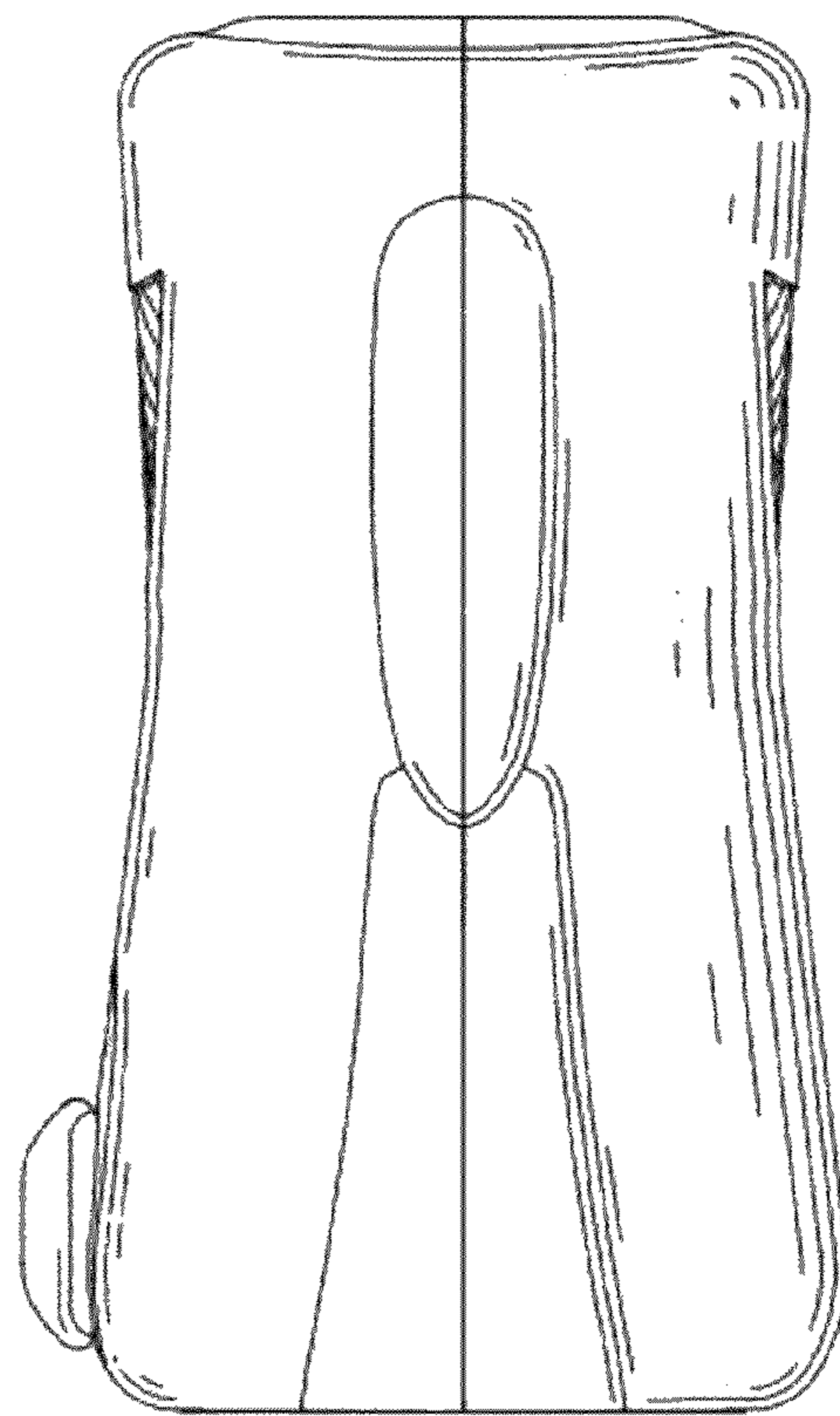


FIG. 5

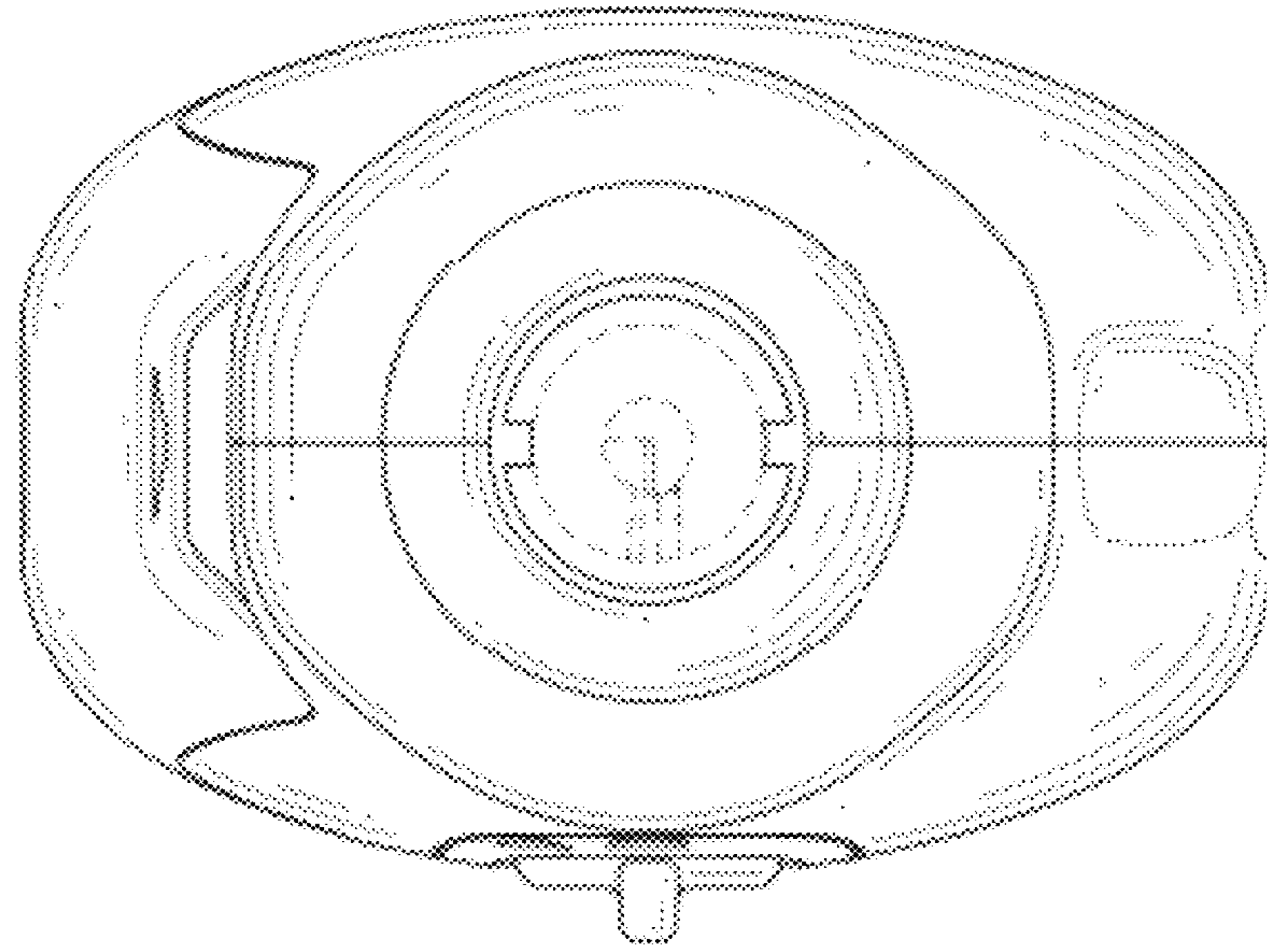


FIG. 6

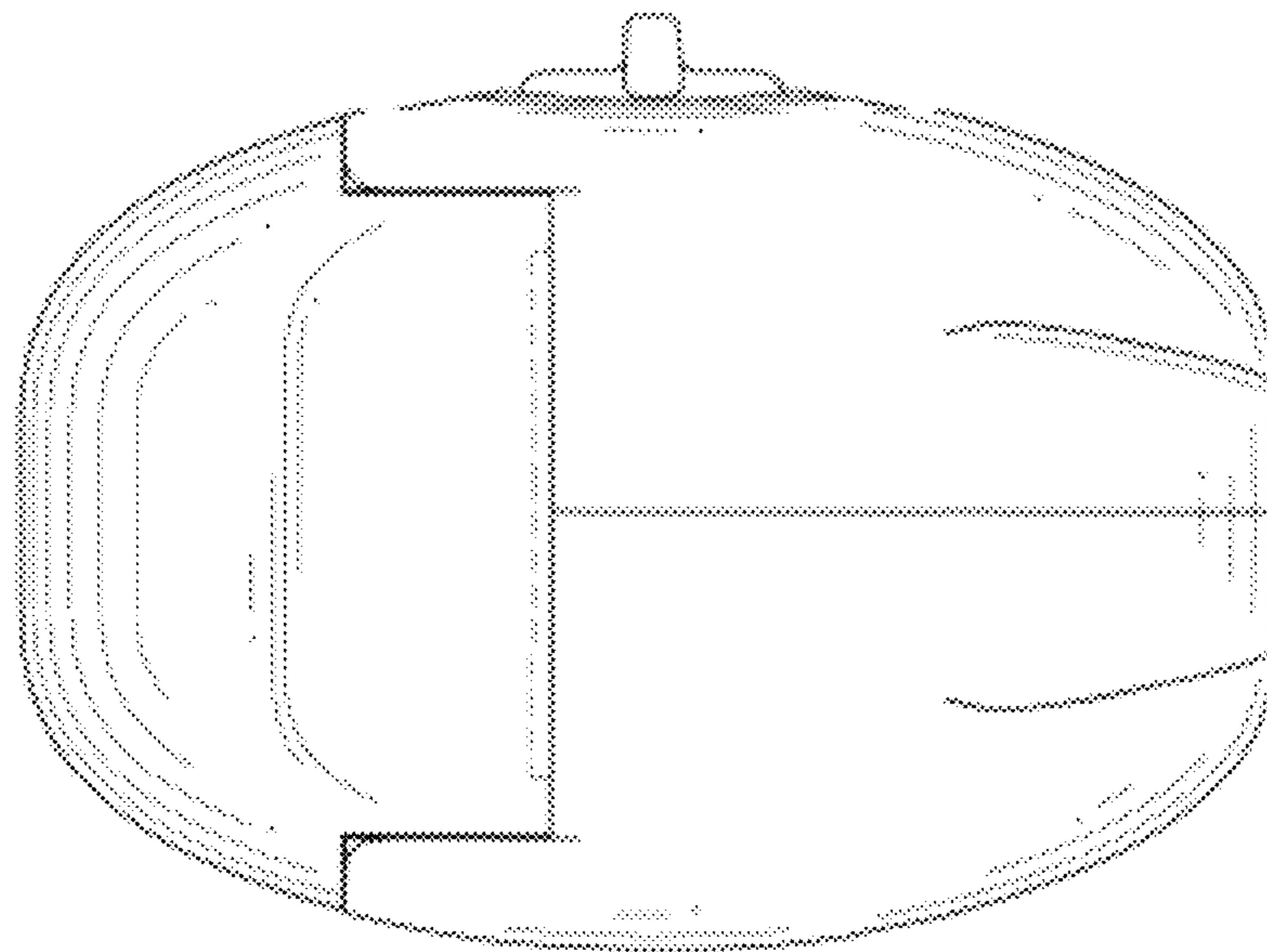


FIG. 7

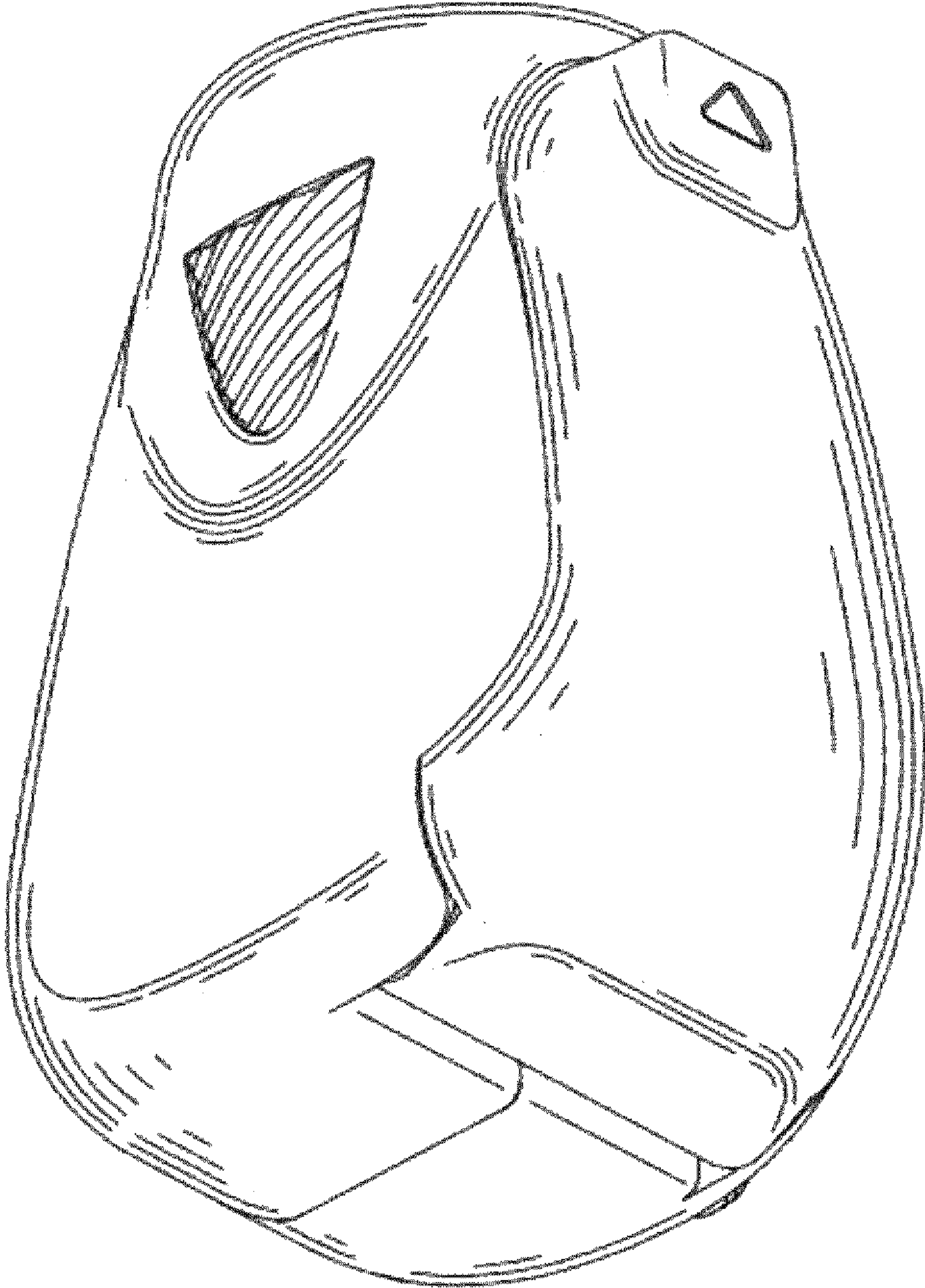


FIG.8