



US00D676486S

(12) **United States Design Patent**  
**Haas**

(10) **Patent No.:** **US D676,486 S**  
(45) **Date of Patent:** **\*\* Feb. 19, 2013**

(54) **LASER PRINTABLE CARD BADGE SHEET**

5,699,326 A 12/1997 Haas et al.  
5,715,215 A 2/1998 Haas et al.  
5,719,828 A 2/1998 Haas et al.

(75) Inventor: **David J. Haas**, Suffern, NY (US)

(Continued)

(73) Assignee: **Tecco, Inc.**, Suffern, NY (US)

(\*\*) Term: **14 Years**

(21) Appl. No.: **29/426,171**

(22) Filed: **Jul. 2, 2012**

(51) **LOC (9) Cl.** ..... **19-01**

(52) **U.S. Cl.** ..... **D19/1**

(58) **Field of Classification Search** ..... D19/1-12,  
D19/20-34; 40/124.01-124.15, 672, 661,  
40/726, 776, 617, 633, 360, 638; 229/72,  
229/92, 92.1, 300-303; 283/72, 74, 75, 103,  
283/105, 106, 67, 81, 101; 206/449, 232;  
D21/385; D20/10, 22, 27, 40, 42, 99

See application file for complete search history.

(56) **References Cited**

**U.S. PATENT DOCUMENTS**

10,901 A	5/1854	Winans et al.	
42,260 A *	4/1864	Roberts	40/124.4
3,068,140 A	12/1962	Biddle	
3,994,225 A	11/1976	Sitzberger	
4,432,630 A	2/1984	Haas	
4,542,982 A	9/1985	Haas	
4,605,246 A	8/1986	Haas	
D286,894 S	11/1986	Haas	
4,779,120 A	10/1988	Haas	
4,903,254 A	2/1990	Haas	
4,925,716 A	5/1990	Haas	
5,058,088 A	10/1991	Haas et al.	
5,364,132 A	11/1994	Haas et al.	
5,446,705 A	8/1995	Haas et al.	
D365,294 S	12/1995	Haas et al.	
5,543,191 A *	8/1996	Dronzek et al.	428/41.5
5,571,587 A	11/1996	Bishop et al.	
5,573,825 A	11/1996	Brewster	
5,602,804 A	2/1997	Haas	
5,633,835 A	5/1997	Haas et al.	
5,640,742 A	6/1997	White et al.	
D386,215 S	11/1997	White	
D386,793 S	11/1997	Haas et al.	

**OTHER PUBLICATIONS**

<http://www.staples.com/Name-Badges-Name-Badges-Holders/cat/CL/160068>.

*Primary Examiner* — Caron D Veynar

*Assistant Examiner* — Abraham Bahta

(74) *Attorney, Agent, or Firm* — Michael E. Zall

(57) **CLAIM**

I claim the ornamental design for a laser printable card badge sheet, as shown and described.

**DESCRIPTION**

FIG. 1 is a front perspective view of a first embodiment of a new design of a laser printable card badge sheet showing my new design.

FIG. 2 is a front view thereof, the rear being identical thereto.

FIG. 3 is a top view thereof.

FIG. 4 is a right side view thereof, the left side view being identical thereto.

FIG. 5 is a bottom view thereof.

FIG. 6 is a front perspective view of a second embodiment of a new design of a laser printable card badge sheet showing my new design.

FIG. 7 is a front view thereof, the rear being identical thereto.

FIG. 8 is a top view thereof.

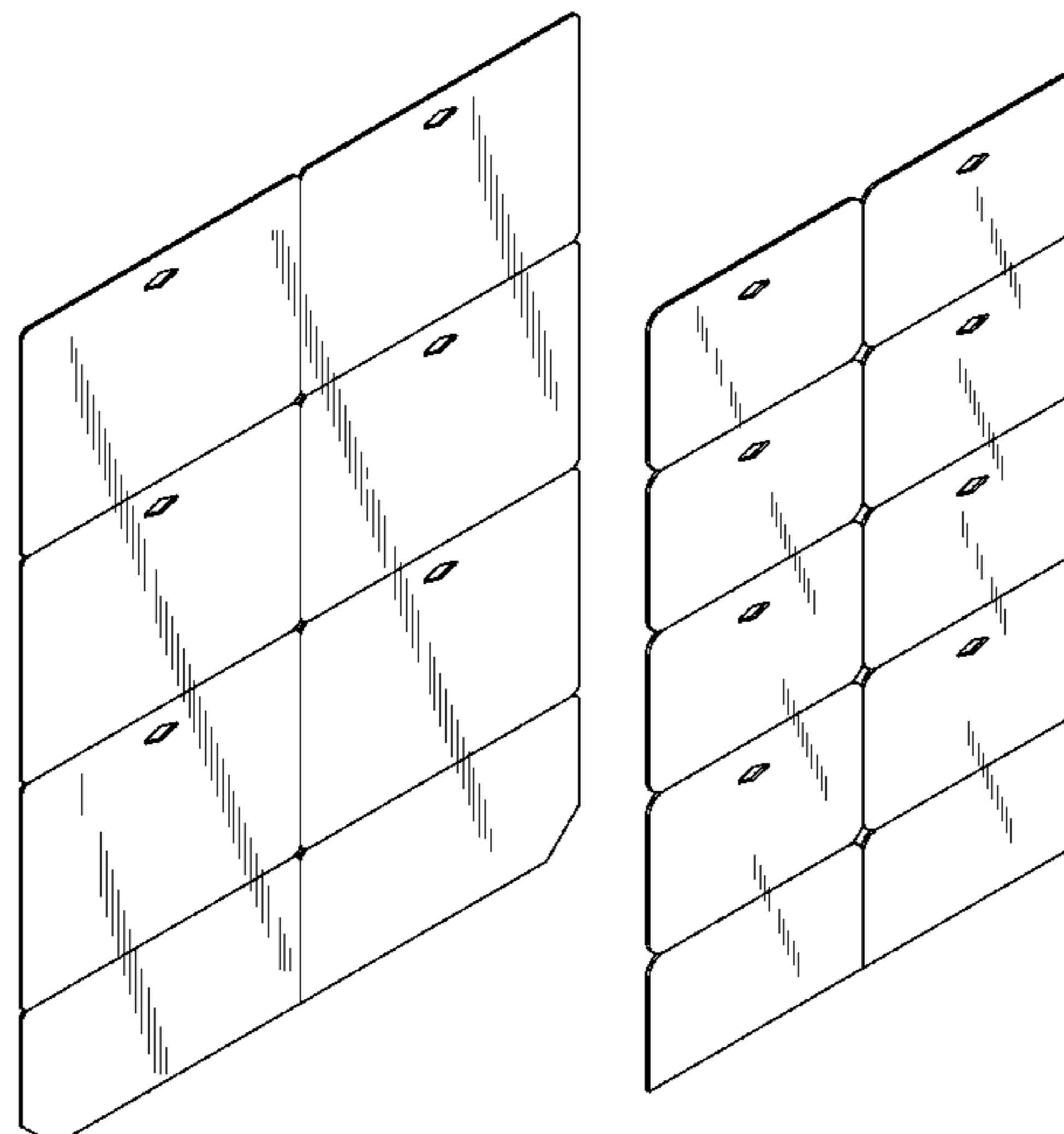
FIG. 9 is a right side view thereof, the left side view being identical thereto.

FIG. 10 is a bottom view thereof; and,

FIG. 11 is a front perspective view of one card badge separated from the laser printable sheet shown in FIG. 1. The broken line clip showing the environment in which the badge may attached.

The broken lines in the figures depict environmental subject matter only and forms no part of the claimed design.

**1 Claim, 5 Drawing Sheets**



# US D676,486 S

Page 2

## U.S. PATENT DOCUMENTS

D394,675 S	5/1998	Haas et al.	D468,769 S	1/2003	Haas
5,785,354 A	7/1998	Haas	6,513,710 B1	2/2003	Haas
5,822,280 A	10/1998	Haas	D474,235 S	5/2003	Haas
5,862,101 A	1/1999	Haas et al.	D476,680 S	7/2003	Haas
5,873,606 A	2/1999	Haas et al.	D477,359 S	7/2003	Haas
5,930,206 A	7/1999	Haas et al.	D478,122 S	8/2003	Haas
5,947,369 A	9/1999	Frommer et al.	D481,067 S	10/2003	Haas
5,957,458 A	9/1999	Haas et al.	6,752,430 B2	6/2004	Holt et al.
D415,521 S	10/1999	Haas et al.	6,796,065 B2	9/2004	Haas
D415,793 S	10/1999	Haas	6,916,130 B1	7/2005	Holt et al.
D419,184 S	1/2000	Haas	6,948,742 B2	9/2005	Buck
D419,594 S	1/2000	Haas et al.	7,139,226 B2	11/2006	Haas et al.
D419,595 S	1/2000	Haas	7,215,604 B2	5/2007	Haas et al.
D419,596 S	1/2000	Haas	7,263,037 B2	8/2007	Haas
D420,044 S	2/2000	Haas	D582,475 S *	12/2008	Guest ..... D19/10
D420,045 S	2/2000	Haas	7,742,366 B2	6/2010	Haas
D420,698 S	2/2000	Haas	7,742,367 B2	6/2010	Haas
D421,271 S	2/2000	Haas	D624,121 S	9/2010	Haas
D421,623 S	3/2000	Haas et al.	D631,737 S	2/2011	Haas
6,067,739 A	5/2000	Riley	D631,738 S	2/2011	Haas
6,086,971 A	7/2000	Haas et al.	7,898,907 B1	3/2011	Holt et al.
6,197,396 B1	3/2001	Haas et al.	D653,286 S	1/2012	Haas
D445,127 S	7/2001	Haas	2002/0105183 A1	8/2002	Holt et al.
D445,128 S	7/2001	Haas	2002/0113373 A1	8/2002	Haas
D445,129 S *	7/2001	Haas et al. .... D19/1	2003/0014894 A1	1/2003	Haas
D448,404 S *	9/2001	Hamilton et al. .... D19/1	2005/0185520 A1	8/2005	Haas et al.
6,295,252 B1	9/2001	Holt	2005/0226101 A1	10/2005	Haas et al.
D460,783 S	7/2002	Haas	2007/0145122 A1	6/2007	Haas
6,446,865 B1	9/2002	Holt	2007/0153641 A1	7/2007	Haas
6,452,873 B1	9/2002	Holt et al.	2007/0158409 A1	7/2007	Haas
D466,929 S	12/2002	Haas	2008/0044310 A1	2/2008	Haas
D467,269 S	12/2002	Haas	2009/0001708 A1	1/2009	Haas
D467,271 S	12/2002	Haas	2009/0052285 A1	2/2009	Haas
D467,272 S	12/2002	Haas	2011/0129394 A1	6/2011	Holt et al.
D467,965 S	12/2002	Haas			

\* cited by examiner

FIG. 1

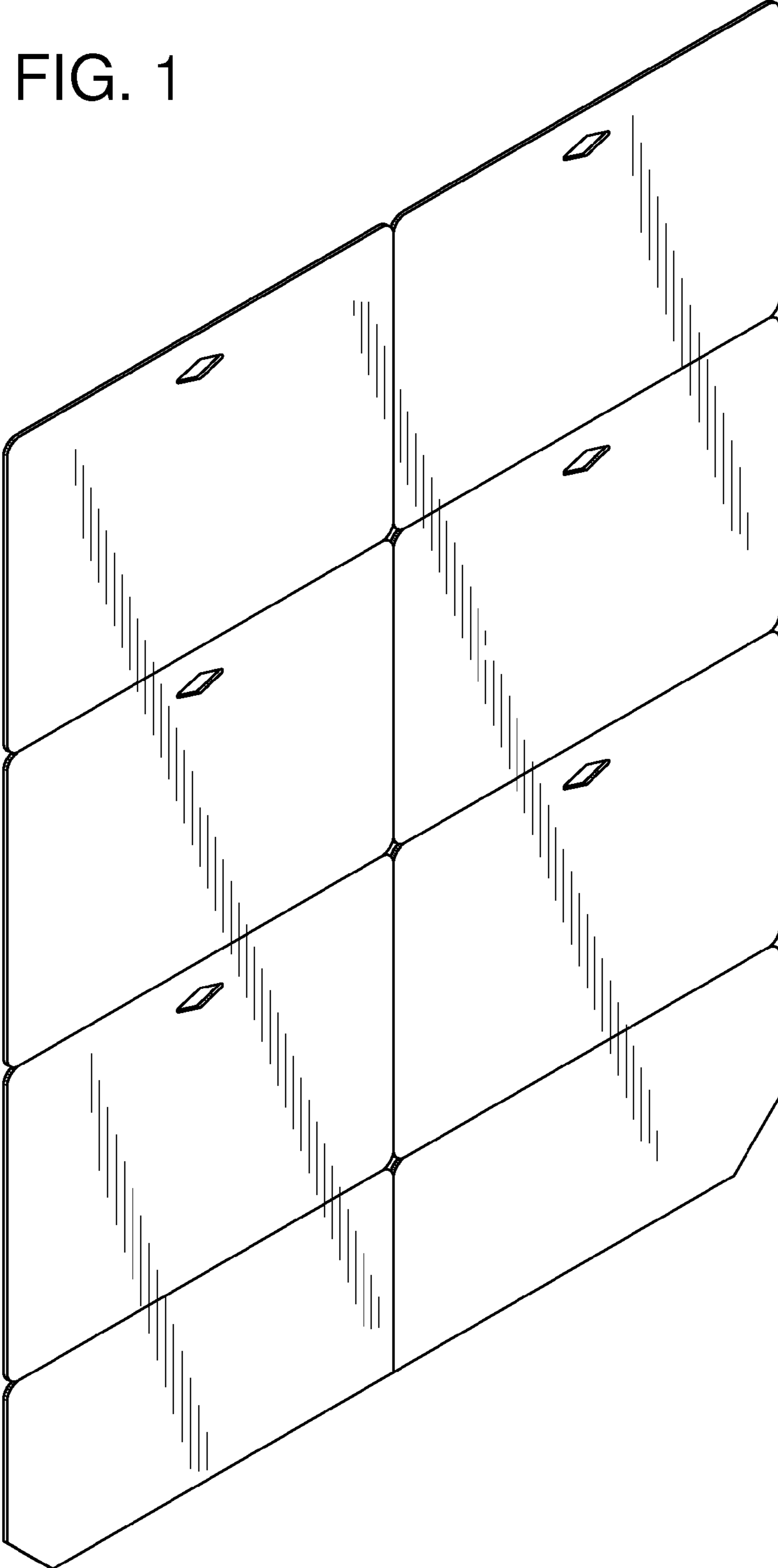


FIG. 3

---

FIG. 2

FIG. 4

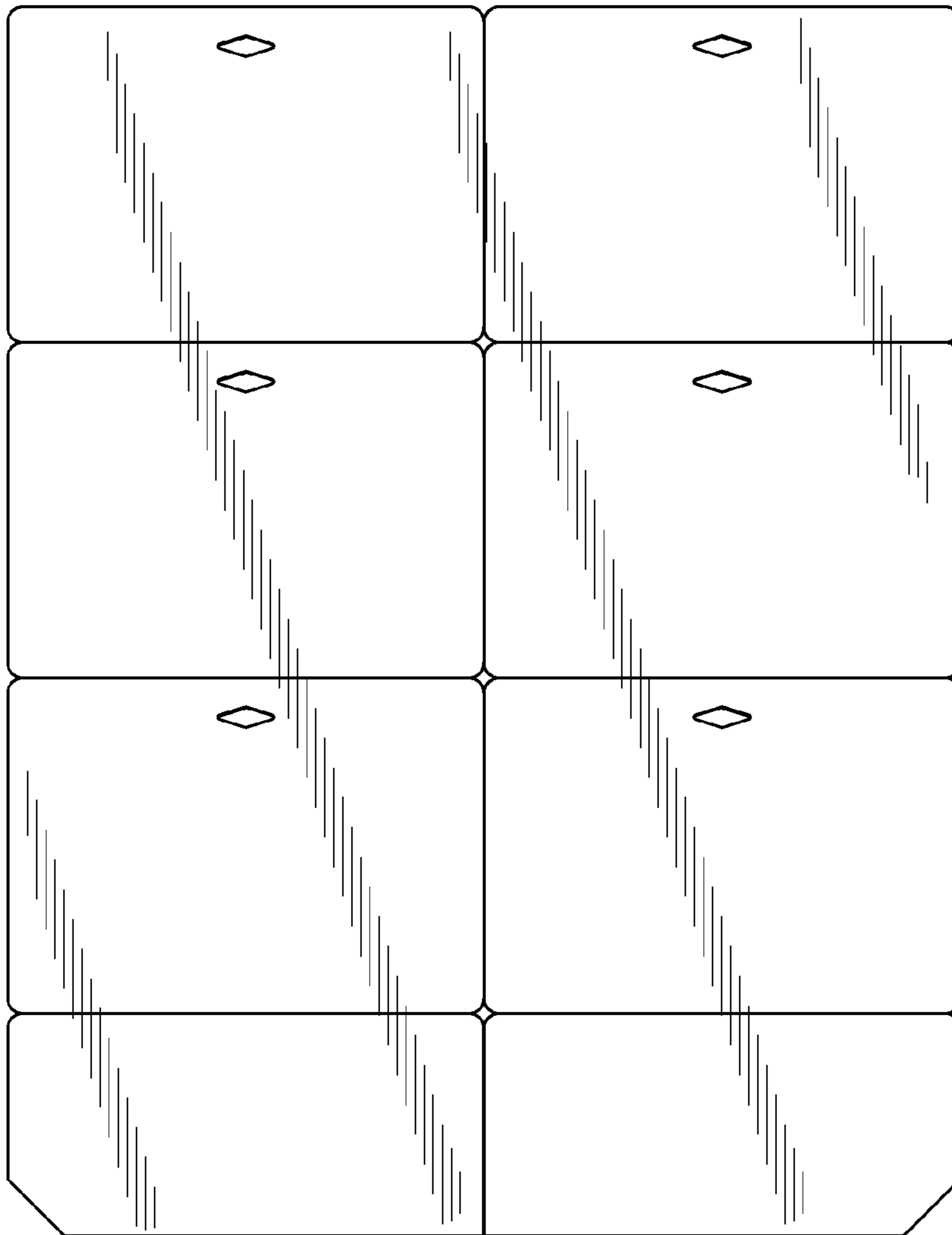


FIG. 5

---

FIG. 6

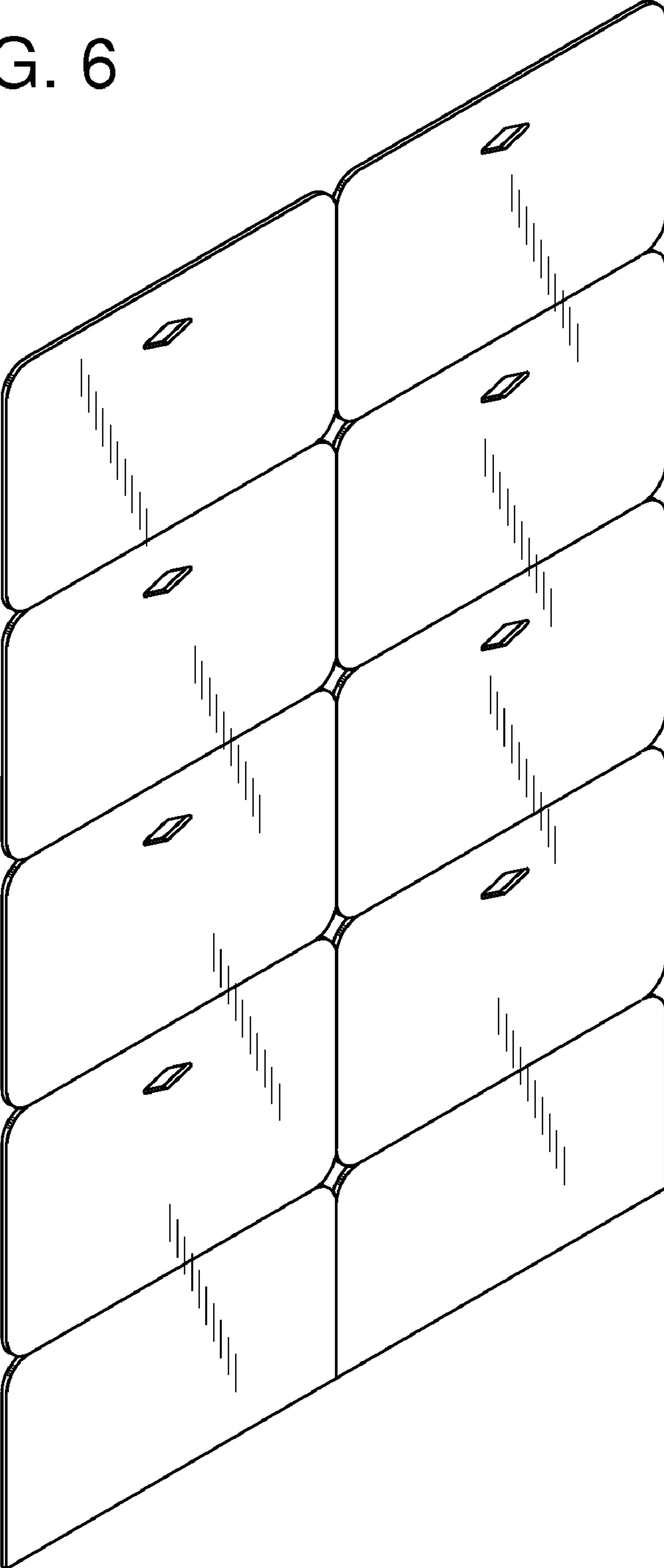


FIG. 8

---

FIG. 7

FIG. 9

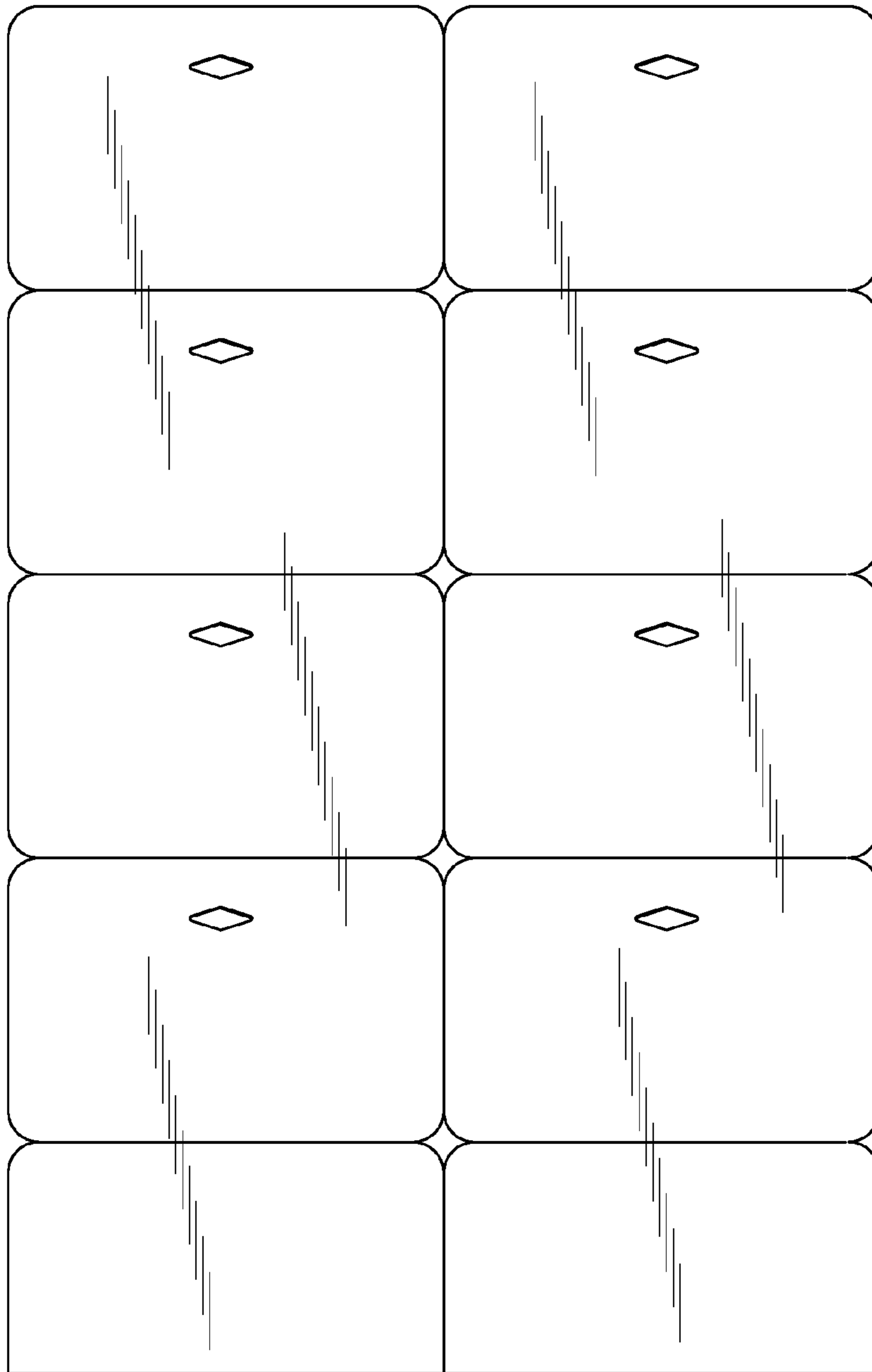


FIG. 10

---

FIG. 11

