



US00D676483S

(12) **United States Design Patent**
Kim et al.

(10) **Patent No.:** **US D676,483 S**
(45) **Date of Patent:** **** Feb. 19, 2013**

(54) **COMBINED PRINTER, COPY MACHINE,
SCANNER AND FAX MACHINE**

(75) Inventors: **Kyong-Hwan Kim**, Seoul (KR); **Masato Suzuki**, Tokyo (JP); **Seung-Wook Jeong**, Seoul (KR); **Byeong-Yong Song**, Kyunggi-do (KR)

(73) Assignee: **Samsung Electronics Co., Ltd.**, Suwon (KR)

(**) Term: **14 Years**

(21) Appl. No.: **29/404,398**

(22) Filed: **Oct. 20, 2011**

(30) **Foreign Application Priority Data**

Aug. 12, 2011 (KR) 30-2011-0033727

(51) **LOC (9) Cl.** **14-02**

(52) **U.S. Cl.** **D18/50**

(58) **Field of Classification Search** D18/14,
D18/19, 36-37, 50, 54, 54.1, 55; D14/452-425,
D14/463-470; 400/613, 613.1-613.4, 690,
400/690.1-690.4, 691-694

See application file for complete search history.

(56) **References Cited**

U.S. PATENT DOCUMENTS

D326,867 S	6/1992	Kwak	
D359,506 S	6/1995	Lee	
D378,218 S	2/1997	Hong et al.	
D527,045 S	8/2006	Lim et al.	
D530,737 S	10/2006	Lim et al.	
D532,043 S	11/2006	Park et al.	
D532,449 S *	11/2006	Tjin Wong Joe et al. D18/55
D532,450 S *	11/2006	Smith et al. D18/55
D536,372 S	2/2007	Lim et al.	
D551,700 S	9/2007	Park et al.	
D552,170 S	10/2007	Kim et al.	
D555,195 S	11/2007	Park et al.	
D555,722 S	11/2007	Bae et al.	
D556,253 S	11/2007	Hong et al.	
D556,822 S	12/2007	Hong et al.	
D558,261 S	12/2007	Hong et al.	

D558,262 S	12/2007	Hong et al.	
D558,820 S	1/2008	Hong et al.	
D558,823 S *	1/2008	Alfonso et al. D18/55
D561,248 S	2/2008	Lee et al.	
D561,250 S *	2/2008	Smith et al. D18/55
D561,824 S	2/2008	Park et al.	
D562,378 S	2/2008	Kim et al.	
D573,178 S	7/2008	Lee et al.	
D573,179 S	7/2008	Bae et al.	
D573,633 S *	7/2008	Laidlaw et al. D18/55
D580,483 S	11/2008	Park et al.	
D581,976 S	12/2008	Park et al.	
D584,344 S	1/2009	Lee et al.	
D584,347 S	1/2009	Hong et al.	
D584,348 S	1/2009	Boo et al.	
D586,385 S	2/2009	Kim et al.	

(Continued)

OTHER PUBLICATIONS

U.S. Appl. No. 29/404,388, Applicant: Kyong-Hwan Kim et al., filed Oct. 20, 2011 entitled Printer with Functions of Copy Machine and Fax Machine.

(Continued)

Primary Examiner — Cathy A MacCormac

(74) *Attorney, Agent, or Firm* — Flynn, Thiel, Boutell & Tanis, P.C.

(57) **CLAIM**

The ornamental design for a combined printer, copy machine, scanner and fax machine, as shown and described.

DESCRIPTION

FIG. 1 is a top front perspective view of a combined printer, copy machine, scanner and fax machine showing our new design;

FIG. 2 is a front elevational view thereof;

FIG. 3 is a rear elevational view thereof;

FIG. 4 is a left side elevational view thereof;

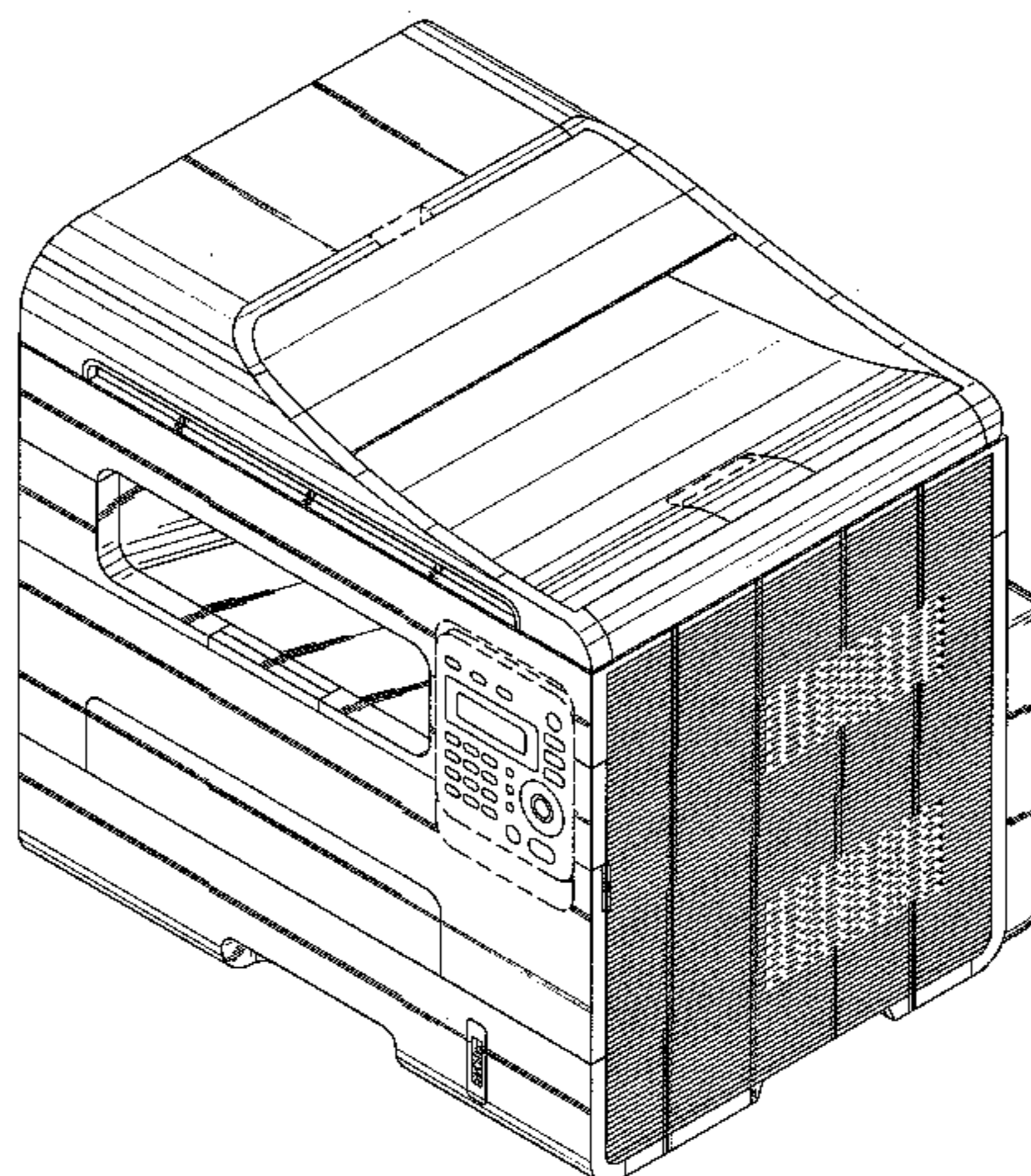
FIG. 5 is a right side elevational view thereof;

FIG. 6 is a top plan view thereof; and,

FIG. 7 is a bottom plan view thereof.

The broken lines depict environmental subject matter only and form no part of the claimed design.

1 Claim, 7 Drawing Sheets



US D676,483 S

Page 2

U.S. PATENT DOCUMENTS

D593,149 S 5/2009 Park et al.
D596,226 S * 7/2009 Yamaguchi D18/55
D601,185 S 9/2009 Kim et al.
D601,186 S 9/2009 Kim et al.
D607,502 S 1/2010 Lee et al.
D607,506 S 1/2010 Kim et al.
D607,925 S 1/2010 Morrison et al.
D607,927 S 1/2010 Kim et al.
D607,928 S 1/2010 Kim et al.
D609,270 S * 2/2010 Kato et al. D18/55
D613,791 S * 4/2010 Yoshioka et al. D18/55
D614,693 S * 4/2010 Kato et al. D18/50
D621,441 S 8/2010 Kim
D622,761 S 8/2010 Kim et al.
D624,956 S 10/2010 Park et al.
D624,957 S 10/2010 Park et al.
D626,588 S 11/2010 Kim et al.
D632,732 S 2/2011 Park et al.
D633,139 S 2/2011 Park et al.
D633,556 S 3/2011 Park et al.
D634,359 S 3/2011 Park et al.
D641,038 S 7/2011 Park et al.
D641,393 S 7/2011 Kim et al.
D641,395 S 7/2011 Park et al.
D641,396 S 7/2011 Park et al.

D641,397 S 7/2011 Kim et al.
D641,398 S 7/2011 Kim et al.
D641,778 S 7/2011 Lee et al.
D643,874 S 8/2011 Kim et al.
D645,078 S 9/2011 Kim et al.
D647,130 S 10/2011 Kim et al.
D647,131 S 10/2011 Park et al.
D647,132 S 10/2011 Kim et al.
D647,958 S * 11/2011 Yoshioka et al. D18/50
D660,351 S * 5/2012 Larson et al. D18/55
D662,130 S * 6/2012 Kitazawa et al. D18/50

OTHER PUBLICATIONS

U.S. Appl. No. 29/404,389, Applicant: Kyong-Hwan Kim et al., filed Oct. 20, 2011 entitled Printer with Functions of Copy Machine, Scanner and Fax Machine.

U.S. Appl. No. 29/404,391, Applicant: Kyong-Hwan Kim et al., filed Oct. 20, 2011 entitled Printer with Functions of Copy Machine and Scanner.

U.S. Appl. No. 29/404,392, Applicant: Kyong-Hwan Kim et al., filed Oct. 20, 2011 entitled Laser Printer.

U.S. Appl. No. 29/404,393, Applicant: Kyong-Hwan Kim et al., filed Oct. 20, 2011 entitled Laser Printer.

* cited by examiner

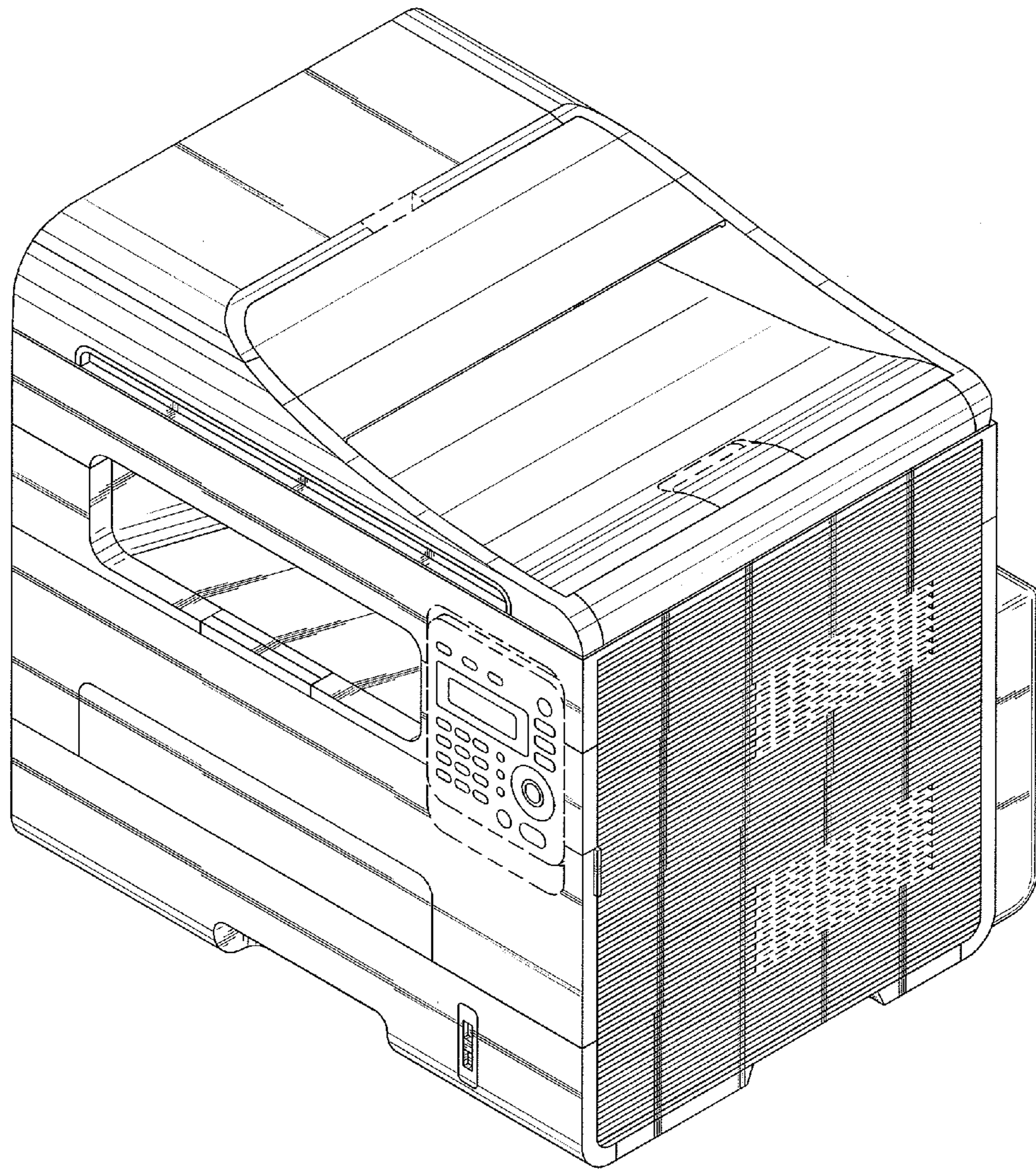


FIG. 1

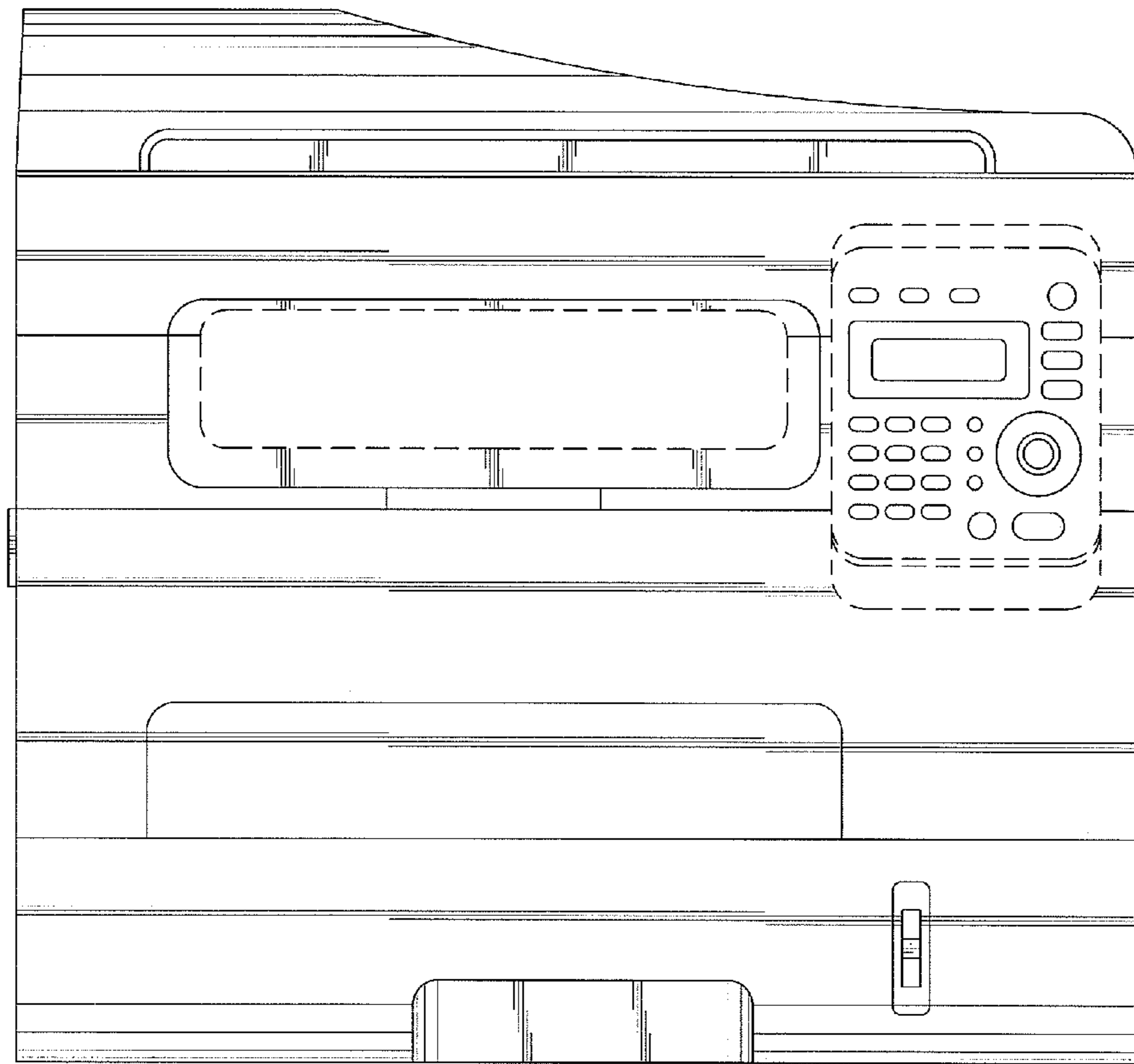


FIG. 2

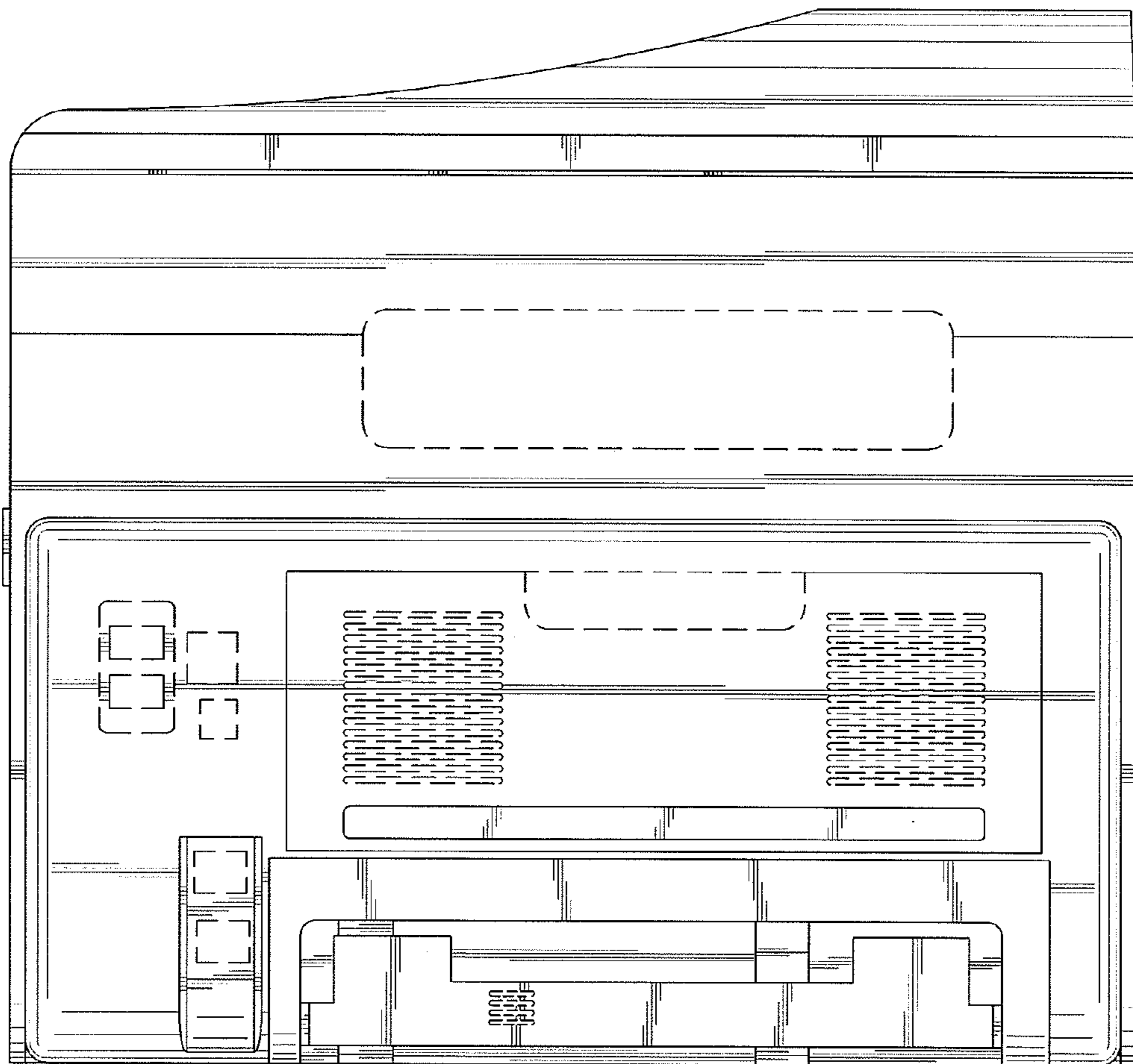


FIG. 3

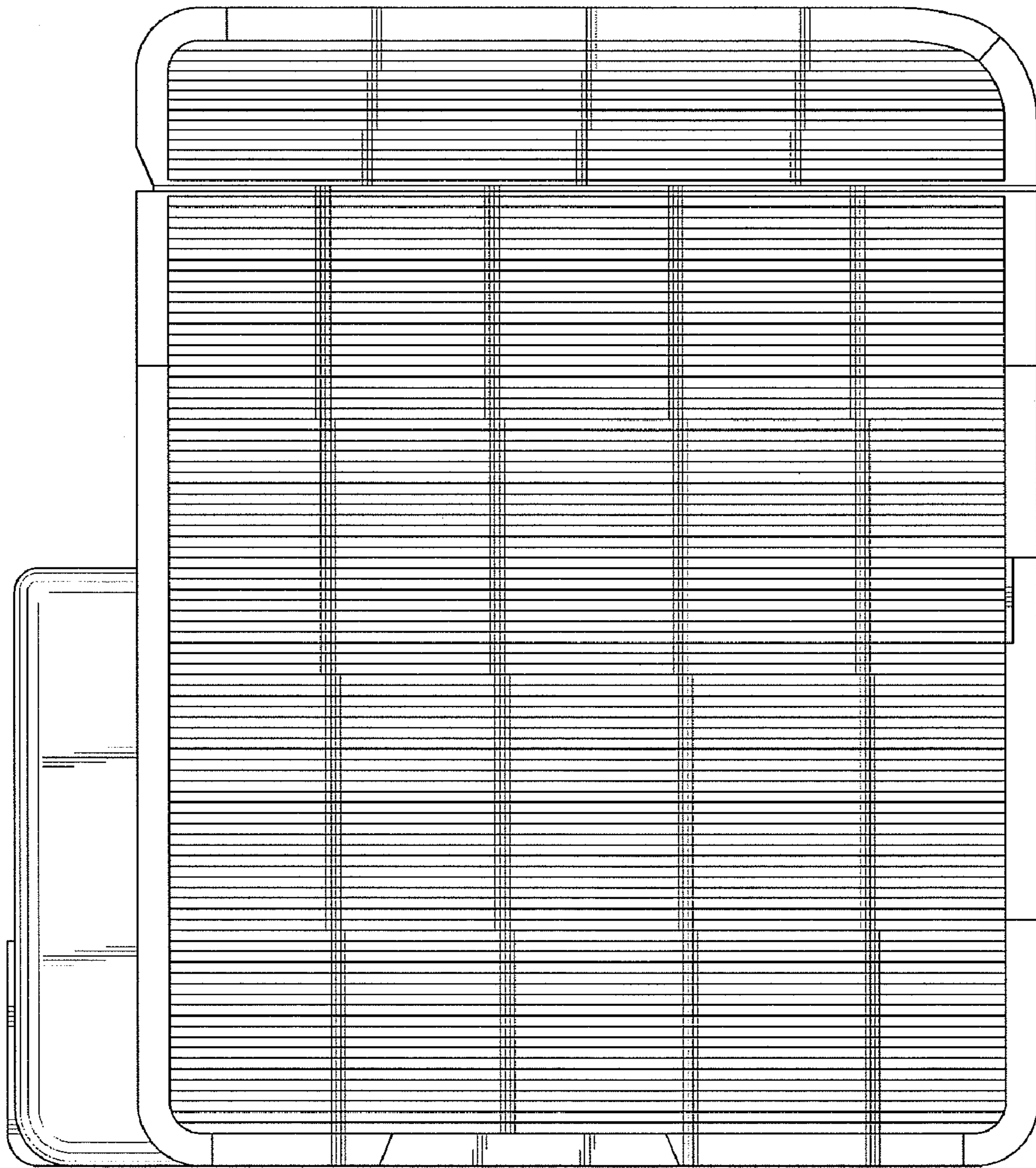


FIG. 4

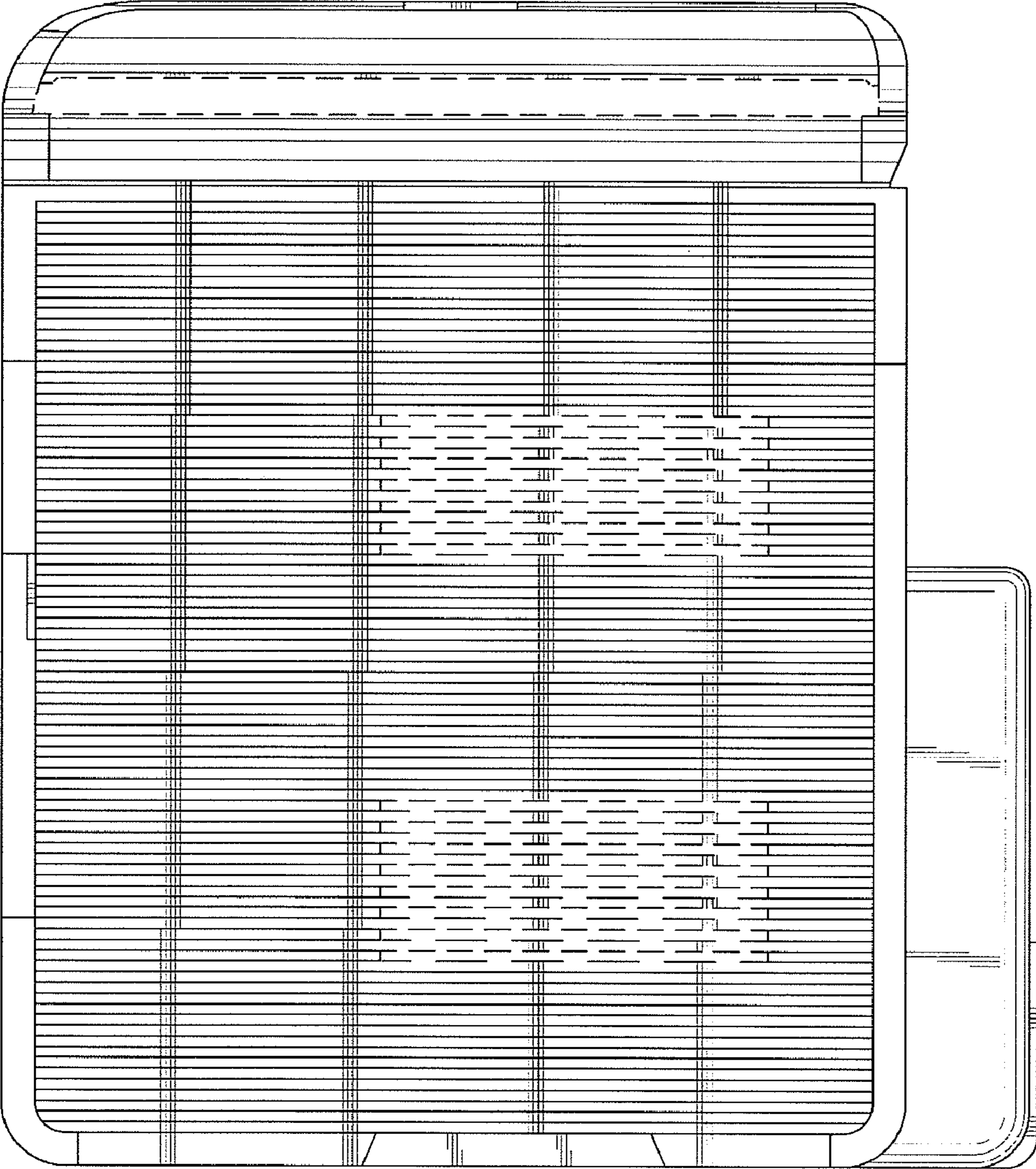


FIG. 5

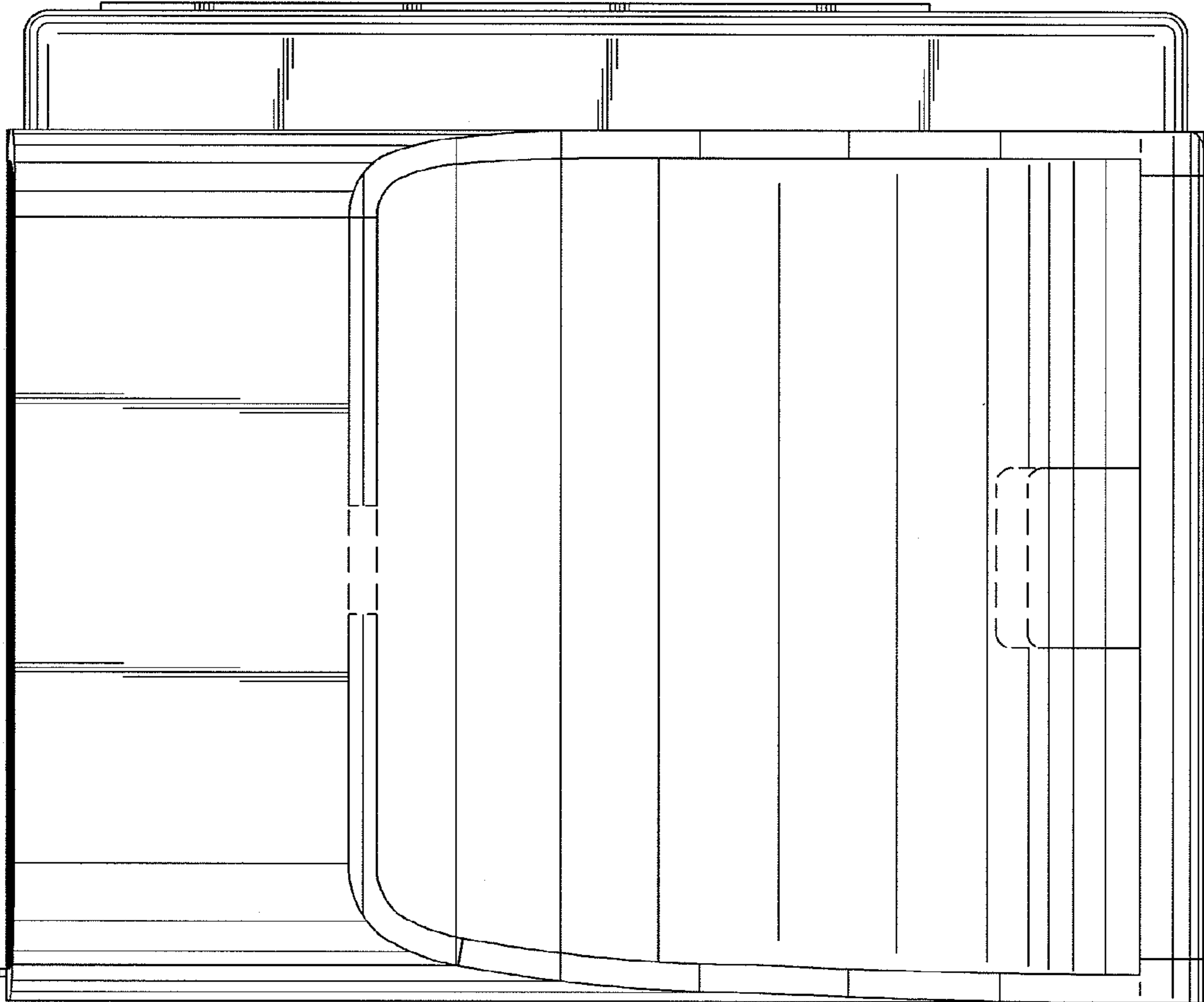


FIG. 6

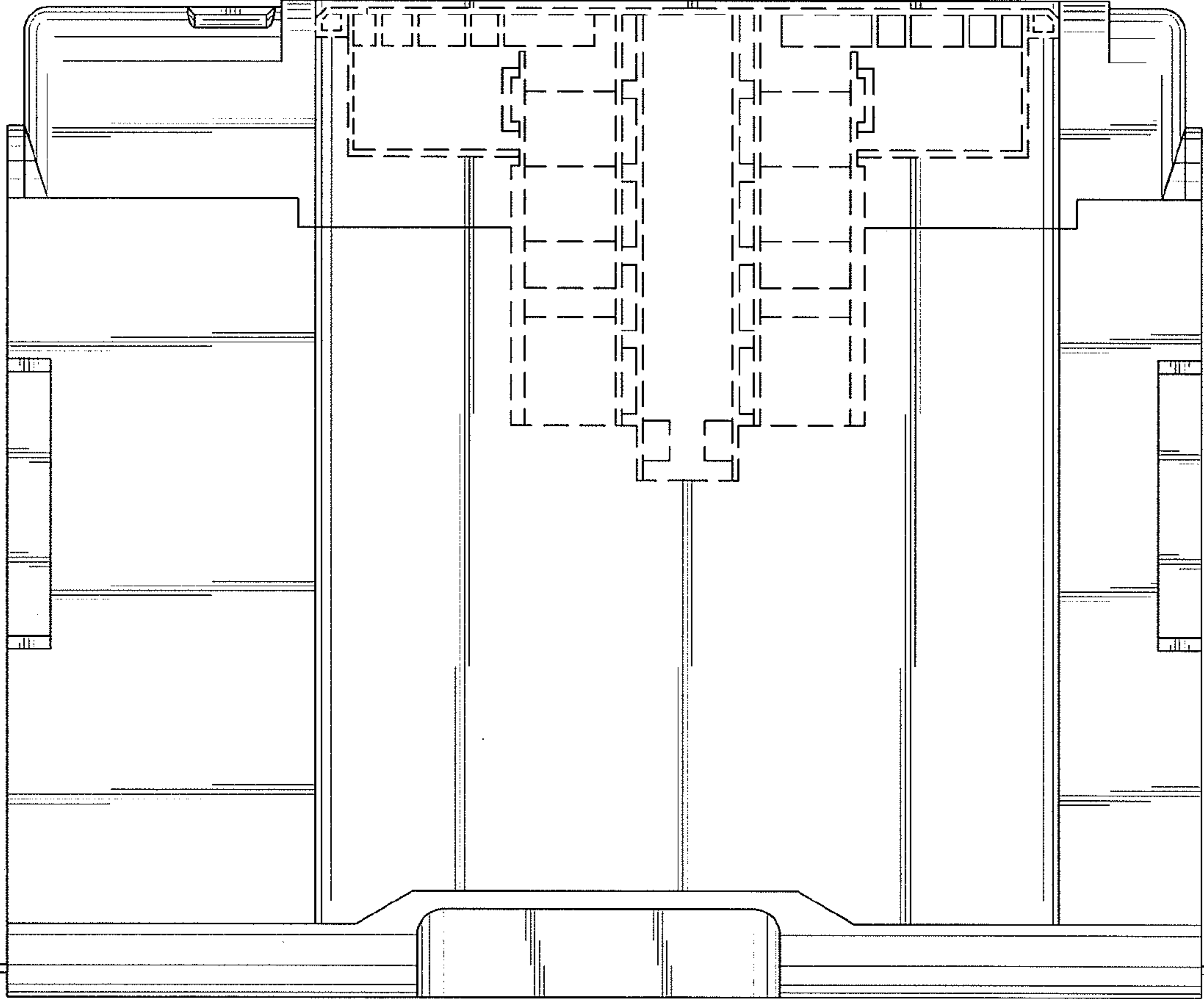


FIG.7