



US00D676478S

(12) **United States Design Patent**
Uehara

(10) **Patent No.:** **US D676,478 S**
(45) **Date of Patent:** **** Feb. 19, 2013**

(54) **VIDEO CAMERA**

(75) Inventor: **Mitsuhiko Uehara**, Tokyo (JP)

(73) Assignee: **Sony Corporation**, Tokyo (JP)

(**) Term: **14 Years**

(21) Appl. No.: **29/371,305**

(22) Filed: **Dec. 23, 2010**

(30) **Foreign Application Priority Data**

Jun. 23, 2010 (JP) D2010-015449

(51) **LOC (9) Cl.** **16-01**

(52) **U.S. Cl.** **D16/203**

(58) **Field of Classification Search** D10/106;
D16/200, 202, 203, 208, 218; 348/143, 373-376;
396/427, 535-541

See application file for complete search history.

(56) **References Cited**

U.S. PATENT DOCUMENTS

3,739,703	A *	6/1973	Behles	396/427
5,181,120	A *	1/1993	Hickey et al.	348/373
D416,273	S *	11/1999	Yamakawa et al.	D16/203
D450,075	S	11/2001	Uehara		
6,715,940	B2 *	4/2004	Top et al.	396/427
D499,125	S *	11/2004	Adachi et al.	D16/203
7,661,890	B2 *	2/2010	Basho	348/143
D639,842	S *	6/2011	Zeinoun et al.	D16/203

FOREIGN PATENT DOCUMENTS

JP	D1195837	S	2/2004
JP	D1195840	S	2/2004
JP	D1195858	S	2/2004
JP	D1203128	S	4/2004

OTHER PUBLICATIONS

Web page, SNC-DH210/W, <http://www.sony.jp/snc/products/SNC-DH210/index.html>, 1 sheet, Sony Corporation, Jun. 10, 2011.

Web page, SNC-DH210T/W, <http://www.sony.jp/snc/products/SNC-DH210T/index.html>, 2 sheets, Sony Corporation, Jun. 17, 2011.

Web page, Panasonic Ideas for Life, BB-HCM705, <http://panasonic.net/pcc/products/netwcam/lineup/bb-hcm705/> 2 sheets, Panasonic Corporation, Jun. 17, 2011.

Web page, Panasonic Ideas for Life, BB-HCM547, <http://panasonic.net/pcc/products/netwcam/lineup/bb-hcm547/> 2 sheets, Panasonic Corporation, Jun. 16, 2011.

* cited by examiner

Primary Examiner — Adir Aronovich

(74) *Attorney, Agent, or Firm* — Rader, Fishman & Grauer PLLC

(57) **CLAIM**

The ornamental design for a video camera, as shown and described.

DESCRIPTION

FIG. 1 is a front elevational view of a video camera showing my new design;

FIG. 2 is a rear elevational view thereof;

FIG. 3 is a left side elevational view thereof;

FIG. 4 is a right side elevational view thereof; and,

FIG. 5 is a bottom plan view thereof.

Portions in broken lines are for illustrative purposes only and form no part of claimed design.

1 Claim, 5 Drawing Sheets

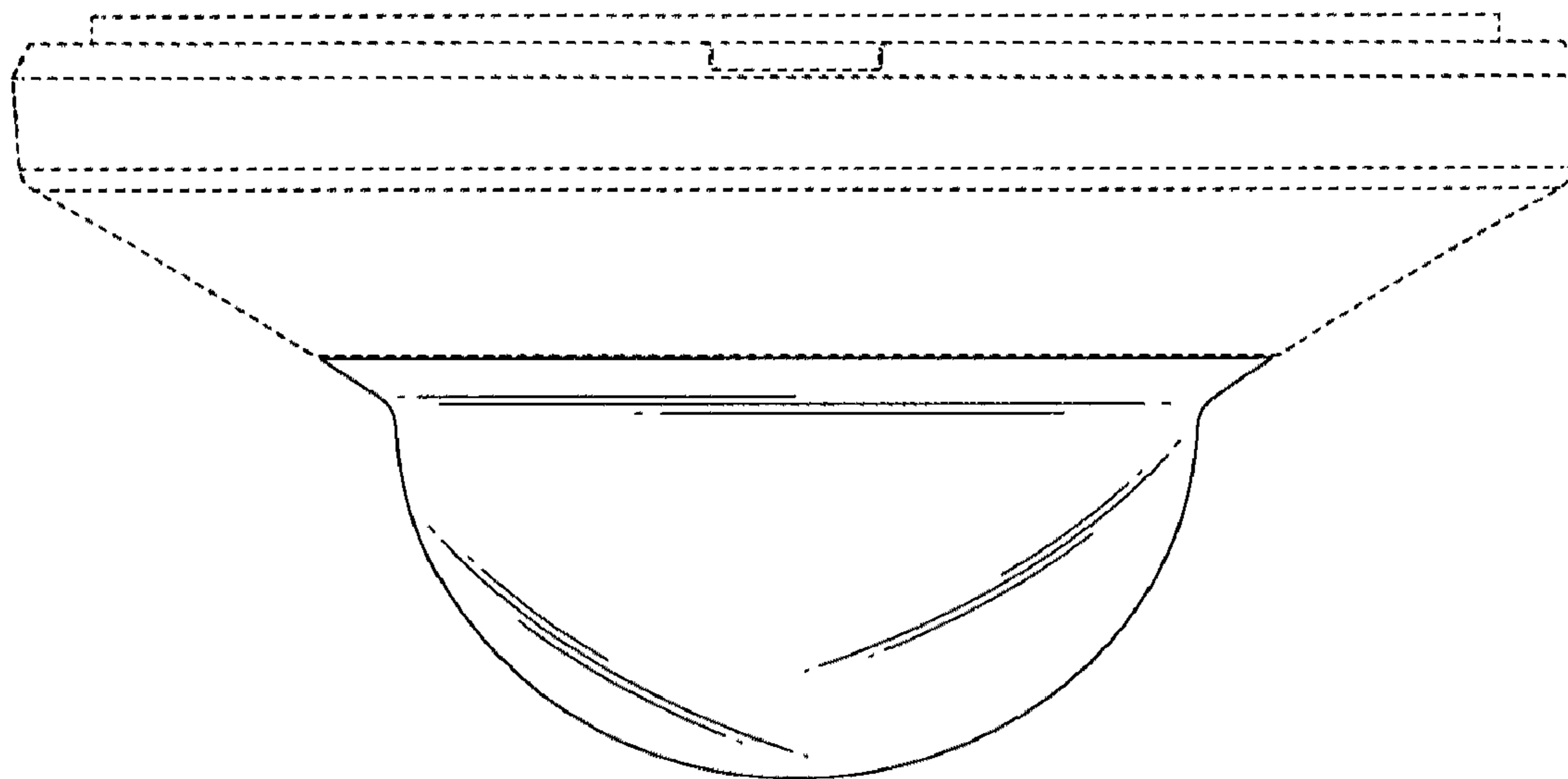


FIG.1

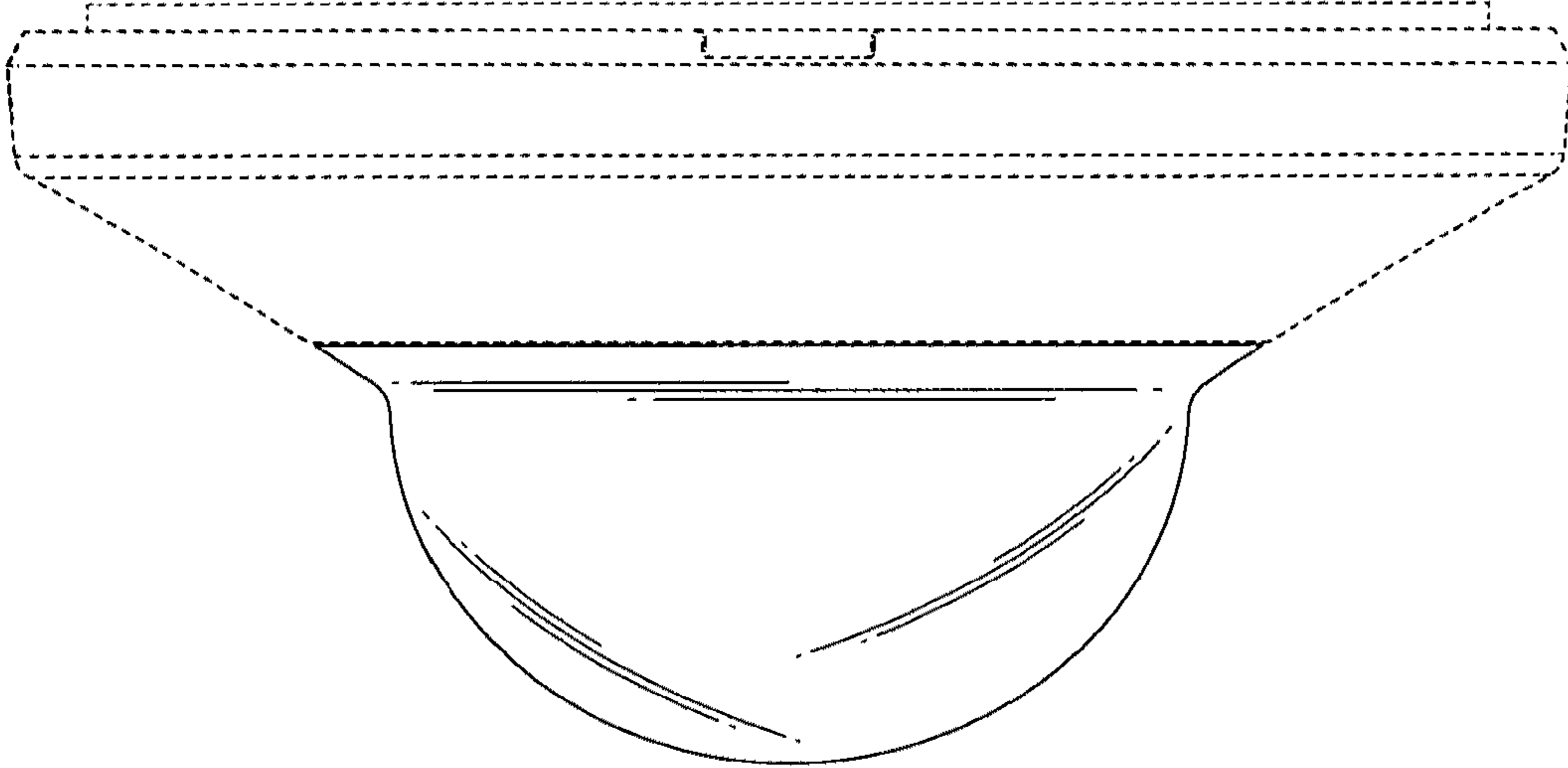


FIG.2

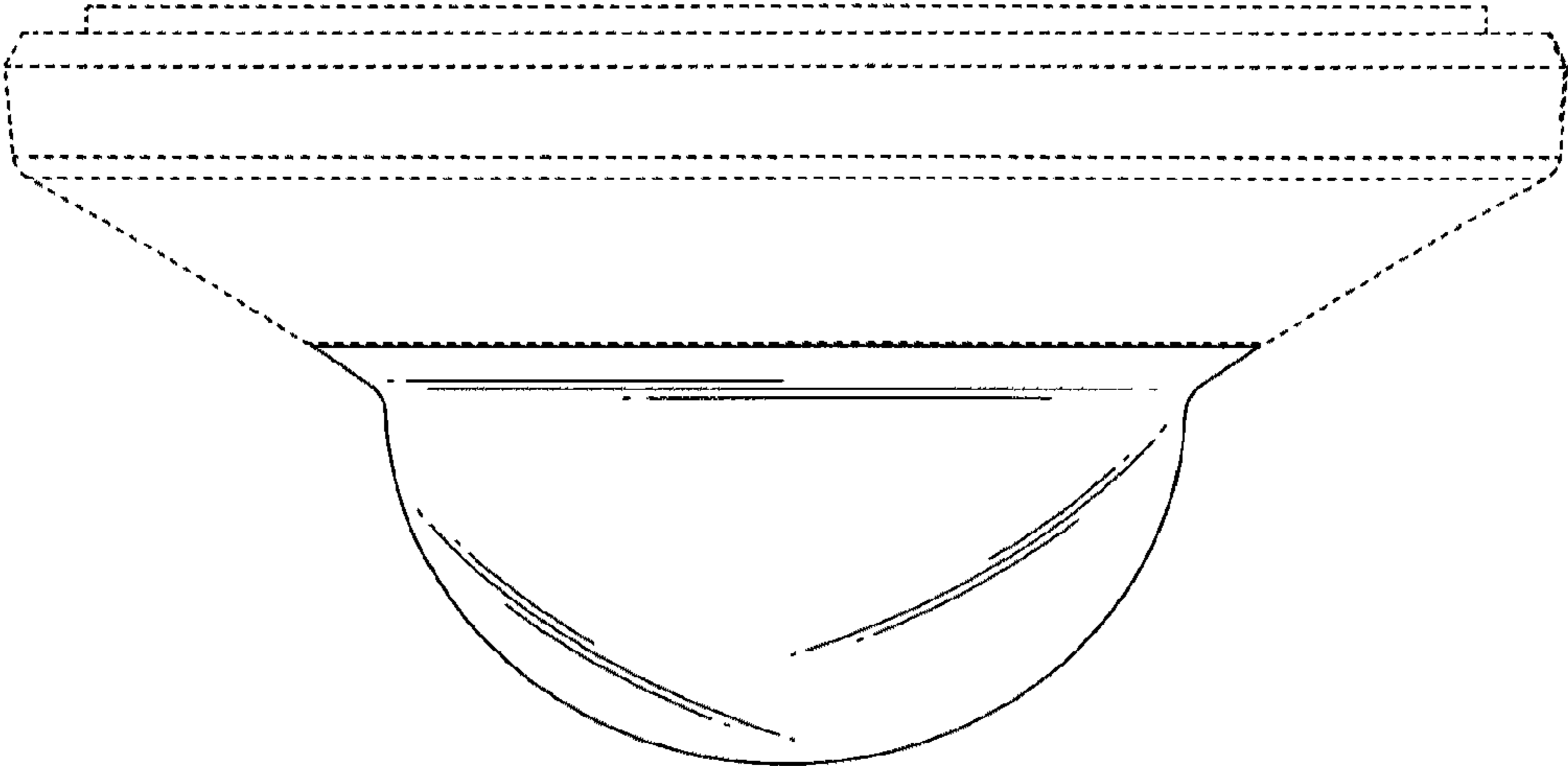


FIG.3

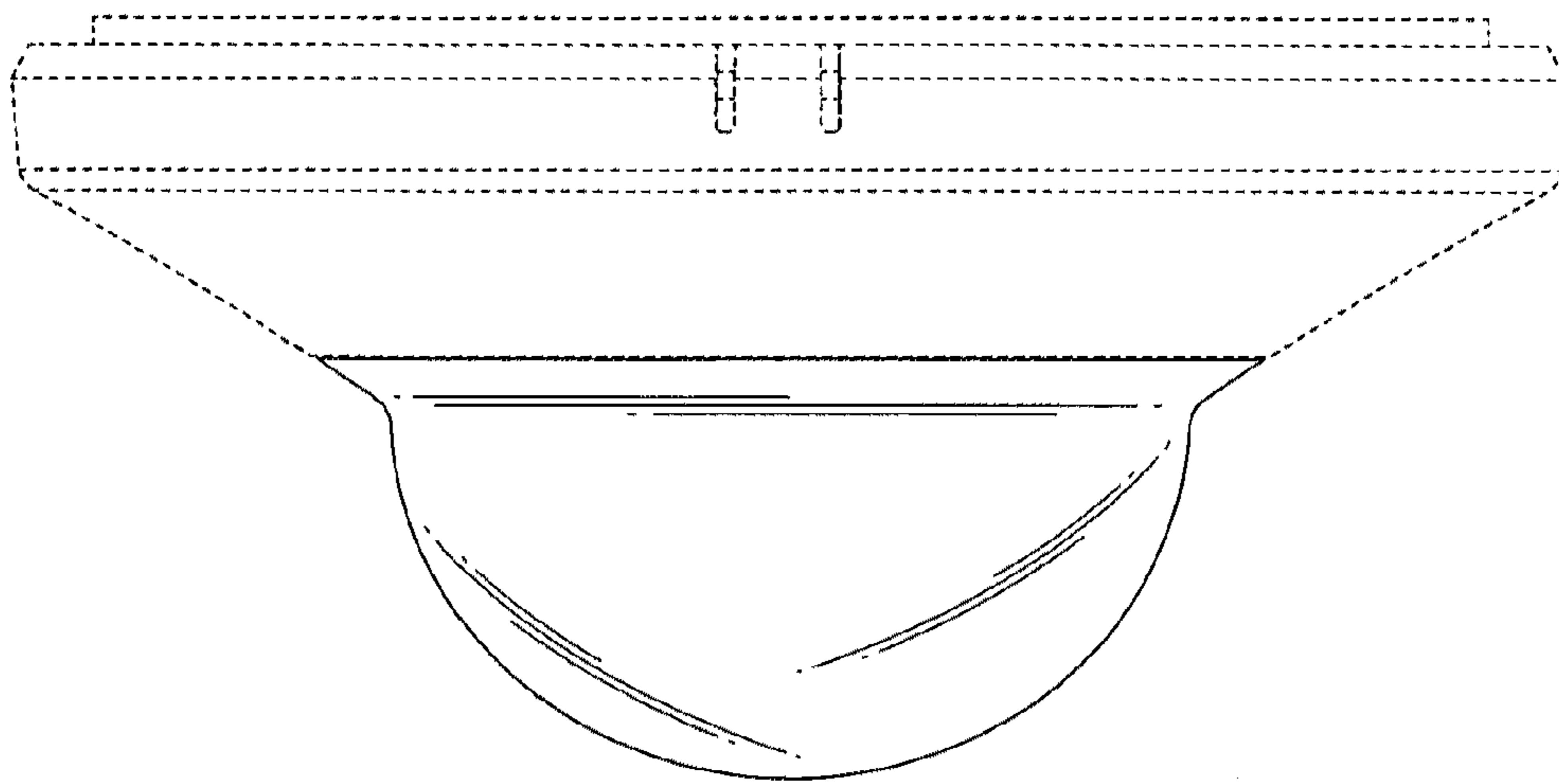


FIG.4

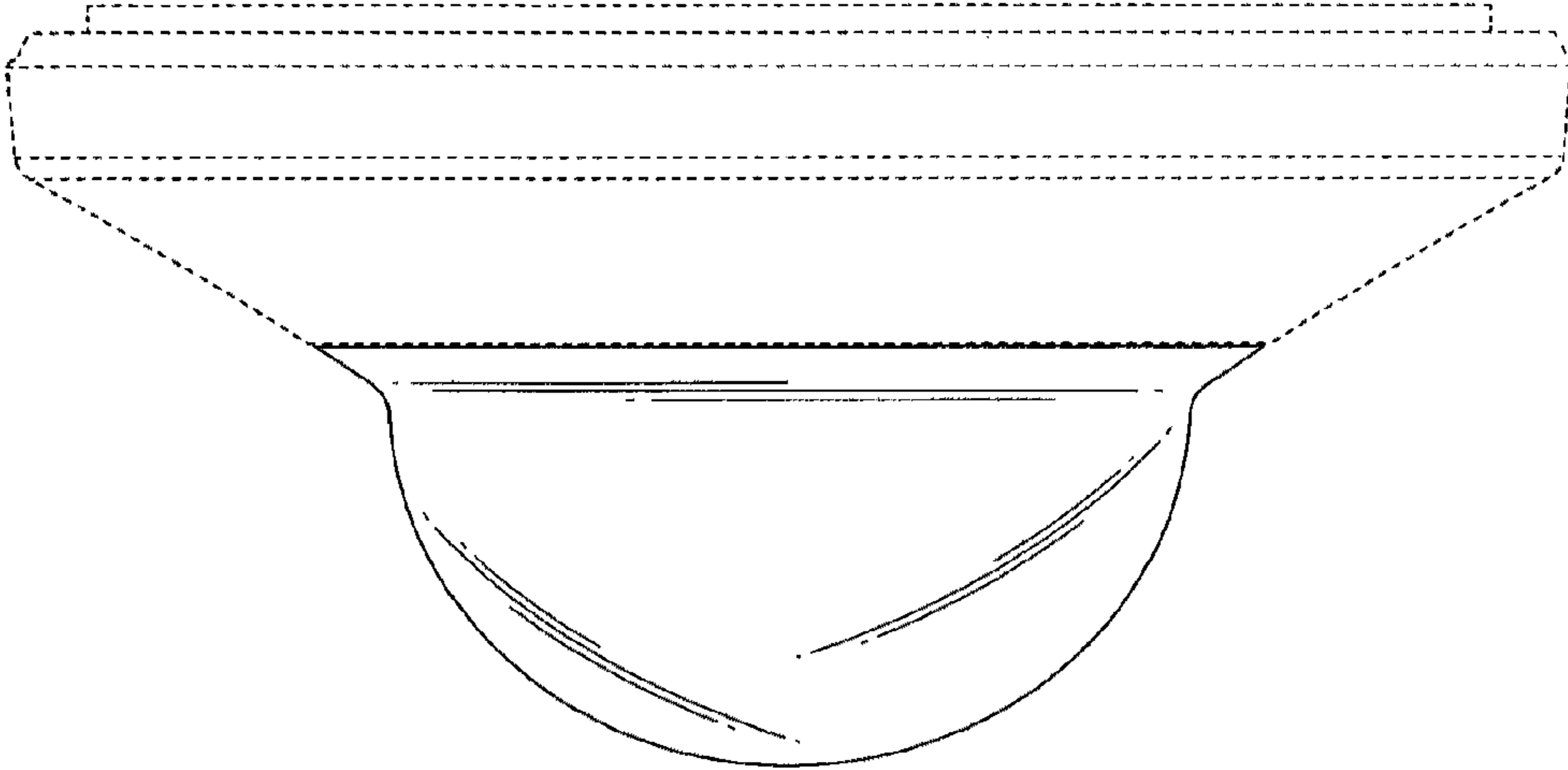


FIG.5

