



US00D676477S

(12) **United States Design Patent**
Chen et al.

(10) **Patent No.:** **US D676,477 S**

(45) **Date of Patent:** **** Feb. 19, 2013**

(54) **TIME LAPSE CAMERA**

(75) Inventors: **Mao-Sung Chen**, Taipei (TW);
Yu-Ching Chou, Taipei (TW)

(73) Assignee: **Brinno Incorporated**, Taipei (TW)

(**) Term: **14 Years**

(21) Appl. No.: **29/407,497**

(22) Filed: **Nov. 30, 2011**

(30) **Foreign Application Priority Data**

Jun. 1, 2011 (TW) 100302735

(51) **LOC (9) Cl.** **16-01**

(52) **U.S. Cl.** **D16/202**

(58) **Field of Classification Search** D16/200–204,
D16/208, 218; 348/373–376; 396/535–541
See application file for complete search history.

(56) **References Cited**

U.S. PATENT DOCUMENTS

D398,018 S * 9/1998 Lee D16/202
D410,480 S * 6/1999 Takagi D16/202
D483,387 S * 12/2003 Chang et al. D16/202

D486,509 S * 2/2004 Suzuki D16/202
6,842,193 B2 * 1/2005 Shimose 348/373
D508,067 S * 8/2005 Deguchi D16/202
D527,405 S * 8/2006 Kim et al. D16/202
D552,650 S * 10/2007 Yamakawa et al. D16/203
D565,070 S * 3/2008 Kim et al. D16/202

* cited by examiner

Primary Examiner — Adir Aronovich

(74) *Attorney, Agent, or Firm* — Schmeiser, Olsen & Watts
LLP

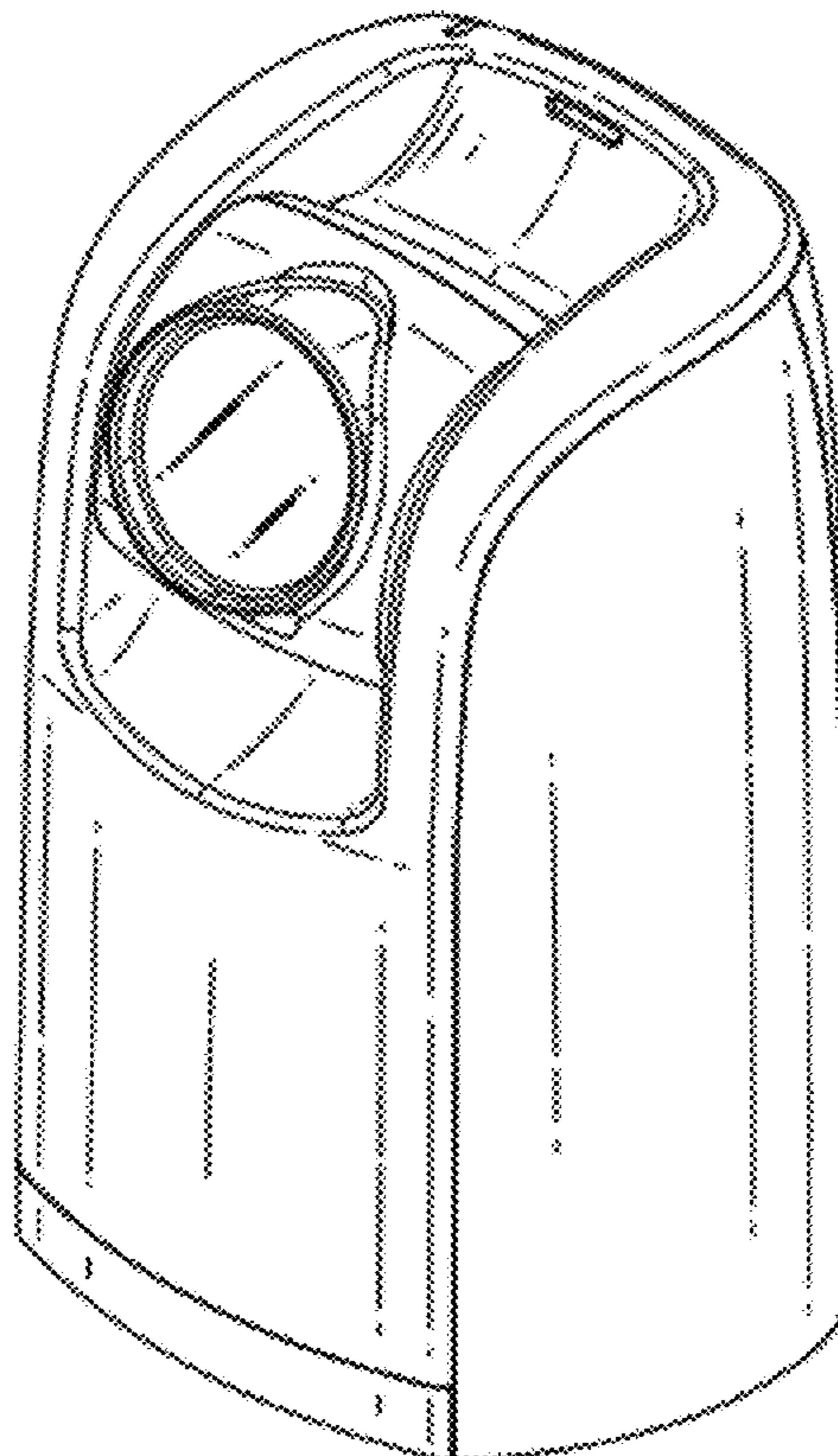
(57) **CLAIM**

The ornamental design for a time lapse camera, as shown and described.

DESCRIPTION

FIG. 1 is a front perspective view of time lapse camera showing the new design;
FIG. 2 is a front elevational view thereof;
FIG. 3 is a rear elevational view thereof;
FIG. 4 is a left side elevational view thereof;
FIG. 5 is a right side elevational view thereof;
FIG. 6 is a top plan view thereof; and,
FIG. 7 is a bottom plan view thereof.

1 Claim, 7 Drawing Sheets



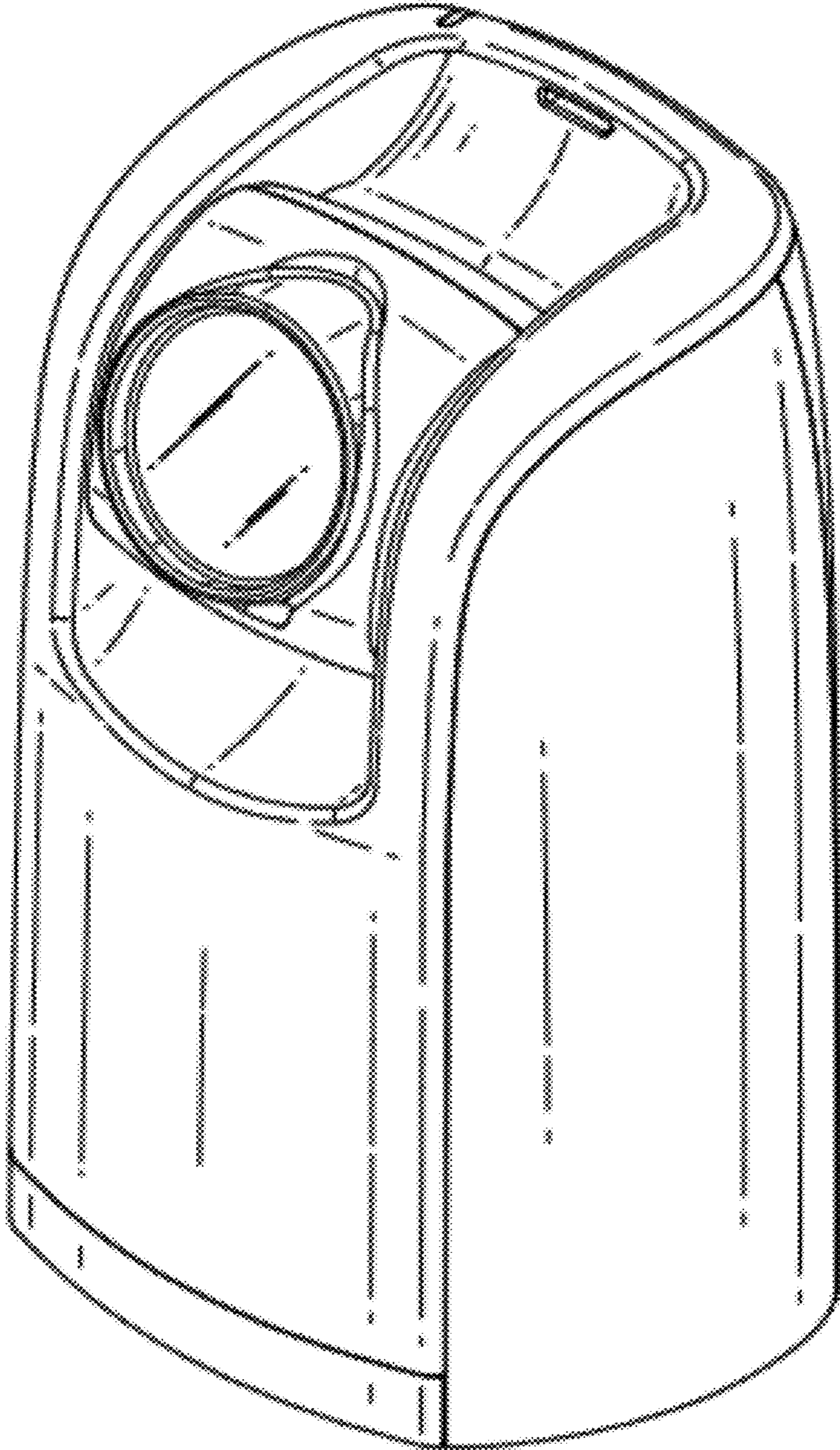


FIG. 1

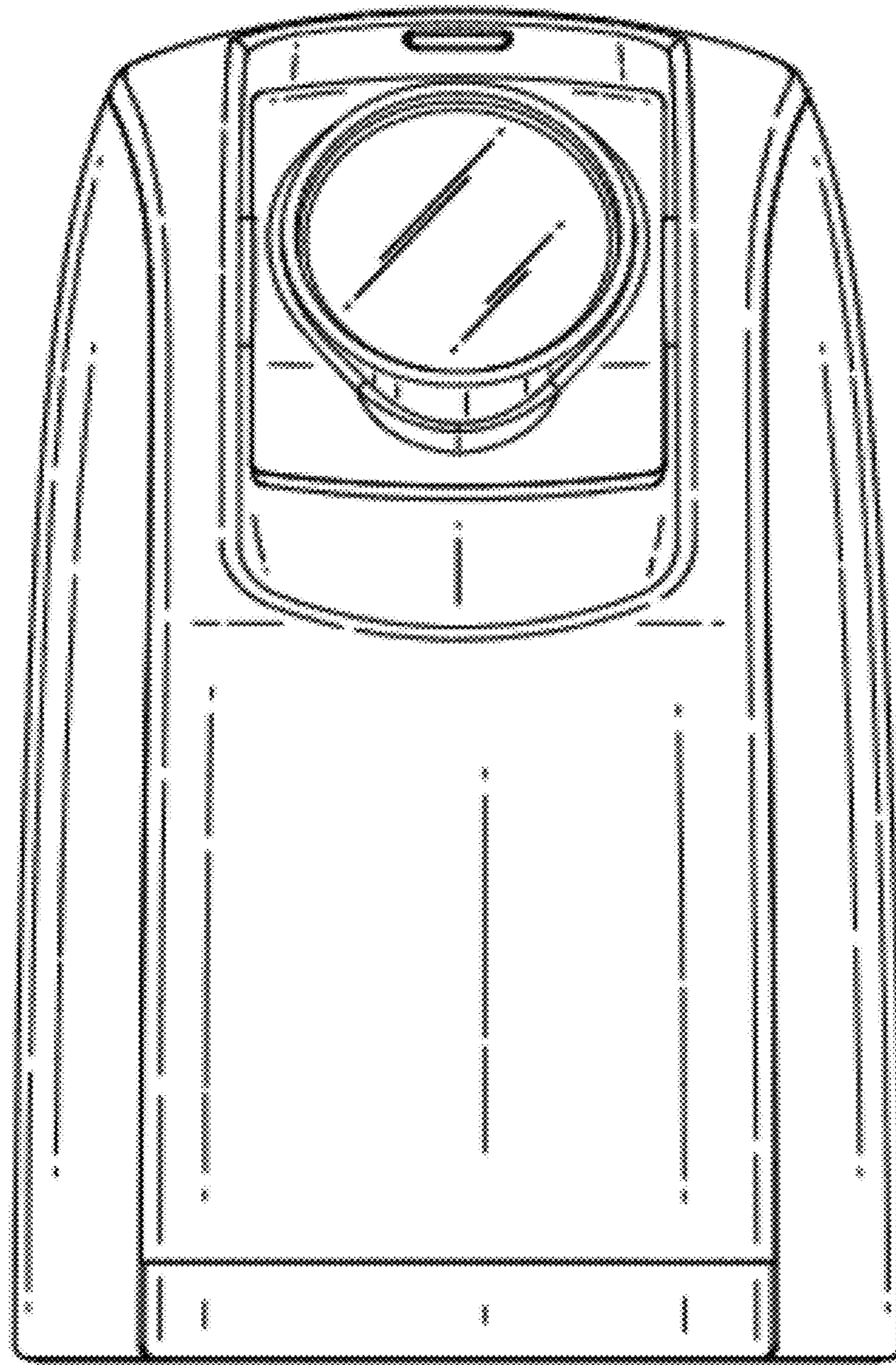


FIG.2

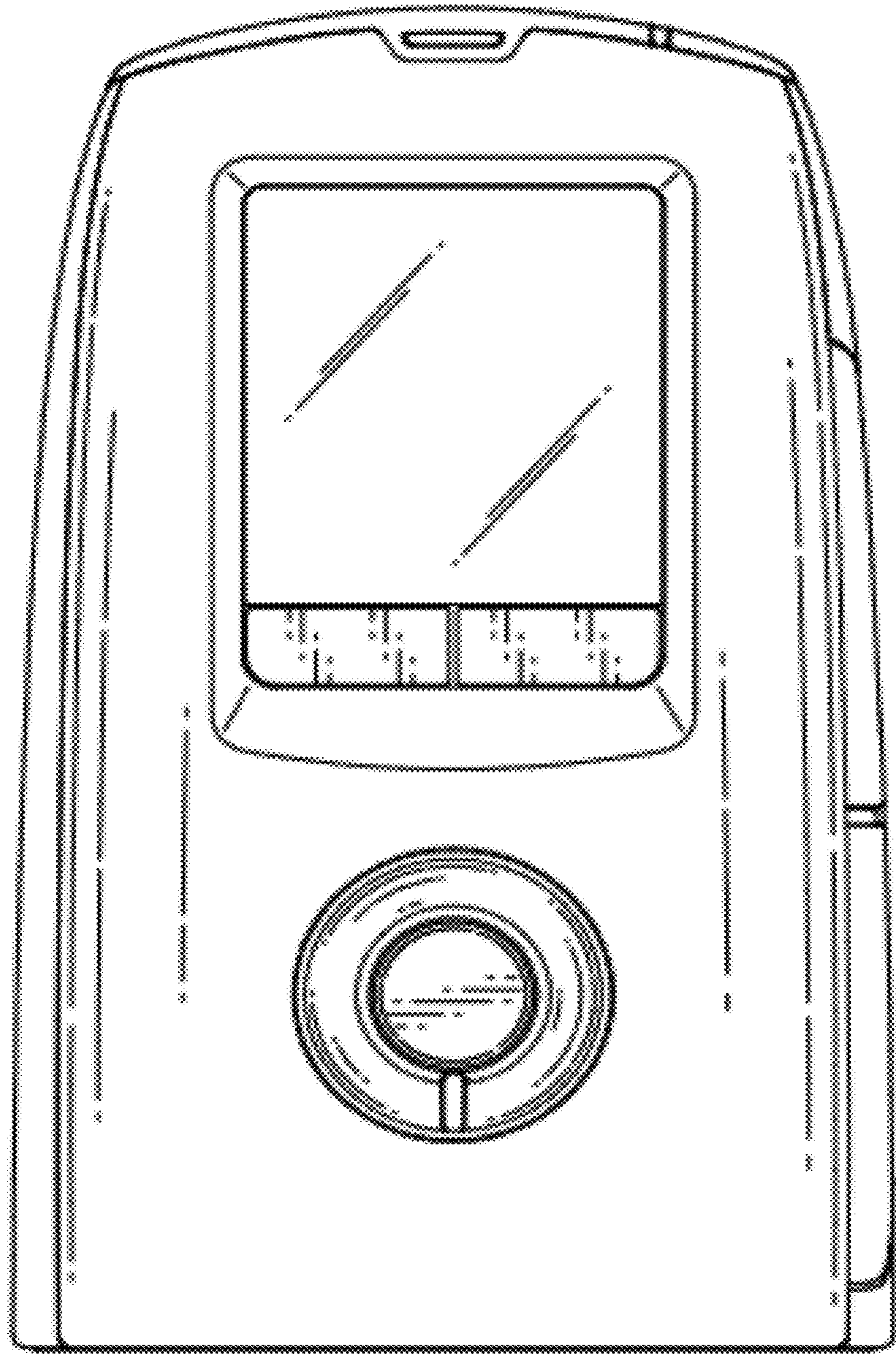


FIG.3

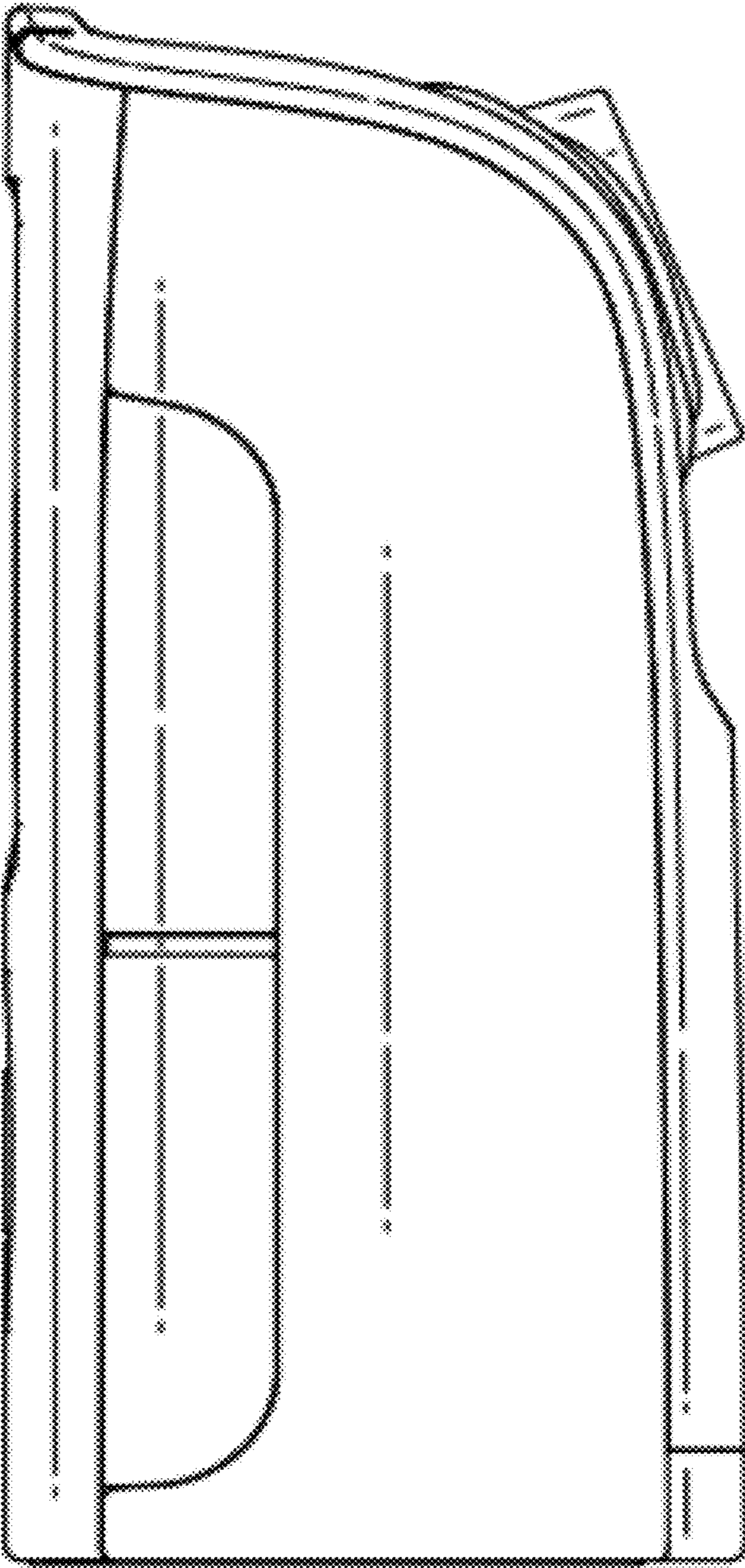


FIG.4

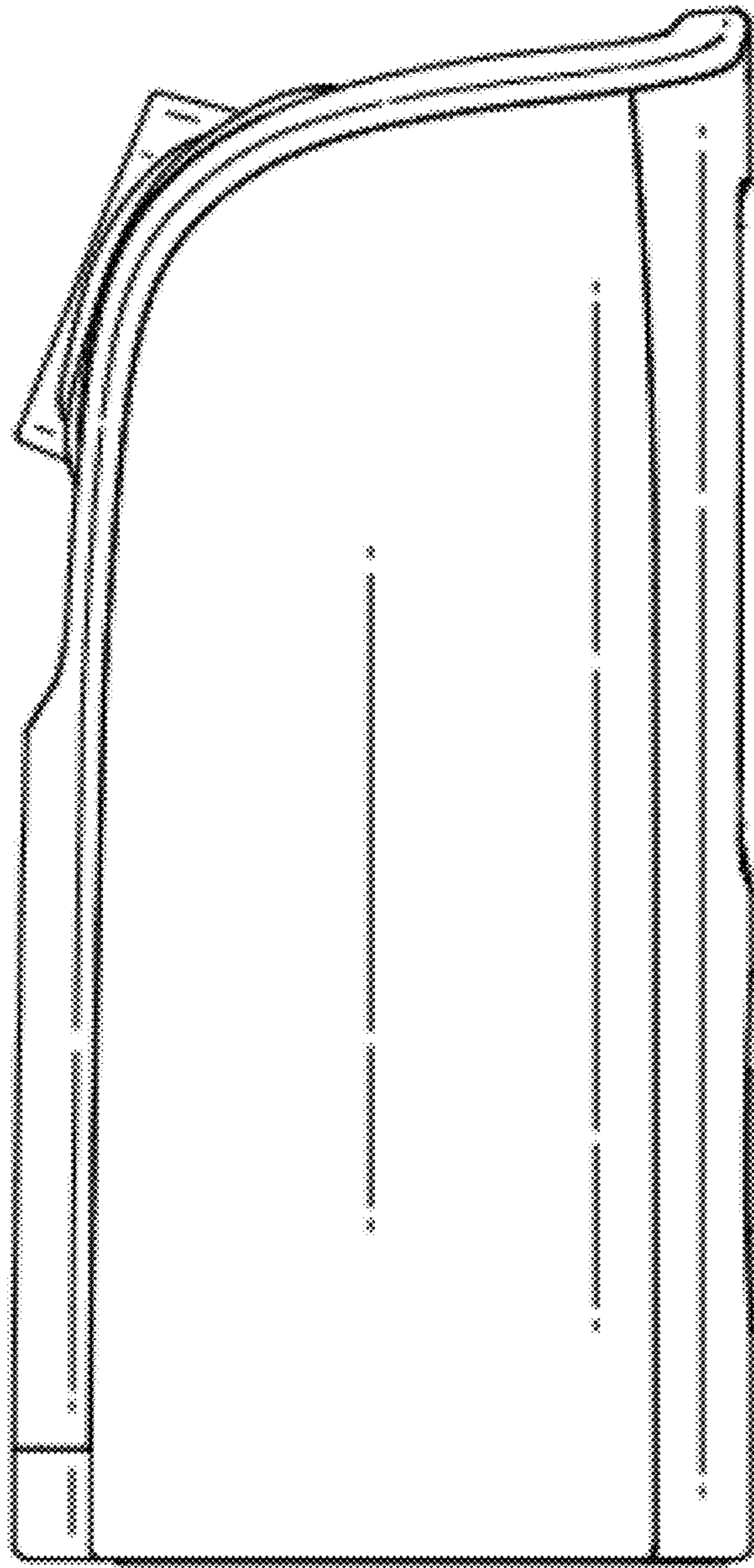


FIG. 5

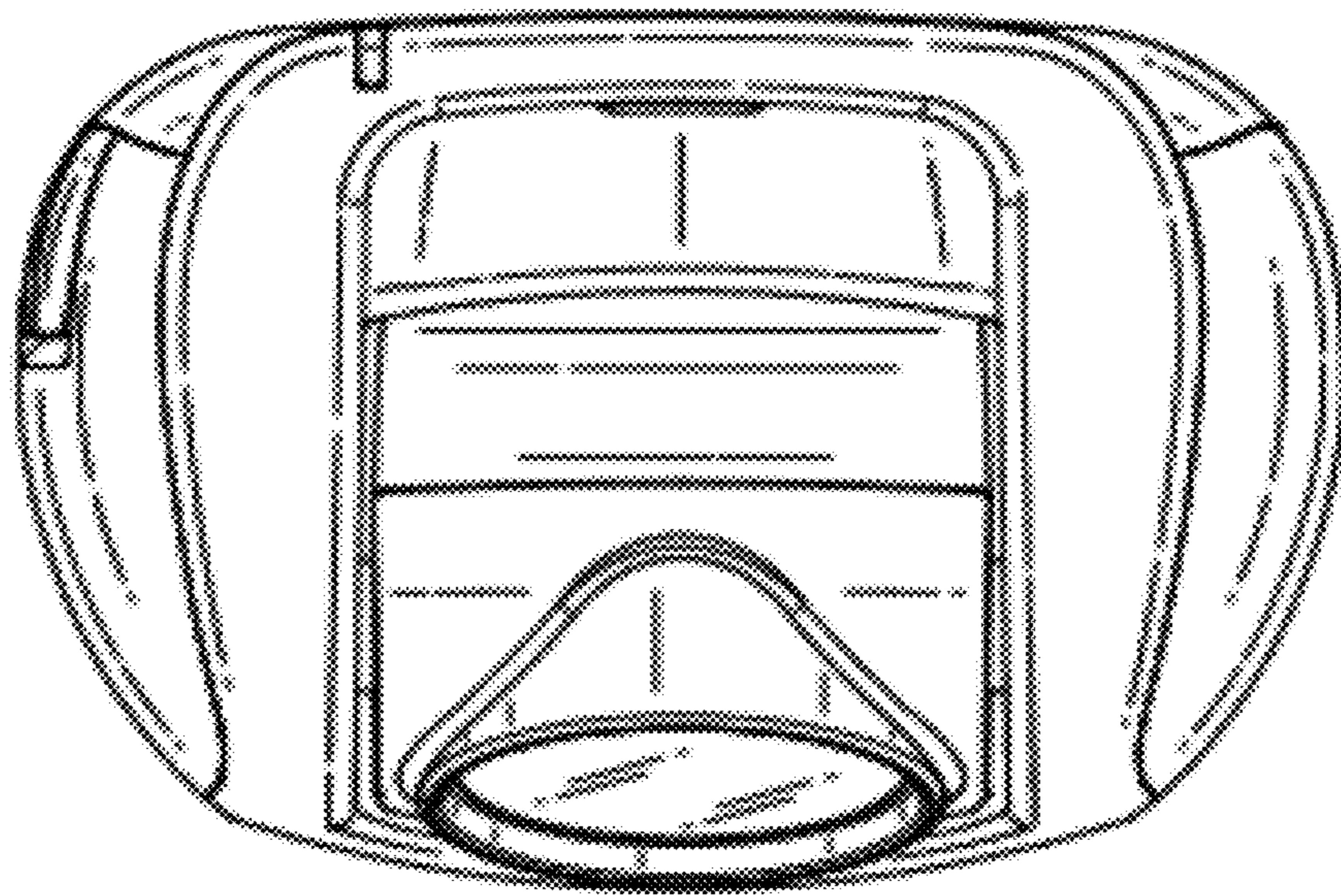


FIG. 6

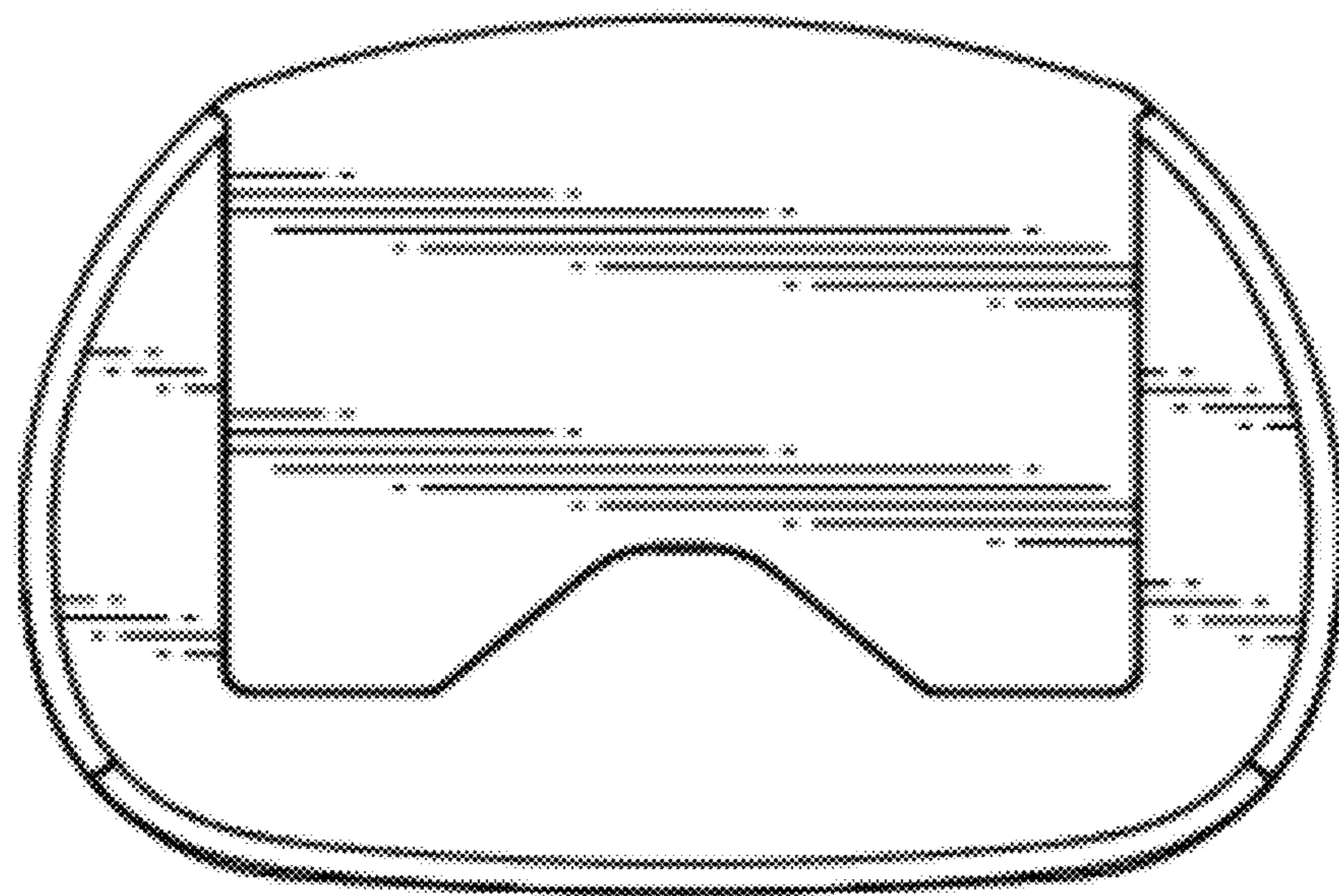


FIG. 7