



US00D676471S

(12) **United States Design Patent**
Marcus et al.

(10) **Patent No.:** **US D676,471 S**
(45) **Date of Patent:** **** Feb. 19, 2013**

(54) **SCALE OR DIAL FOR THE ADJUSTMENT OF AN EXPANDABLE REAMING SYSTEM**

(75) Inventors: **Paul Marcus**, Nuremberg (DE); **Horst Manfred Jaeger**, Nuremberg (DE)

(73) Assignee: **Kennametal Inc.**, Latrobe, PA (US)

(**) Term: **14 Years**

(21) Appl. No.: **29/385,504**

(22) Filed: **Feb. 15, 2011**

(30) **Foreign Application Priority Data**

Aug. 27, 2010 (EM) 001231542

(51) **LOC (9) Cl.** **15-09**

(52) **U.S. Cl.** **D15/138**

(58) **Field of Classification Search** D15/138,
D15/144, 144.1, 144.2; 70/14, 21, 22, 23,
70/51, 52, 258, 286, 431, 334, 332, 442-446;
72/348; 215/328; 401/117; 428/64
See application file for complete search history.

(56) **References Cited**

U.S. PATENT DOCUMENTS

D284,265 S * 6/1986 Resan D8/382
4,804,733 A * 2/1989 Bataille 428/34.9
D423,514 S * 4/2000 Shindo D14/240

D449,720 S * 10/2001 Costello D32/28
D497,792 S * 11/2004 Haas D8/338
6,819,509 B2 * 11/2004 Wisecarver et al. 359/819
D537,719 S * 3/2007 Seidita D9/453
D661,961 S * 6/2012 Bystedt D8/70

* cited by examiner

Primary Examiner — Patricia Palasik

(74) *Attorney, Agent, or Firm* — Larry R. Meenan, Esq.

(57) **CLAIM**

The ornamental design for a scale or dial for the adjustment of an expandable reaming system, as shown and described.

DESCRIPTION

FIG. 1 is a front view in a first position of the scale or dial for the adjustment of an expandable reaming system in accordance with our new design;

FIG. 2 is a top view of the scale or dial for the adjustment of an expandable reaming system in accordance with our new design;

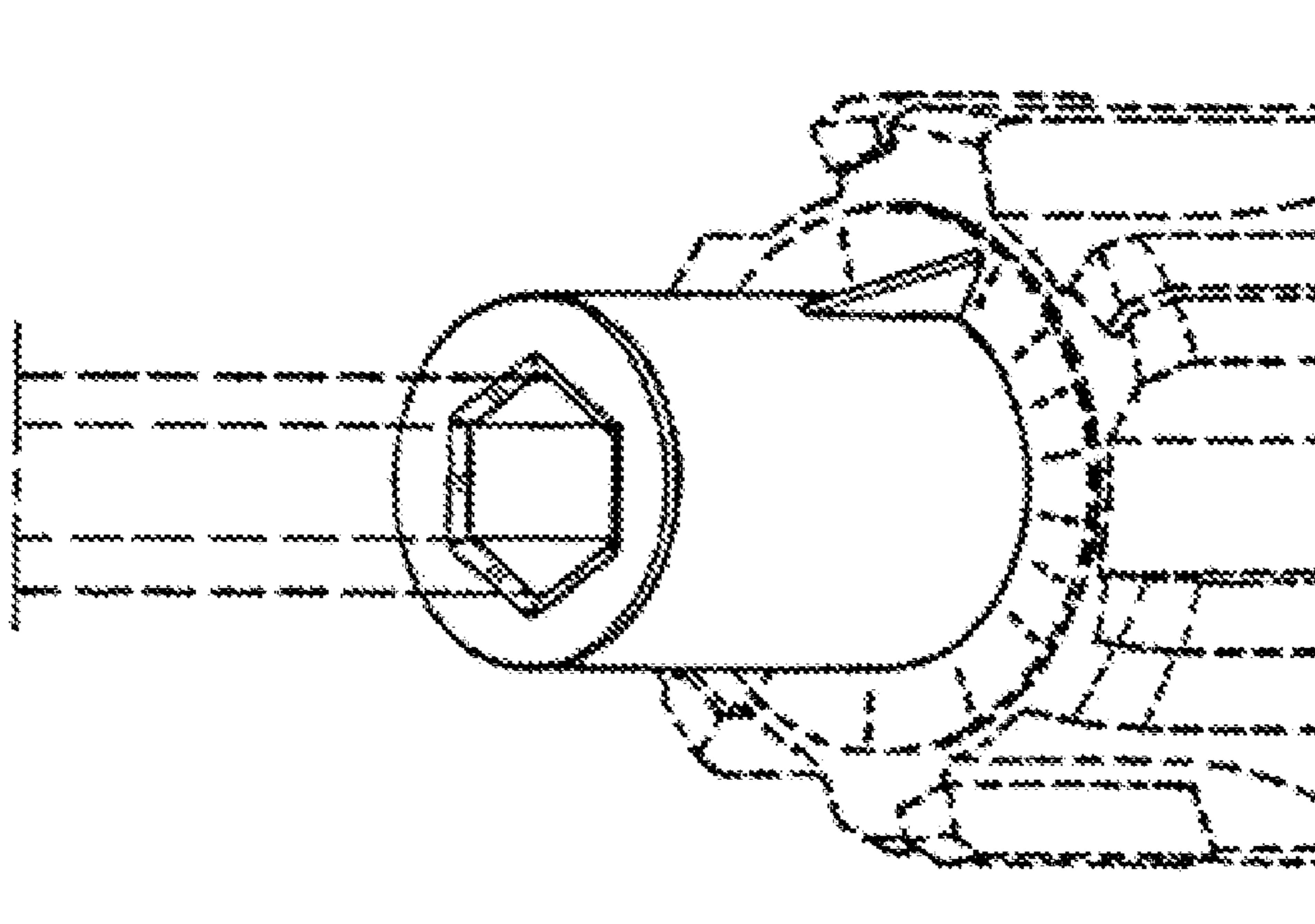
FIG. 3 is a bottom view of the scale or dial for the adjustment of an expandable reaming system;

FIG. 4 is an end view of the scale or dial for the adjustment of an expandable reaming system in FIG. 1; and,

FIG. 5 is a perspective view of the scale or dial for the adjustment of an expandable reaming system.

The broken line showing of FIGS. 1-5 are environmental only and are not part of the claimed design.

1 Claim, 2 Drawing Sheets



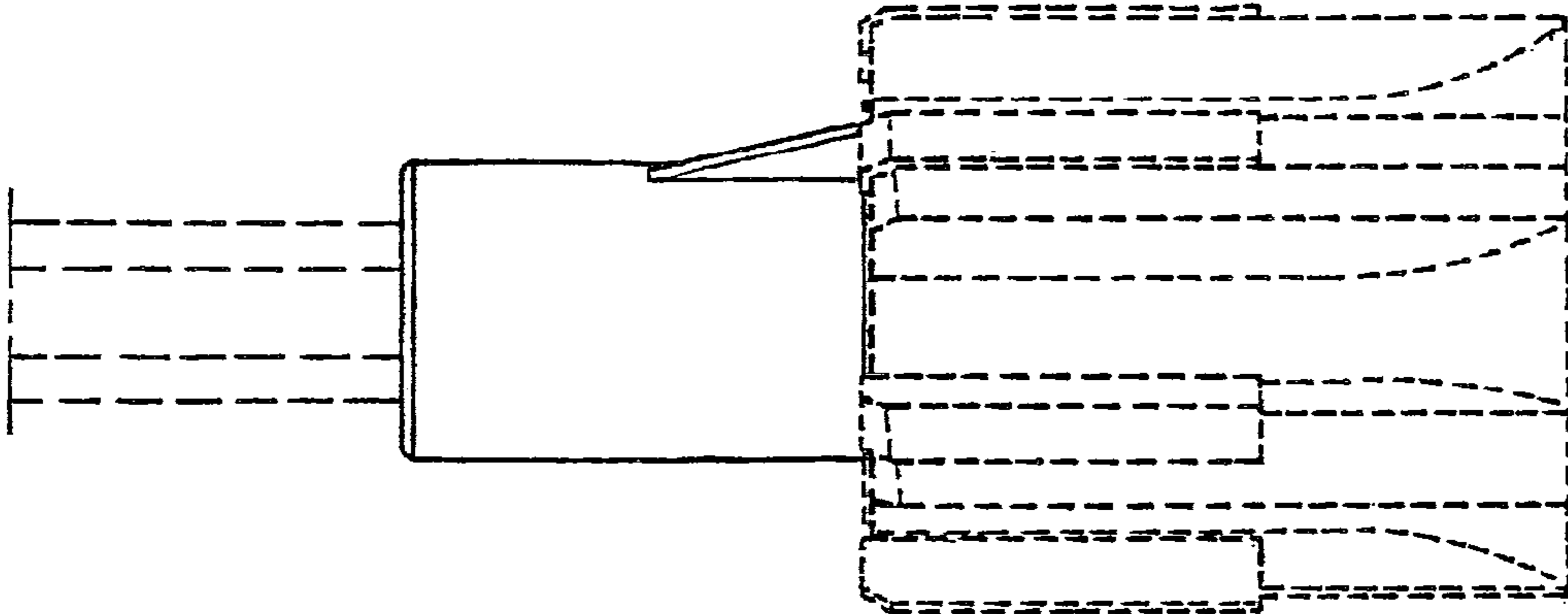


Fig. 1

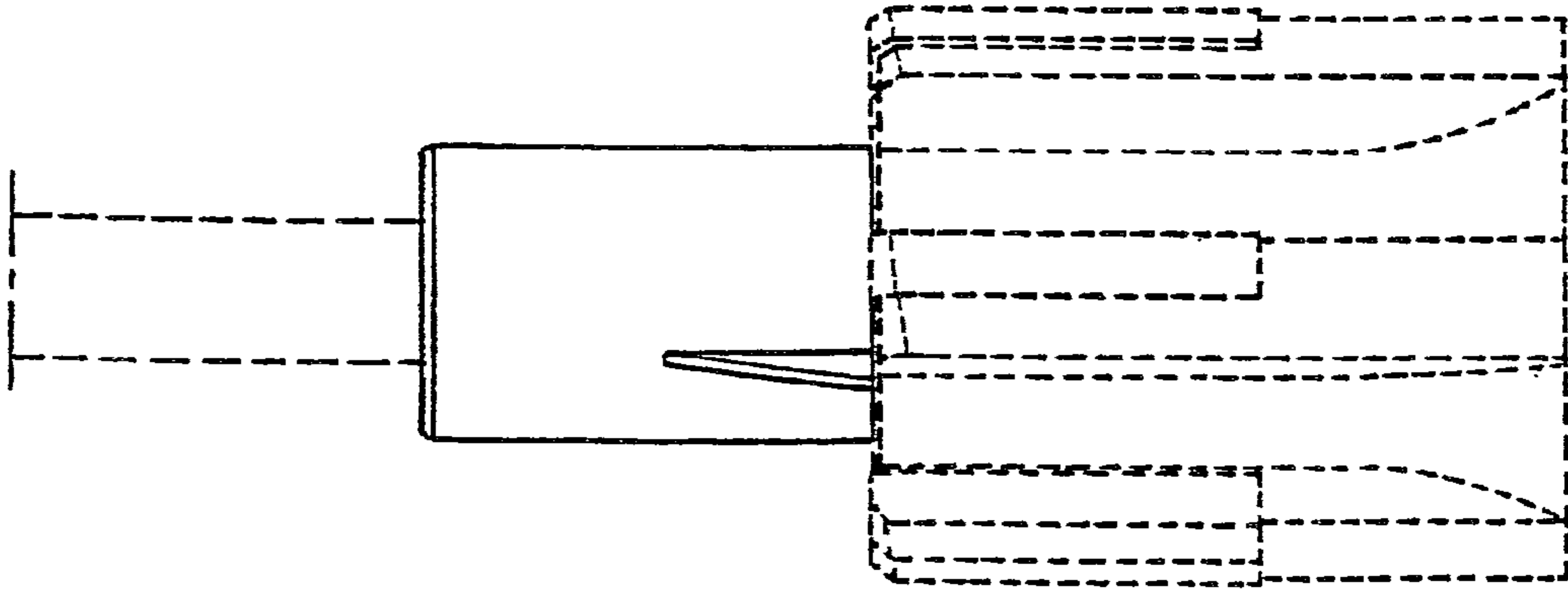


Fig. 2

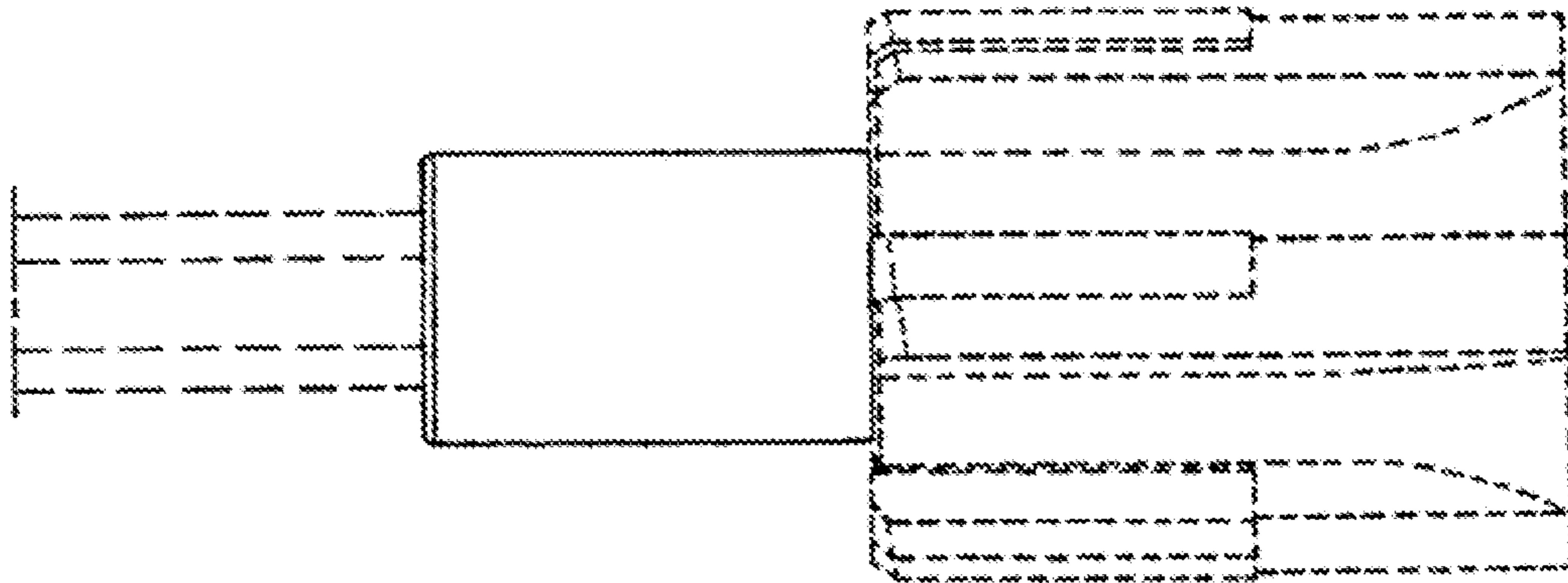


Fig. 3

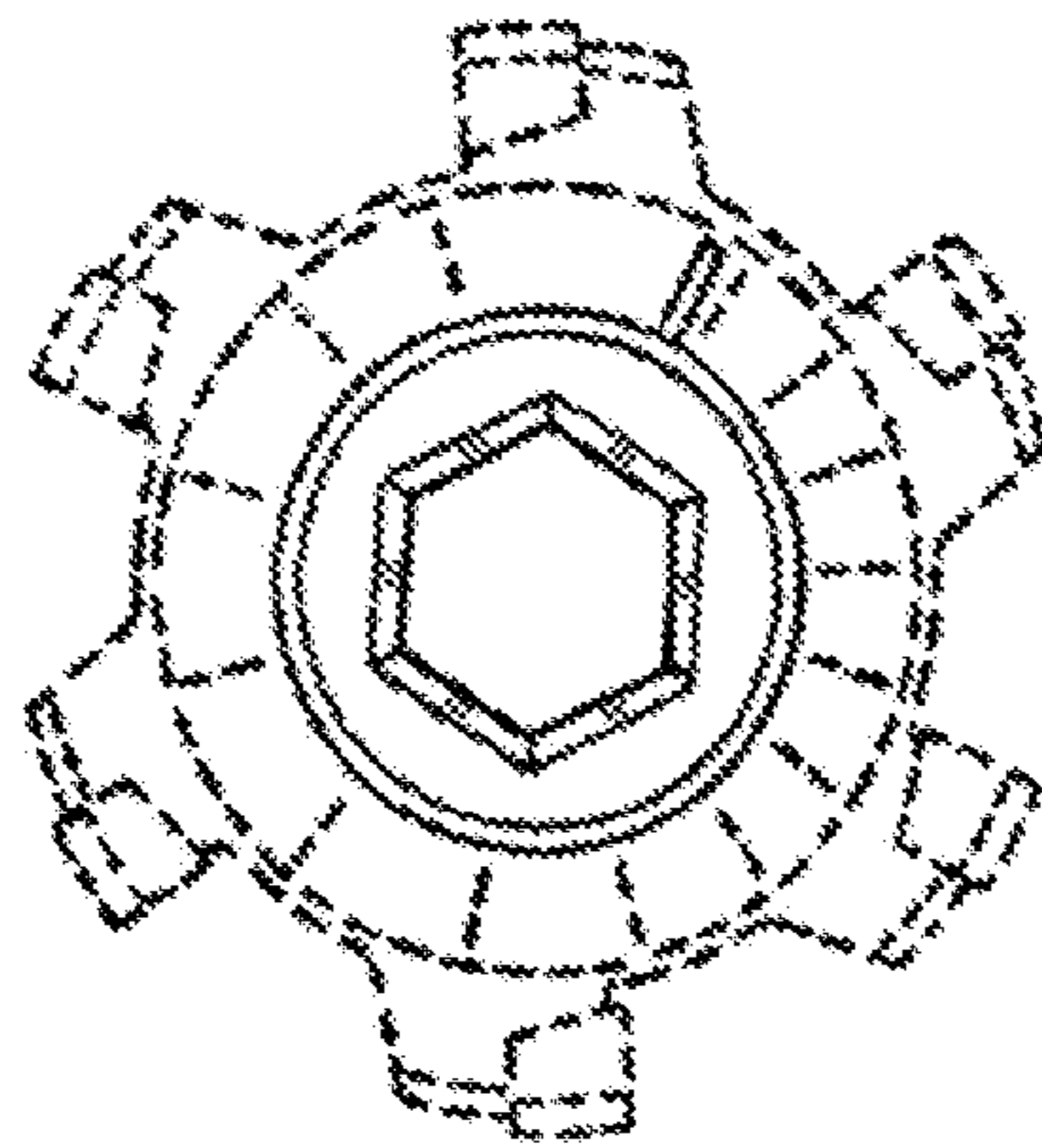


Fig. 4

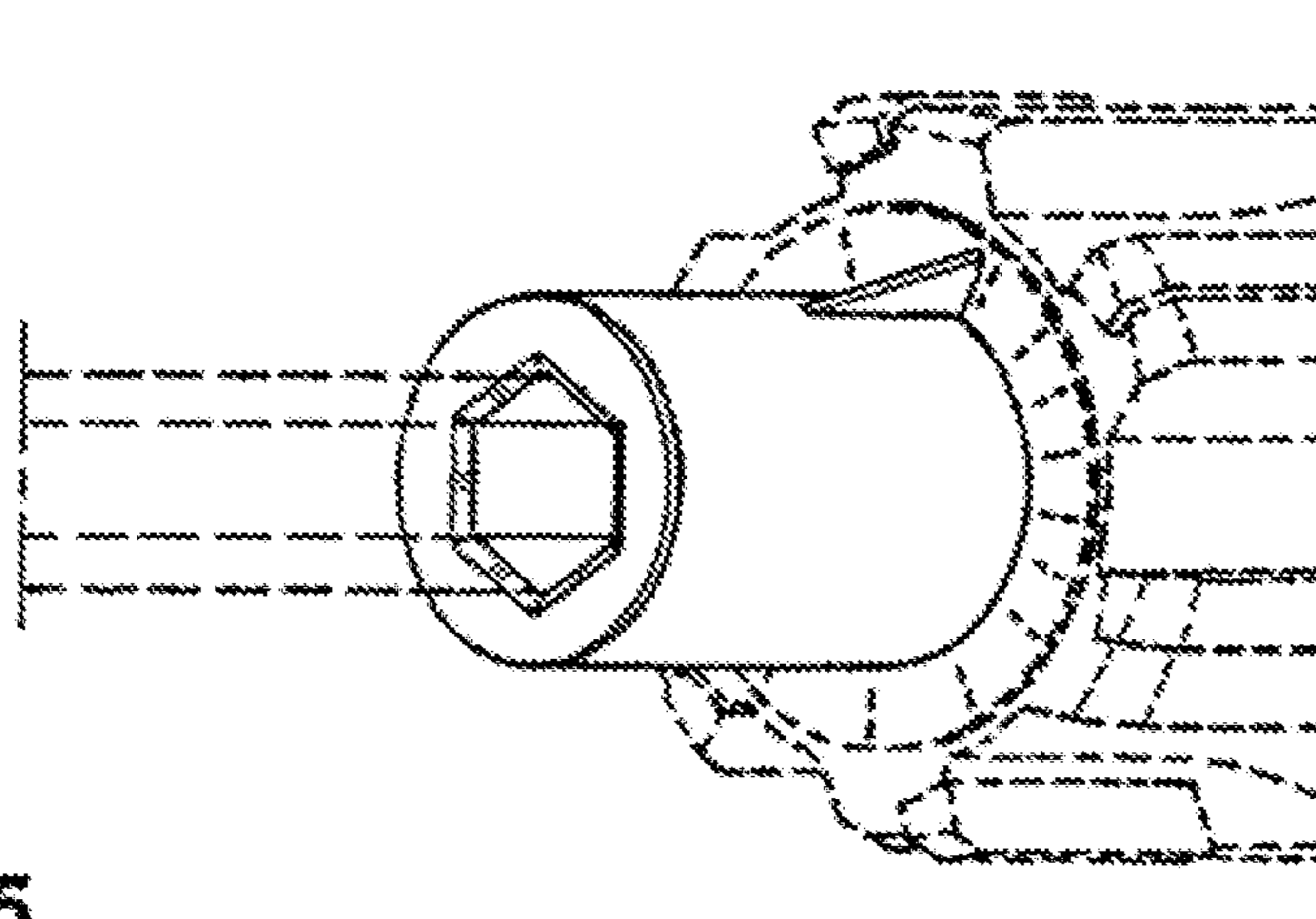


Fig. 5