

US00D676466S

(12) **United States Design Patent**
Ewringmann et al.

(10) **Patent No.:** **US D676,466 S**

(45) **Date of Patent:** **** Feb. 19, 2013**

(54) **ENGINE HOOD OF A ROAD CONSTRUCTION MACHINE**

(75) Inventors: **Ulrich Ewringmann**, Taufkirchen (DE);
Boris Eickhoff, Taufkirchen (DE)

(73) Assignee: **Hamm AG**, Tirschenreuth (DE)

(**) Term: **14 Years**

(21) Appl. No.: **29/430,978**

(22) Filed: **Aug. 31, 2012**

(30) **Foreign Application Priority Data**

Mar. 15, 2012 (EP) 002009308-01-05

(51) **LOC (9) Cl.** **15-03**

(52) **U.S. Cl.** **D15/31; D15/20**

(58) **Field of Classification Search** D15/10,
D15/11, 28, 22-26, 30, 31, 33; D12/163,
D12/166, 170-172; 56/13.3, 13.4, 15.8,
56/15.9, 16.1, 16.7, 202; 180/89.1, 89.12,
180/900, 68.4, 69.2; 293/115

See application file for complete search history.

(56) **References Cited**

U.S. PATENT DOCUMENTS

D207,532 S *	5/1967	Garis	D15/20
D208,694 S *	9/1967	Harbke	D15/20
D246,370 S *	11/1977	Lorenz	D15/31
D275,678 S *	9/1984	Mawhorr et al.	D15/20
D371,372 S *	7/1996	Westimayer et al.	D15/31
D396,431 S *	7/1998	Lindgren et al.	D12/14
D396,727 S *	8/1998	Geier et al.	D15/20
D413,905 S *	9/1999	Schmidt et al.	D15/31
D483,383 S *	12/2003	Crookes et al.	D15/31
D500,329 S *	12/2004	Bauve et al.	D15/28
D516,094 S *	2/2006	Dotsch et al.	D15/20
D554,669 S *	11/2007	Crookes et al.	D15/31
D560,693 S *	1/2008	Moen et al.	D15/31
D570,382 S *	6/2008	Higashikawa	D15/31
D573,611 S *	7/2008	Geier	D15/20
D589,067 S *	3/2009	Yamamoto	D15/28
7,497,642 B2 *	3/2009	Raymond et al.	404/132
D591,777 S *	5/2009	Kokitkar et al.	D15/31

D592,682 S *	5/2009	Haubrich et al.	D15/20
D602,506 S *	10/2009	Marsolek et al.	D15/30
D607,473 S *	1/2010	Haubrich et al.	D15/20
D611,505 S *	3/2010	Loew et al.	D15/20
D611,506 S *	3/2010	Loew et al.	D15/20
D668,269 S *	10/2012	Tezuka et al.	D15/20

OTHER PUBLICATIONS

Hamm Ag, Hamm, www.hamm.eu/en/produkte/walzenzuege/index.php.

Hamm Ag, Hamm, www.hamm.eu/en/produkte/tandemwalzen/index.php.

Hamm Ag, Hamm, www.hamm.eu/en/produkte/statische-walzen/index.php.

* cited by examiner

Primary Examiner — Mark Goodwin

(74) *Attorney, Agent, or Firm* — Maier & Maier PLLC

(57) **CLAIM**

The ornamental design for an engine hood of a road construction machine, as shown and described.

DESCRIPTION

FIG. 1 is a rear right perspective view of an engine hood of a road construction machine, showing our design;

FIG. 2 is a rear view thereof;

FIG. 3 is a left side view thereof, the right side view being a mirror image of the left side view;

FIG. 4 is a top view thereof;

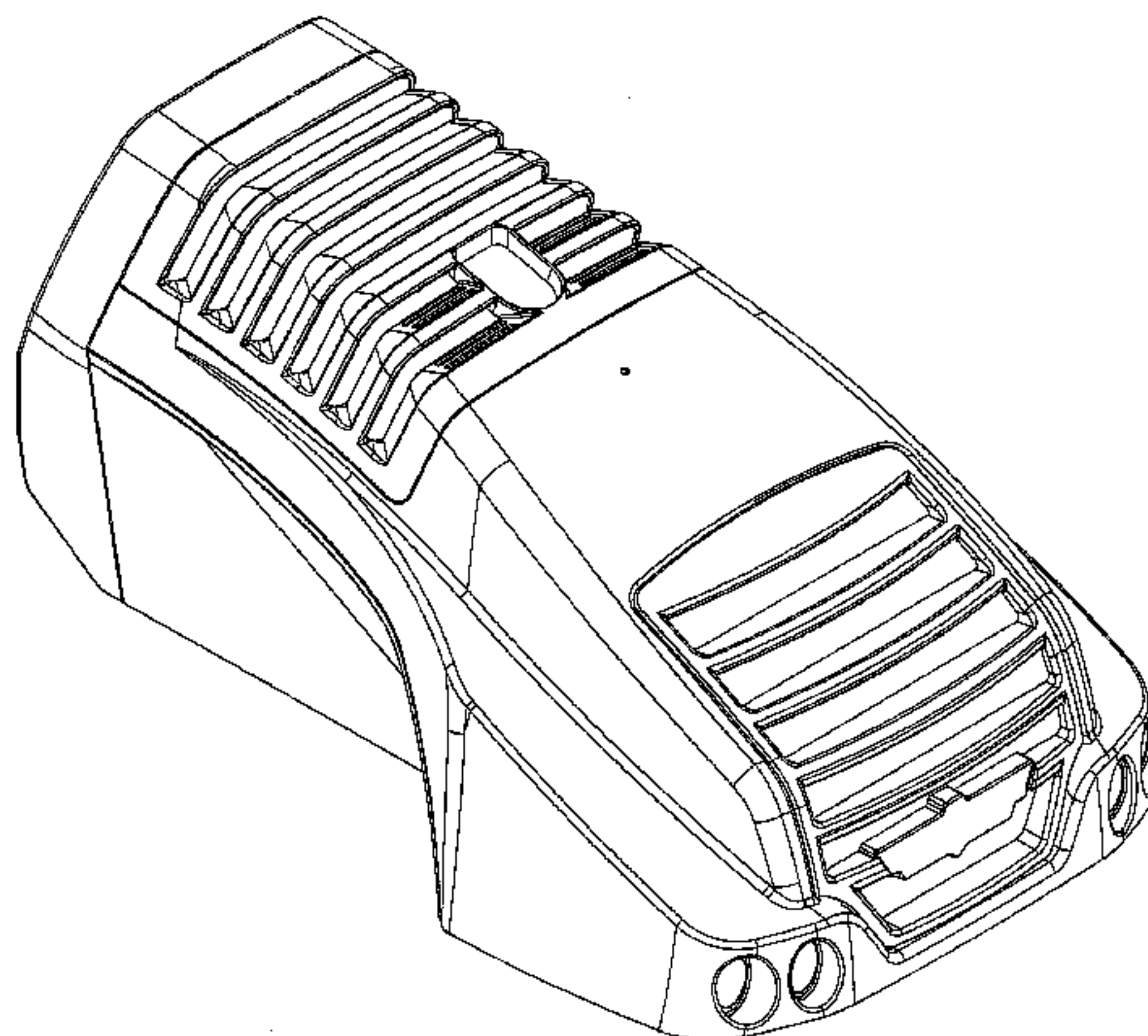
FIG. 5 is a rear right perspective view of the engine hood of a road construction machine in use on a road construction machine; and,

FIG. 6 is a front left perspective view of the engine hood of a road construction machine in use on a road construction machine.

The front and bottom of the engine hood of a road construction machine are not seen during ordinary use and form no part of the claimed design.

The broken line showing of a road construction machine in FIGS. 5 and 6 is included for the purpose of illustrating environmental structure only and forms no part of the claimed design.

1 Claim, 6 Drawing Sheets



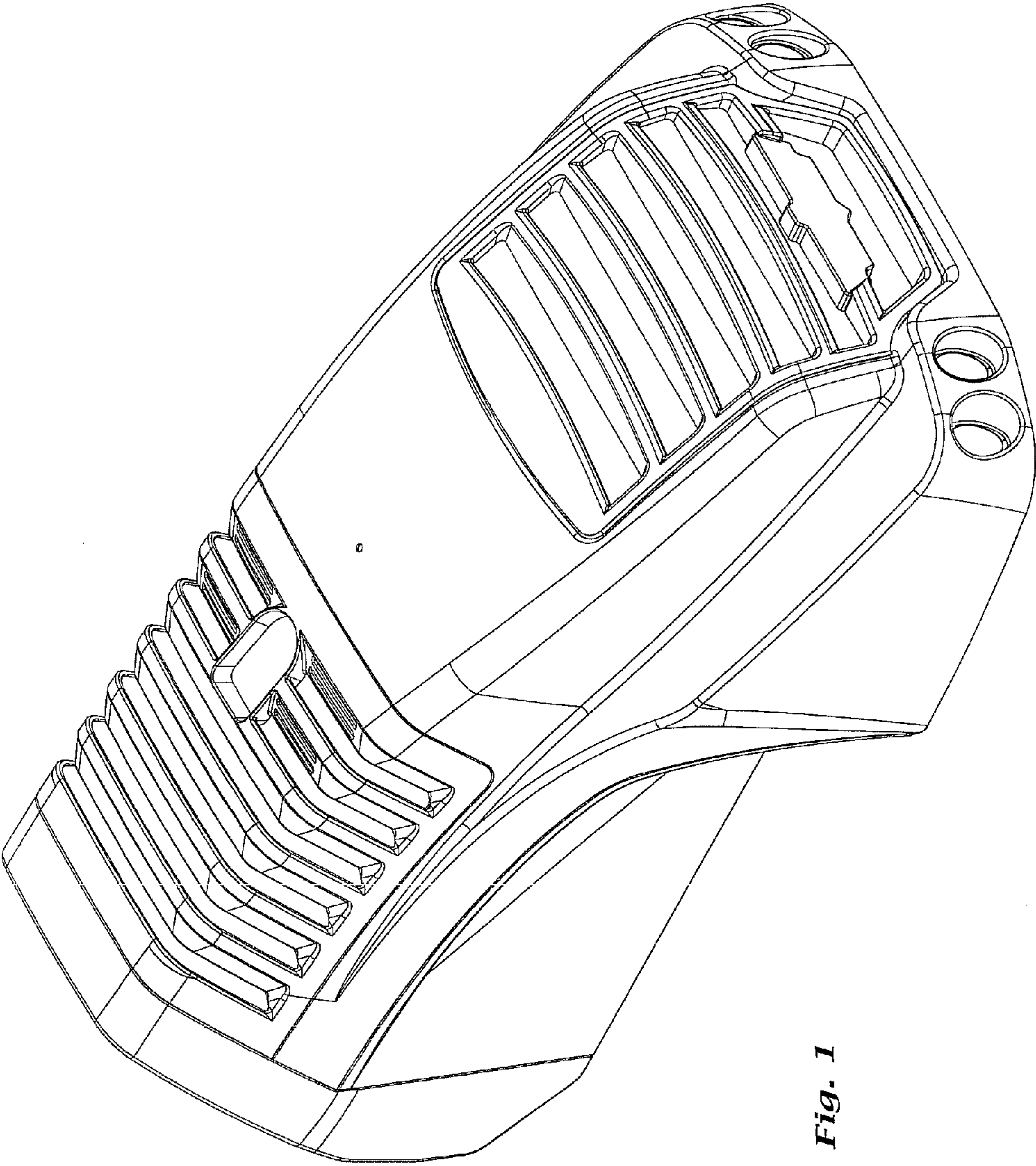


Fig. 1

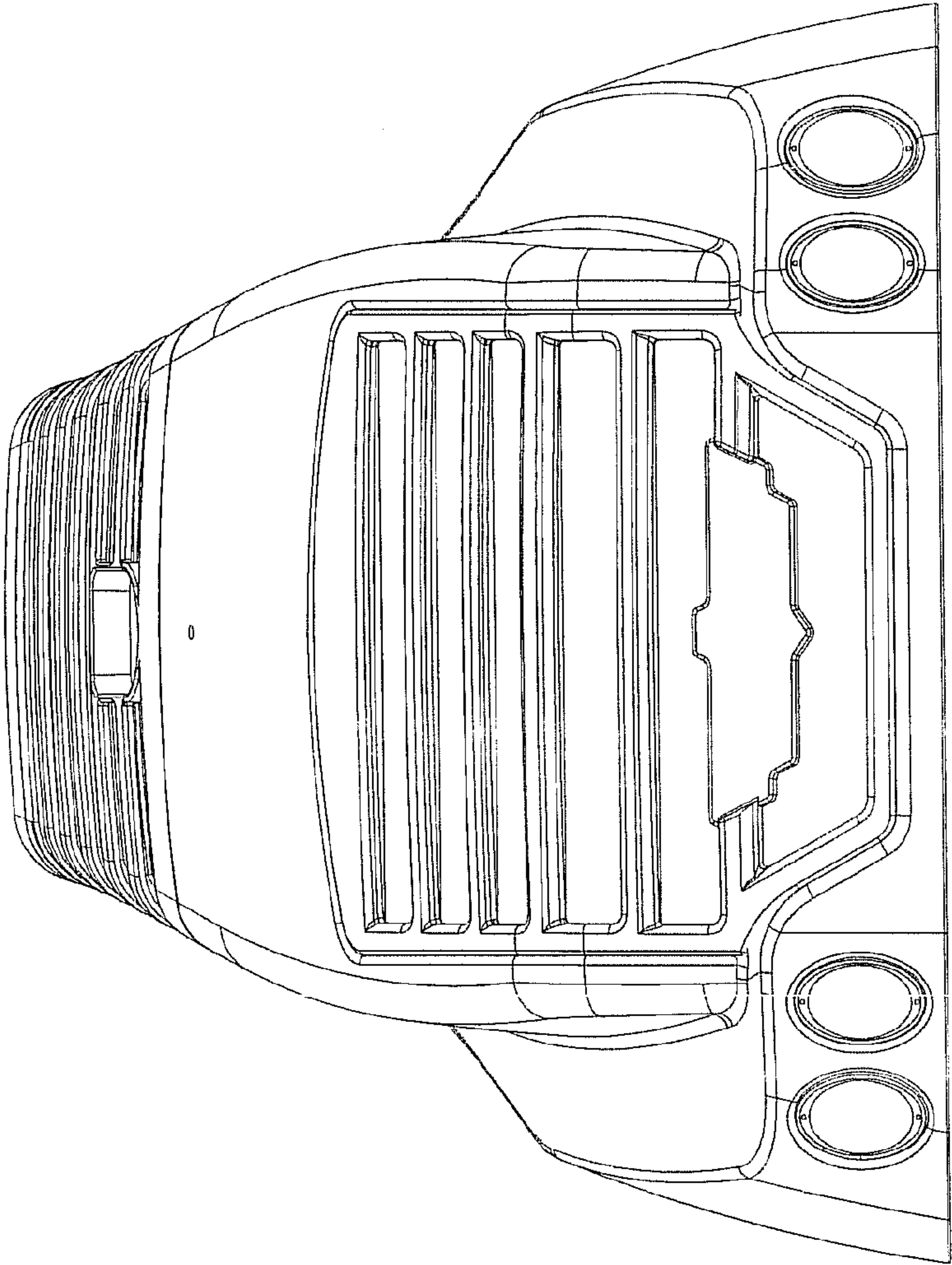


Fig. 2

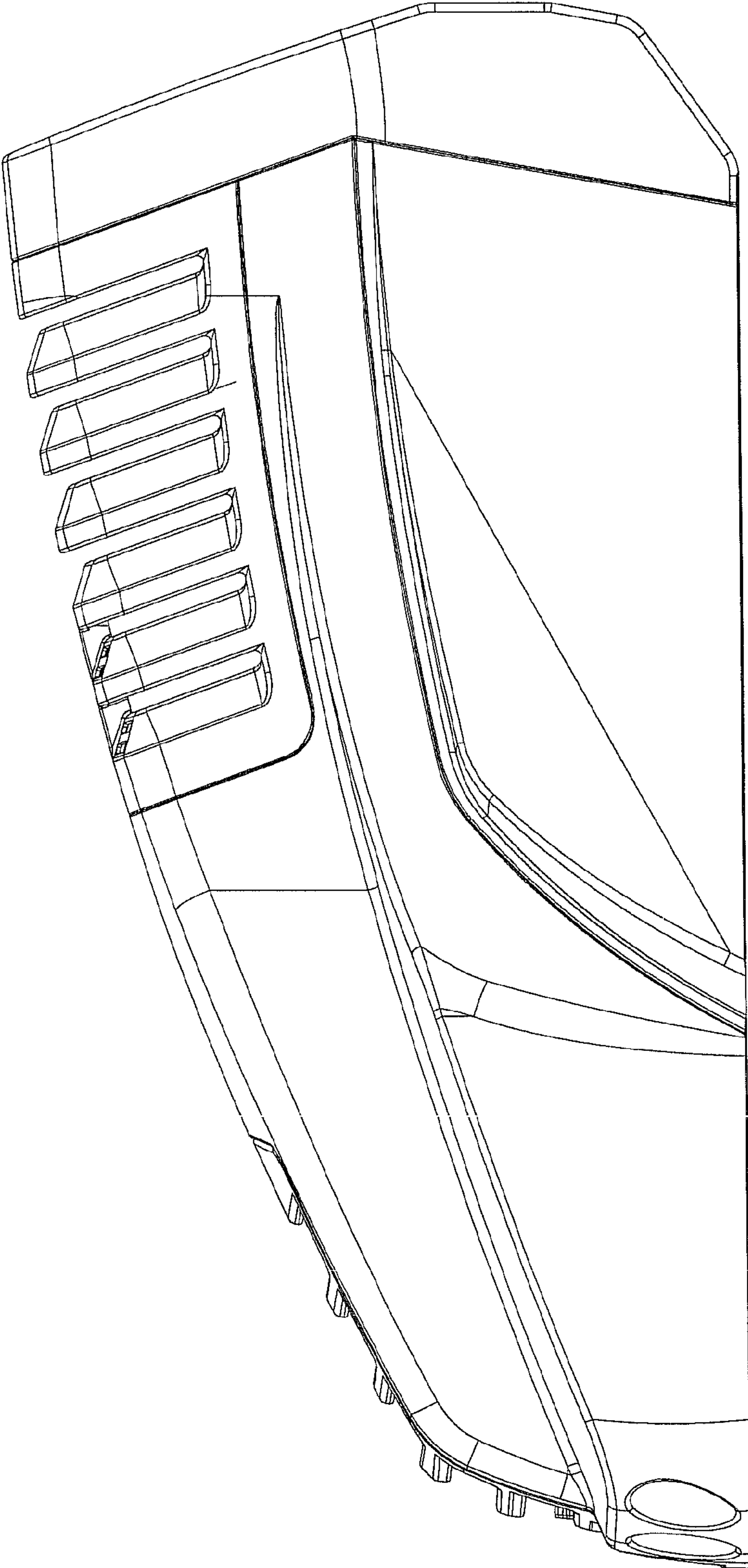


Fig. 3

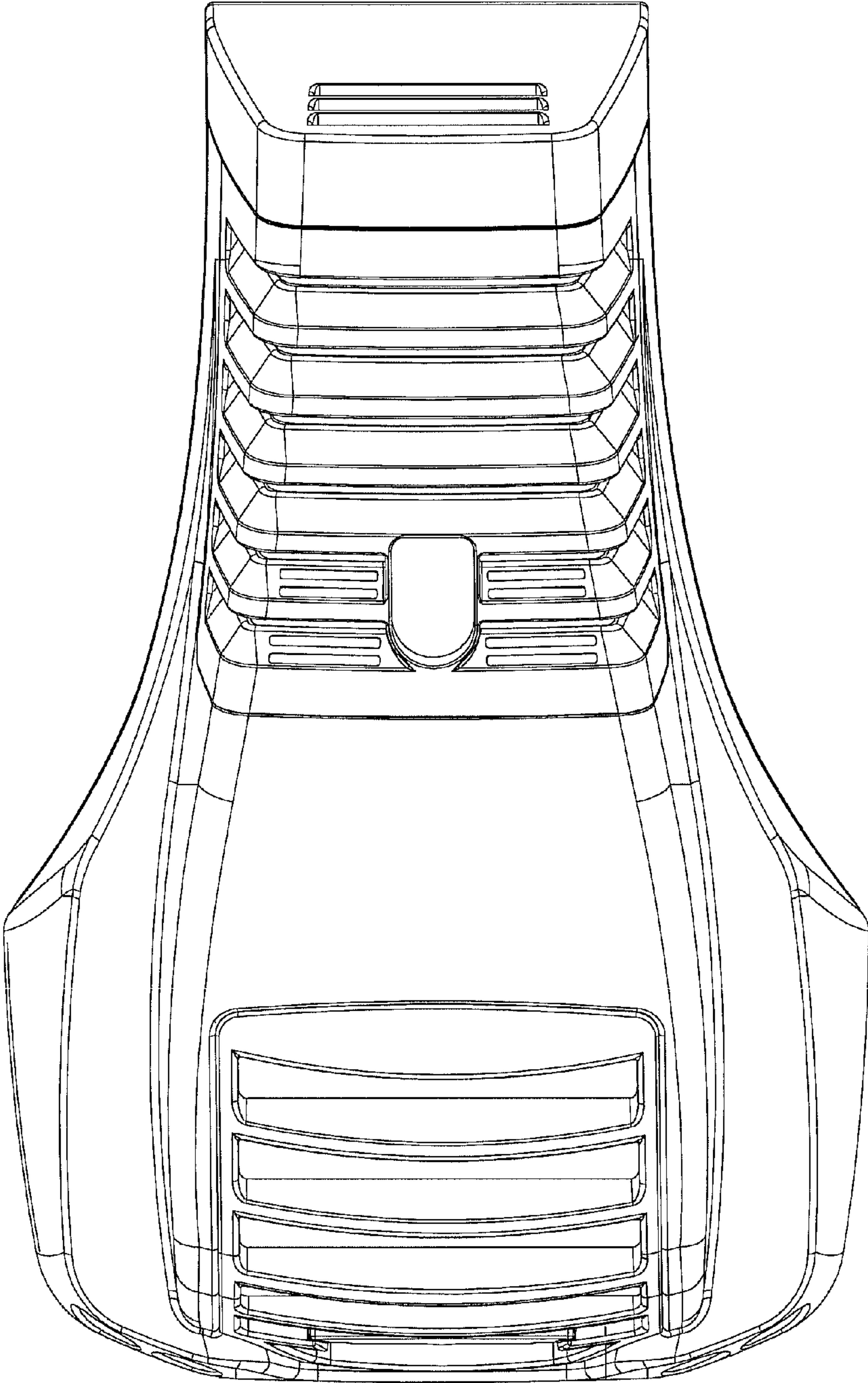


Fig. 4

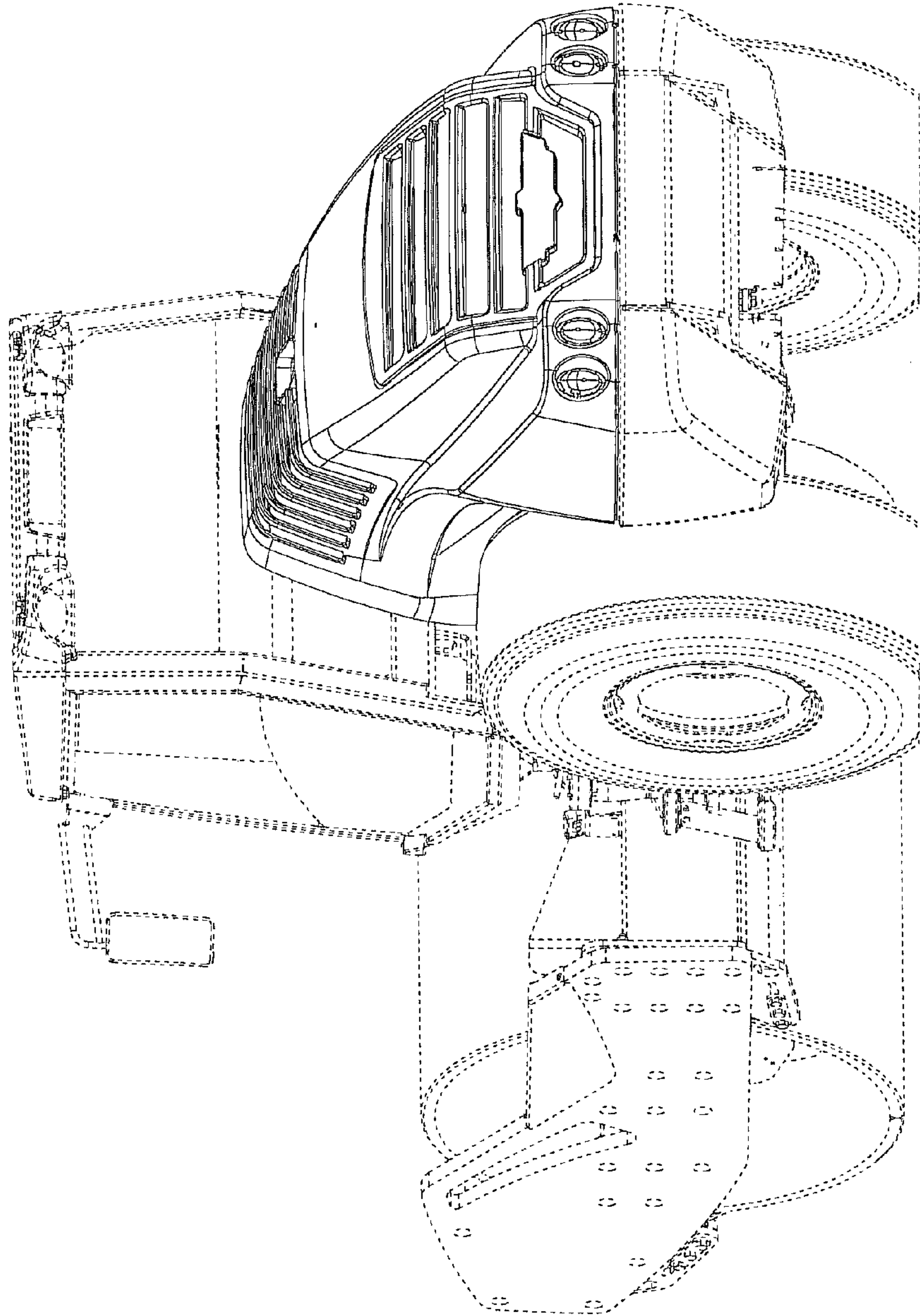


Fig. 5

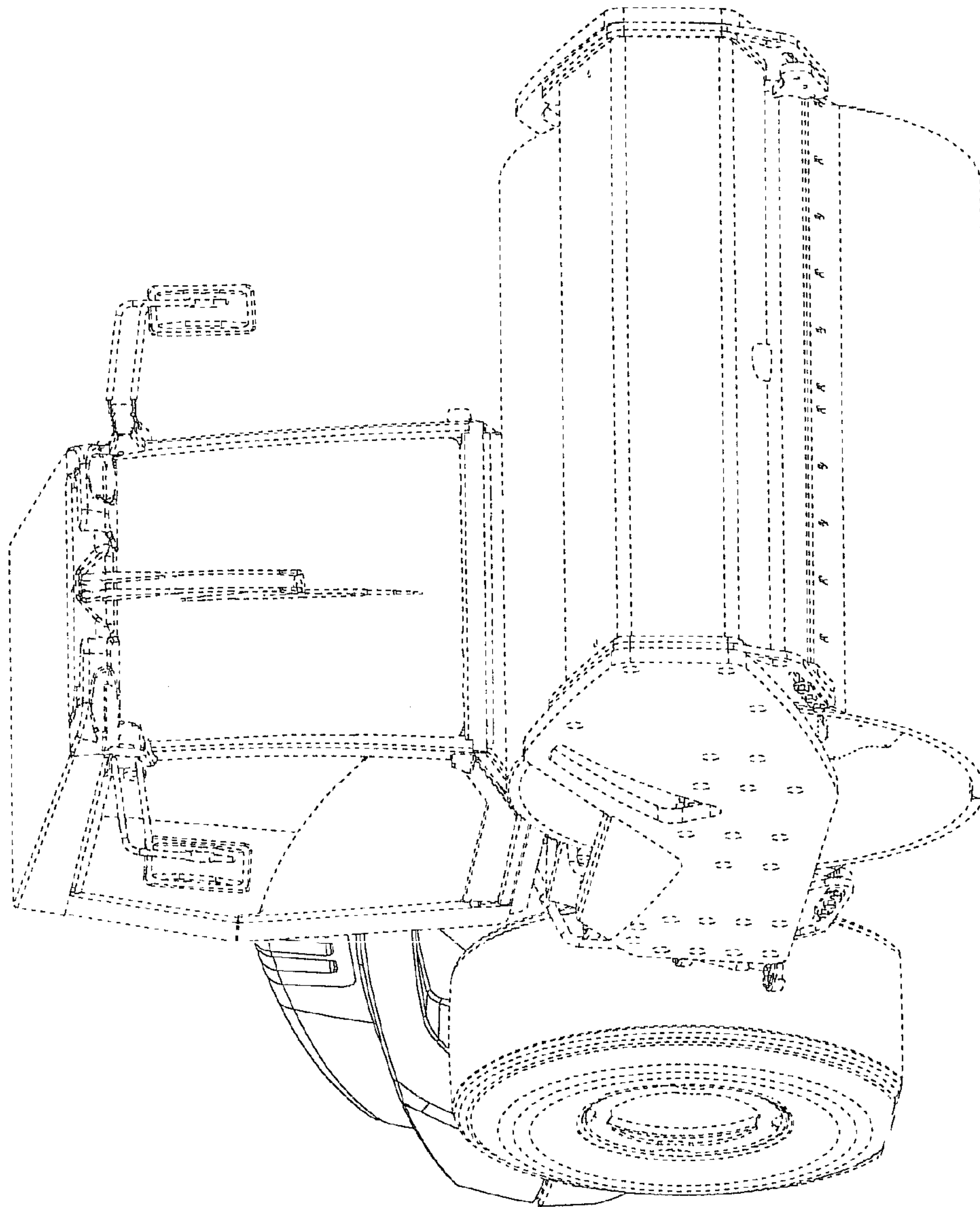


Fig. 6