



US00D676464S

(12) **United States Design Patent**
Hansen et al.

(10) **Patent No.:** **US D676,464 S**

(45) **Date of Patent:** **** Feb. 19, 2013**

(54) **CASING CENTRALIZER HAVING STRAIGHT BLADES**

(76) Inventors: **Mitchel D. Hansen**, Aledo, TX (US);
Andrew M. Eldridge, Fort Worth, TX (US)

(**) Term: **14 Years**

(21) Appl. No.: **29/417,511**

(22) Filed: **Apr. 4, 2012**

(51) **LOC (9) Cl.** **15-03**

(52) **U.S. Cl.** **D15/21**

(58) **Field of Classification Search** D15/10,
D15/21; 166/384, 241.1–241.7, 213, 173,
166/208, 382; 175/325.5, 325.1, 325.2, 325.3;
138/108, 112; 228/155; 72/393

See application file for complete search history.

(56) **References Cited**

U.S. PATENT DOCUMENTS

1,460,632	A *	7/1923	Wigle et al.	166/241.6
1,767,198	A *	6/1930	Baker	166/241.6
1,807,050	A *	5/1931	Stolz	166/285
2,166,116	A *	7/1939	Bettis	166/241.6
2,602,512	A *	7/1952	Baker	166/241.6
2,659,439	A *	11/1953	Baker	166/241.6
2,715,552	A *	8/1955	Lane	175/325.5
2,943,009	A *	6/1960	Mirsky et al.	264/259
3,080,926	A *	3/1963	Remp, Jr.	166/241.6
3,125,382	A *	3/1964	Herndon, Jr. et al.	166/241.7
3,128,827	A *	4/1964	Kluck	166/173
3,289,767	A *	12/1966	Seward et al.	166/241.7
3,292,708	A *	12/1966	Mundt	166/241.6
3,320,004	A *	5/1967	Garrett	175/325.5
3,410,613	A *	11/1968	Kuus	175/325.7
3,528,499	A *	9/1970	Collett	166/175
3,613,783	A *	10/1971	Seabourn	166/360
3,762,472	A *	10/1973	Alexander, Jr.	166/241.6
3,933,203	A *	1/1976	Evans	166/241.6
3,955,625	A *	5/1976	Hughes et al.	166/202
3,963,075	A *	6/1976	Evans	166/241.6
4,050,514	A *	9/1977	Prenn	166/176
4,088,185	A *	5/1978	Carson	166/176
4,146,060	A *	3/1979	Garrett	138/143
4,275,935	A *	6/1981	Thompson et al.	175/325.7

4,372,562	A *	2/1983	Carter, Jr.	277/334
4,396,234	A *	8/1983	Garrett	175/325.2
4,436,118	A *	3/1984	Garrett	138/110
4,595,058	A *	6/1986	Nations	166/285
4,658,896	A *	4/1987	Milam	166/241.6
4,757,861	A *	7/1988	Klyne	166/241.3
4,796,670	A *	1/1989	Russell et al.	138/110
4,825,947	A *	5/1989	Mikolajczyk	166/241.1
4,858,688	A *	8/1989	Edwards et al.	166/241.4
4,919,202	A *	4/1990	Clintberg	166/176
4,938,299	A *	7/1990	Jelsma	175/73
4,984,633	A	1/1991	Langer et al.	
5,095,981	A *	3/1992	Mikolajczyk	166/241.6
5,115,863	A *	5/1992	Olinger	166/241.5
5,179,140	A *	1/1993	Ariannejad	523/440
5,191,938	A *	3/1993	Sable et al.	166/378
5,247,990	A *	9/1993	Sudol et al.	166/241.3
5,277,254	A *	1/1994	Rullman et al.	166/241.4
5,332,049	A *	7/1994	Tew	175/320
5,339,896	A *	8/1994	Hart et al.	166/241.1
D363,293	S	10/1995	Hatcher	
5,492,174	A *	2/1996	O'Hair	166/241.4
5,692,562	A *	12/1997	Squires	166/68.5
5,697,442	A *	12/1997	Baldrige	166/286

(Continued)

Primary Examiner — Mark Goodwin

(74) *Attorney, Agent, or Firm* — Jackson Walker, LLP

(57) **CLAIM**

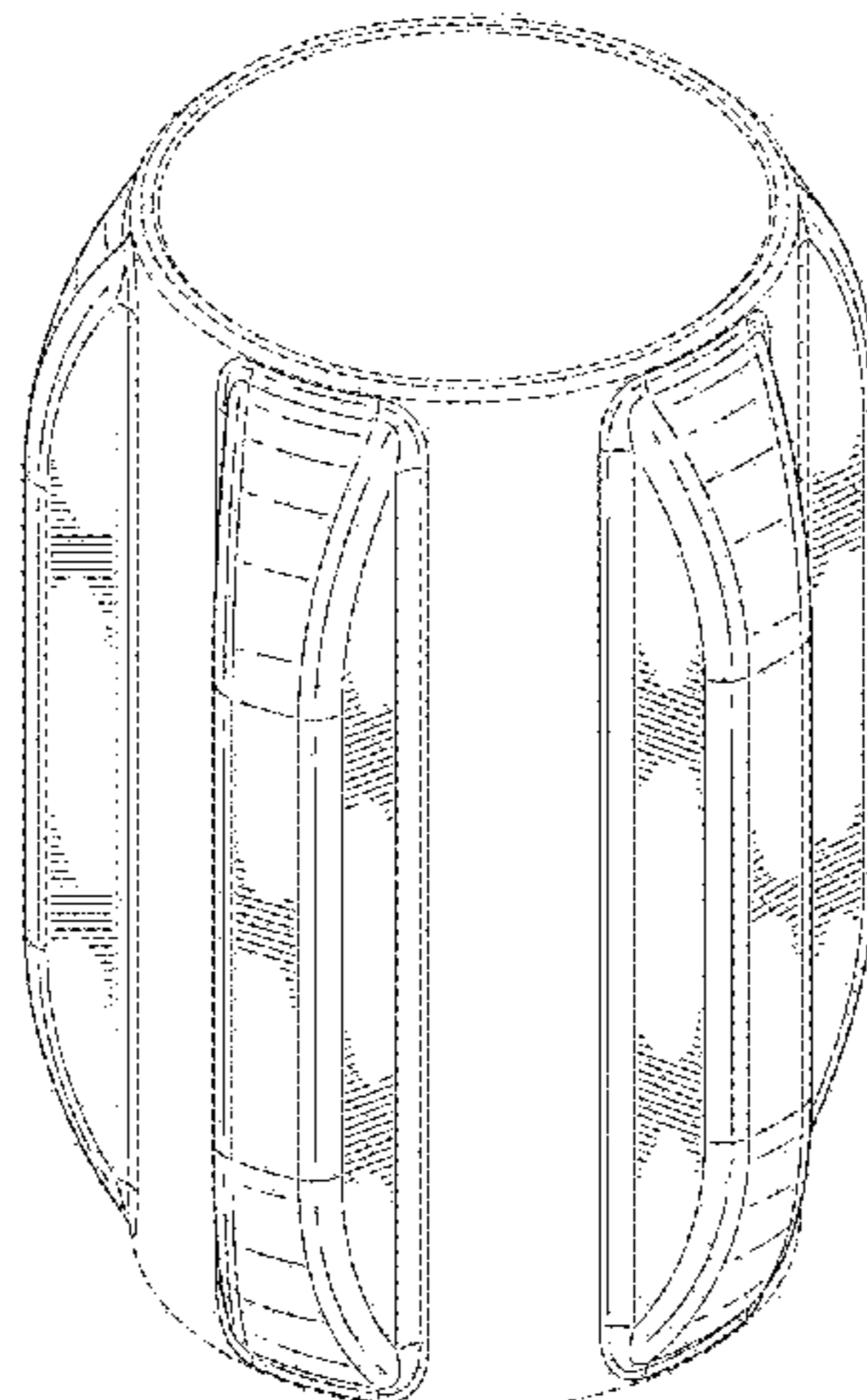
The ornamental design of casing centralizer having straight blades, substantially as shown and described.

DESCRIPTION

FIG. 1 is a perspective view of a casing centralizer having straight blades showing our new design; FIG. 2 is a rear elevational view thereof; FIG. 3 is a front elevational view thereof; FIG. 4 is a right-side elevational view thereof; FIG. 5 is a left-side elevational view thereof; FIG. 6 is a top plan view thereof; and, FIG. 7 is a bottom plan view.

The broken lines showing a cylinder are included for the purposes of illustrating only and form no part of the claimed design.

1 Claim, 6 Drawing Sheets



US D676,464 S

Page 2

U.S. PATENT DOCUMENTS

5,797,455	A	8/1998	Barron et al.						
5,860,760	A *	1/1999	Kirk	403/371					
5,908,072	A	6/1999	Hawkins						
5,937,948	A *	8/1999	Robbins, III	166/380					
6,006,830	A	12/1999	Barron et al.						
6,102,118	A *	8/2000	Moore	166/241.7					
6,435,275	B1 *	8/2002	Kirk et al.	166/241.1					
6,439,304	B2 *	8/2002	Eaton	166/241.6					
6,585,052	B2 *	7/2003	Angman et al.	166/380					
6,659,173	B2 *	12/2003	Kirk et al.	166/242.8					
6,666,267	B1 *	12/2003	Charlton	166/241.6					
6,830,102	B2 *	12/2004	Kirk et al.	166/241.6					
6,845,816	B2 *	1/2005	Kirk et al.	166/241.6					
7,082,997	B2 *	8/2006	Slack	166/378					
7,096,939	B2 *	8/2006	Kirk et al.	166/241.6					
7,159,668	B2 *	1/2007	Herrera	166/381					
7,357,178	B2 *	4/2008	Thornton	166/241.6					
7,409,758	B2 *	8/2008	Le et al.	29/421.1					
7,604,059	B2 *	10/2009	Thornton	166/381					
7,694,733	B2 *	4/2010	Clark et al.	166/244.1					
7,814,633	B2 *	10/2010	Slack	29/421.1					
2001/0032722	A1 *	10/2001	Eaton	166/241.4					
2002/0023749	A1 *	2/2002	Kirk et al.	166/241.1					
2003/0164236	A1 *	9/2003	Thornton	166/278					
2006/0070731	A1 *	4/2006	Fouillou et al.	166/241.4					
2008/0164019	A1 *	7/2008	Angman	166/241.6					
2010/0059218	A1 *	3/2010	Whitelaw	166/241.1					

* cited by examiner

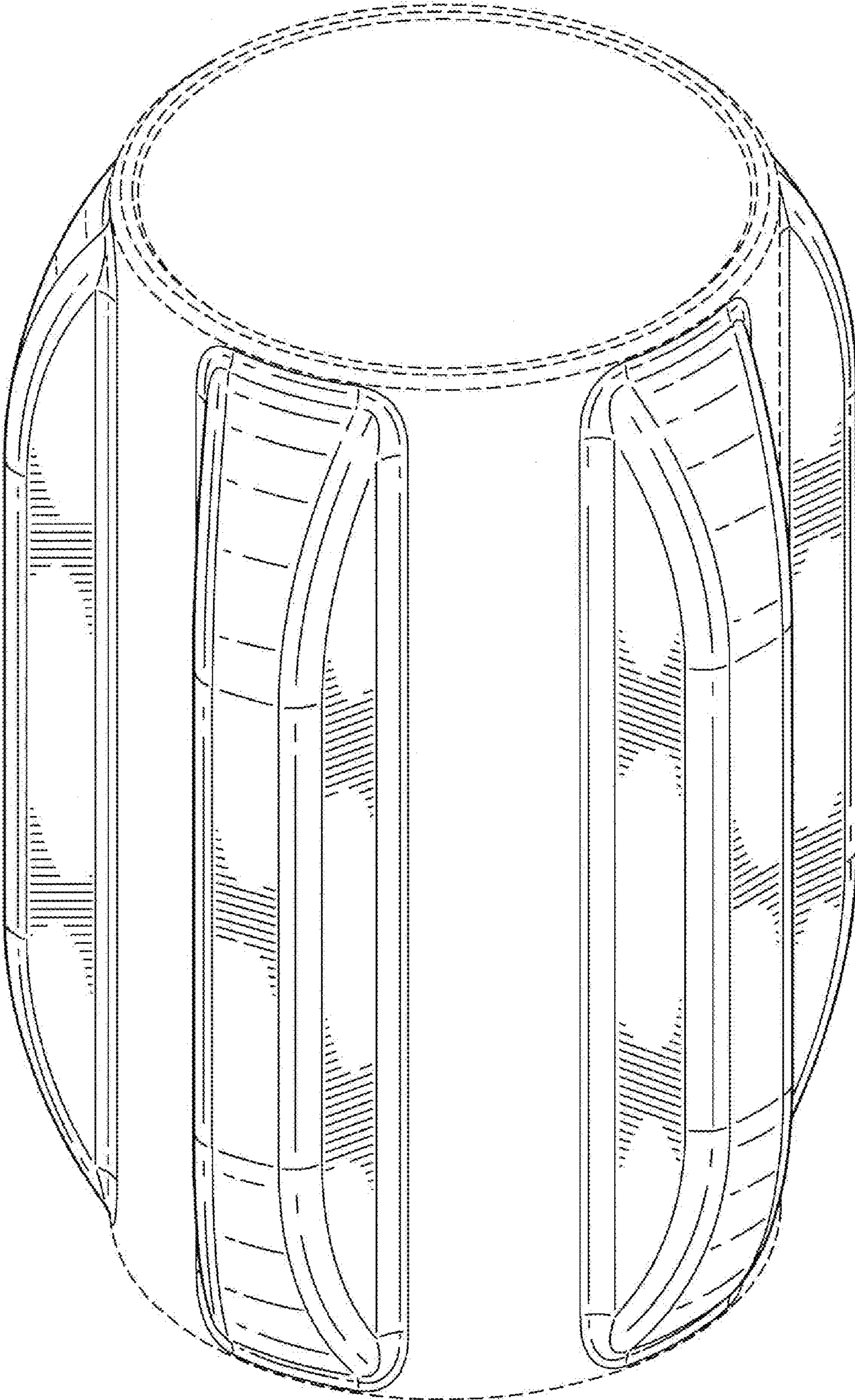


FIG. 1

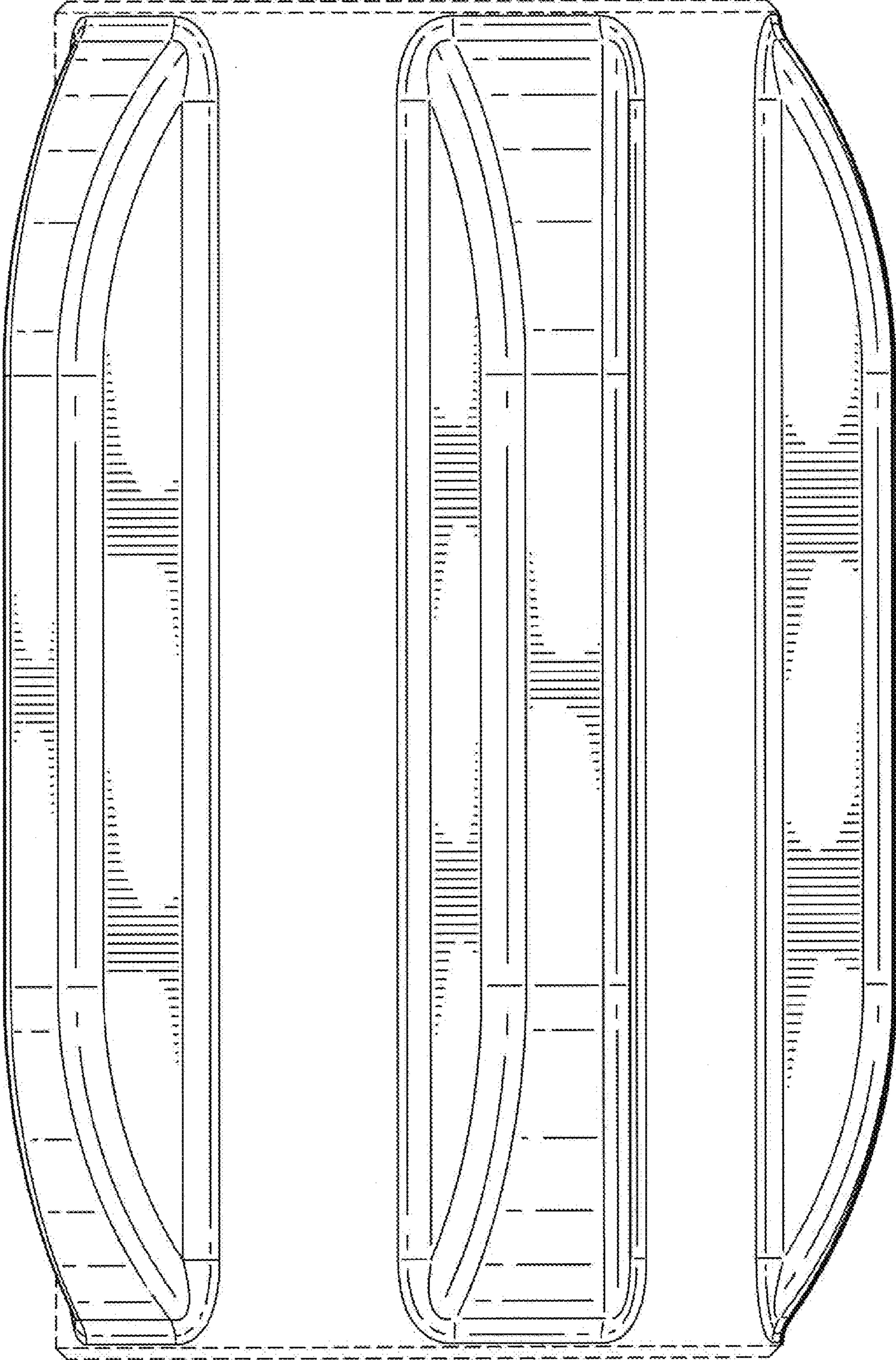


FIG. 2

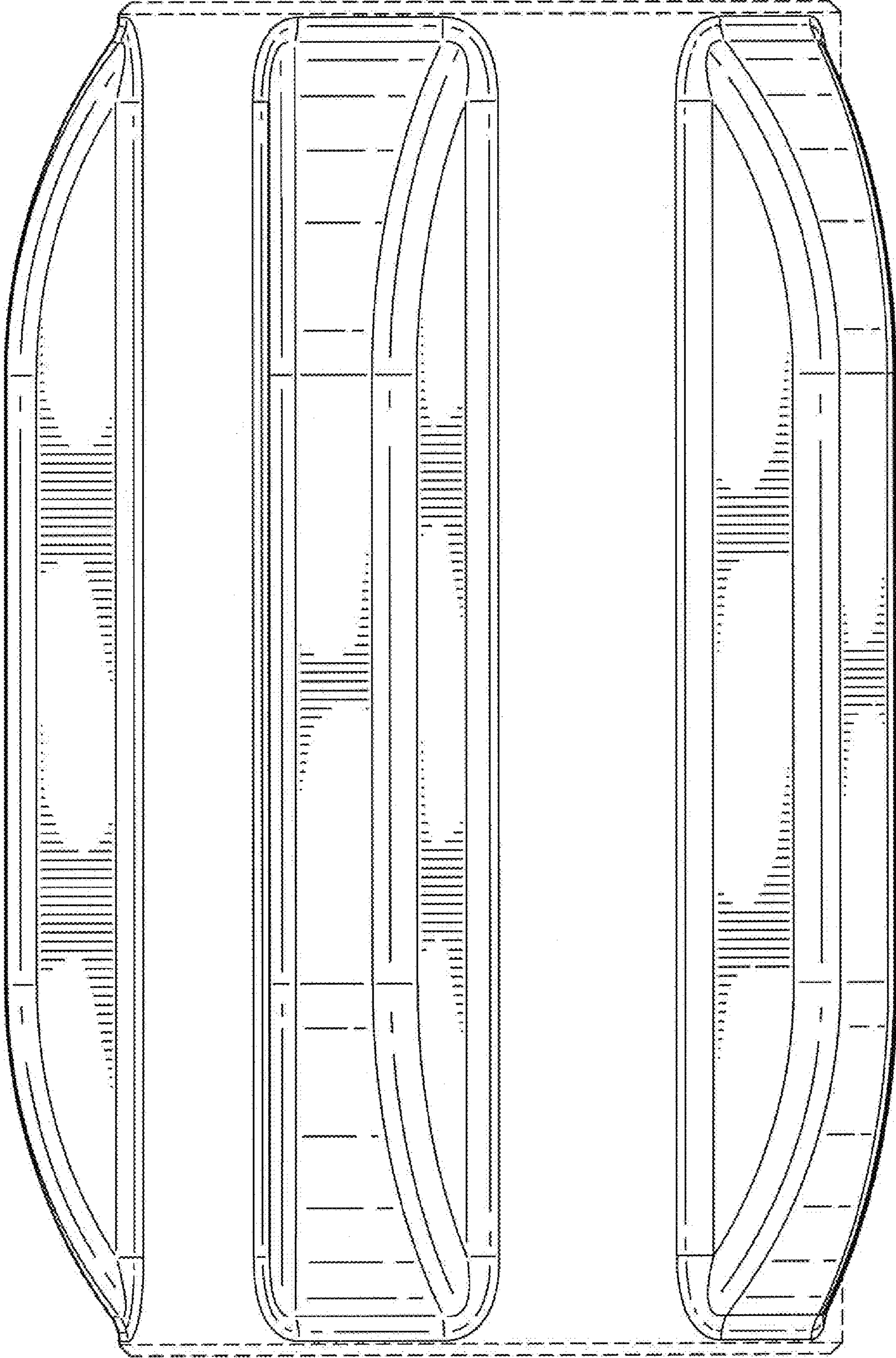


FIG. 3

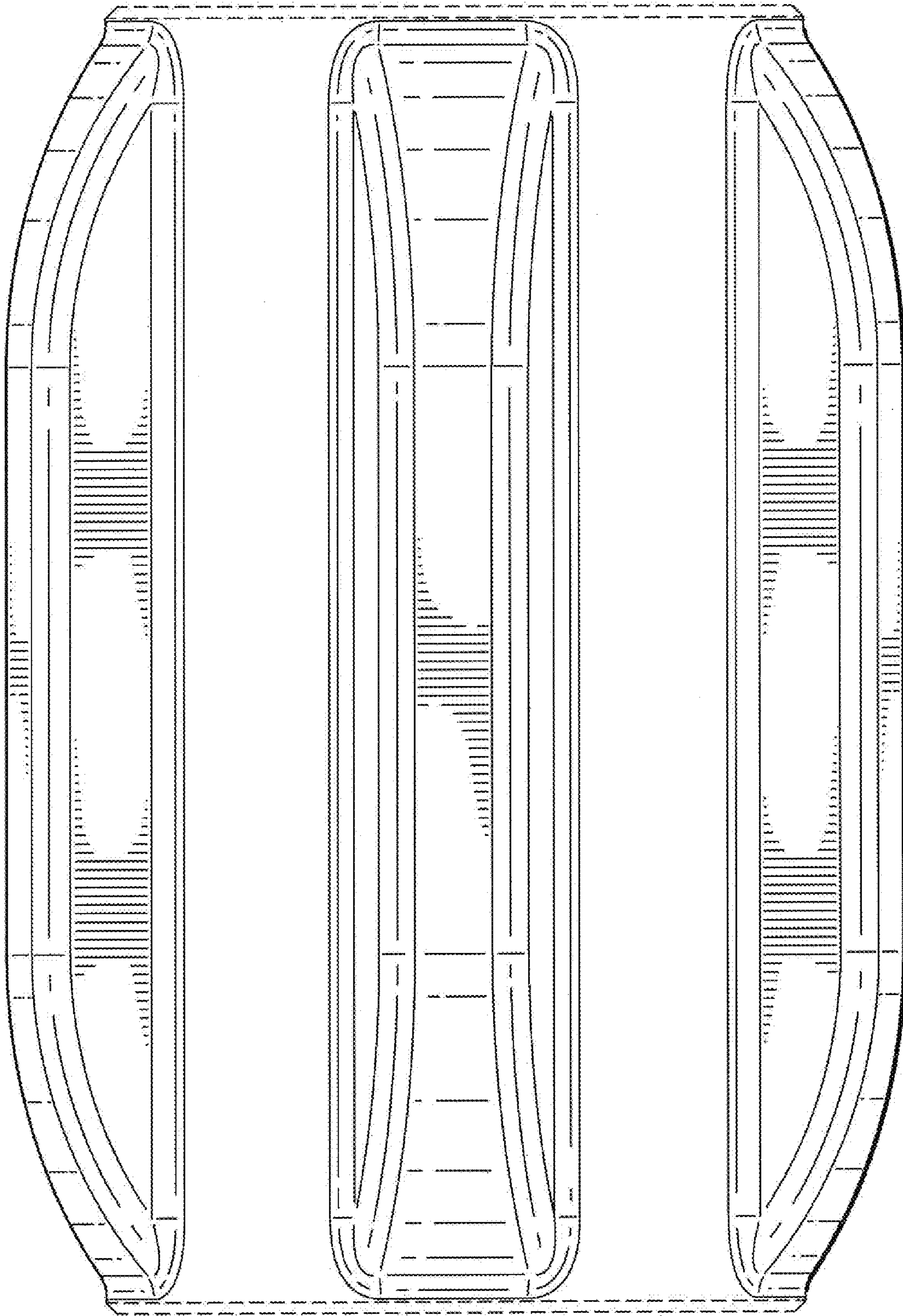


FIG. 4

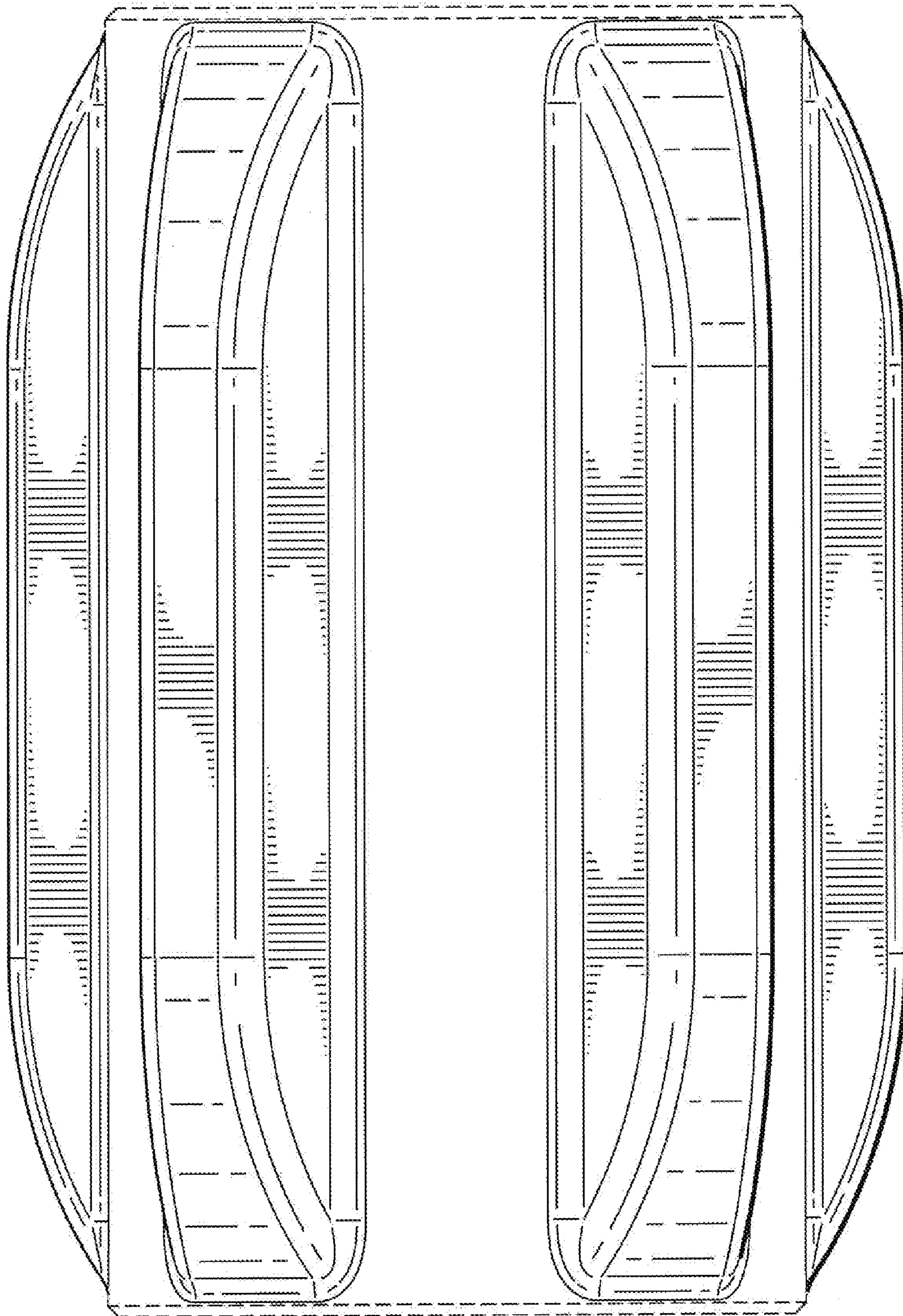


FIG. 5

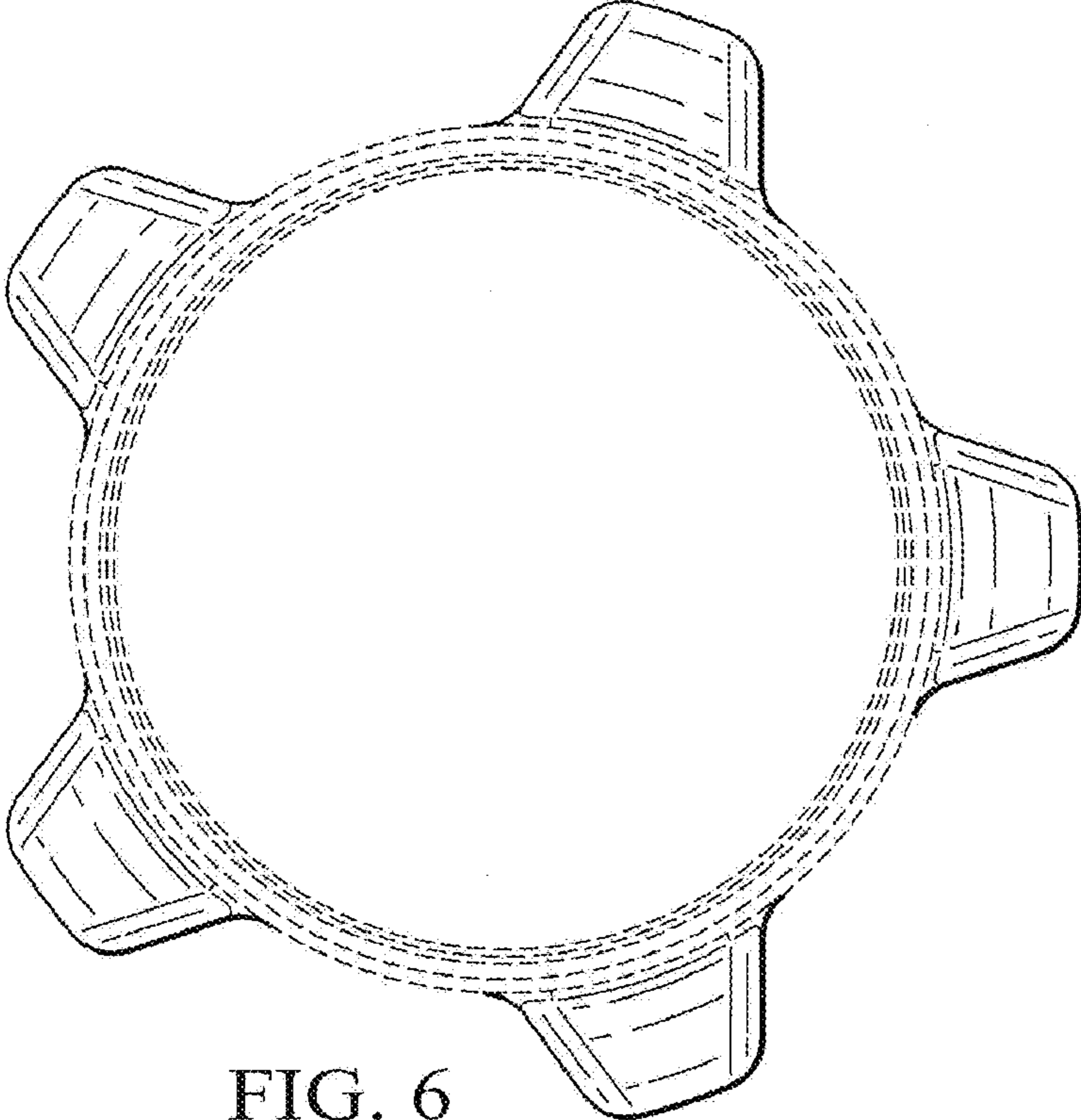


FIG. 6

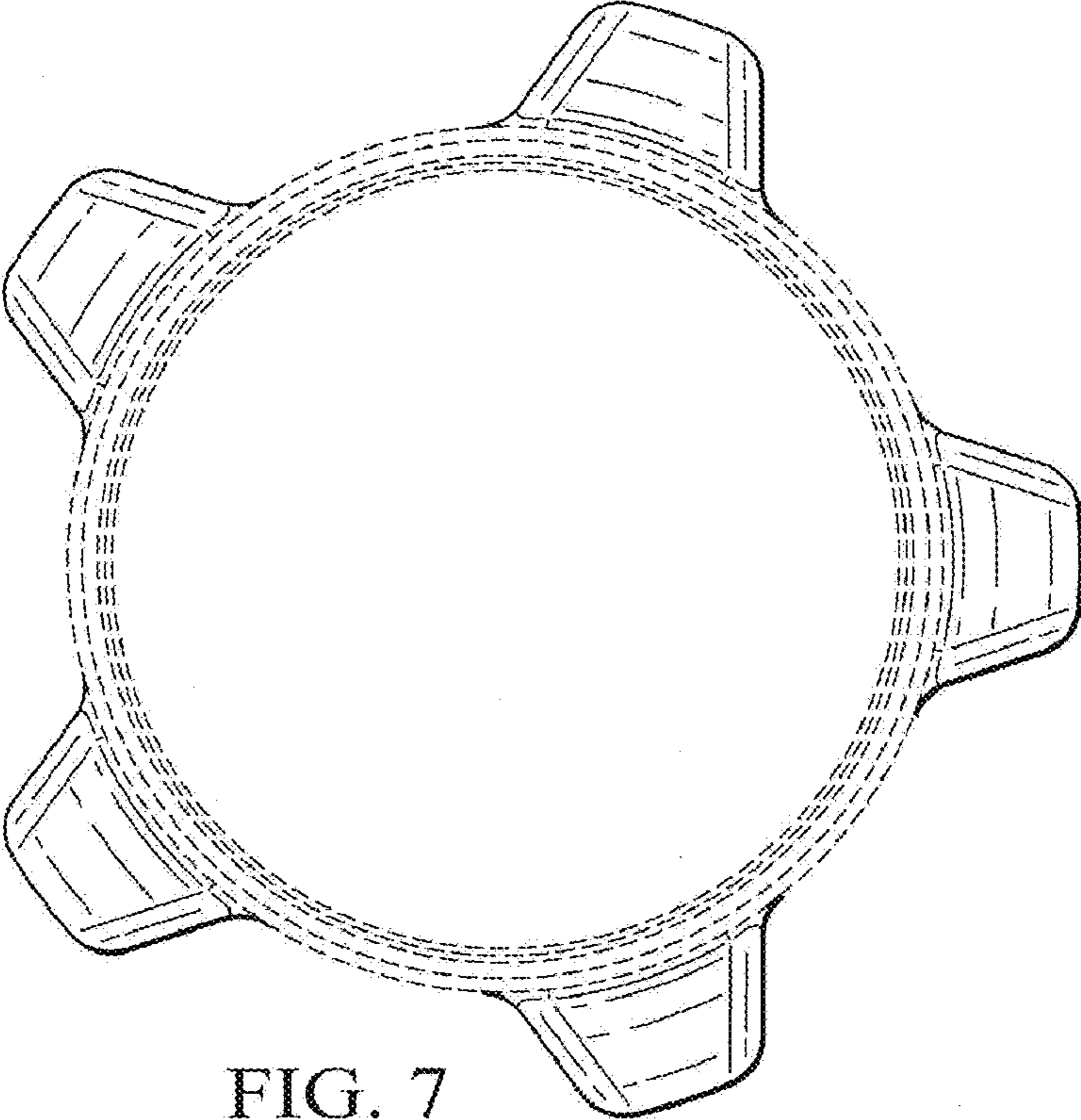


FIG. 7