



US00D676461S

(12) **United States Design Patent**
Wertz et al.

(10) **Patent No.:** **US D676,461 S**

(45) **Date of Patent:** **** Feb. 19, 2013**

(54) **GOVERNOR**

(75) Inventors: **Dan Wertz**, Columbia, CT (US); **Kevin A. Batson**, Agawam, MA (US); **Dae Kon Yi**, Springfield, MA (US); **Sean Lavin**, Feeding Hills, MA (US); **Paul Cappa**, Enfield, CT (US)

(73) Assignee: **Governors America Corp.**, Agawam, MA (US)

(**) Term: **14 Years**

(21) Appl. No.: **29/406,030**

(22) Filed: **Nov. 9, 2011**

(51) **LOC (9) Cl.** **15-01**

(52) **U.S. Cl.** **D15/5; D10/49**

(58) **Field of Classification Search** D15/1-5; D11/49, 50, 51, 52; D13/184, 199; 60/664, 60/660; 29/592.1; 701/110, 101
See application file for complete search history.

(56) **References Cited**

U.S. PATENT DOCUMENTS

6,118,553 A * 9/2000 Berg 358/473
6,371,081 B1 * 4/2002 Hawkins et al. 123/352

D525,541 S * 7/2006 Barton et al. D10/50
D542,677 S * 5/2007 Barton et al. D10/50
D653,129 S * 1/2012 Pages D10/49
D666,510 S * 9/2012 Beland et al. D10/50
2011/0279261 A1 * 11/2011 Gauger et al. 340/539.1

* cited by examiner

Primary Examiner — T. Chase Nelson

Assistant Examiner — Ania Aman

(74) *Attorney, Agent, or Firm* — McCormick, Paulding & Huber LLP

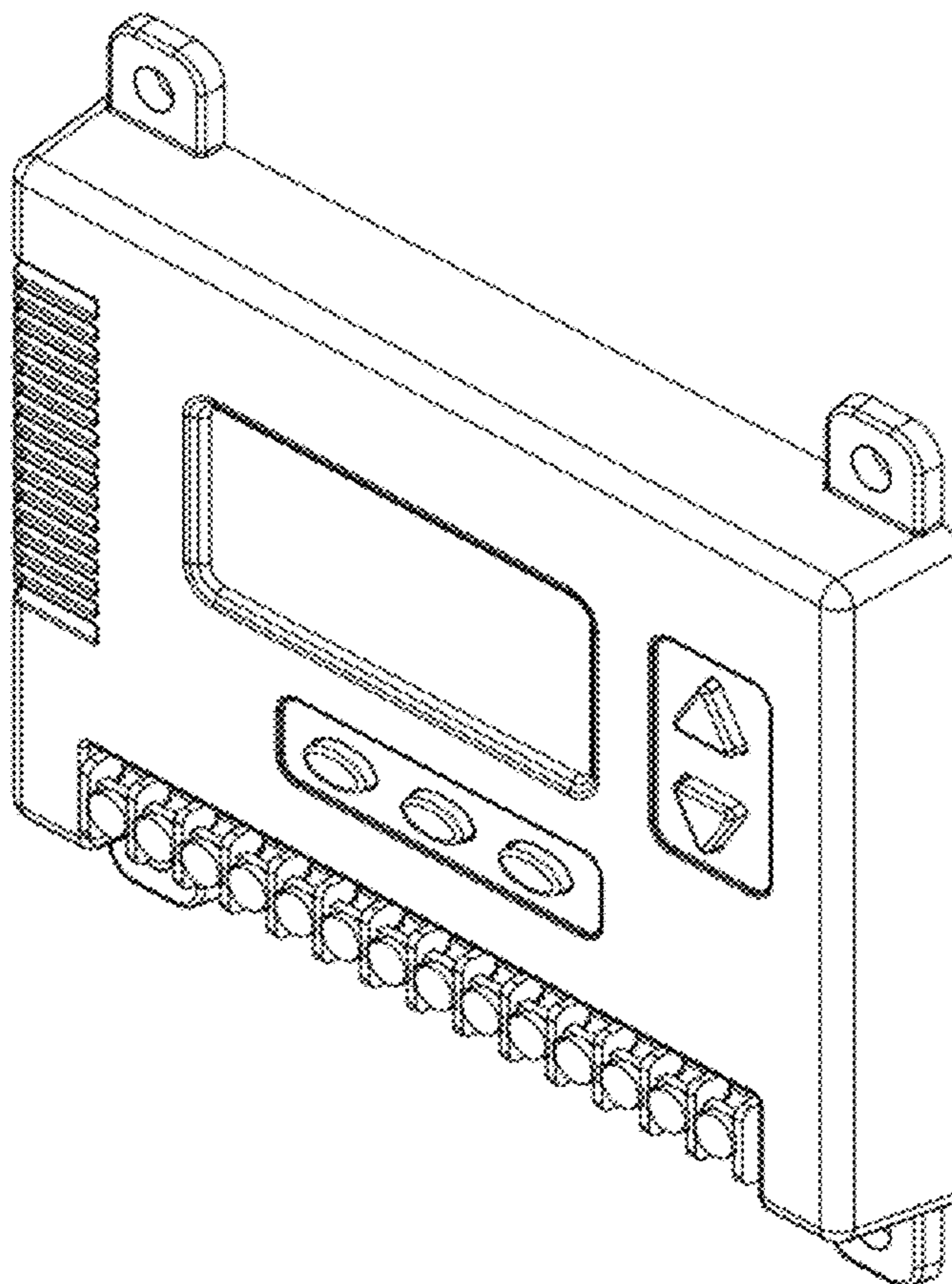
(57) **CLAIM**

The ornamental design for a governor, as shown and described.

DESCRIPTION

FIG. 1 is a front, top, right side perspective view of a governor showing a new design;
FIG. 2 is a front elevational view thereof;
FIG. 3 is a rear elevational view thereof;
FIG. 4 is a top plan view thereof;
FIG. 5 is a bottom plan view thereof;
FIG. 6 is a left side view thereof; and,
FIG. 7 is a right side view thereof.

1 Claim, 5 Drawing Sheets



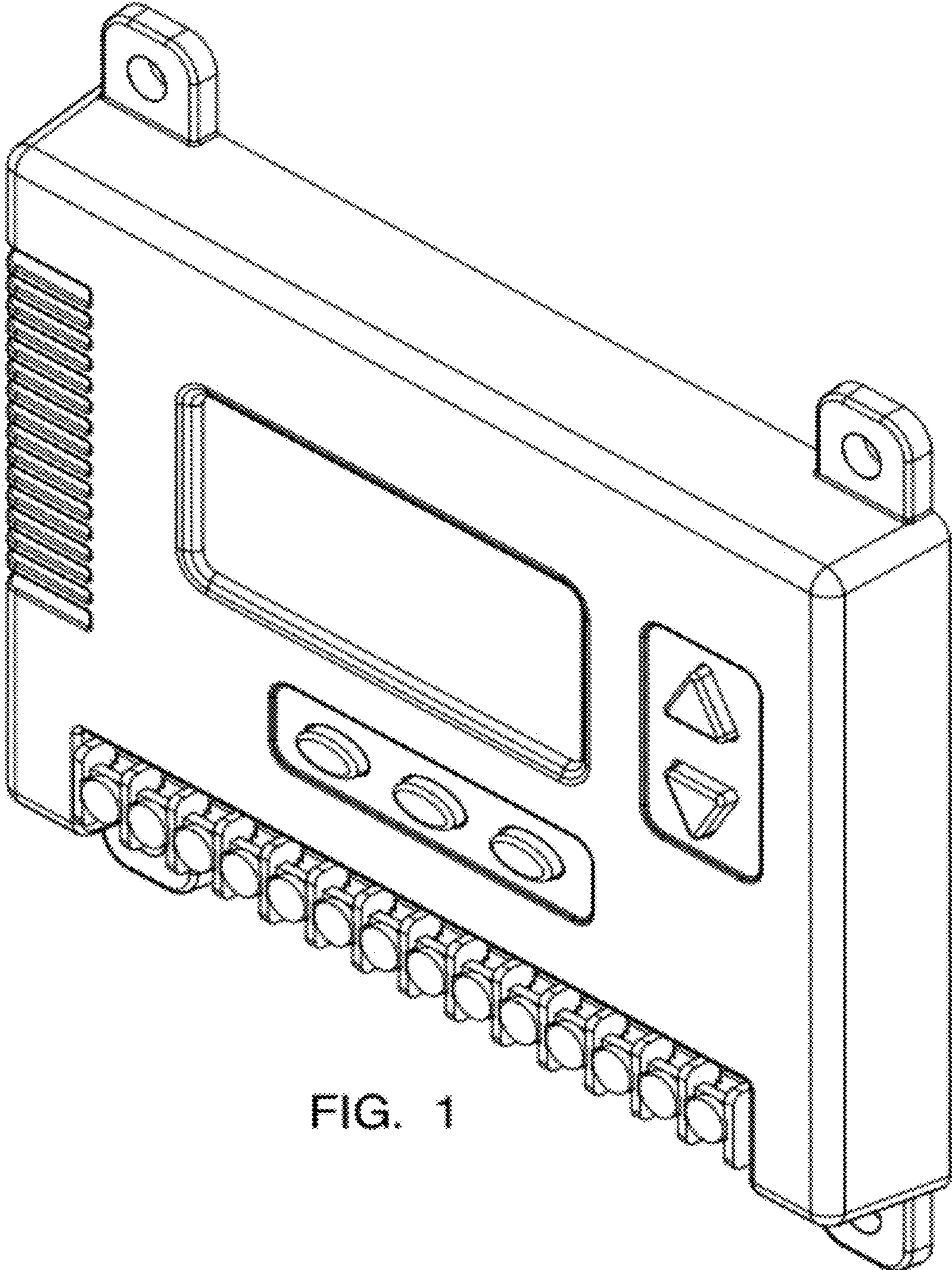


FIG. 1

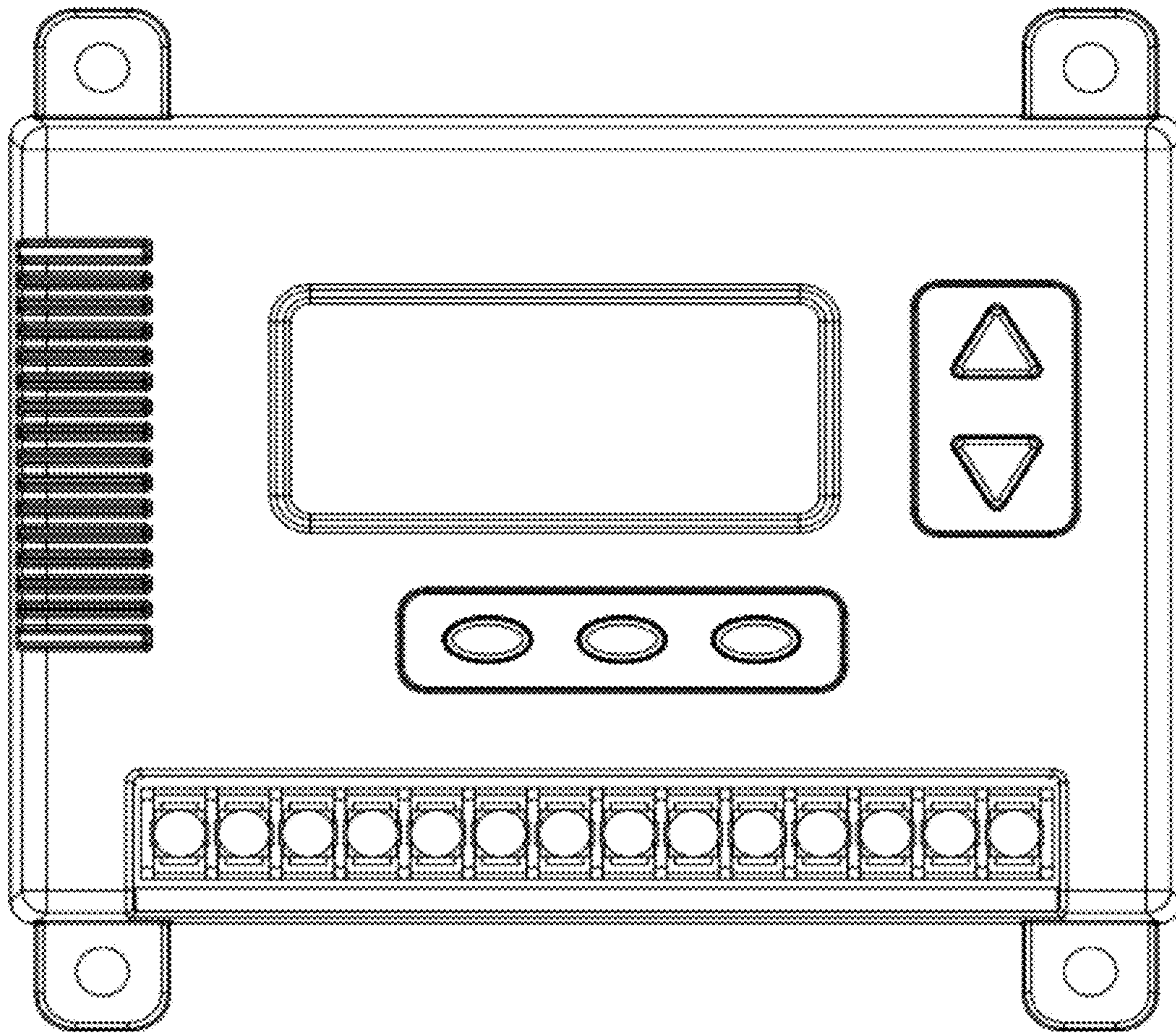


FIG. 2

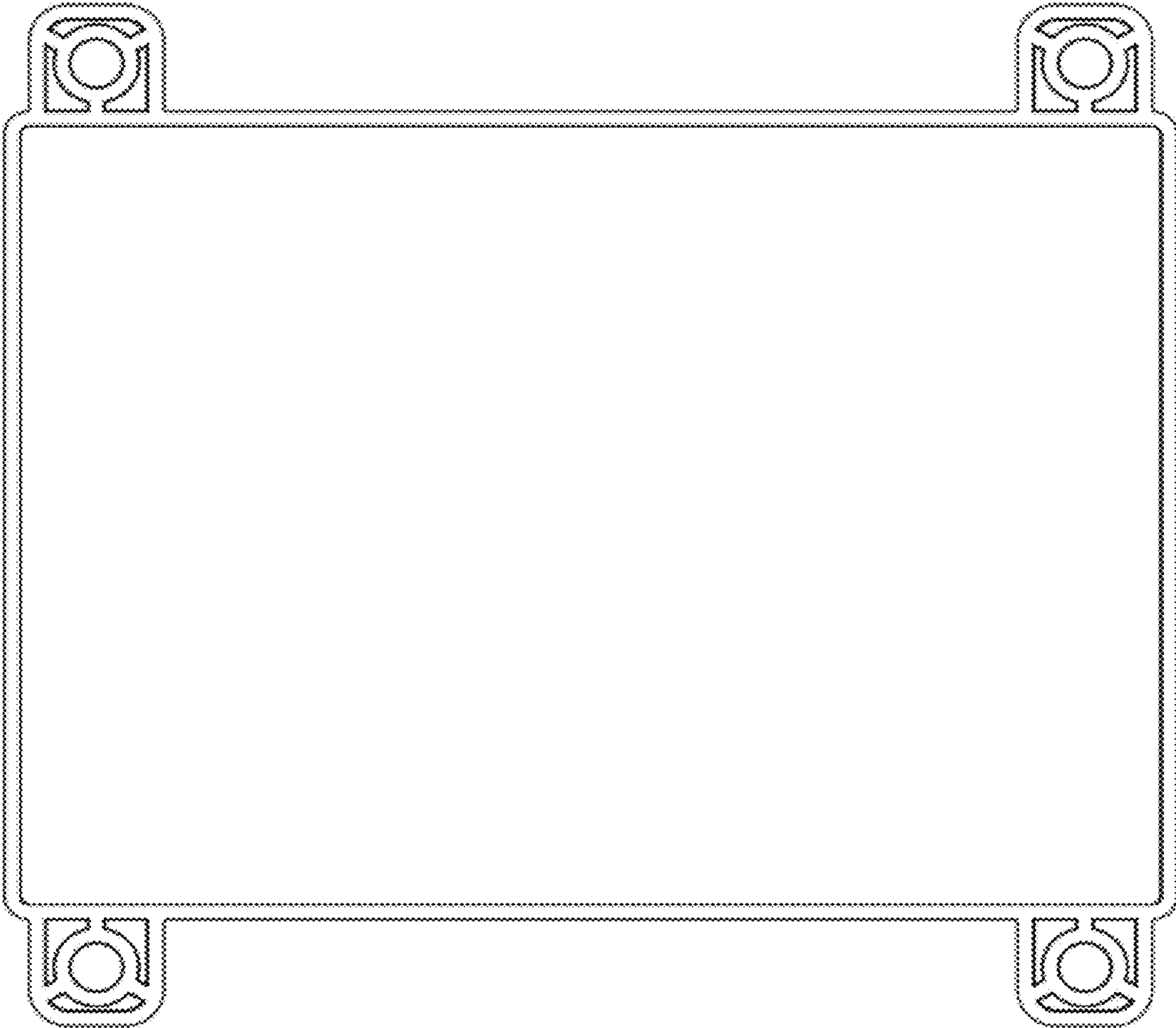


FIG. 3

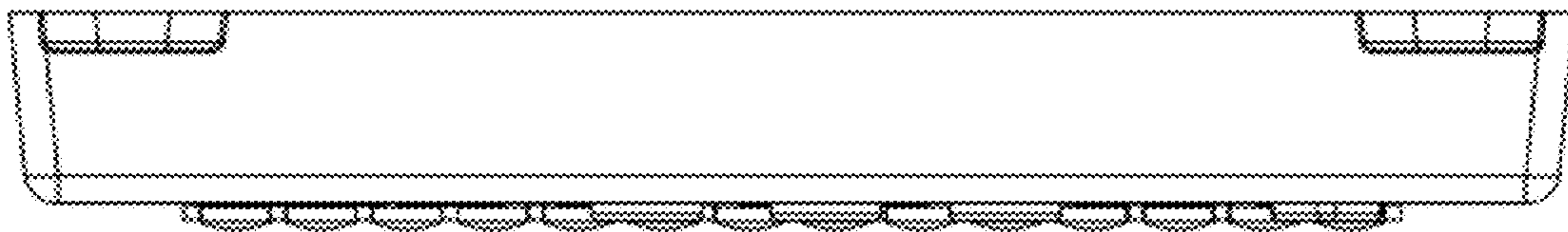


FIG. 4

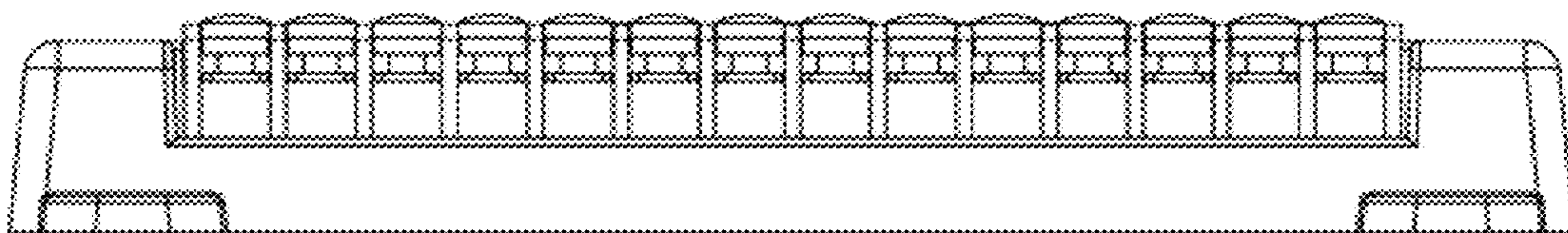


FIG. 5

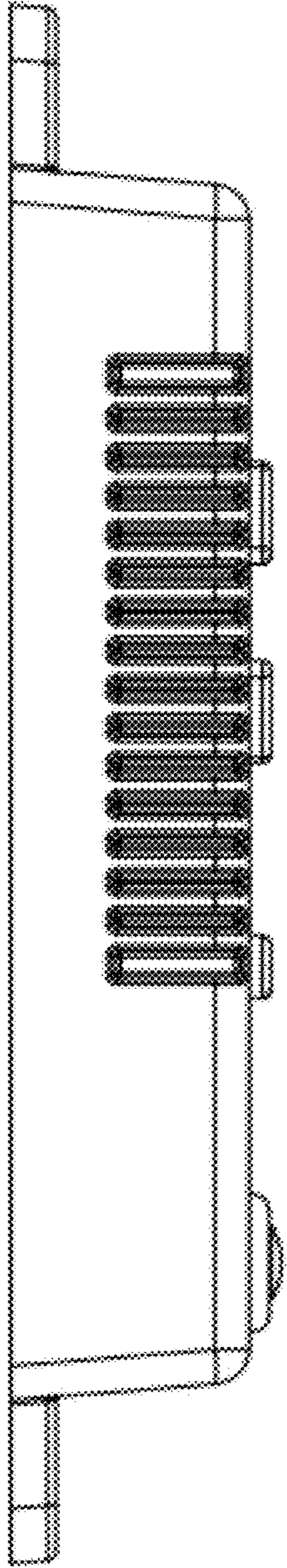


FIG. 6

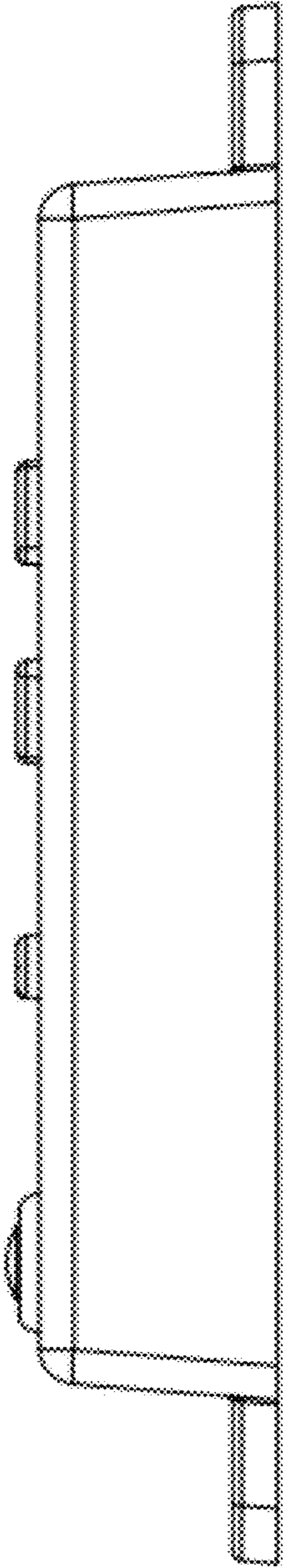


FIG. 7