



US00D676452S

(12) **United States Design Patent**  
**So**

(10) **Patent No.:** **US D676,452 S**  
(45) **Date of Patent:** **\*\* Feb. 19, 2013**

(54) **POUCH CONVERTIBLE TO TABLET STAND**

(75) Inventor: **Kevin Chi Heng So**, Shatin (HK)

(73) Assignee: **AVC Technology (International)**,  
Kowloon Bay (HK)

(\*\*) Term: **14 Years**

(21) Appl. No.: **29/426,646**

(22) Filed: **Jul. 9, 2012**

(51) **LOC (9) Cl.** ..... **08-07**

(52) **U.S. Cl.** ..... **D14/447**

(58) **Field of Classification Search** ..... D14/447,  
D14/432, 434, 433, 439, 440, 448, 451, 452,  
D14/457, 460, 217, 239, 238.1, 250, 251,  
D14/253, 203.8, 341, 336, 371, 372, 374,  
D14/375, 376, 377, 378, 379, 392; D13/107,  
D13/108; D3/218; D6/406.1, 406.3, 406.4,  
D6/406.5, 406.6, 419, 420, 429, 396, 449,  
D6/466, 467, 471; 361/679.02, 679.09, 679.19,  
361/679.21, 679.22, 679.23, 679.26, 679.27,  
361/679.3, 679.55, 679.56, 679.6; 248/917-924,  
248/136, 150, 152, 153, 371, 166, 176.1,  
248/176.3, 188.6, 676, 678, 441.1, 444.1,  
248/447, 447.1, 447.2, 451, 454, 455, 456,  
248/460, 463, 465.1

See application file for complete search history.

(56) **References Cited**

**U.S. PATENT DOCUMENTS**

5,445,266	A *	8/1995	Prete et al.	206/320
5,877,896	A *	3/1999	Gremban	359/601
D462,358	S *	9/2002	Mah	D14/447
6,772,879	B1 *	8/2004	Domotor	206/45.23
6,871,739	B2 *	3/2005	Lopez	206/320
D511,621	S *	11/2005	Lindamood	D3/218
D530,719	S *	10/2006	Roubanis	D14/449
7,562,751	B2 *	7/2009	Godshaw et al.	190/107
D604,045	S *	11/2009	Schantz et al.	D3/299

D635,762	S *	4/2011	Fahim	D3/217
D661,310	S *	6/2012	Belongia et al.	D14/447
D666,815	S *	9/2012	Janus	D3/274
2012/0006951	A1 *	1/2012	Lin	248/188.6

\* cited by examiner

*Primary Examiner* — Angela J Lee

(74) *Attorney, Agent, or Firm* — Grossman, Tucker,  
Perreault & Pflieger, PLLC

(57) **CLAIM**

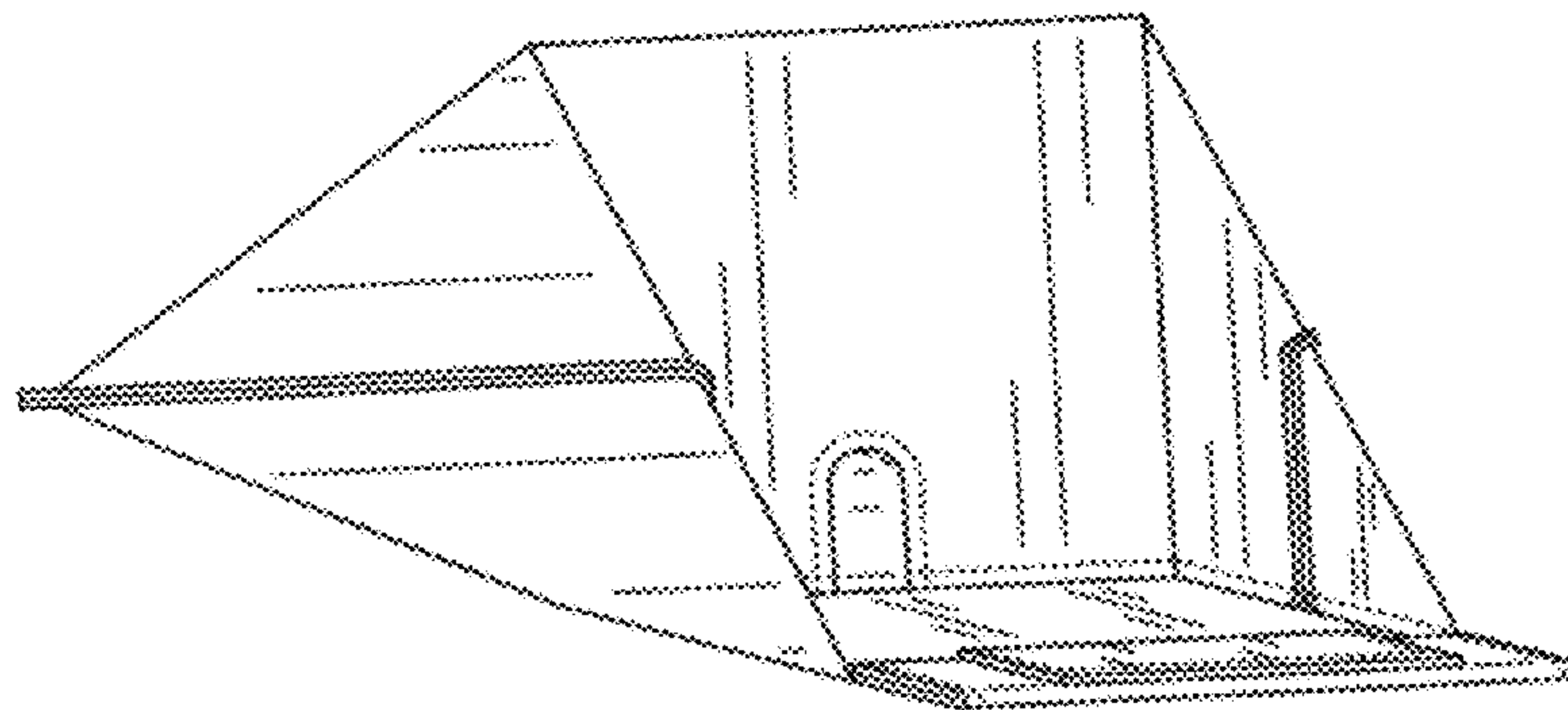
The ornamental design for a pouch convertible to tablet stand,  
as shown and described.

**DESCRIPTION**

FIG. 1 is a perspective view of a first embodiment of a pouch convertible to tablet stand of the present invention;  
 FIG. 2 is a front view of the pouch convertible to tablet stand of FIG. 1;  
 FIG. 3 is a back view of the pouch convertible to tablet stand of FIG. 1;  
 FIG. 4 is a left side view of the pouch convertible to tablet stand of FIG. 1;  
 FIG. 5 is a right side view of the pouch convertible to tablet stand of FIG. 1;  
 FIG. 6 is a top view of the pouch convertible to tablet stand of FIG. 1;  
 FIG. 7 is a bottom view of the pouch convertible to tablet stand of FIG. 1;  
 FIG. 8 is a perspective view of the pouch convertible to tablet stand of FIG. 1 including a tablet positioned on the pouch convertible to tablet stand; and,  
 FIG. 9 is a perspective view of the pouch convertible to tablet stand of FIG. 1 including a tablet positioned on the pouch convertible to tablet stand.

The broken line showing of the surface treatment and tablet held in various positions by the pouch convertible to tablet stand are for illustrative purposes only and form no part of the claimed design.

**1 Claim, 8 Drawing Sheets**



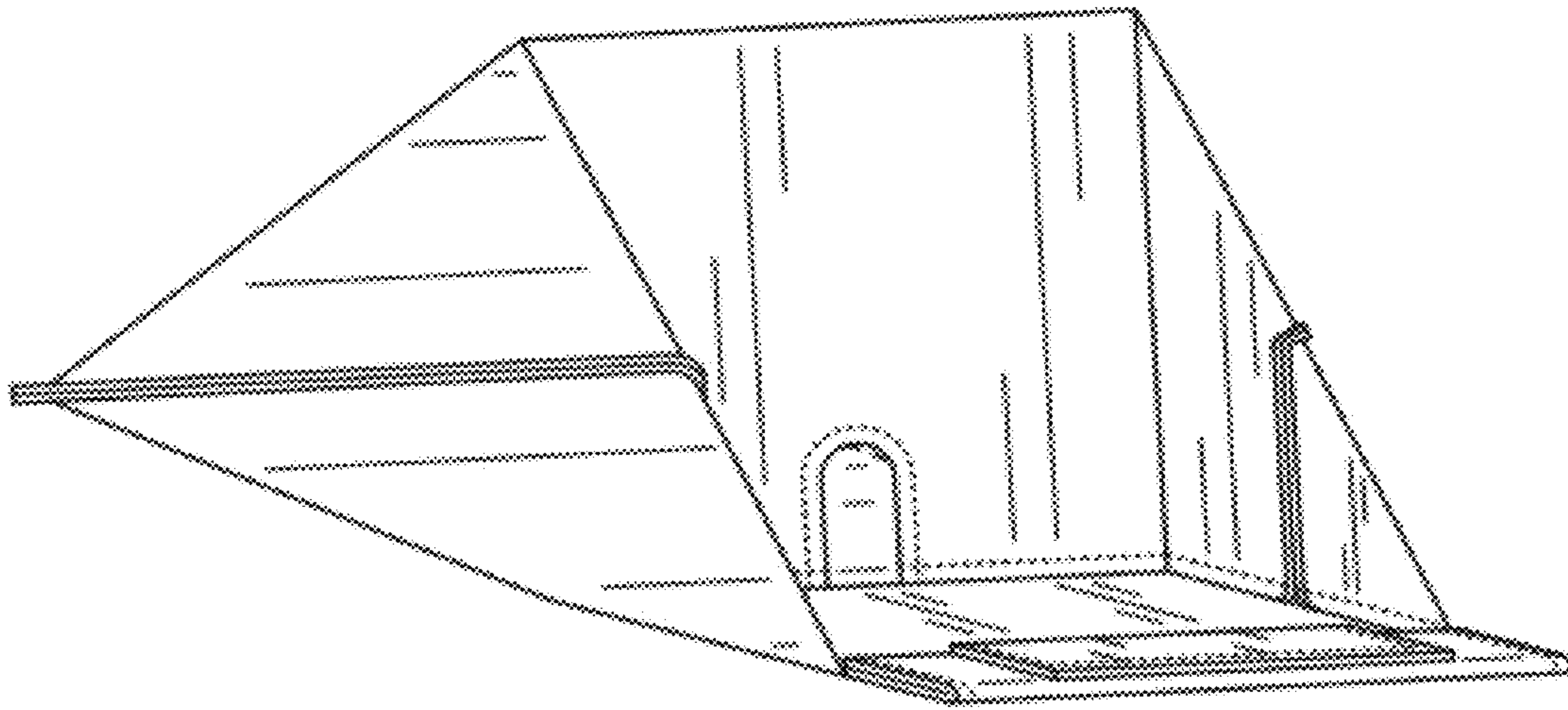


FIG. 1

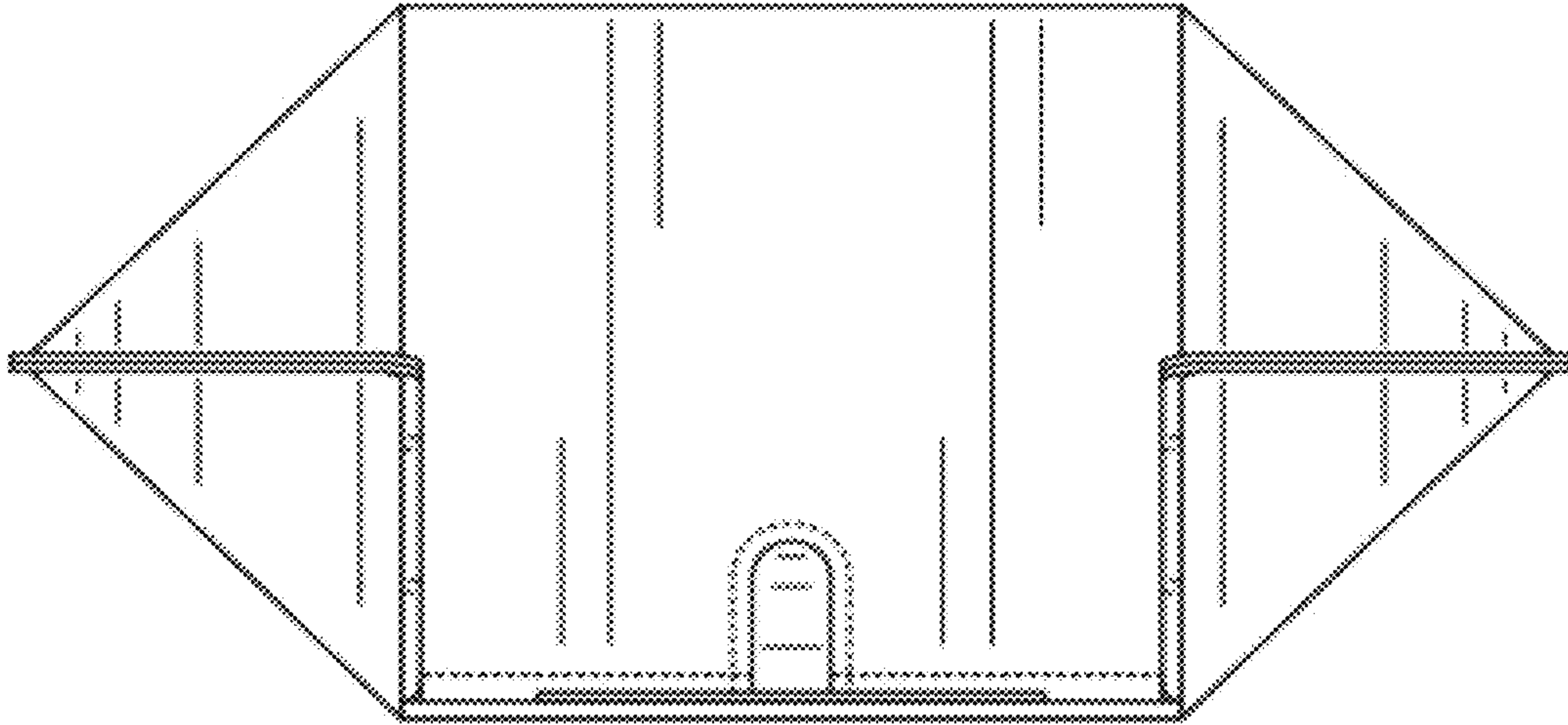


FIG. 2

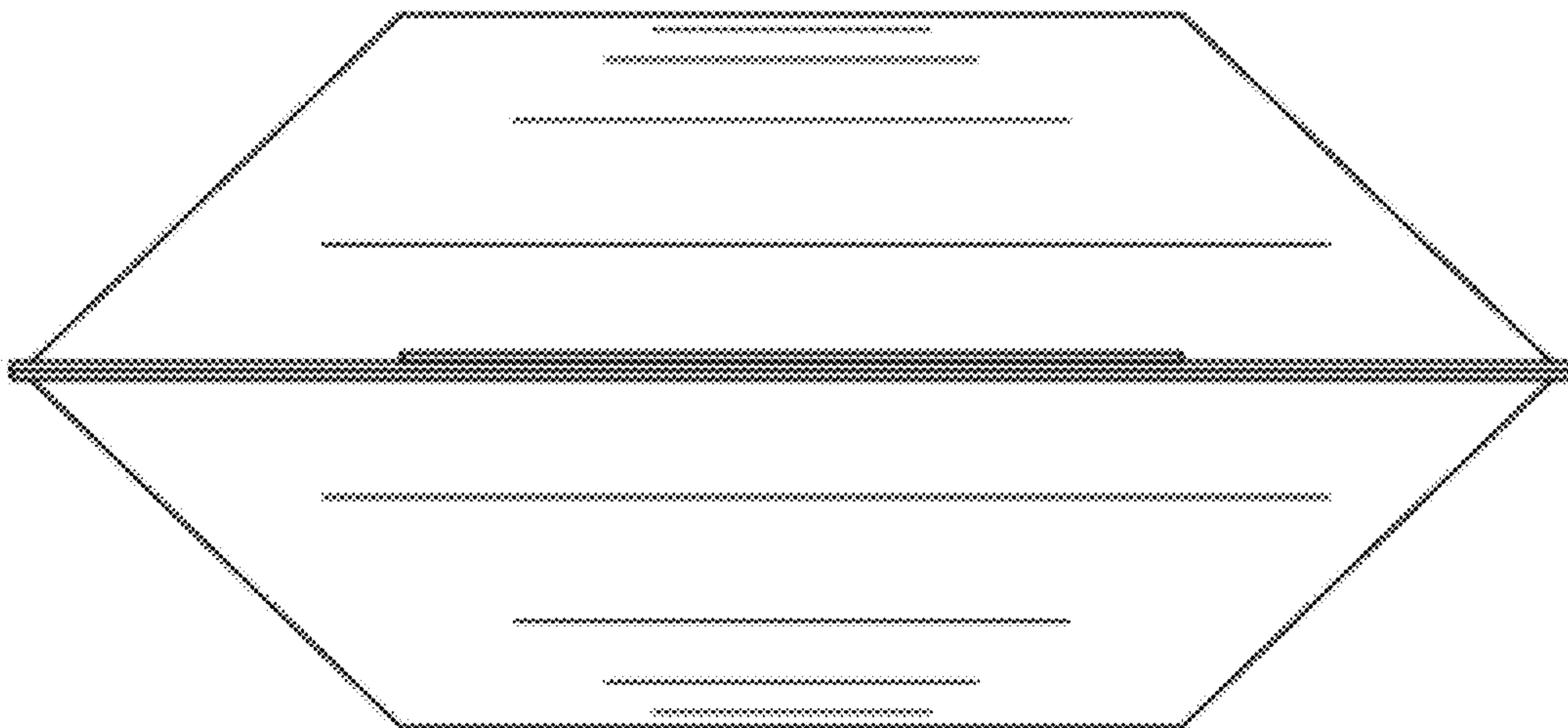


FIG. 3

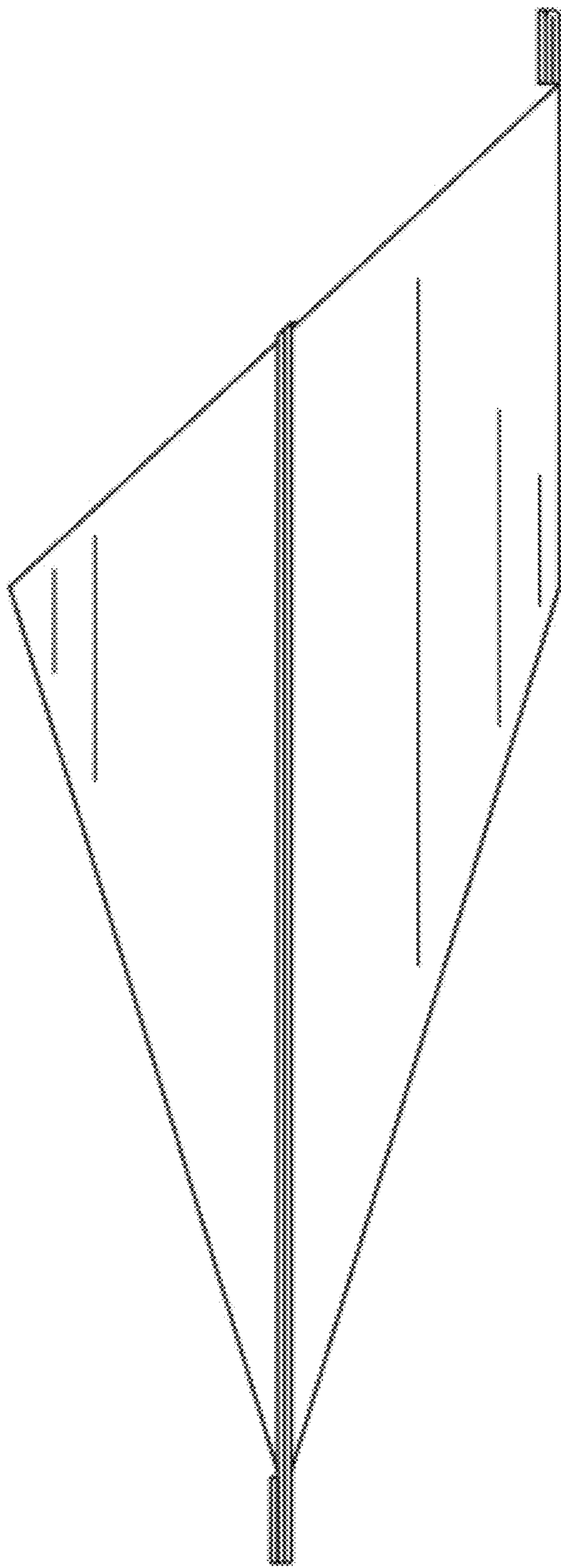


FIG. 4



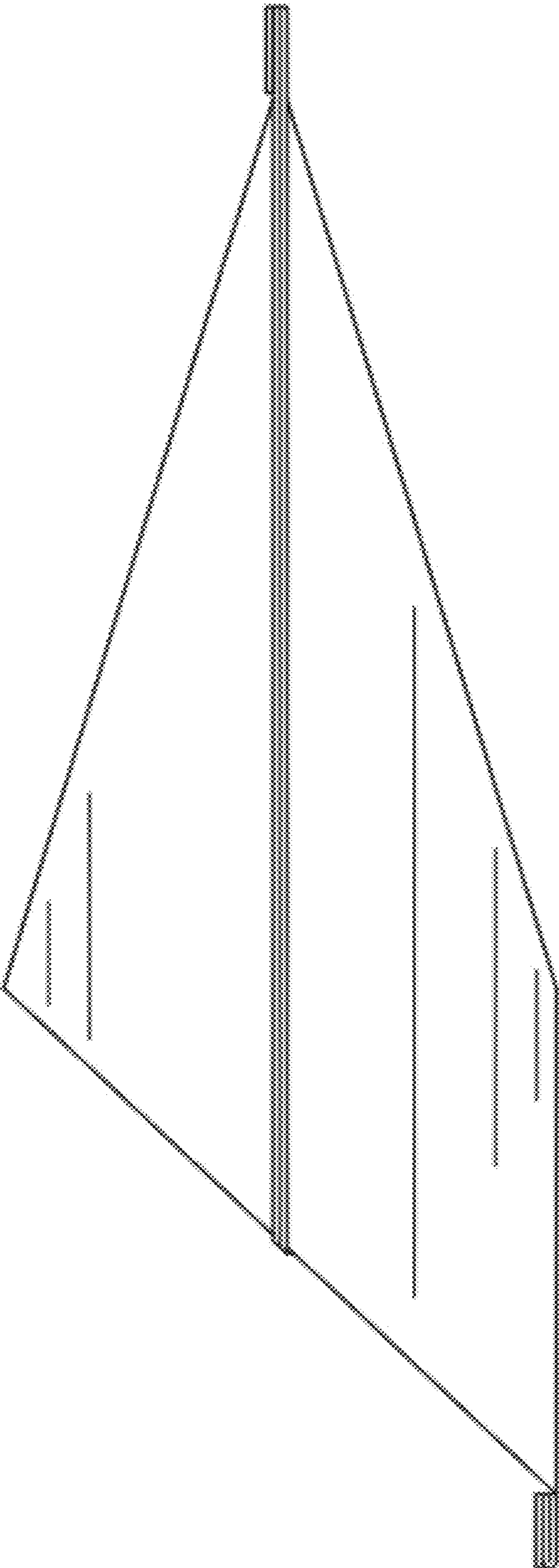


FIG. 5

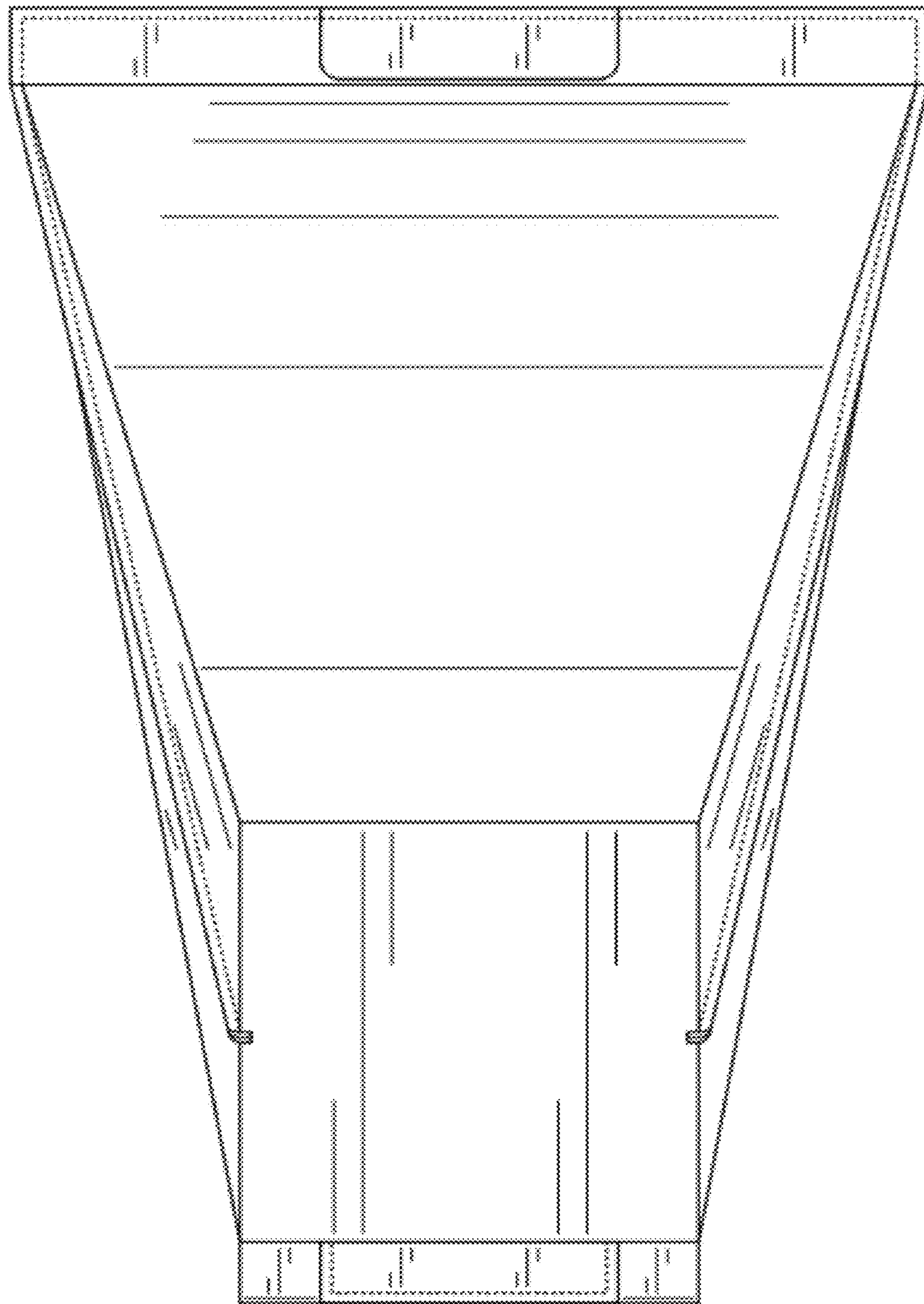


FIG. 6

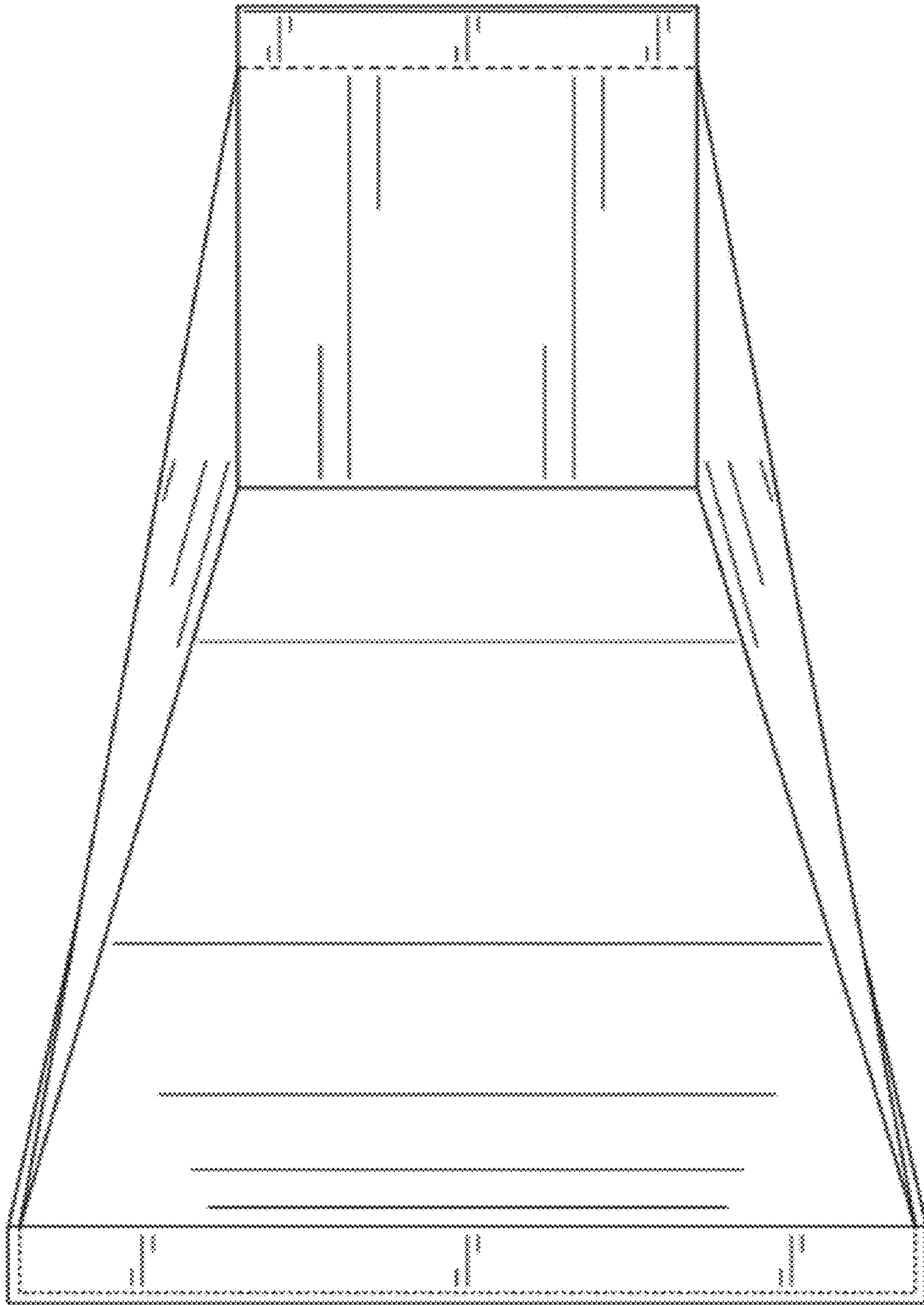


FIG. 7

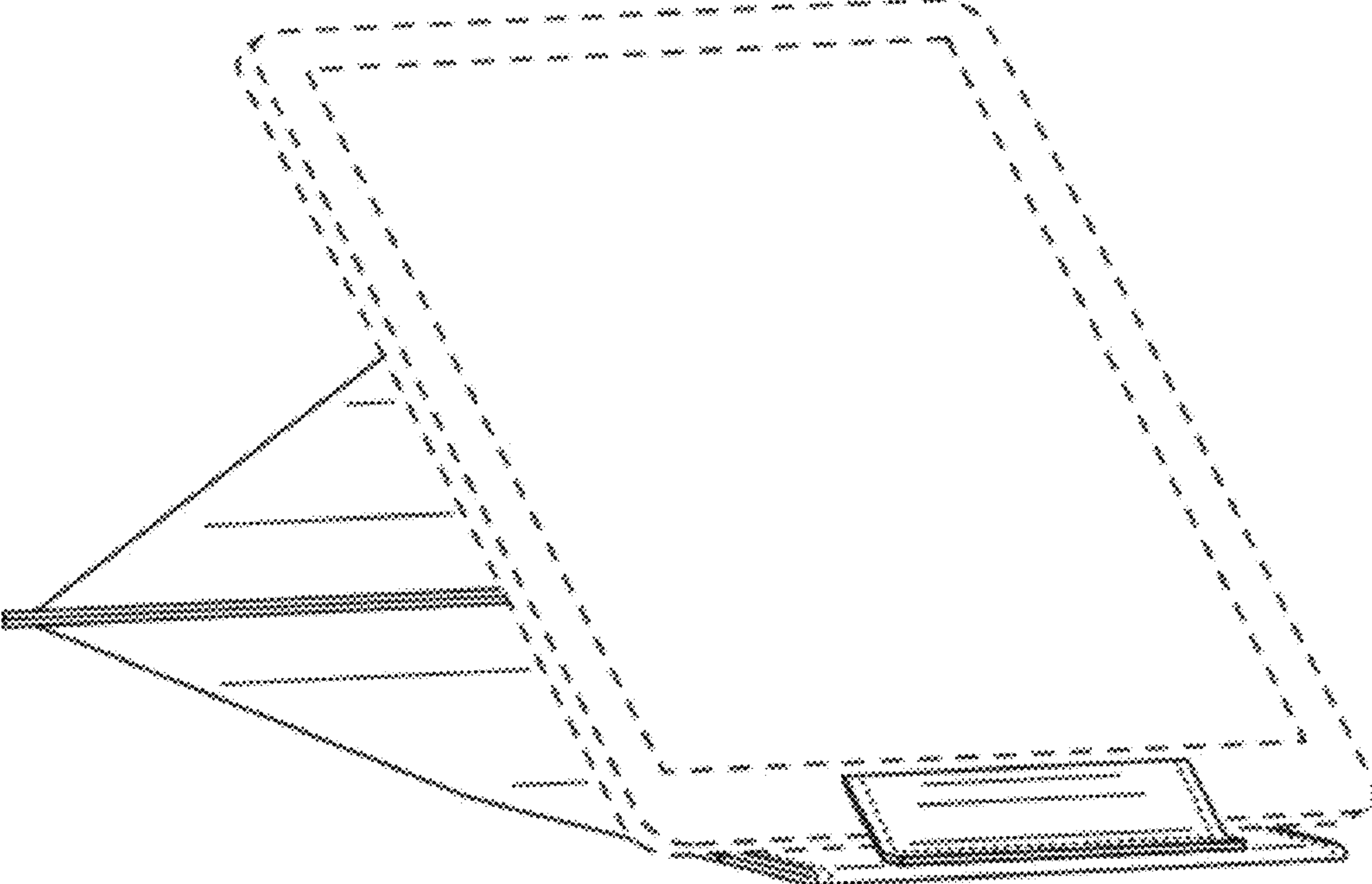


FIG. 8



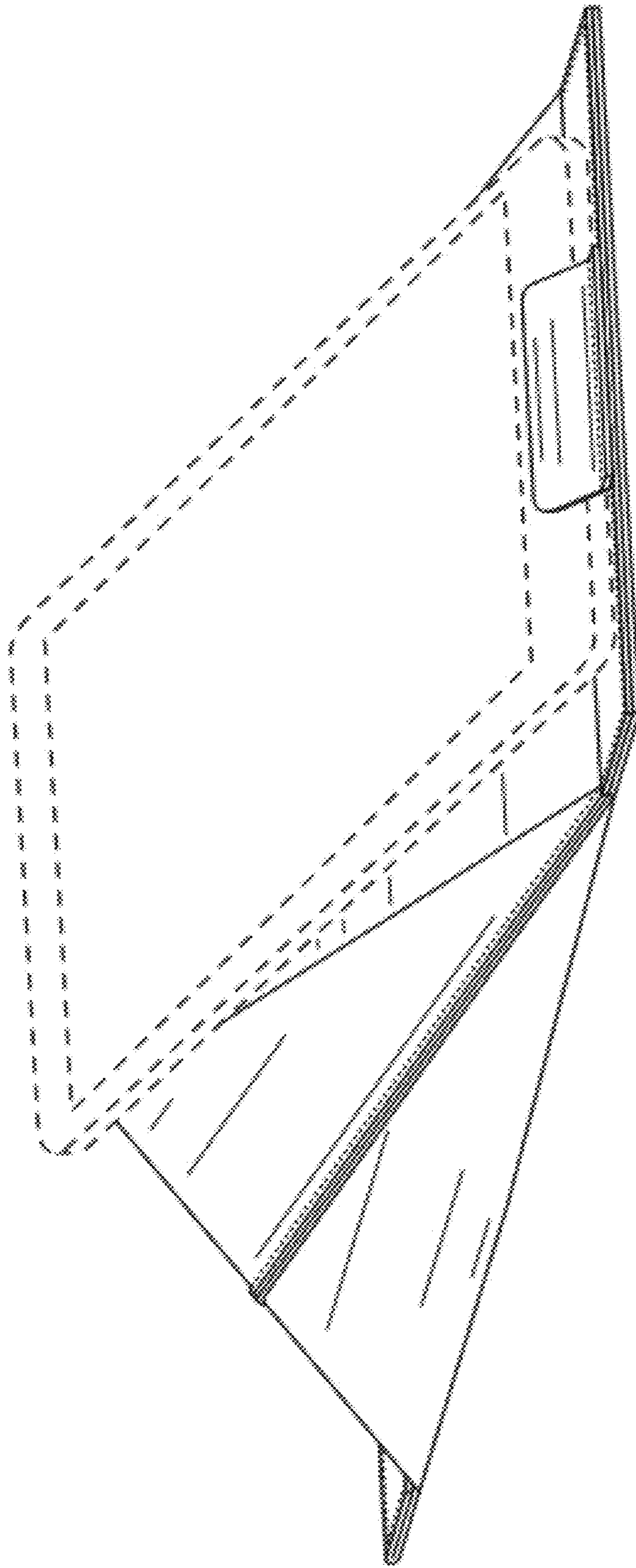


FIG. 9