



US00D676451S

(12) **United States Design Patent**
Stanek et al.

(10) **Patent No.:** **US D676,451 S**

(45) **Date of Patent:** **** Feb. 19, 2013**

(54) **MOUNT FOR TABLET COMPUTER**

(75) Inventors: **Nick Stanek**, Roseville, MN (US);
Joseph Vail, Coon Rapids, MN (US)

(73) Assignee: **Milestone AV Technologies LLC**, Eden
Prairie, MN (US)

(**) Term: **14 Years**

(21) Appl. No.: **29/415,952**

(22) Filed: **Mar. 15, 2012**

(51) **LOC (9) Cl.** **08-07**

(52) **U.S. Cl.** **D14/447**

(58) **Field of Classification Search** D14/447,
D14/432, 434, 433, 439, 440, 448, 451, 452,
D14/457, 460, 217, 239, 238.1, 250, 251,
D14/253, 203.8, 341, 336, 371, 372, 374,
D14/375, 376, 377, 378, 379, 392; D13/107,
D13/108; D3/218; D6/406.1, 406.3, 406.4,
D6/406.5, 406.6, 419, 420, 429, 396, 449,
D6/466, 467, 471; 361/679.02, 679.09, 679.19,
361/679.21, 679.22, 679.23, 679.26, 679.27,
361/679.3, 679.55, 679.56, 679.6; 248/917-924,
248/136, 150, 152, 153, 371, 166, 176.1,
248/176.3, 188.6, 676, 678, 441.1, 444.1,
248/447, 447.1, 447.2, 451, 454, 455, 456,
248/460, 463, 465.1

See application file for complete search history.

(56) **References Cited**

U.S. PATENT DOCUMENTS

- D634,315 S * 3/2011 Nousiainen D14/253
- D636,396 S * 4/2011 Li D14/439
- D640,707 S * 6/2011 Yeh D14/447
- D641,756 S * 7/2011 Hsieh et al. D14/440
- D643,843 S * 8/2011 Hsieh et al. D14/440
- D649,144 S * 11/2011 Fathollahi D14/250

- D651,606 S * 1/2012 Luijben D14/447
- D652,825 S * 1/2012 Bau D14/238.1
- D658,651 S * 5/2012 Lee et al. D14/452
- D660,305 S * 5/2012 Ho et al. D14/447
- D666,205 S * 8/2012 Li et al. D14/452
- 8,238,086 B2 * 8/2012 Ou 361/679.21
- 2012/0170194 A1 * 7/2012 Lord et al. 361/679.02

* cited by examiner

Primary Examiner — Angela J Lee

(74) *Attorney, Agent, or Firm* — Patterson Thuent
Christensen Pedersen, P.A.

(57) **CLAIM**

The ornamental design for a mount for tablet computer, as shown and described.

DESCRIPTION

FIG. 1 is a rear isometric view of a mount for tablet computer according to the invention, with a mounting arm depicted in broken lines;

FIG. 2 is a rear isometric view of the mount for tablet computer depicted in FIG. 1;

FIG. 3 is a side elevation view of the mount for tablet computer depicted in FIG. 1;

FIG. 4 is an opposing side elevation view of the mount for tablet computer depicted in FIG. 1;

FIG. 5 is a top plan view of the mount for tablet computer depicted in FIG. 1;

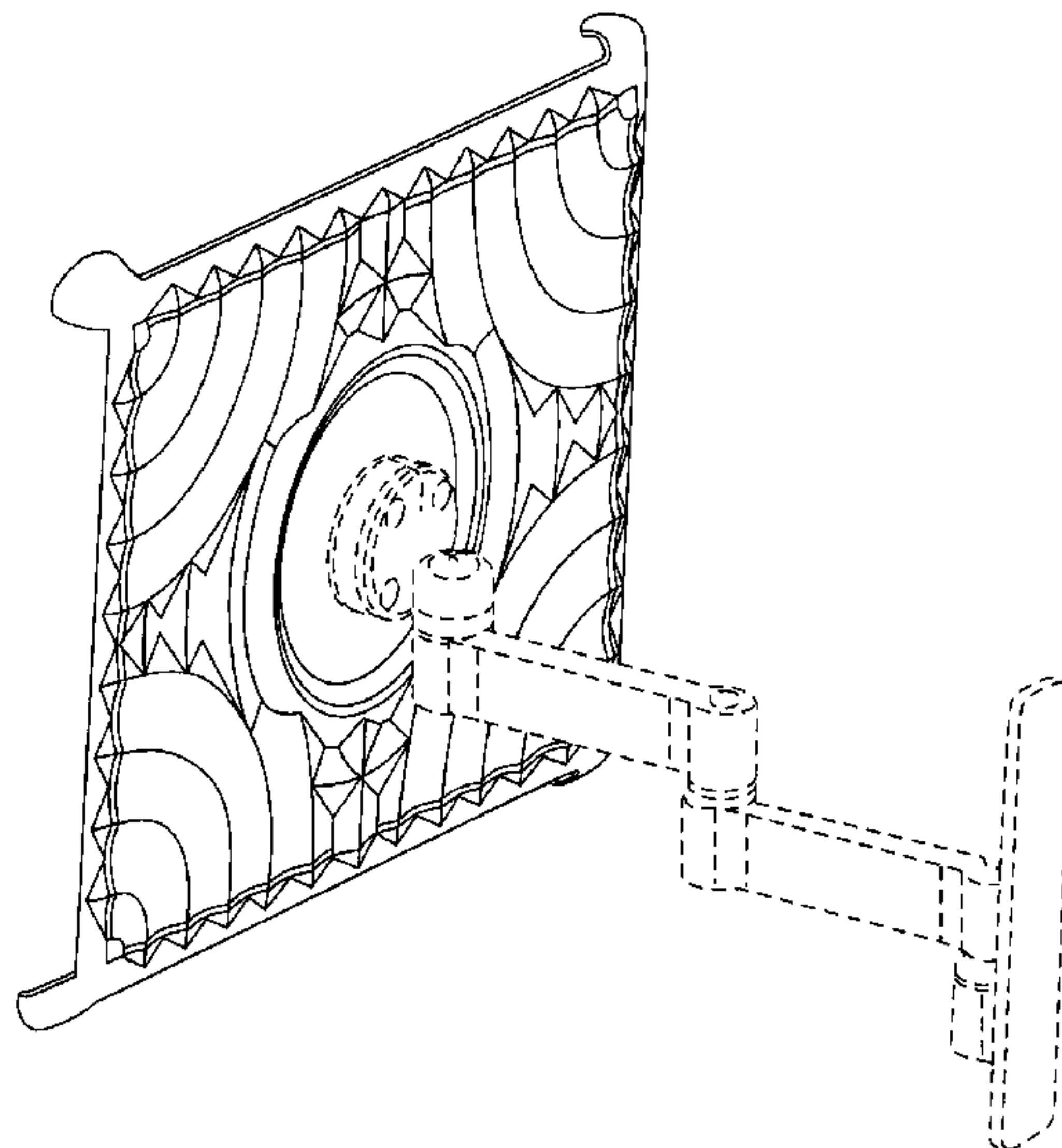
FIG. 6 is a bottom plan view of the mount for tablet computer depicted in FIG. 1;

FIG. 7 is a rear elevation view of the mount for tablet computer depicted in FIG. 1; and,

FIG. 8 is a front elevation view of the mount for tablet computer depicted in FIG. 1.

The portions of the figures rendered in broken lines form no part of the claimed invention.

1 Claim, 6 Drawing Sheets



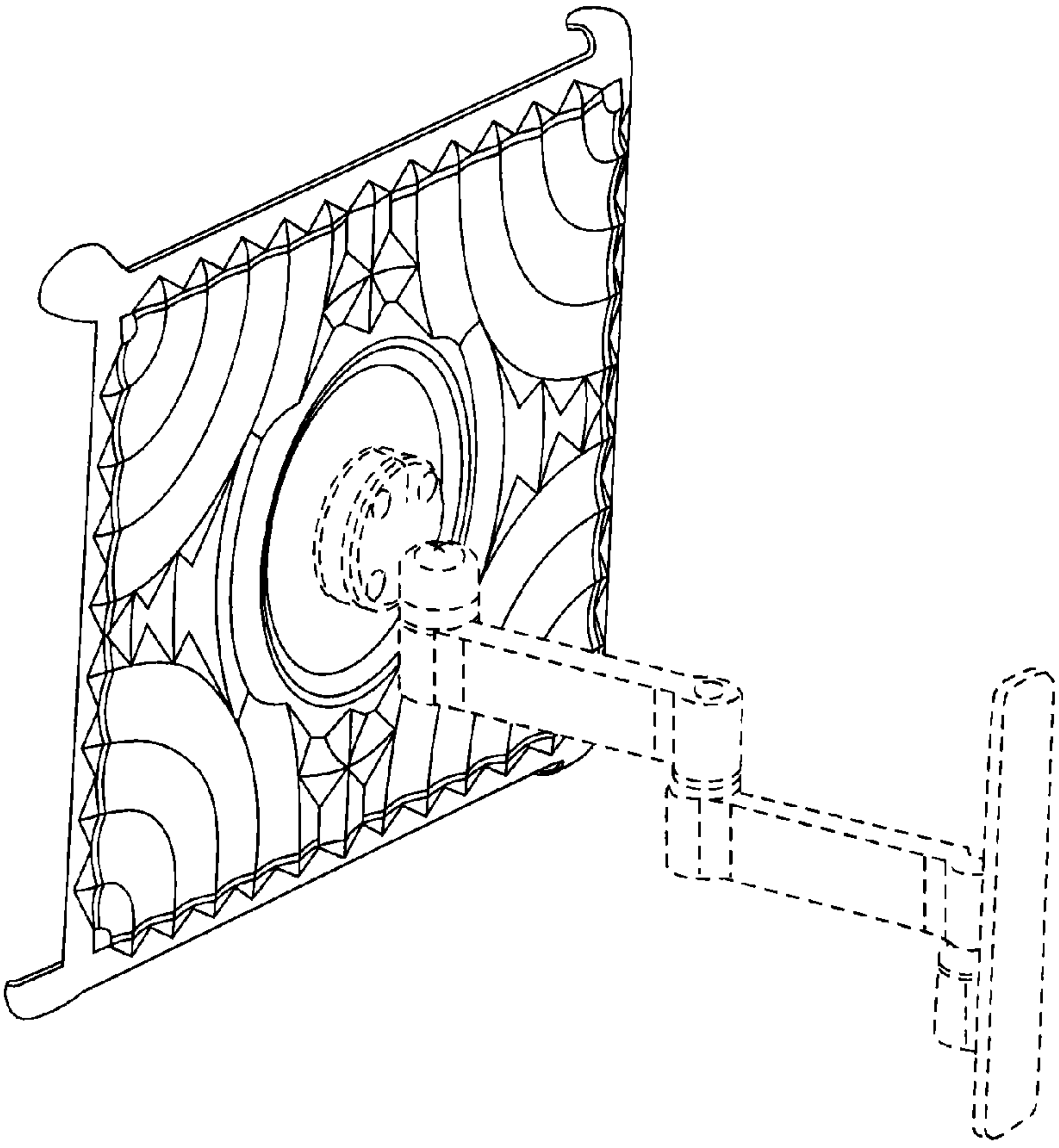


Fig. 1

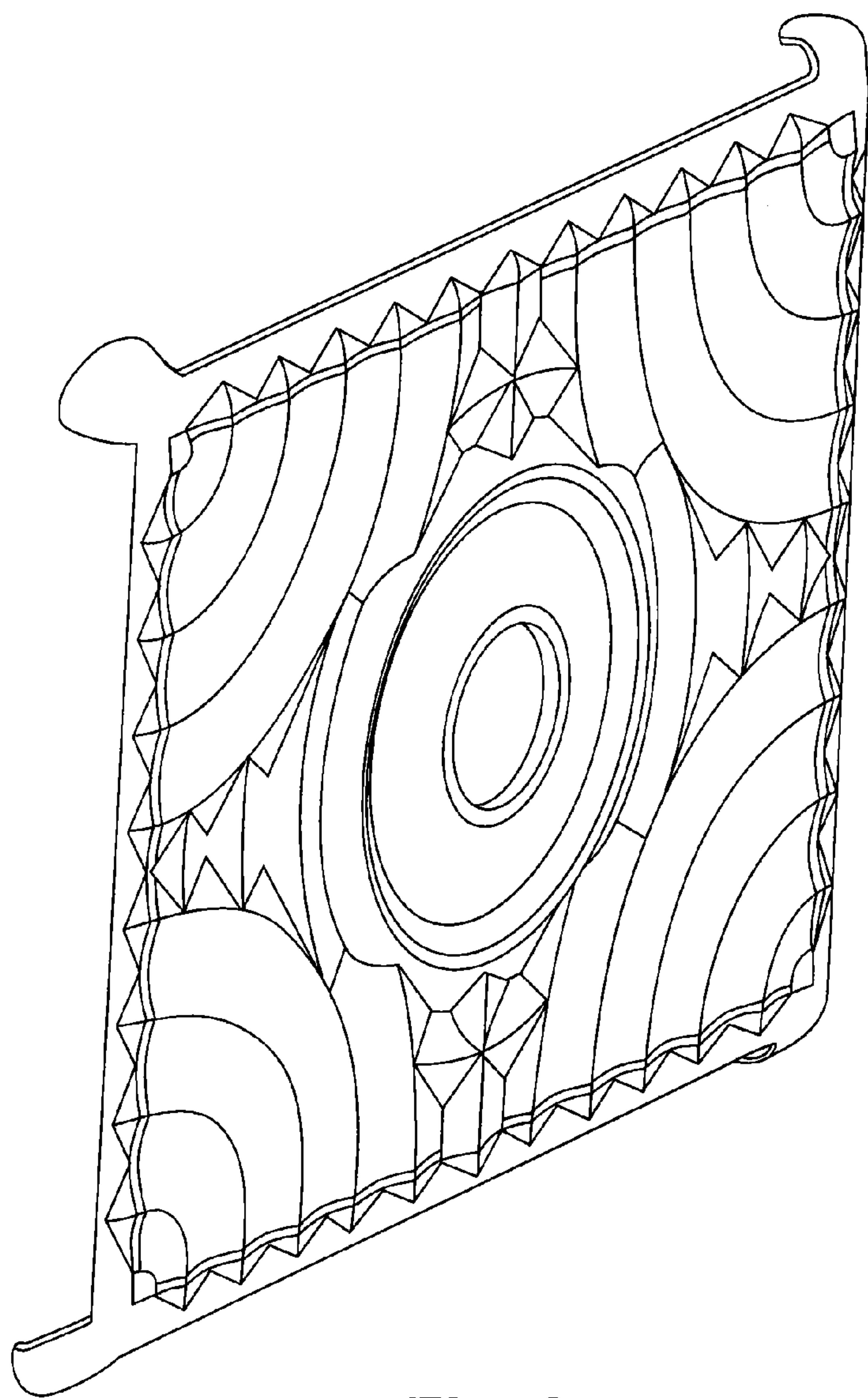


Fig. 2



Fig. 3



Fig. 4

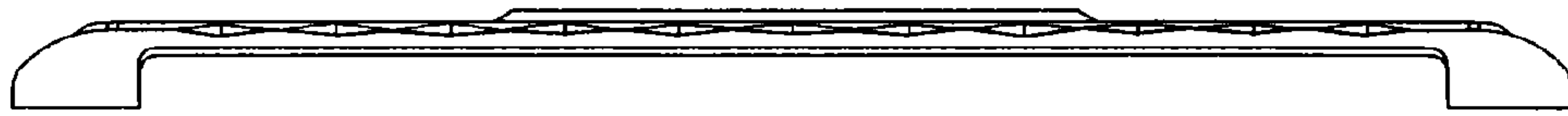


Fig. 5

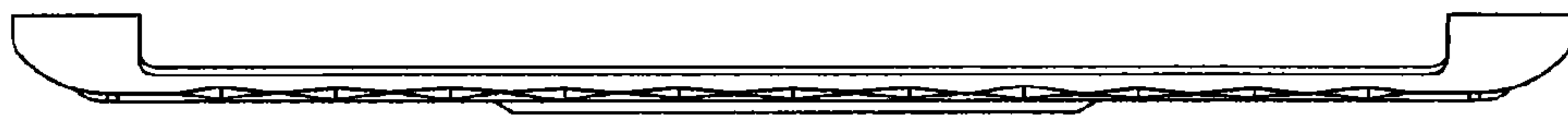


Fig. 6

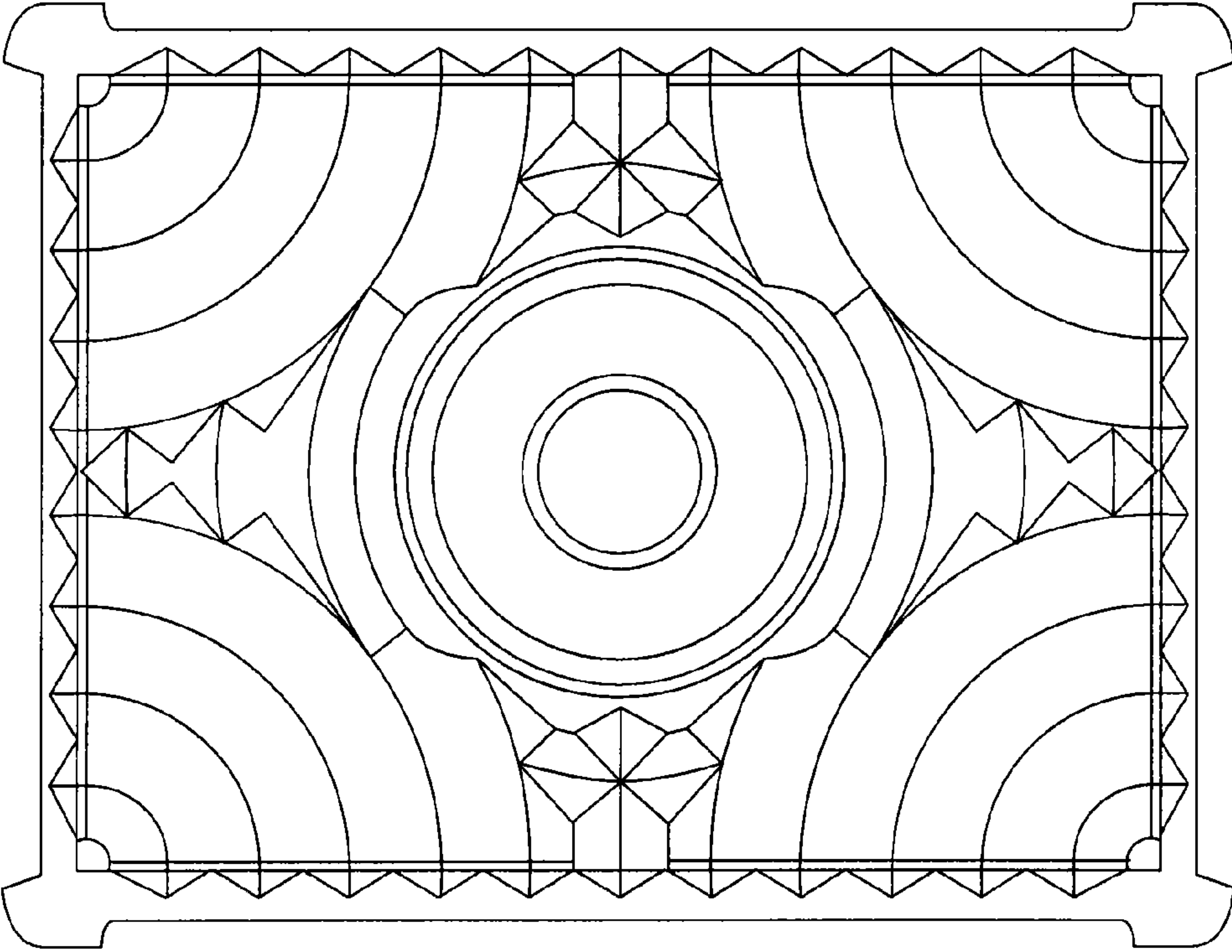


Fig. 7

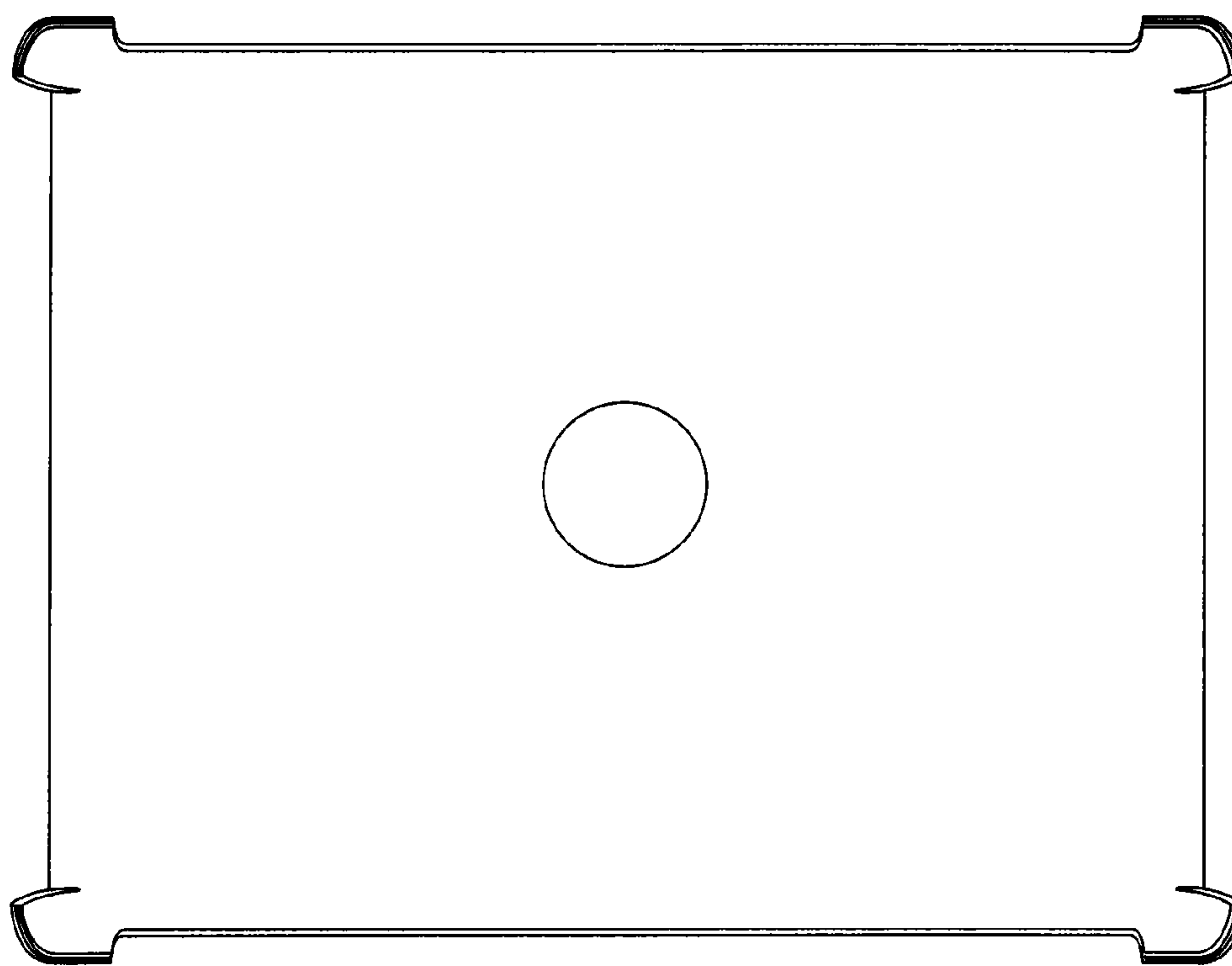


Fig. 8