



US00D676450S

(12) **United States Design Patent**
Lye

(10) **Patent No.:** **US D676,450 S**

(45) **Date of Patent:** **** Feb. 19, 2013**

(54) **UPRIGHT LAPTOP STAND**

(76) Inventor: **Kok Hong Lye**, Singapore (SG)

(**) Term: **14 Years**

(21) Appl. No.: **29/412,312**

(22) Filed: **Feb. 1, 2012**

(51) **LOC (9) Cl.** **08-07**

(52) **U.S. Cl.** **D14/447**

(58) **Field of Classification Search** D14/447,
D14/432, 434, 433, 439, 440, 448, 451, 452,
D14/457, 460, 217, 239, 238.1, 250, 251,
D14/253; D13/107, 108; D3/218; D6/406.1,
D6/406.3, 406.4, 406.5, 406.6, 419, 420,
D6/429; 361/679.02, 679.09, 679.19, 679.21,
361/679.22, 679.23, 679.26, 679.27, 679.3,
361/679.55, 679.56, 679.6; 248/917-924,
248/136, 150, 152, 153, 371, 166, 176.1,
248/176.3, 188.6, 676, 678, 441.1, 444.1,
248/447, 447.1, 447.2, 451, 454, 455, 456,
248/460, 463, 465.1

See application file for complete search history.

(56) **References Cited**

U.S. PATENT DOCUMENTS

6,545,864 B2 * 4/2003 Davis, IV 361/679.55
D508,459 S * 8/2005 Yoshida D13/108
D520,014 S * 5/2006 Harris et al. D14/434
D575,350 S * 8/2008 Ashida et al. D21/333

7,502,225 B2 * 3/2009 Solomon et al. 361/679.41
D590,404 S * 4/2009 Kim et al. D14/447
D599,801 S * 9/2009 Skaf et al. D14/434
D622,274 S * 8/2010 Green D14/447
D626,559 S * 11/2010 Green D14/447
D636,395 S * 4/2011 Anderson et al. D14/434
D642,123 S * 7/2011 Joung D13/108
D647,525 S * 10/2011 Seto D14/434
D663,726 S * 7/2012 Gourley D14/251

OTHER PUBLICATIONS

Charlie Sorrel, Floater Vertical Laptop Stand: Pretty and Pricey, Jun. 27, 2007, <http://www.wired.com/gadgetlab/2007/06/floater-vertical/>.

* cited by examiner

Primary Examiner — Angela J Lee

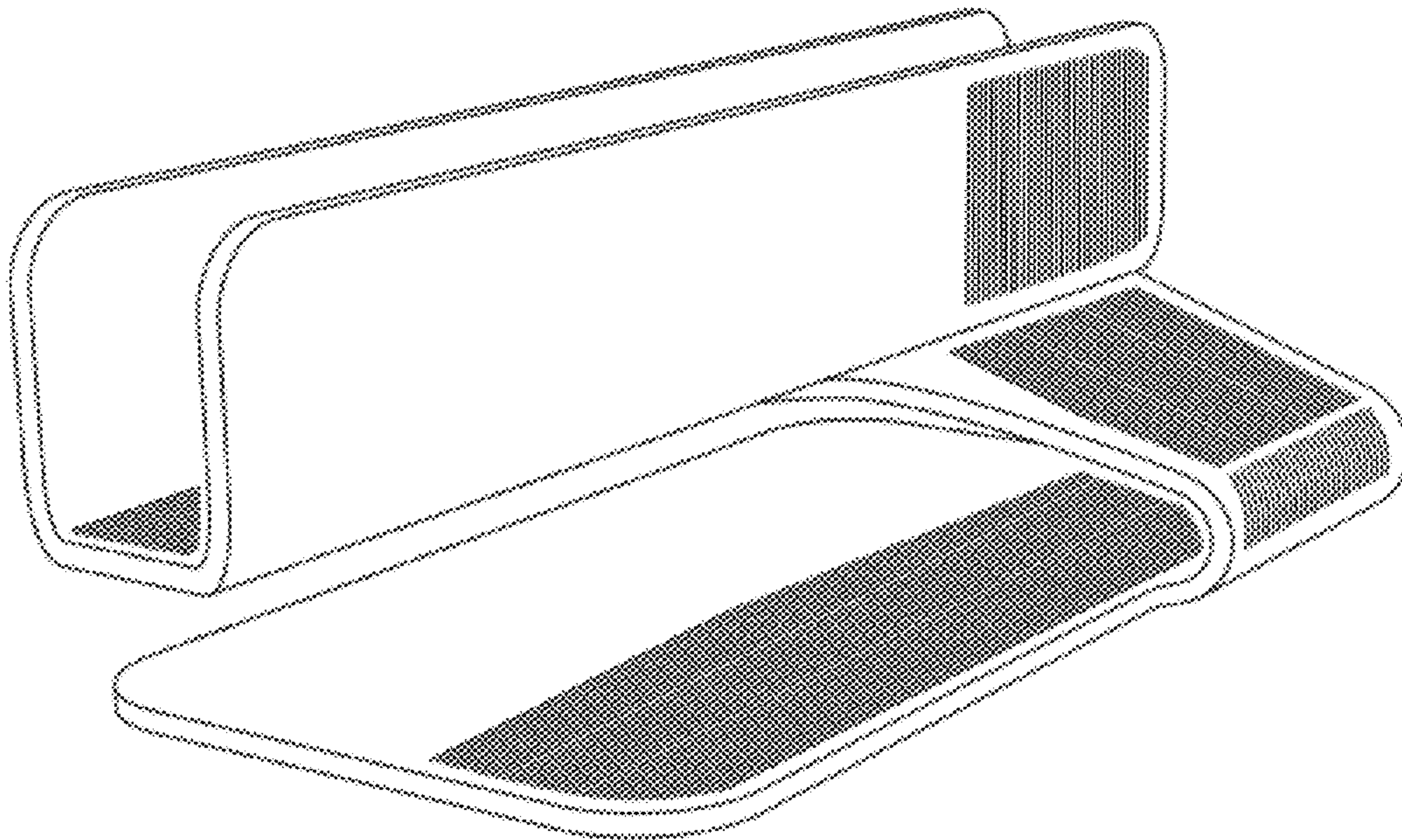
(57) **CLAIM**

The ornamental design for an upright laptop stand, as shown and described.

DESCRIPTION

FIG. 1 is a perspective view of an upright laptop stand showing my new design;
FIG. 2 is a right side elevational view thereof;
FIG. 3 is a top plan view thereof; and,
FIG. 4 is a front view thereof.

1 Claim, 2 Drawing Sheets



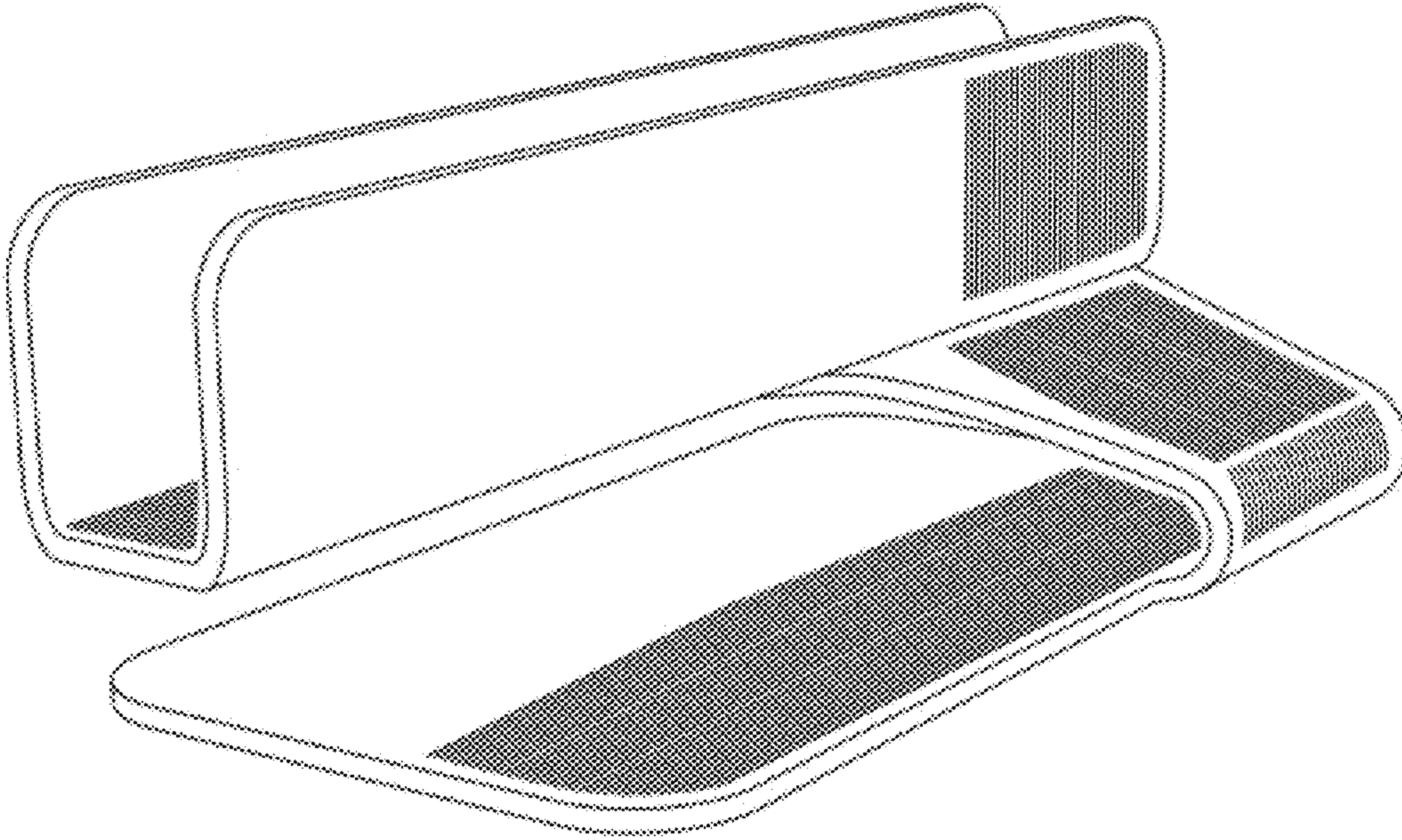


Fig. 1

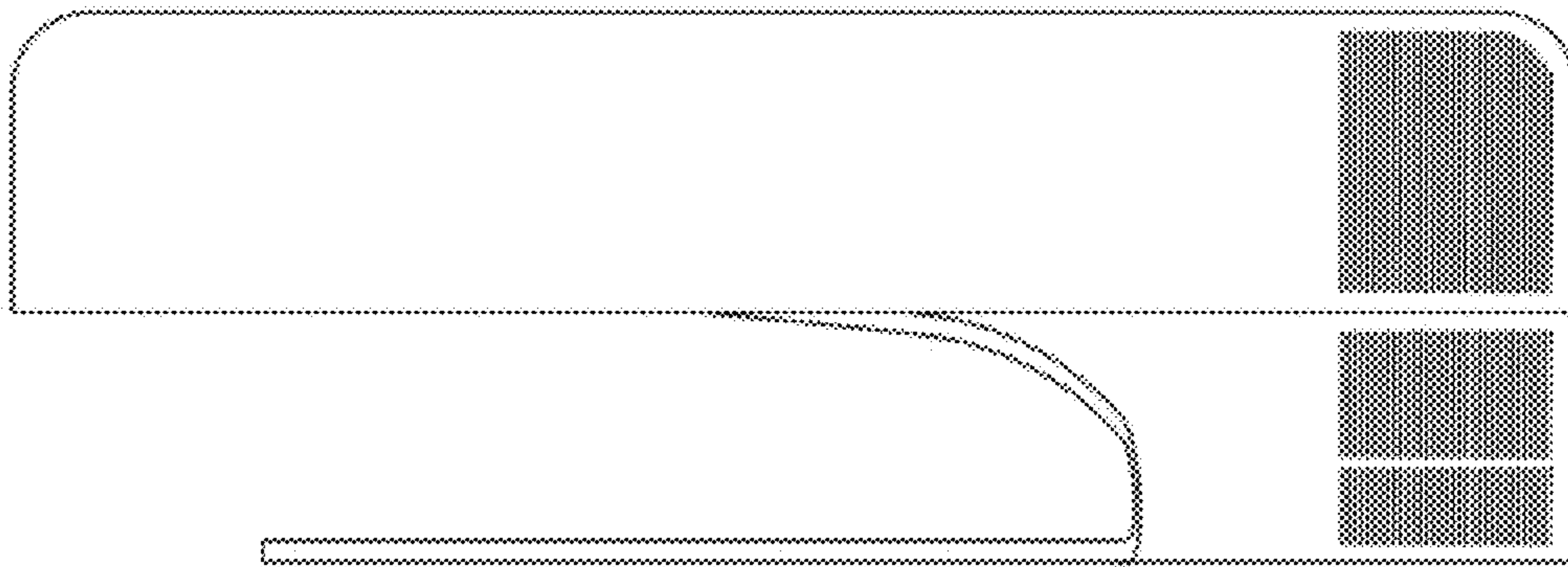


Fig. 2

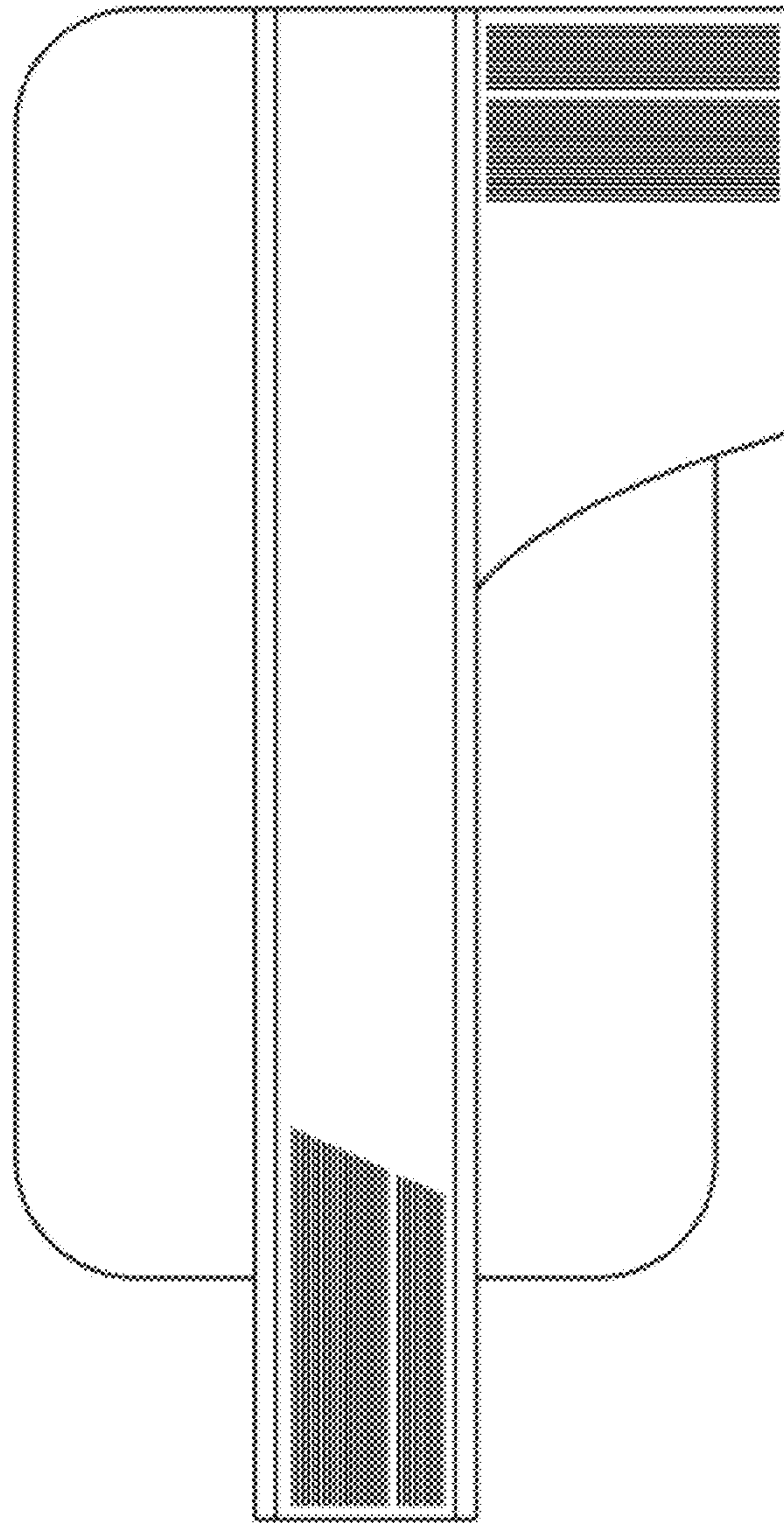


Fig. 3

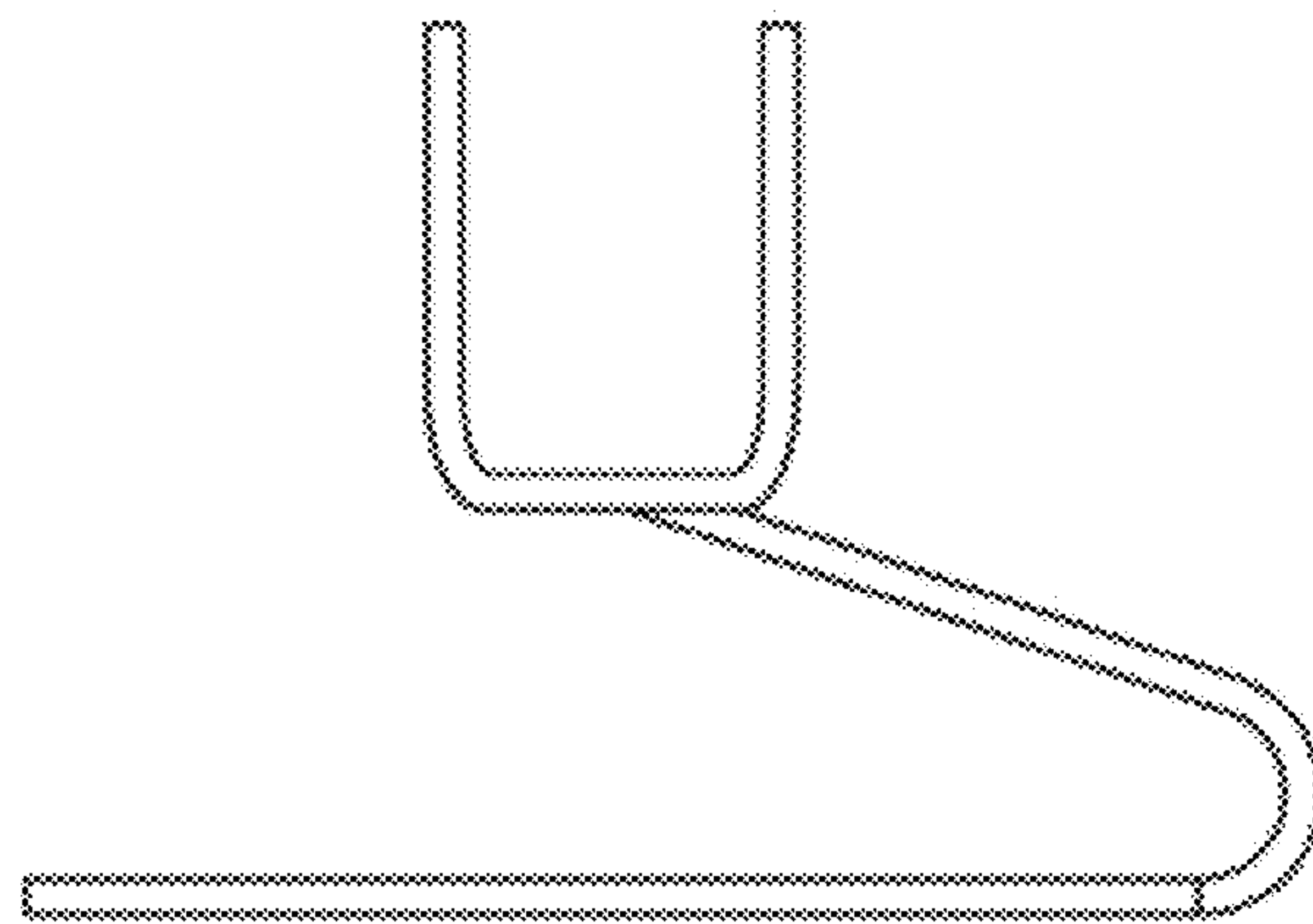


Fig. 4