



US00D676448S

(12) **United States Design Patent**  
**Gorman et al.**

(10) **Patent No.:** **US D676,448 S**  
(45) **Date of Patent:** **\*\* Feb. 19, 2013**

(54) **DISPLAY TABLET ENCLOSURE**

(75) Inventors: **Daniel Gorman**, Roswell, NM (US);  
**Kemper Barkhurst**, Albuquerque, NM (US)

(73) Assignee: **NClosures, Inc.**, Traverse City, MI (US)

(\*\*) Term: **14 Years**

(21) Appl. No.: **29/399,786**

(22) Filed: **Aug. 18, 2011**

(51) **LOC (9) Cl.** ..... **14-02**

(52) **U.S. Cl.** ..... **D14/440**

(58) **Field of Classification Search** ..... D14/250,  
D14/251, 253, 240, 217, 496, 440, 203.3,  
D14/203.4, 203.5, 203.8, 432, 439, 300;  
D3/218, 215, 201; 220/4.02; 248/309.1;  
361/679.56, 752; 379/426, 433.11, 455;  
455/575.1, 575.8; 190/100; 206/305, 320

See application file for complete search history.

(56) **References Cited**

**U.S. PATENT DOCUMENTS**

D279,185 S *	6/1985	Felix et al. ....	D14/251
D466,356 S *	12/2002	Marsilio .....	D6/632
D574,819 S *	8/2008	Andre et al. ....	D3/269
D597,089 S *	7/2009	Khan et al. ....	D14/250
D606,591 S *	12/2009	Pearson .....	D19/86
D615,077 S *	5/2010	Richardson et al. ....	D14/250
D615,536 S *	5/2010	Richardson et al. ....	D14/250
D623,640 S *	9/2010	Freeman .....	D14/250
D626,540 S *	11/2010	Brown et al. ....	D14/250
D634,741 S *	3/2011	Richardson et al. ....	D14/250
D641,558 S *	7/2011	Jedrey .....	D6/310

(Continued)

**OTHER PUBLICATIONS**

Advertising Lab, iPadKiosks, <http://adverlab.blogspot.com/2010/07/ipad-kiosks.html>, Jul. 15, 2010, 5pp, Advertising Lab, U.S.

(Continued)

*Primary Examiner* — Cynthia Underwood

(74) *Attorney, Agent, or Firm* — Traverse Legal, PLC

(57) **CLAIM**

We claim the ornamental design for a display tablet enclosure, as shown and described.

**DESCRIPTION**

Please see co-pending U.S. utility patent application filed on the same day by the same inventors, entitled Security Enclosure For Tablet Display Devices, with application Ser. No. 13/212,770.

FIG. 1 is a front perspective view of a display tablet enclosure embodying the new design.

FIG. 2 is a front perspective view of the display tablet enclosure of FIG. 1 with a front panel open.

FIG. 3 is a top plan view of the display tablet enclosure of FIG. 1.

FIG. 4 is a front elevation view of the display tablet enclosure of FIG. 1.

FIG. 5 is a rear elevation view of the display tablet enclosure of FIG. 1.

FIG. 6 is a left side elevation view of the display tablet enclosure of FIG. 1.

FIG. 7 is a right side elevation view of the display tablet enclosure of FIG. 1.

FIG. 8 is a bottom plan view of the display tablet enclosure of FIG. 1.

FIG. 9 is a front perspective view of a display tablet enclosure embodying the new design, identical to FIG. 1 but with an alternate right side.

FIG. 10 is a front perspective view of the display tablet enclosure of FIG. 9 with a front panel open.

FIG. 11 is a top plan view of the display tablet enclosure of FIG. 9.

FIG. 12 is a front elevation view of the display tablet enclosure of FIG. 9.

FIG. 13 is a rear elevation view of the display tablet enclosure of FIG. 9.

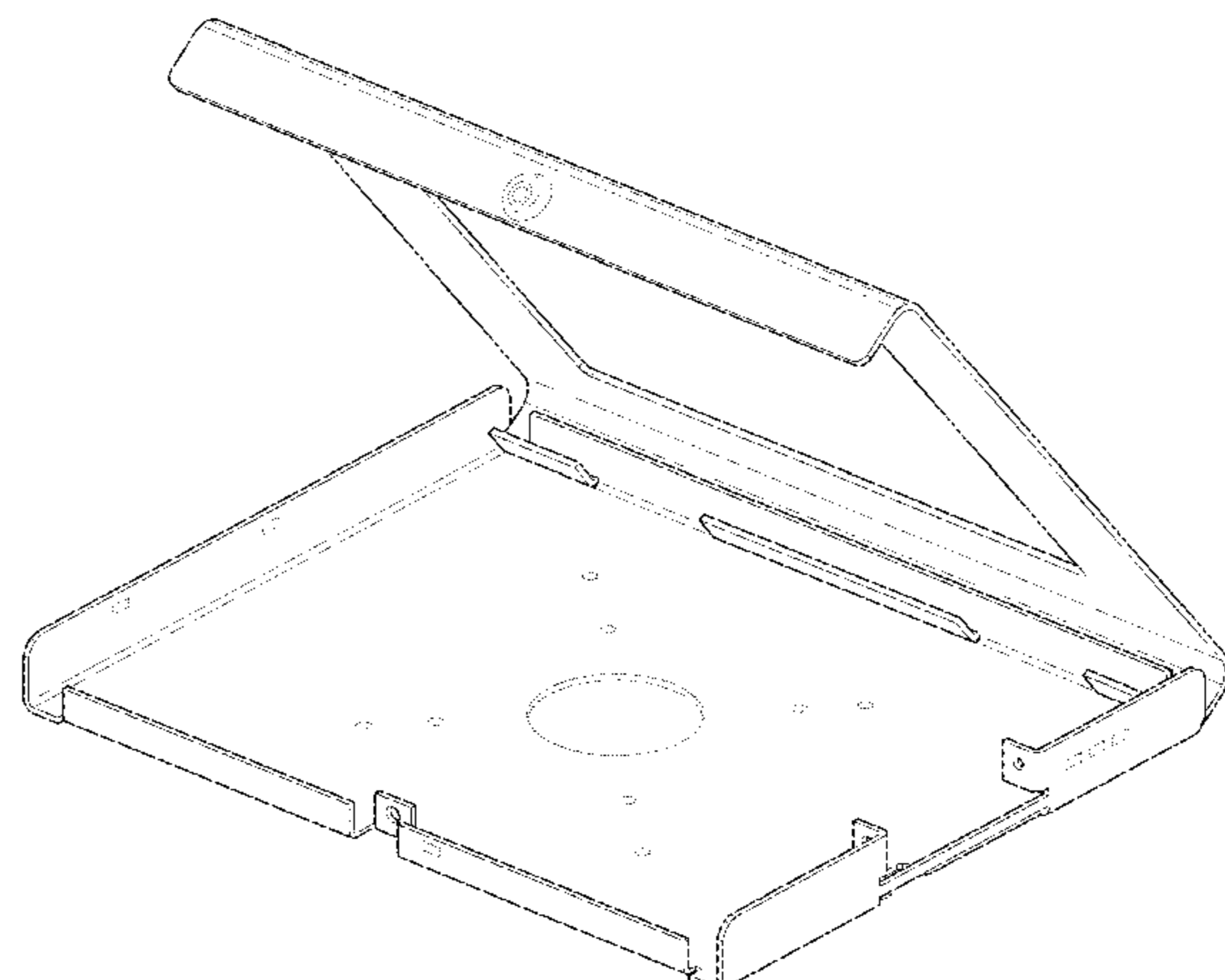
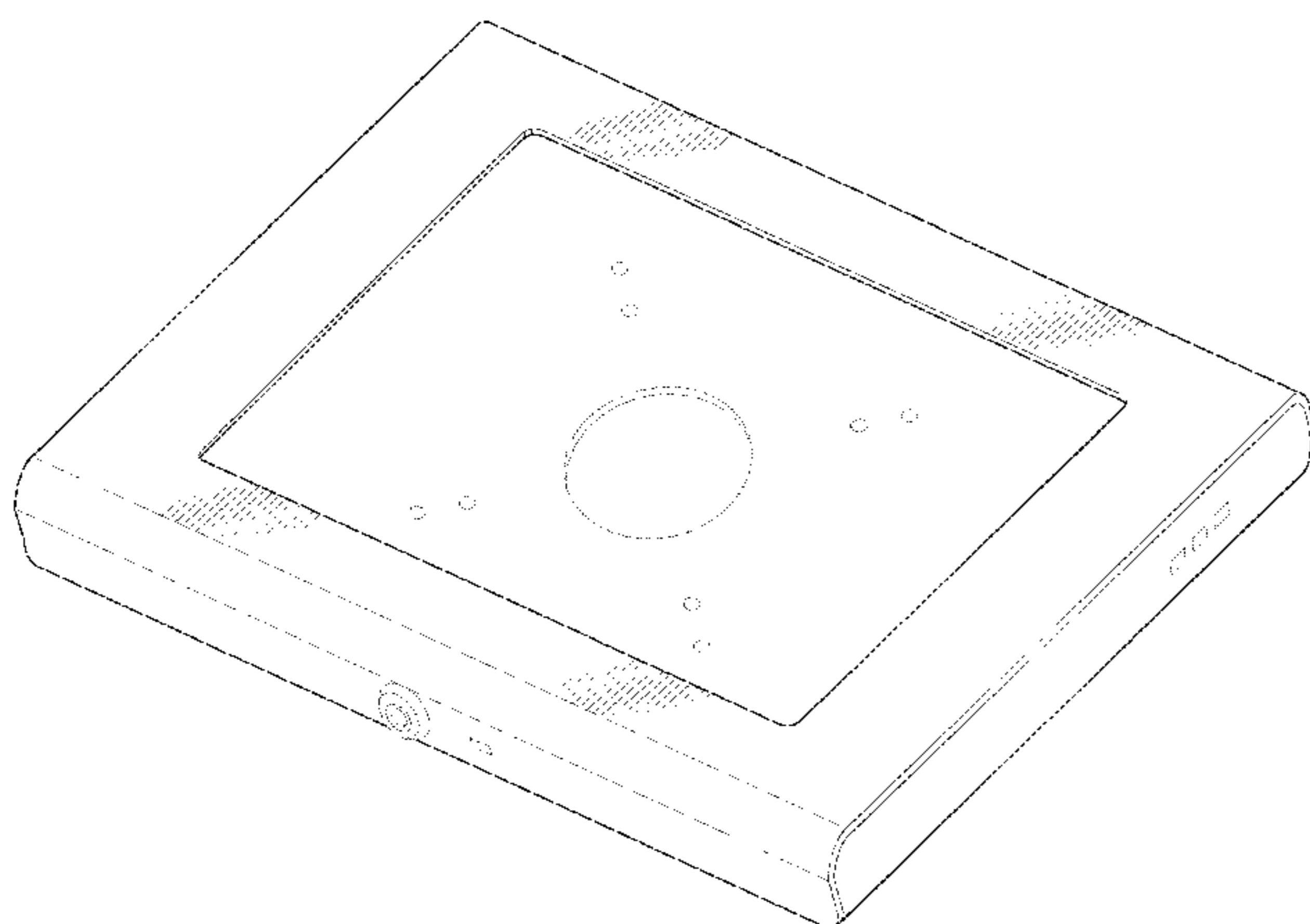
FIG. 14 is a left side elevation view of the display tablet enclosure of FIG. 9.

FIG. 15 is a right side elevation view of the display tablet enclosure of FIG. 9; and,

FIG. 16 is a bottom plan view of the display tablet enclosure of FIG. 9.

The structure illustrated in broken lines is environmental in nature and forms no part of the claimed design.

**1 Claim, 10 Drawing Sheets**



U.S. PATENT DOCUMENTS

D644,635	S *	9/2011	Richardson et al.	.....	D14/250
D651,213	S *	12/2011	Magness et al.	.....	D14/447
D652,825	S *	1/2012	Bau	.....	D14/238.1
D653,202	S *	1/2012	Hasbrook et al.	.....	D13/103
D654,490	S *	2/2012	Weller et al.	.....	D14/250
8,132,670	B1 *	3/2012	Chen	.....	206/320
8,139,357	B2 *	3/2012	Trang	.....	361/679.59
D663,294	S *	7/2012	Buxton	.....	D14/250
D663,295	S *	7/2012	Fahrendorff et al.	.....	D14/250
D664,528	S *	7/2012	Chen et al.	.....	D14/253
2001/0009500	A1 *	7/2001	Selker	.....	361/683
2009/0179132	A1 *	7/2009	Qin et al.	.....	248/371
2009/0186264	A1 *	7/2009	Huang	.....	429/96

OTHER PUBLICATIONS

Ipad News Tracker, Beyond Kiosks.com Reveals iPad Kiosks, [www.ipadnewstracker.com/2010/07/beyondkiosks-com-](http://www.ipadnewstracker.com/2010/07/beyondkiosks-com-) . . . , Jul. 12, 2010, 4pp, iPad News Tracker, U.S.

Bimmer File, BMW NA Launches iPad Kiosk for Autoshow, [www.bimmerfile.com/2010/11/06/bmw-na-](http://www.bimmerfile.com/2010/11/06/bmw-na-) . . . , Nov. 6, 2010, 7pp, Bimmer File, U.S.

Geeks Gab, Consider an iPad Kiosk as a Marketing Tool, [www.geeksgab.com/consider-an-ipad-](http://www.geeksgab.com/consider-an-ipad-) . . . , Jul. 25, 2011, 2pp, Geeks Gab, U.S.

Adrian J. Cotterill, iPad Kiosks, [www.dailydooh.com/archives/50560](http://www.dailydooh.com/archives/50560) . . . , Jul. 11, 2011, 7pp, Daily Dooh, U.S.

RJ Cool, iBracket—Turn your iPad into iKiosk, [www.itgrunts.com/2010/04/26/ibracket-turn-](http://www.itgrunts.com/2010/04/26/ibracket-turn-) . . . , Apr. 26, 2010, 5pp, iT.Grunts, U.S.

Ian Wong, Industrial Design in Victoria Australia, [www.ianwongresearch.blogspot.com/2011/08/launchpad-demo-](http://www.ianwongresearch.blogspot.com/2011/08/launchpad-demo-) . . . , Aug. 14, 2011, 8pp, Ian Wong, U.S.

Ipads Enclosures, iPadEnclosures—Secure.Simple., [www.webarchive.org/web/20101112012631/http://www.ipadenclosures](http://www.webarchive.org/web/20101112012631/http://www.ipadenclosures) . . . Nov. 12, 2010, 2pp, Wayback Machine (iPad Enclosures), U.S.

Evo Exhibits, iPad Kiosk for Trade Shows, <http://blog.evoexhibits.com/?p=3368> . . . , Jul. 21, 2011, 1page, Evo Exhibits, U.S.

Ipads Kiosk, The Official Patent Pending ipads kiosk with swiper, [www.ipadkiosk.com/](http://www.ipadkiosk.com/), 2009-2011(per copyright notice), 4 pp, iPadKiosk, U.S.

Business Listings Australia, iPad Kiosk Stands, <http://businesslistingsaustralia.com.au/ipad-kiosk-> . . . , Jun. 27, 2011, 2pp, Business Listings Australia, AU/U.S.

Lab Shield, A secure kiosk for your iPad, <http://web.archive.org/web/20100719010924/http://labshield.com/>, Jul. 19, 2010, 1page, LabShield.com, U.S.

Bill, iPad Kiosks, [www.padgadget.com/2010/07/15/ipad-kiosks/](http://www.padgadget.com/2010/07/15/ipad-kiosks/), Jul. 15, 2010, 10pp, PadGadget.com, U.S.

Mobile Muse, iPad Pedestal Stands for Sale, [www.mobilemuse.com.au/2011/08/ipad-pedestal-stands-for-sale/](http://www.mobilemuse.com.au/2011/08/ipad-pedestal-stands-for-sale/), Aug. 7, 2011, 9pp, MobileMuse.com, AU/U.S.

PR Log, iPad-Kiosks Products—iPad Enclosure and Kiosk Mounts . . . , [www.prlog.org/11000105-ipad-kiosks-products-](http://www.prlog.org/11000105-ipad-kiosks-products-) . . . , Oct. 14, 2010, 2pp, PrLog.com, U.S.

Hipstomp, iPads make kiosks so easy, it's practically cheating, [www.core77.com/blog/object\\_culture/ipads\\_make\\_](http://www.core77.com/blog/object_culture/ipads_make_) . . . , Jul. 15, 2010, 3pp, Core77.com, U.S.

Maura, Seattle Seahawks use iPad Kiosks to Register 20,000 Fans for Open Practices, [www.ipadforums.net/apple-ipad-news/9363-seattle-](http://www.ipadforums.net/apple-ipad-news/9363-seattle-) . . . , Aug. 29, 2010, 3pp, iPadForums.net, U.S.

Charlie, Tablet offered as Marketing Device, [www.mixingdigital.co.uk/category/uncategorized/](http://www.mixingdigital.co.uk/category/uncategorized/), Aug. 16, 2011, 2pp, Mixing Digital.co.uk, UK/U.S.

Scott Beale, Wooden iPad Kiosk For Square at Sightglass, <http://laughingsquid.com/wooden-ipad-kiosk-> . . . , Apr. 21, 2010, 8pp, LaughingSquid.com, U.S.

\* cited by examiner

FIG. 1

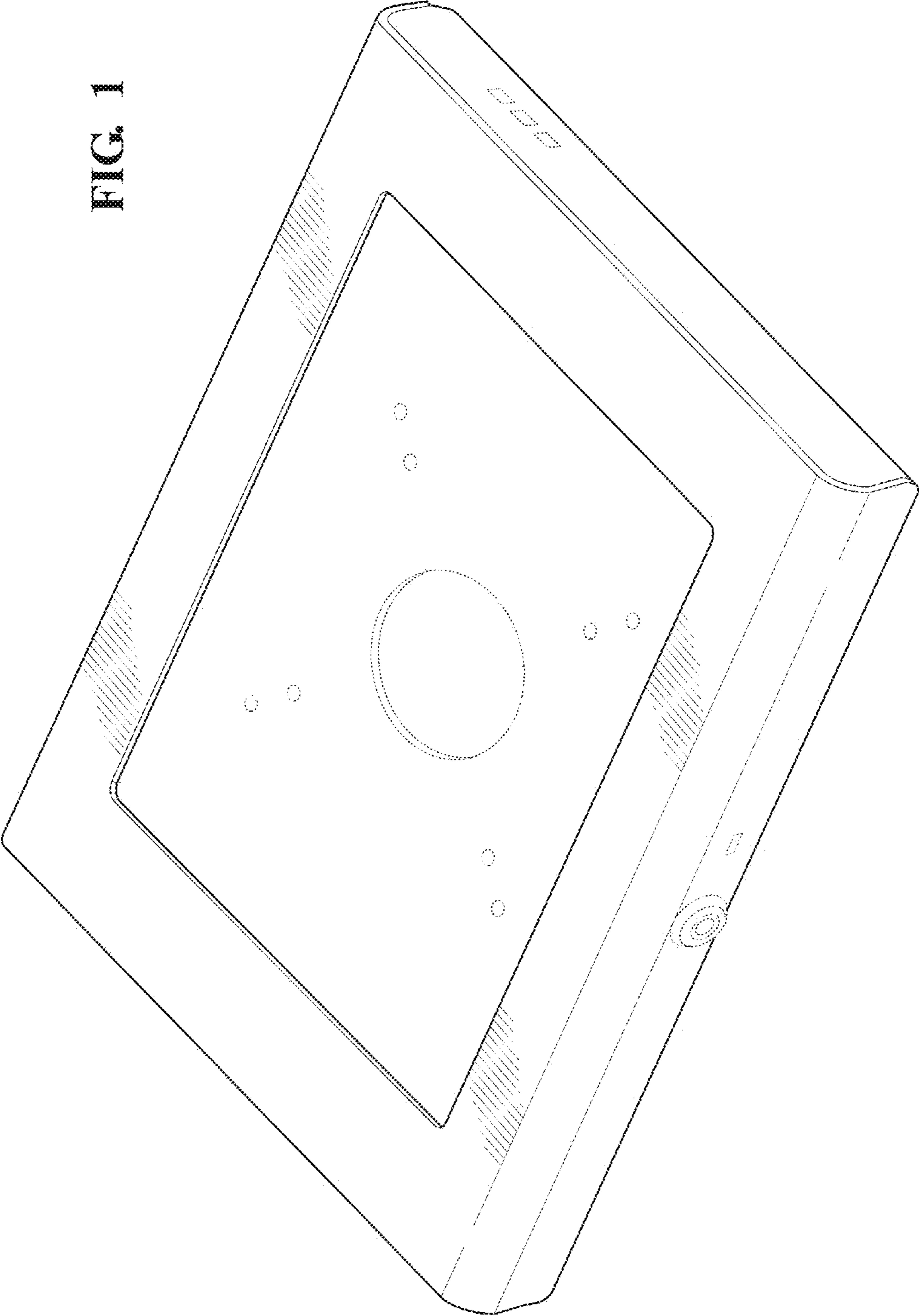
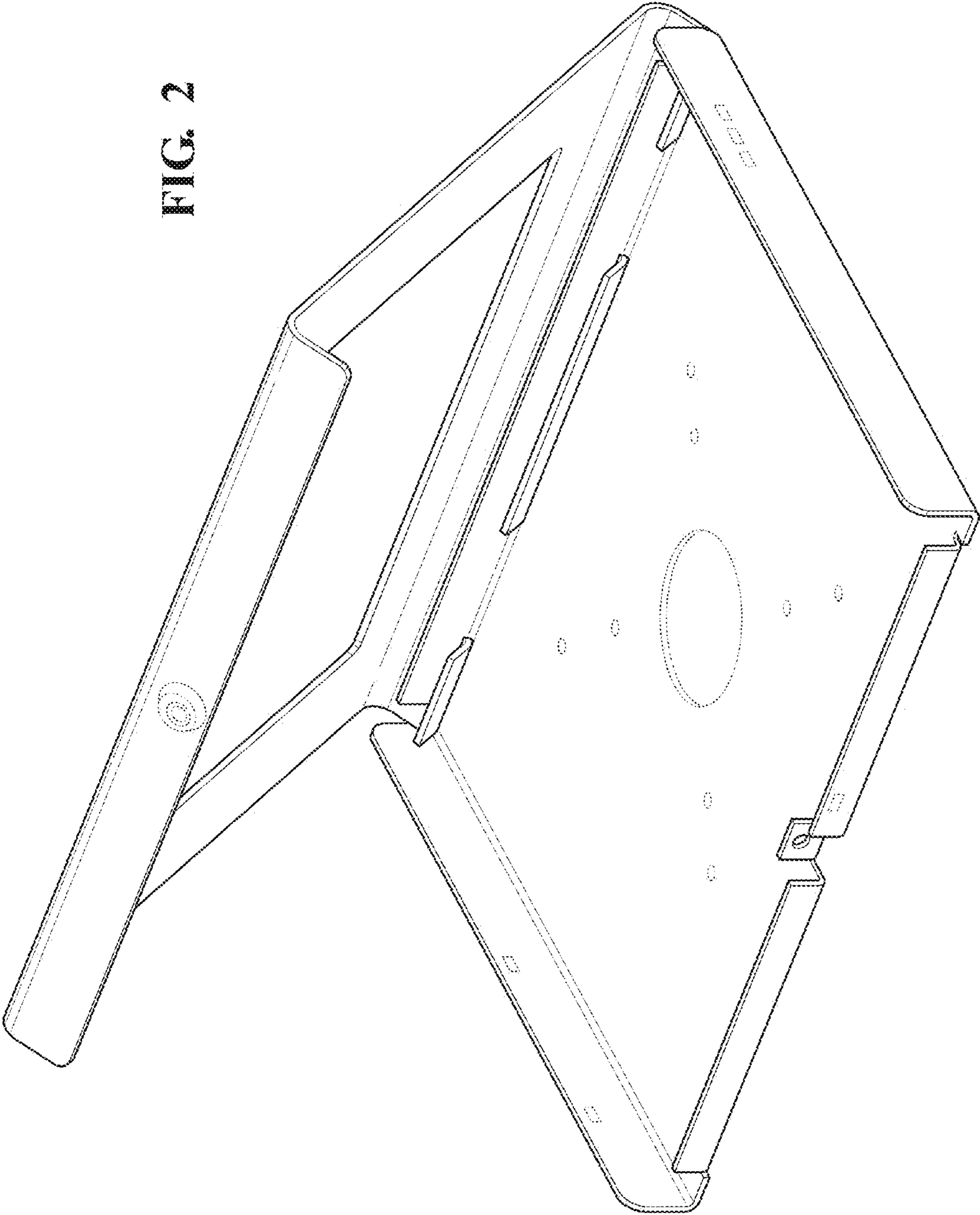




FIG. 2



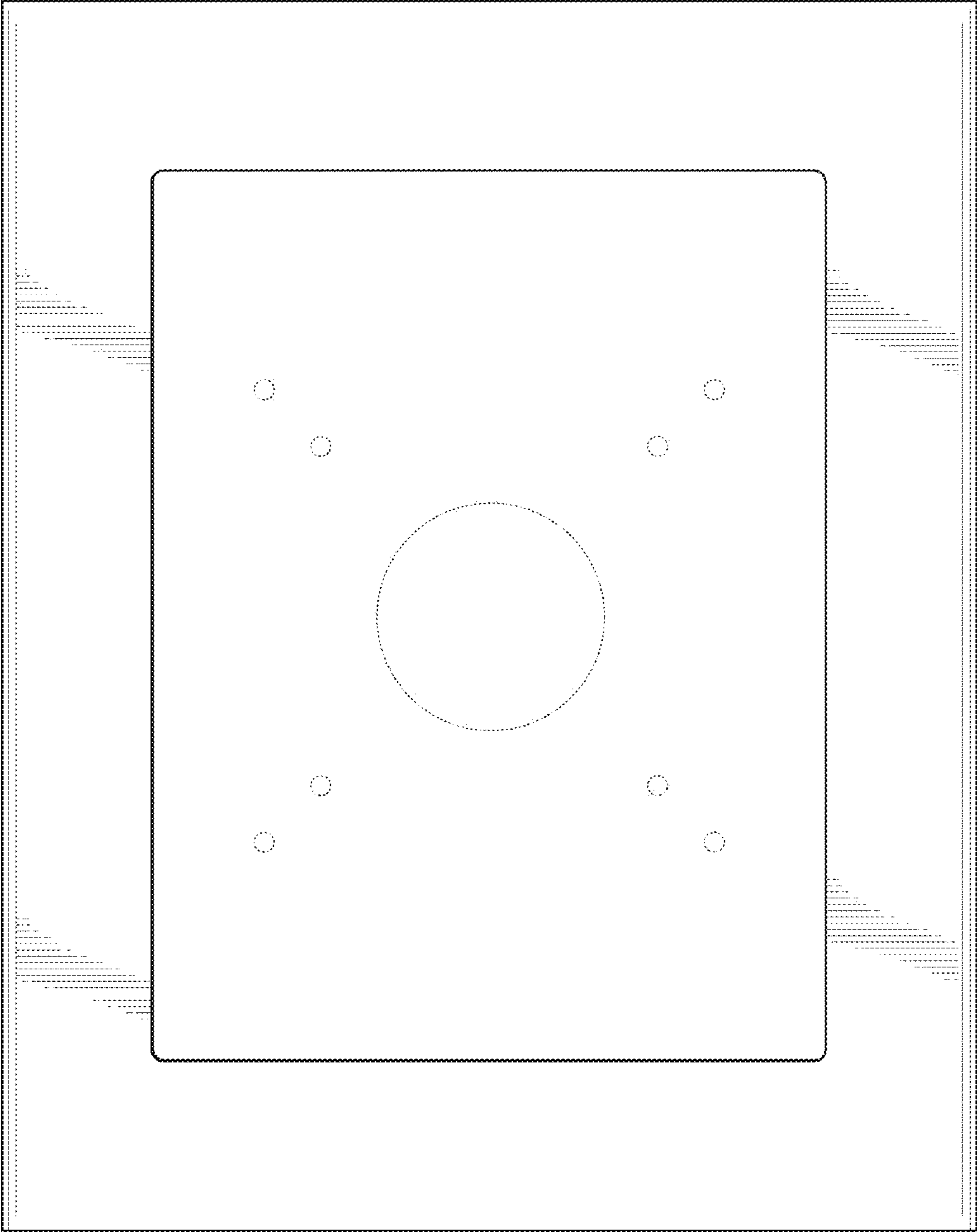


FIG. 3

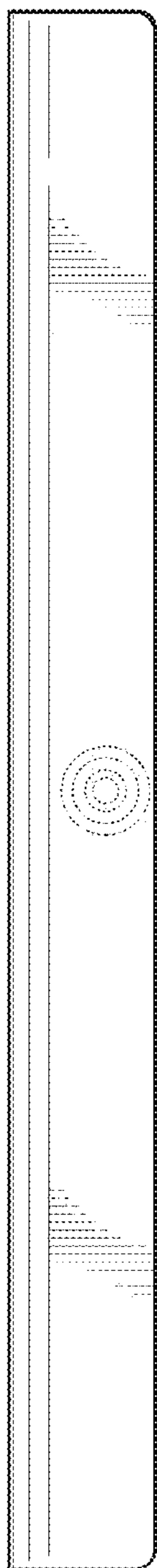


FIG. 4

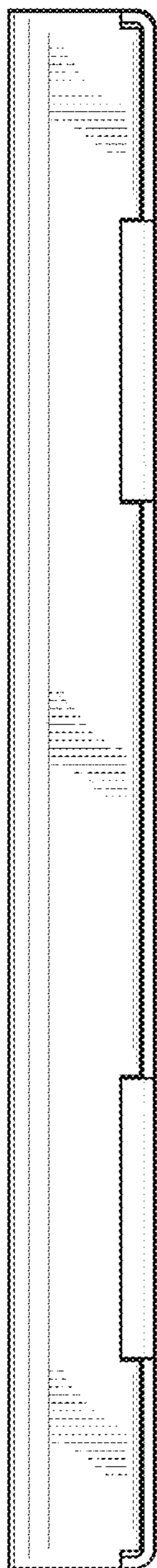


FIG. 5

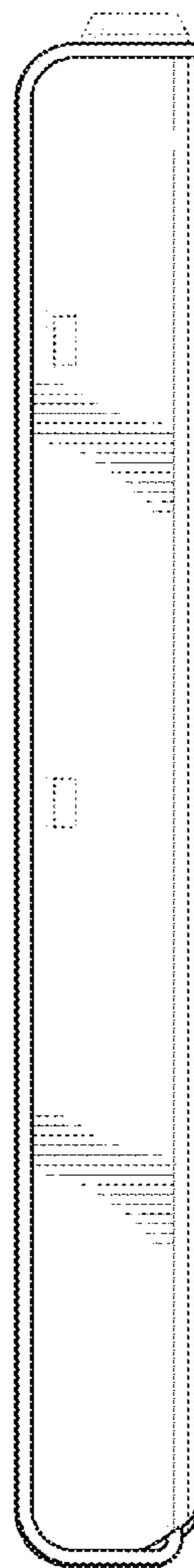


FIG. 6

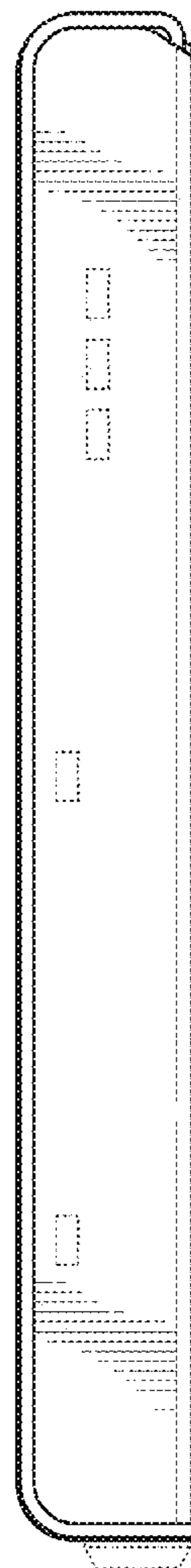


FIG. 7

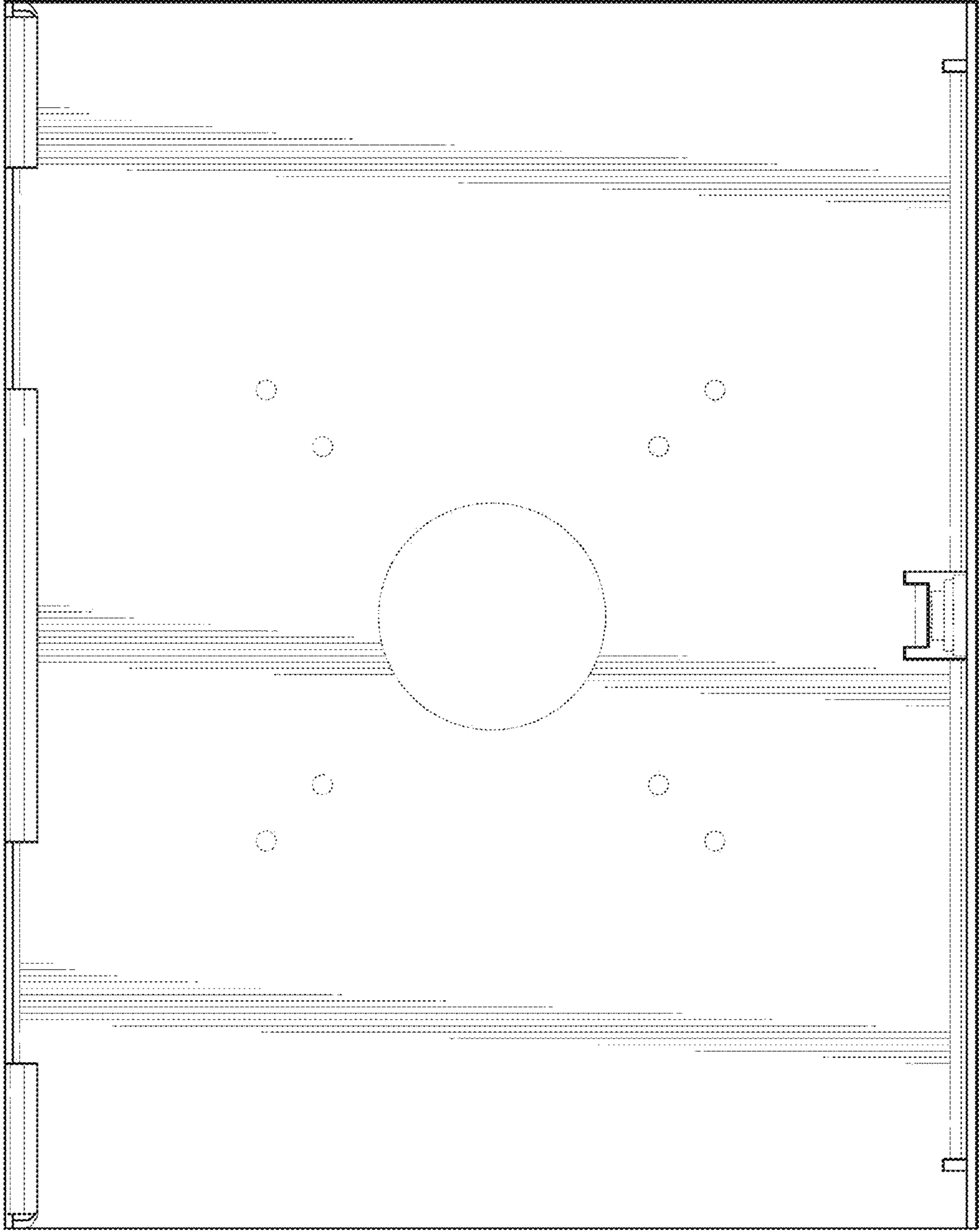


FIG. 8

FIG. 9

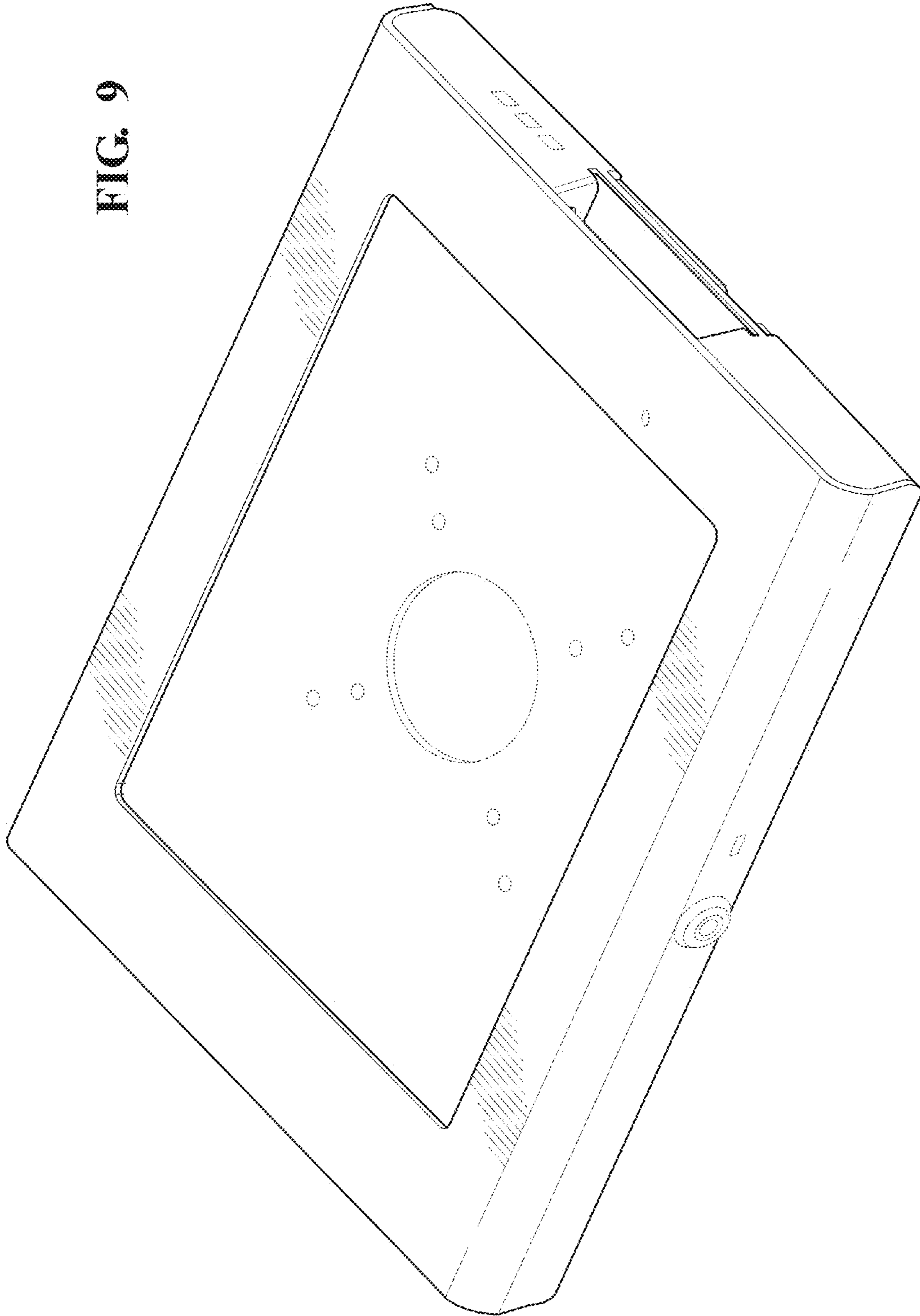
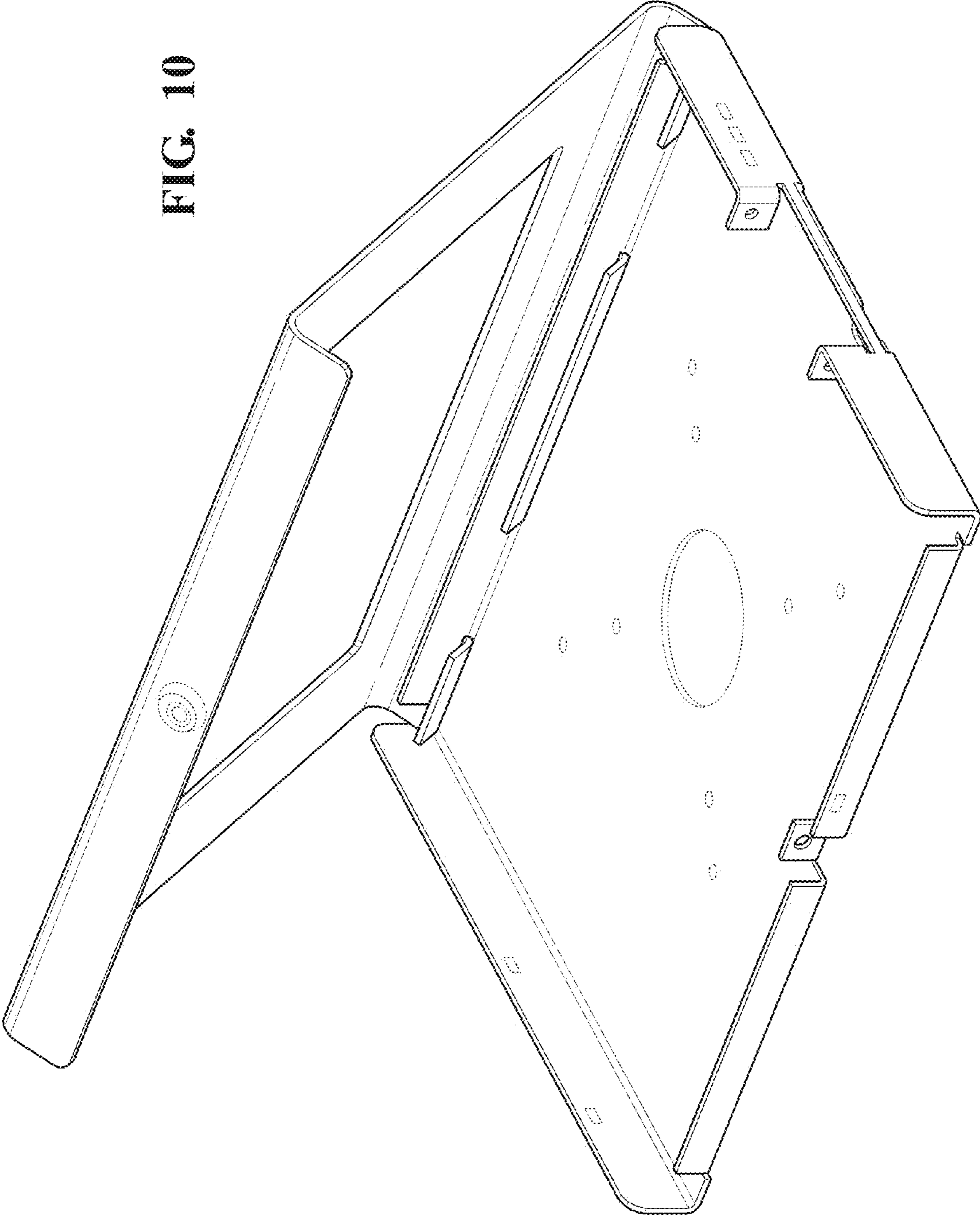




FIG. 10



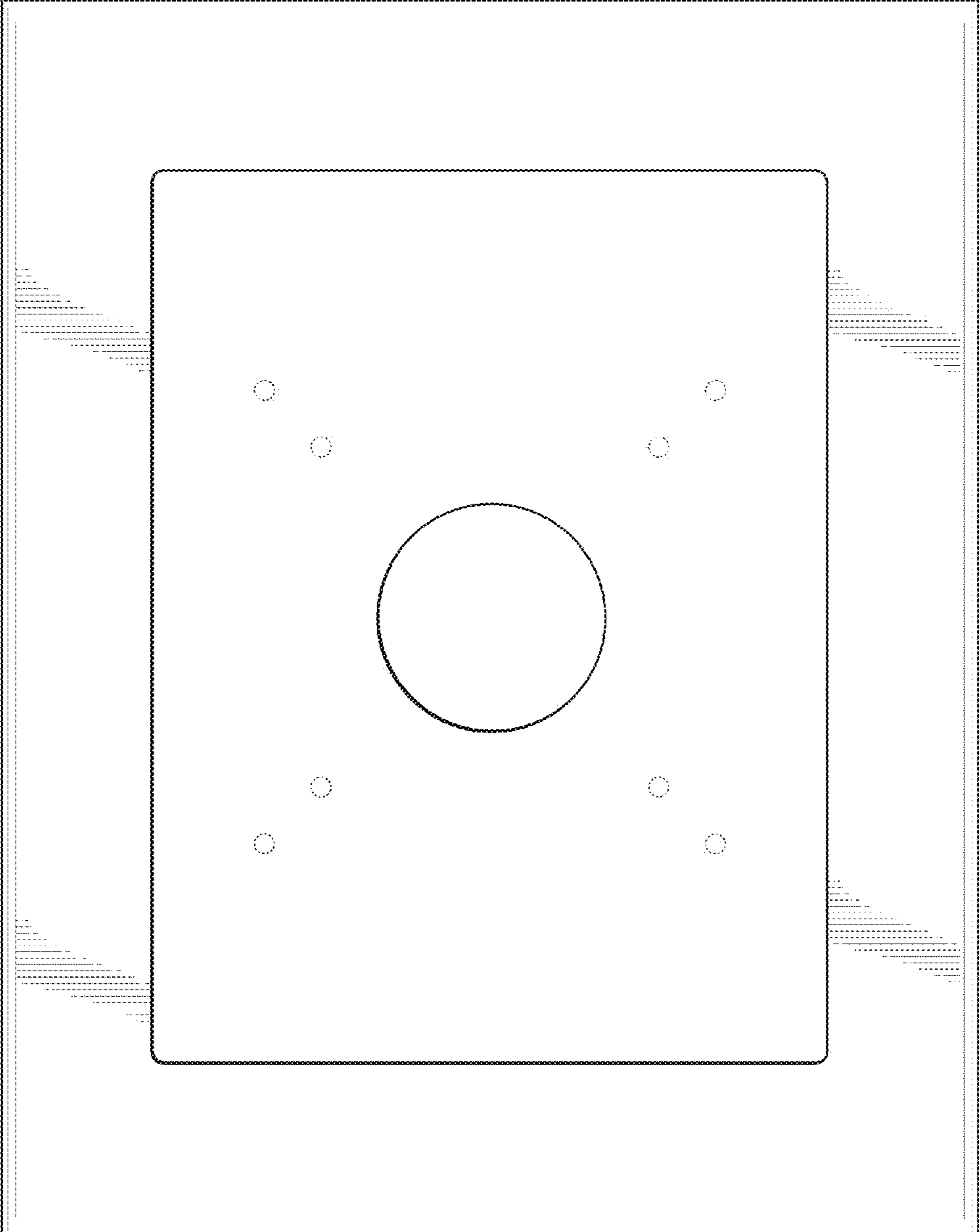


FIG. 11

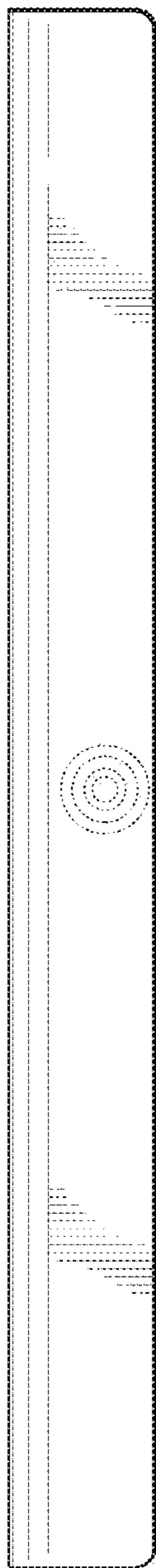


FIG. 12

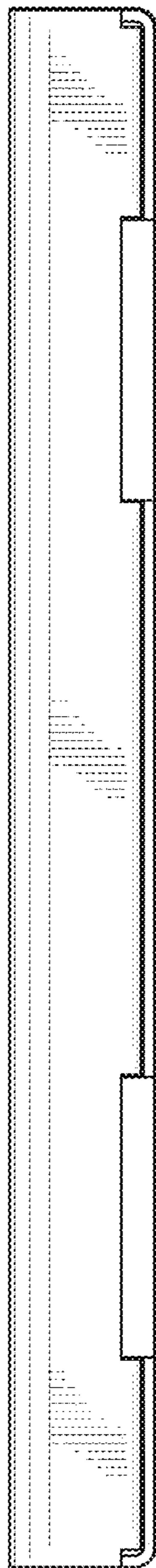


FIG. 13

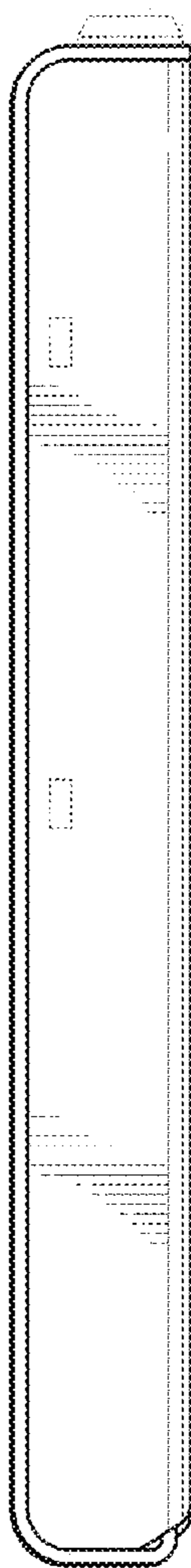


FIG. 14

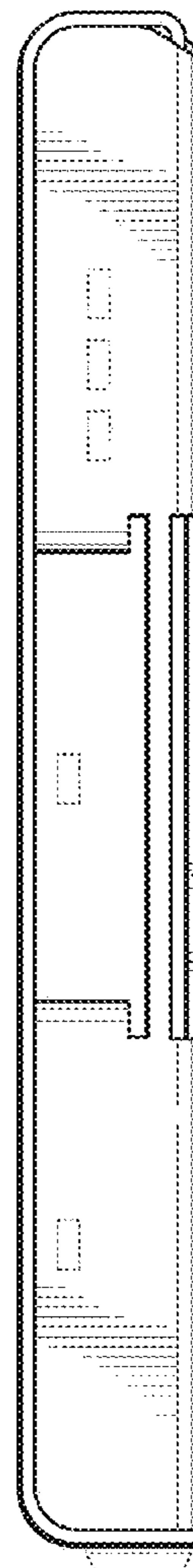


FIG. 15

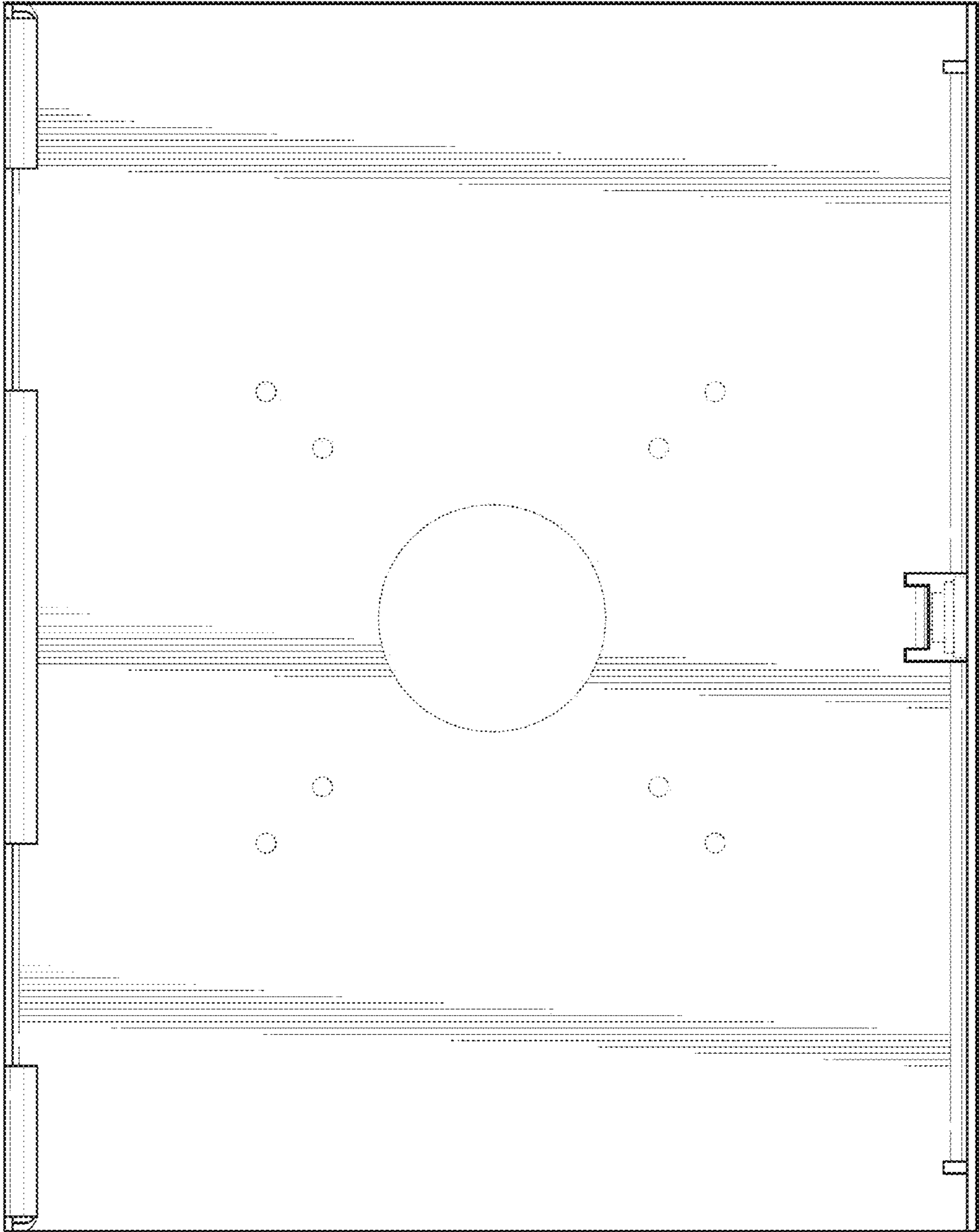


FIG. 16



UNITED STATES PATENT AND TRADEMARK OFFICE  
**CERTIFICATE OF CORRECTION**

PATENT NO. : D676,448 S  
APPLICATION NO. : 29/399786  
DATED : February 19, 2013  
INVENTOR(S) : Gorman et al.

Page 1 of 11

It is certified that error appears in the above-identified patent and that said Letters Patent is hereby corrected as shown below:

On the title page, illustrative figures 1 & 10 should be substituted with FIGS. 1 & 10 on the attached replacement drawing sheets 1-10.

Signed and Sealed this  
Twenty-first Day of May, 2013



Teresa Stanek Rea  
*Acting Director of the United States Patent and Trademark Office*

FIG. 1

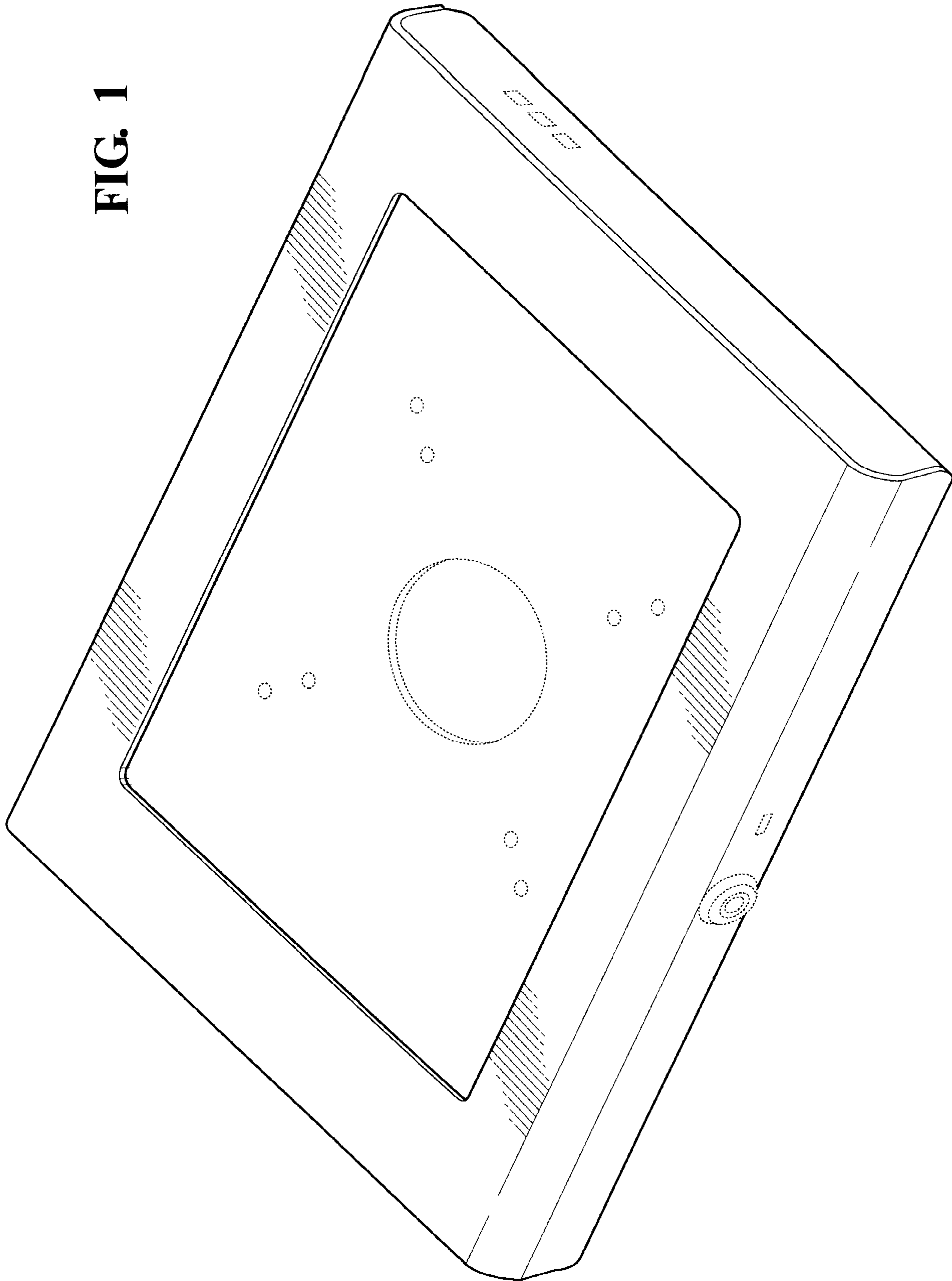
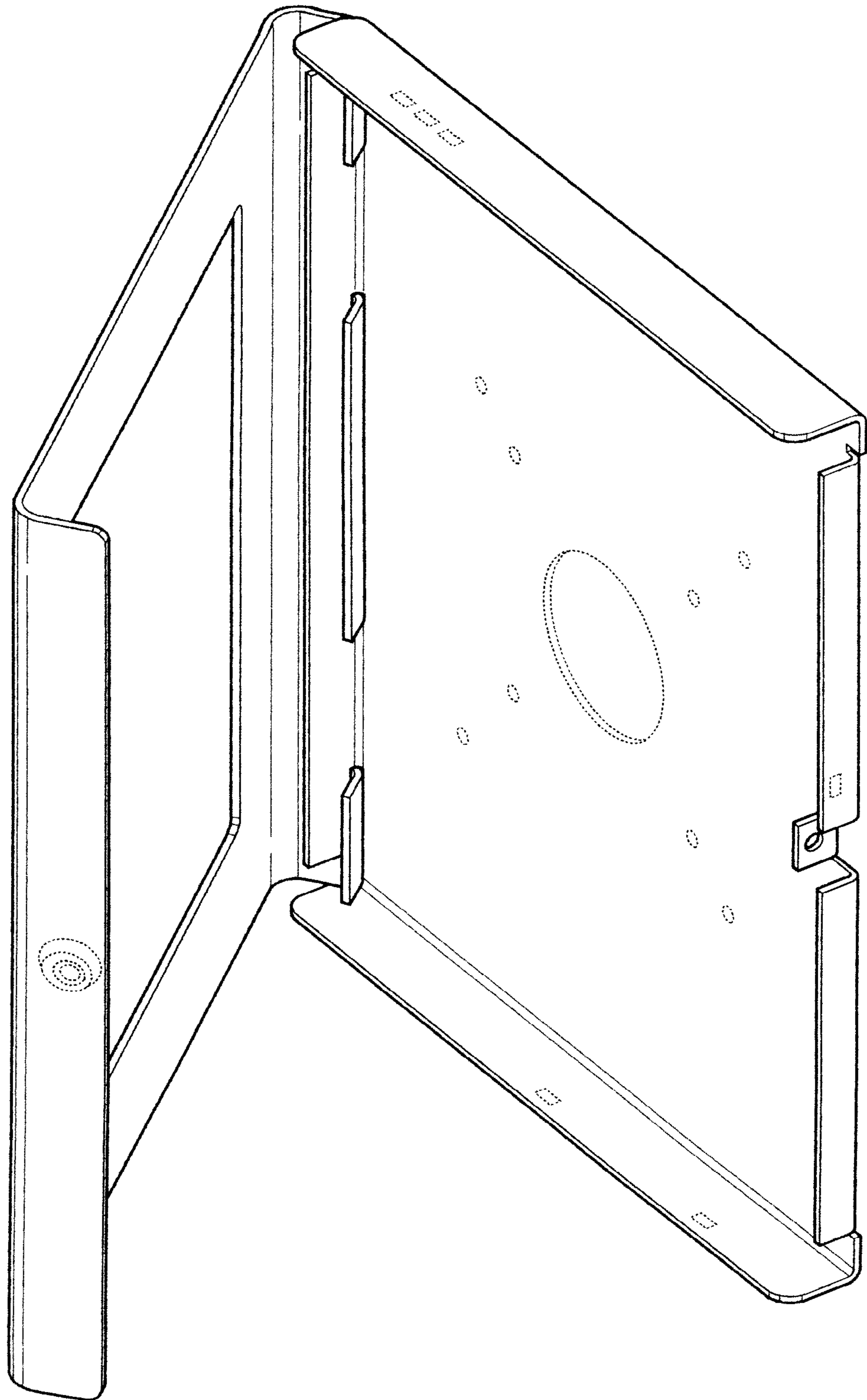


FIG. 2



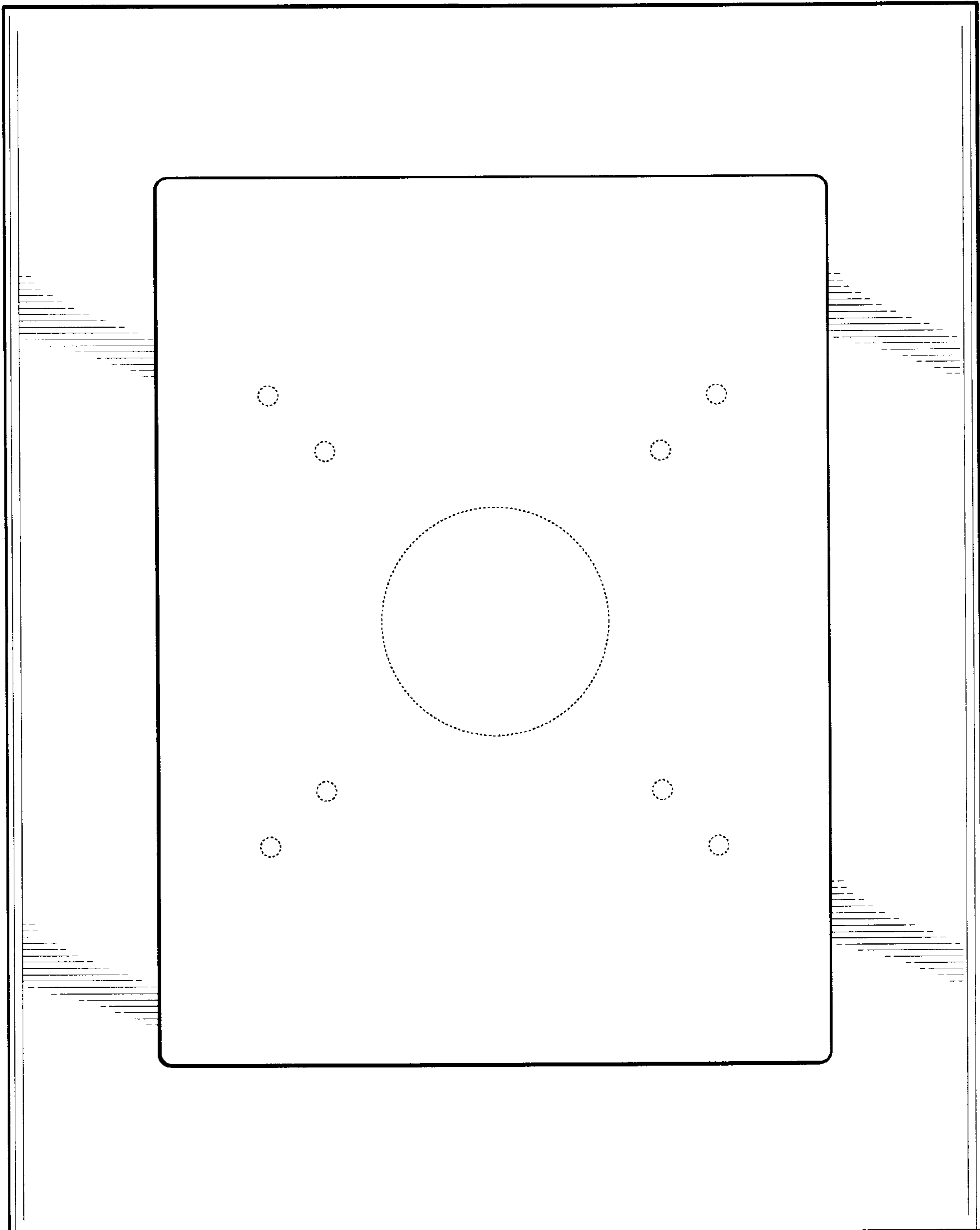


FIG. 3



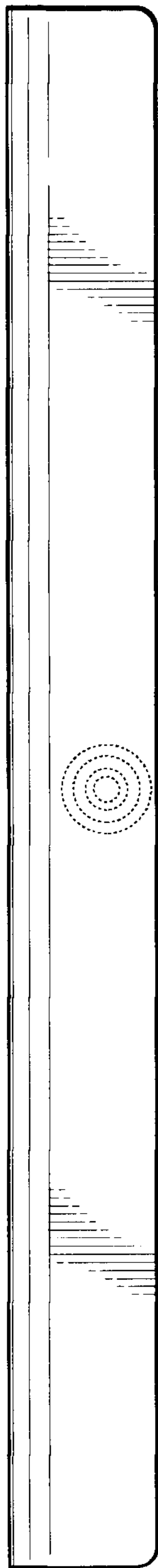


FIG. 4

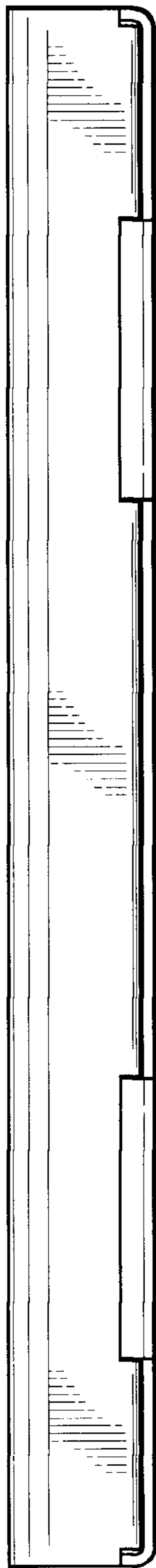


FIG. 5

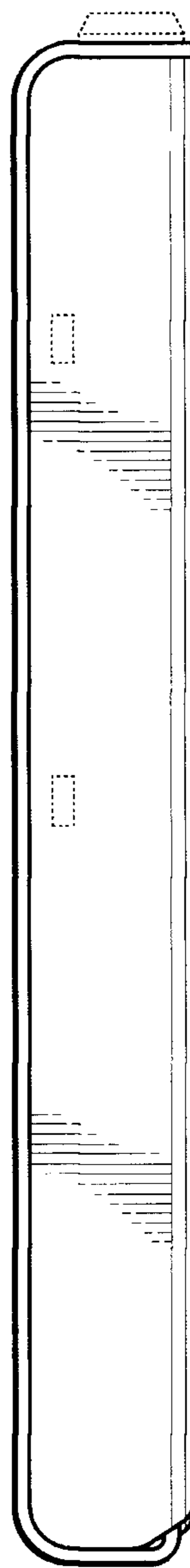


FIG. 6

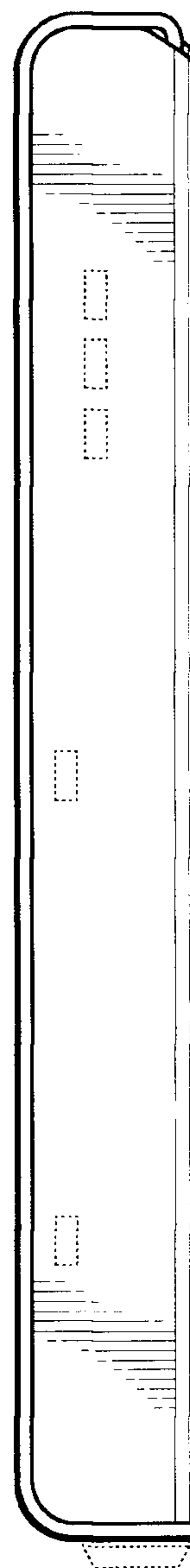


FIG. 7

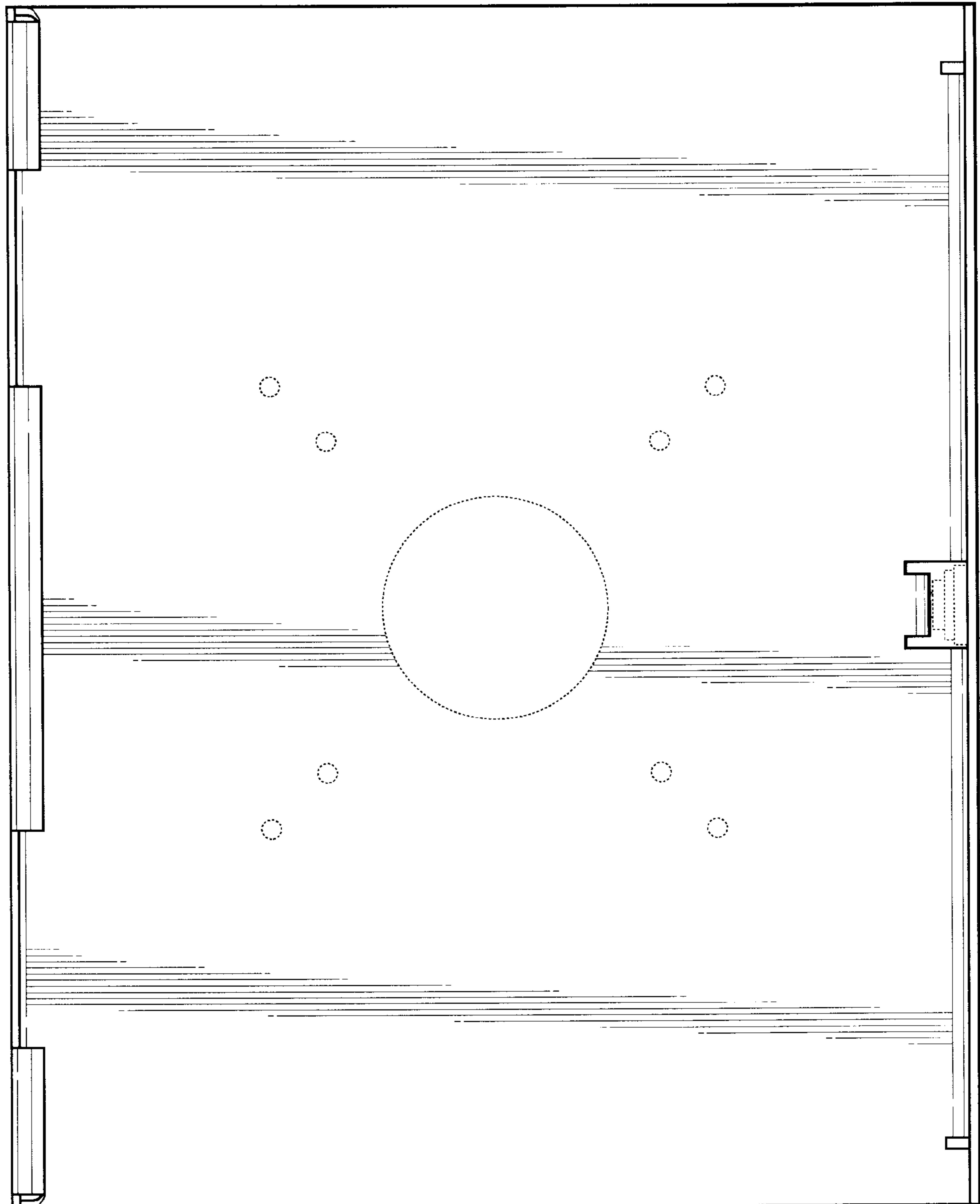


FIG. 8

FIG. 9

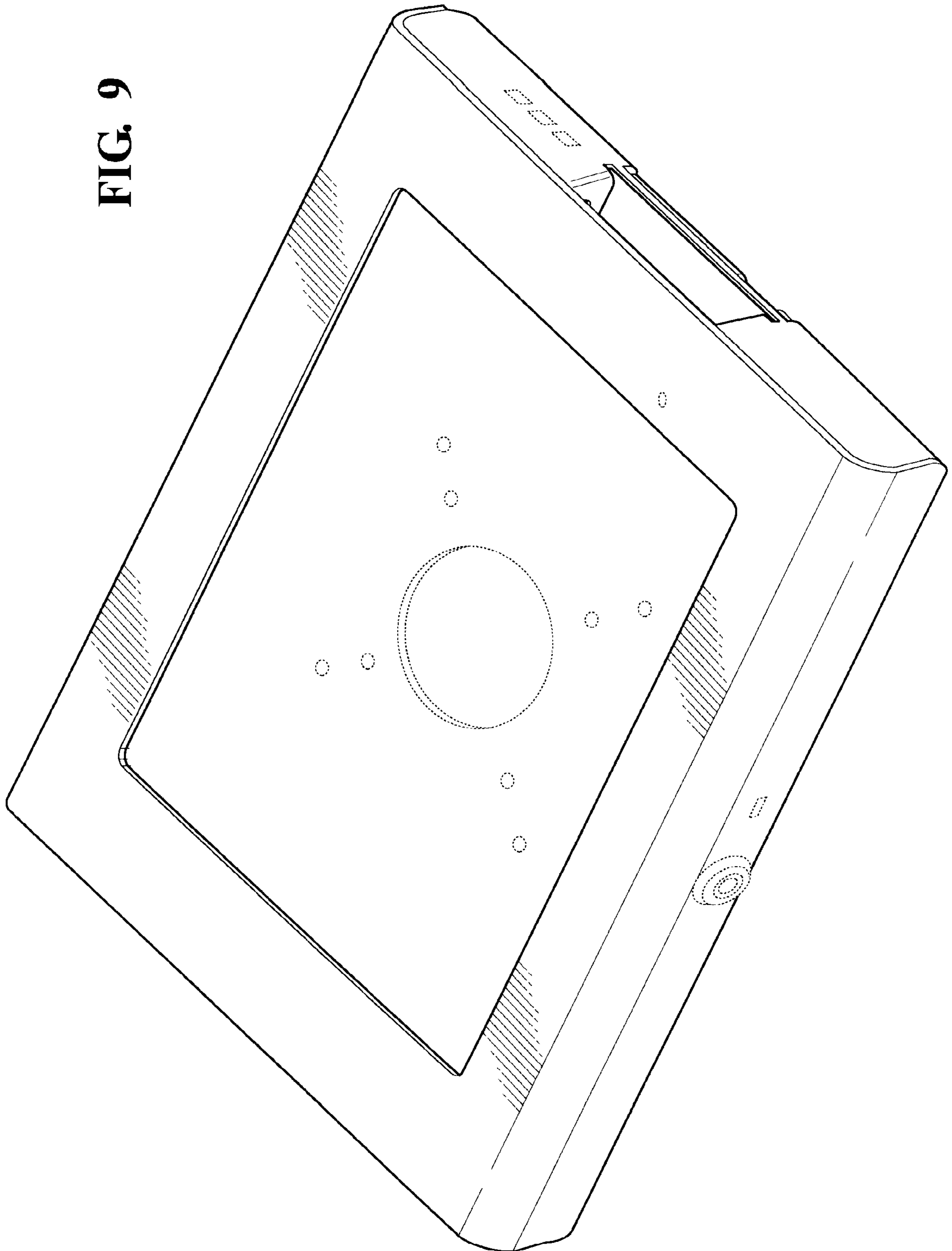
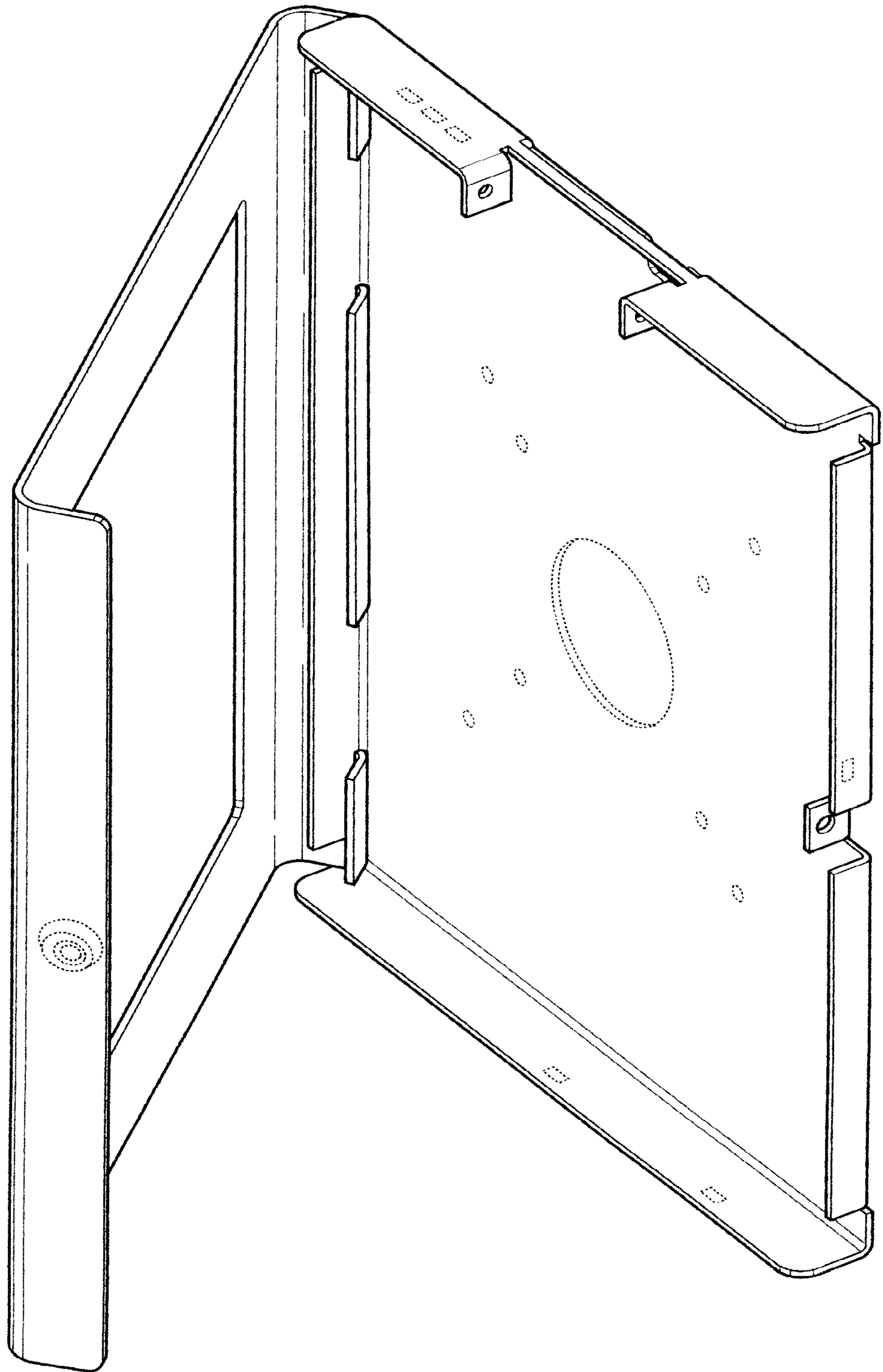


FIG. 10





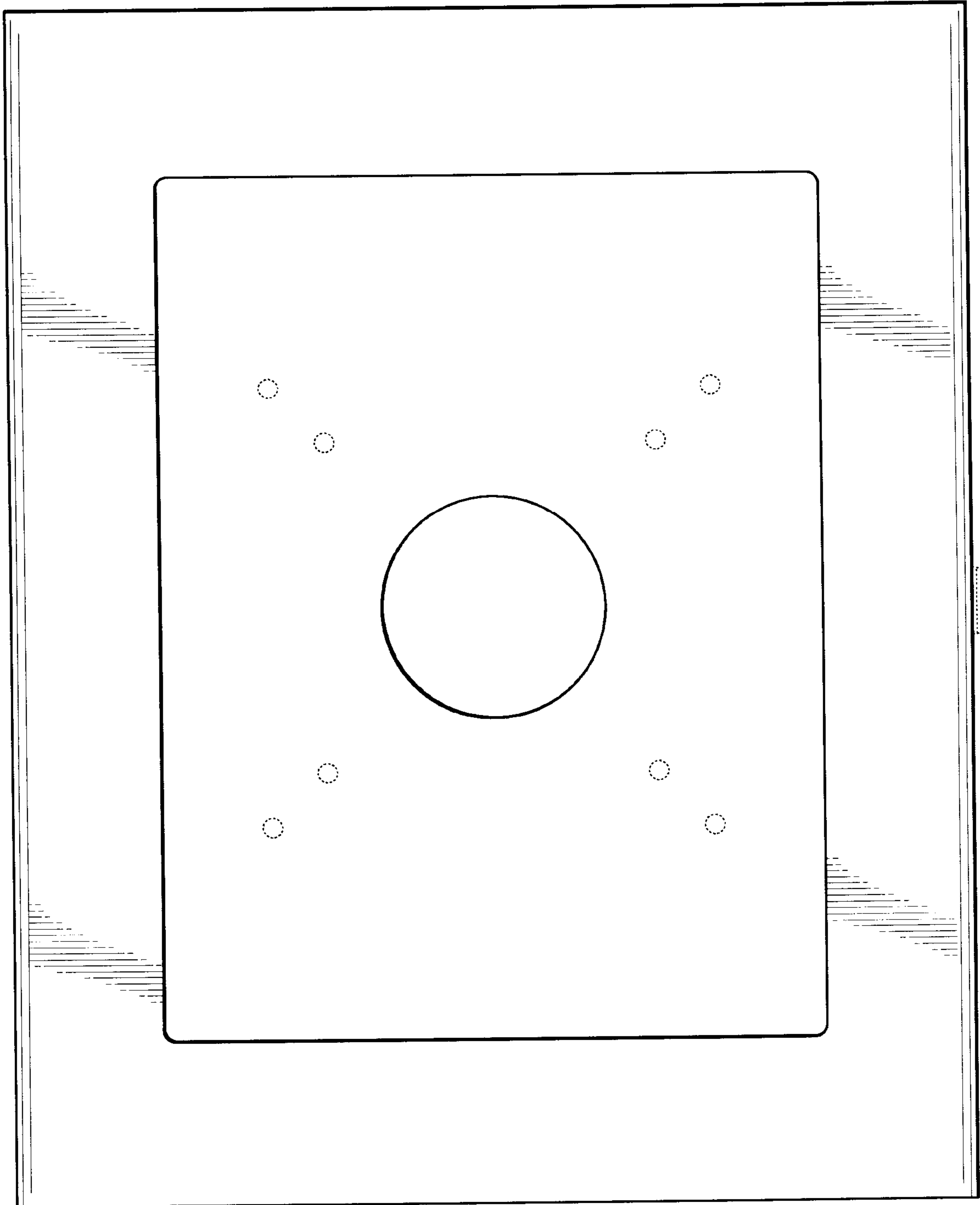


FIG. 11

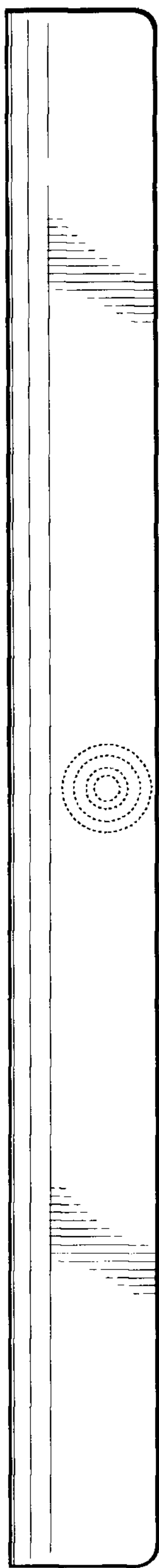


FIG. 12

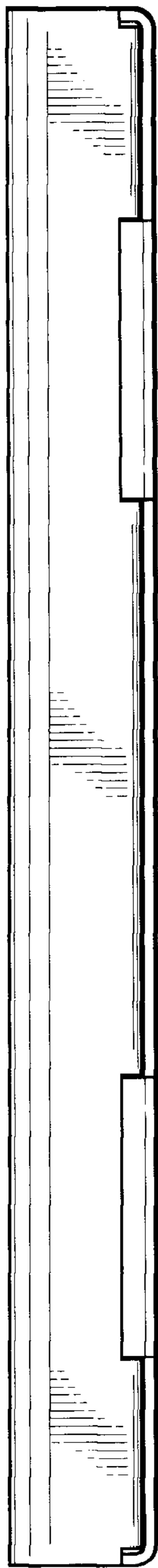


FIG. 13

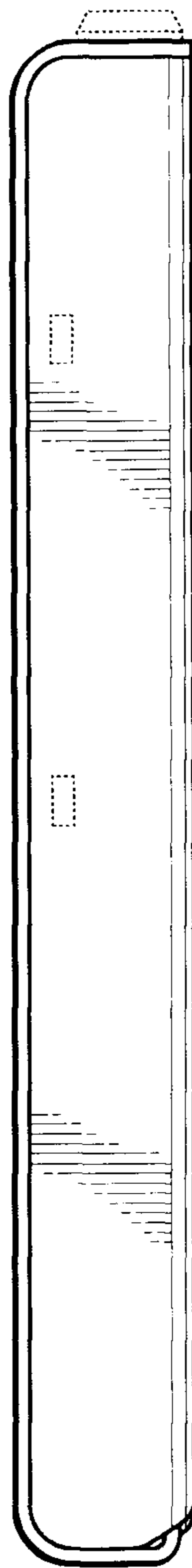


FIG. 14

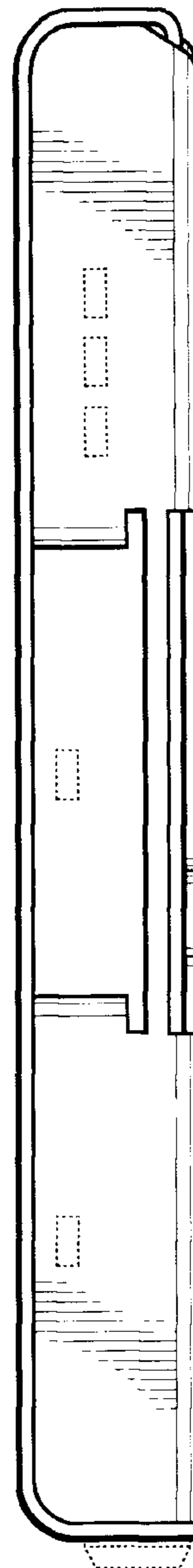


FIG. 15

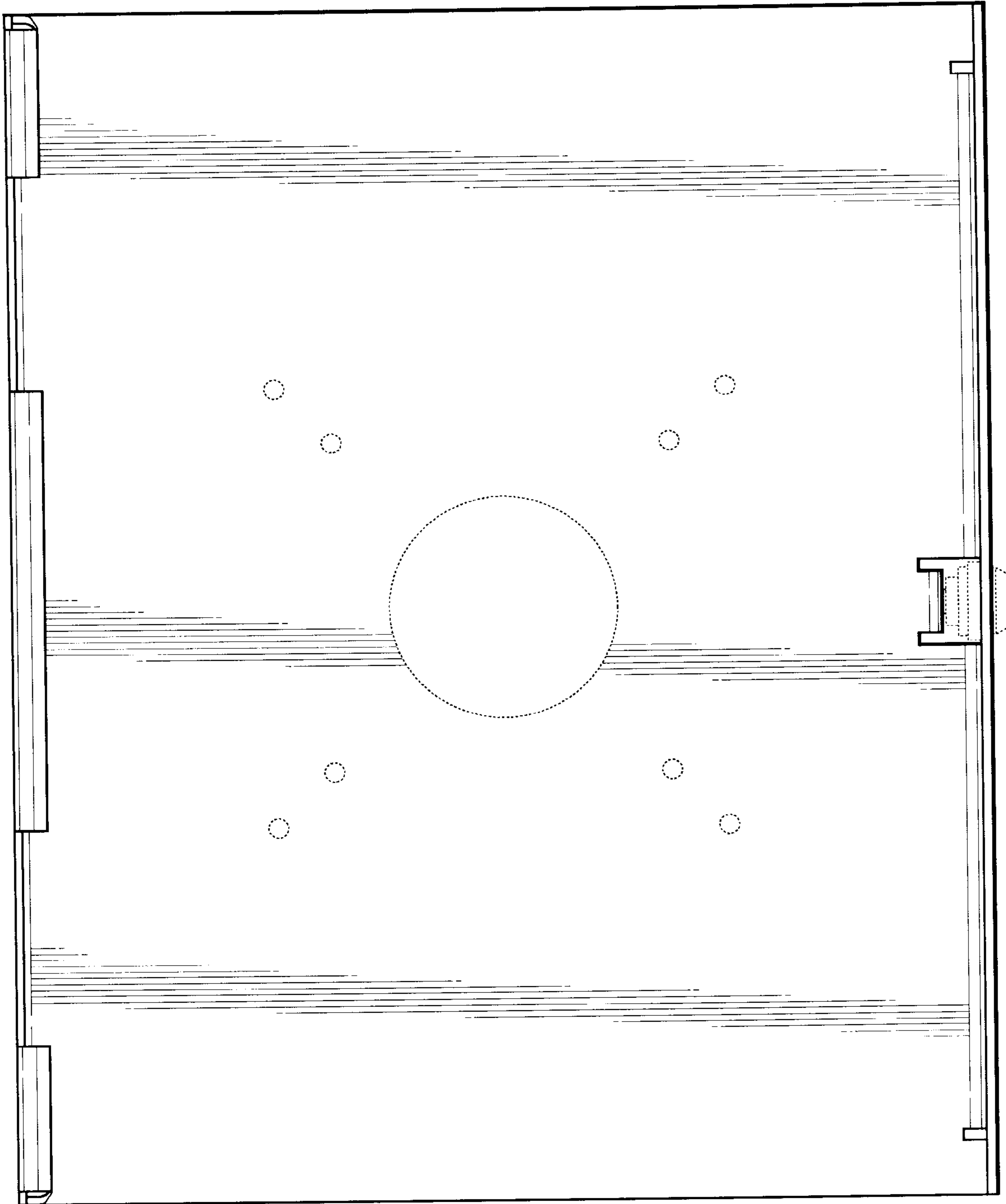


FIG. 16