



US00D676439S

(12) **United States Design Patent**  
**Takuma et al.**

(10) **Patent No.:** **US D676,439 S**  
(45) **Date of Patent:** **\*\* Feb. 19, 2013**

(54) **COMPUTER**

(75) Inventors: **Tomoaki Takuma**, Tokyo (JP); **Soichi Tanama**, Tokyo (JP)

(73) Assignee: **Sony Corporation**, Tokyo (JP)

(\*\*) Term: **14 Years**

(21) Appl. No.: **29/347,887**

(22) Filed: **Jul. 12, 2010**

**Related U.S. Application Data**

(63) Continuation-in-part of application No. 29/311,706, filed on Jun. 1, 2009, now Pat. No. Des. 619,575.

(30) **Foreign Application Priority Data**

Dec. 3, 2008 (JP) ..... D2008-030987  
Dec. 26, 2008 (JP) ..... D2008-033284  
Dec. 26, 2008 (JP) ..... D2008-033287

(51) **LOC (9) Cl.** ..... **14-02**

(52) **U.S. Cl.** ..... **D14/327; D14/456**

(58) **Field of Classification Search** ..... D14/315-328,  
D14/341-345, 455, 456, 247; D18/1, 2,  
D18/7, 11; 235/145 A, 145 R; 341/22, 23;  
400/486-491, 493.1, 494; 345/156, 168,  
345/169, 173, 901-905; 361/679.09-679.18,  
361/679.27; 200/341, 329

See application file for complete search history.

(56) **References Cited**

**U.S. PATENT DOCUMENTS**

1,333,015 A \* 3/1920 Freile ..... 200/329  
1,456,637 A \* 5/1923 Kurowski ..... 400/493.1  
1,537,767 A \* 5/1925 Greene ..... 400/493.1  
D343,832 S 2/1994 Haraga et al.  
5,287,089 A \* 2/1994 Parsons ..... 345/156  
5,355,148 A \* 10/1994 Anderson ..... 345/166  
D360,407 S 7/1995 Collas et al.  
D363,472 S \* 10/1995 Krakower et al. .... D14/417  
D378,087 S \* 2/1997 Miei et al. .... D14/392  
5,973,622 A \* 10/1999 Chiang ..... 341/22  
5,973,704 A \* 10/1999 Nishiumi et al. .... 345/475  
D422,569 S 4/2000 Ogasawara  
6,067,224 A 5/2000 Nobuchi  
D473,564 S 4/2003 Yano

D485,555 S 1/2004 Yoneda  
D488,151 S \* 4/2004 Pitt et al. .... D14/247  
D510,737 S 10/2005 Yokota  
D534,531 S 1/2007 Ogasawara  
D554,644 S 11/2007 Ogasawara  
D556,192 S 11/2007 Jeong et al.  
D559,245 S 1/2008 Iseki  
D567,813 S 4/2008 Ohno  
D570,343 S 6/2008 Yamada  
D570,344 S 6/2008 Isonaga  
D577,012 S 9/2008 Gralowski et al.  
D577,013 S 9/2008 Harris et al.  
D578,125 S 10/2008 Iseki  
D578,525 S 10/2008 Yoon  
D598,442 S 8/2009 Wang  
7,671,837 B2 \* 3/2010 Forsblad et al. .... 345/156  
D619,575 S 7/2010 Takuma  
7,795,553 B2 \* 9/2010 Weber et al. .... 200/341  
2005/0041378 A1 2/2005 Hamada et al.  
2008/0264767 A1 \* 10/2008 Chen et al. .... 200/333

\* cited by examiner

*Primary Examiner* — Freda S Nunn

(74) *Attorney, Agent, or Firm* — Rader, Fishman & Grauer PLLC

**CLAIM**

(57) The ornamental design for a computer, as shown and described.

**DESCRIPTION**

FIG. 1 is a perspective view of a first embodiment of a computer showing our new design; and  
FIG. 2 is a top plan view thereof.  
FIG. 3 is a perspective view of a second embodiment of a computer showing our new design; and  
FIG. 4 is a top plan view thereof;  
FIG. 5 is a perspective view of a third embodiment of a computer showing our new design; and  
FIG. 6 is a top plan view thereof;  
FIG. 7 is an enlarged top plan view along the lines 7-7 and 7'-7' of FIG. 2;  
FIG. 8 is an enlarged top plan view along the lines 8-8 and 8'-8' of FIG. 4;  
FIG. 9 is an enlarged top plan view along the lines 9-9 and 9'-9' of FIG. 6; and,  
FIG. 10 is an enlarged perspective view along the lines 10-10 and 10'-10' of FIG. 7.  
Portions in broken lines are for illustrative purposes only and form no part of the claimed design.

**1 Claim, 10 Drawing Sheets**

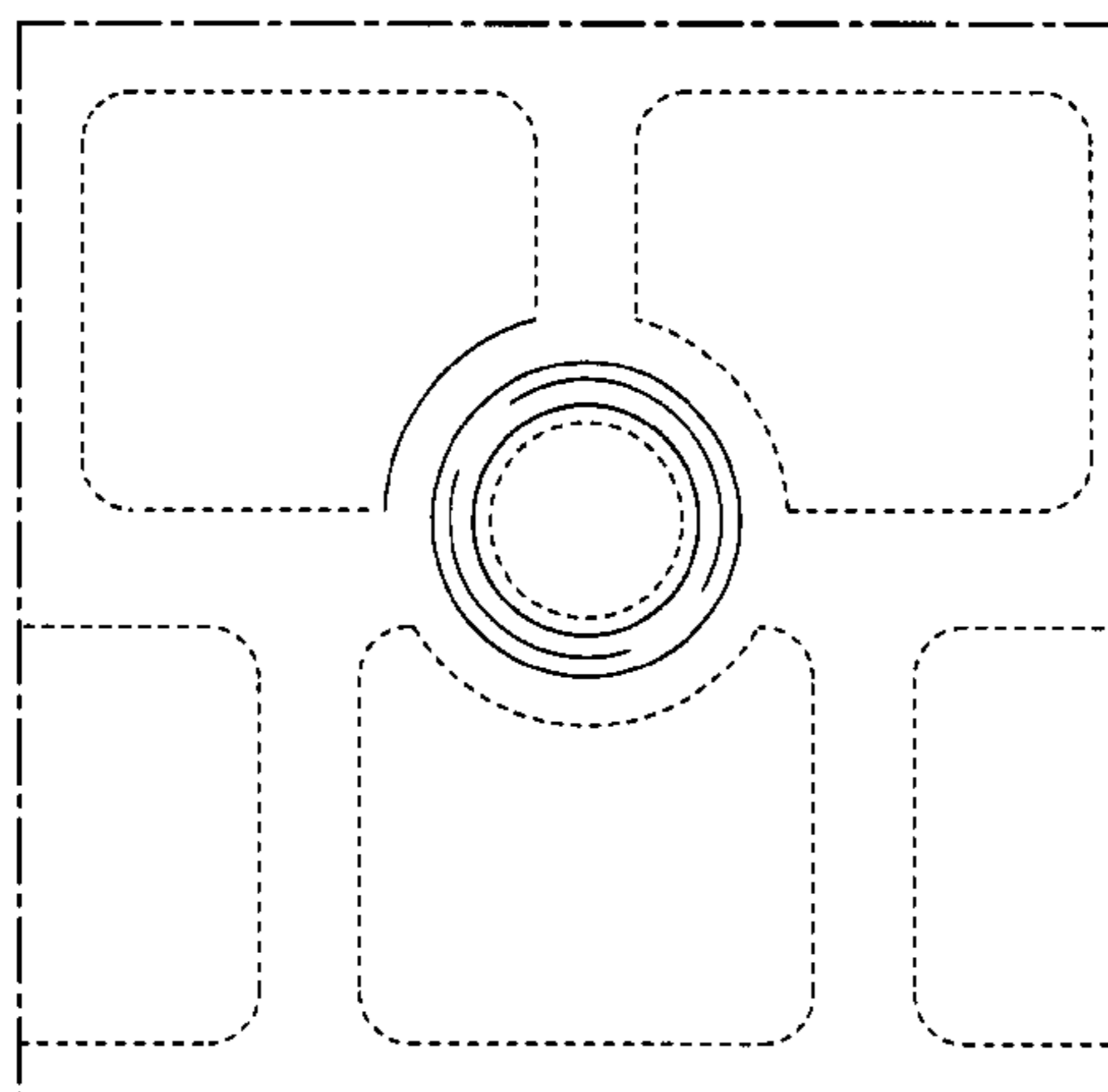


FIG.1

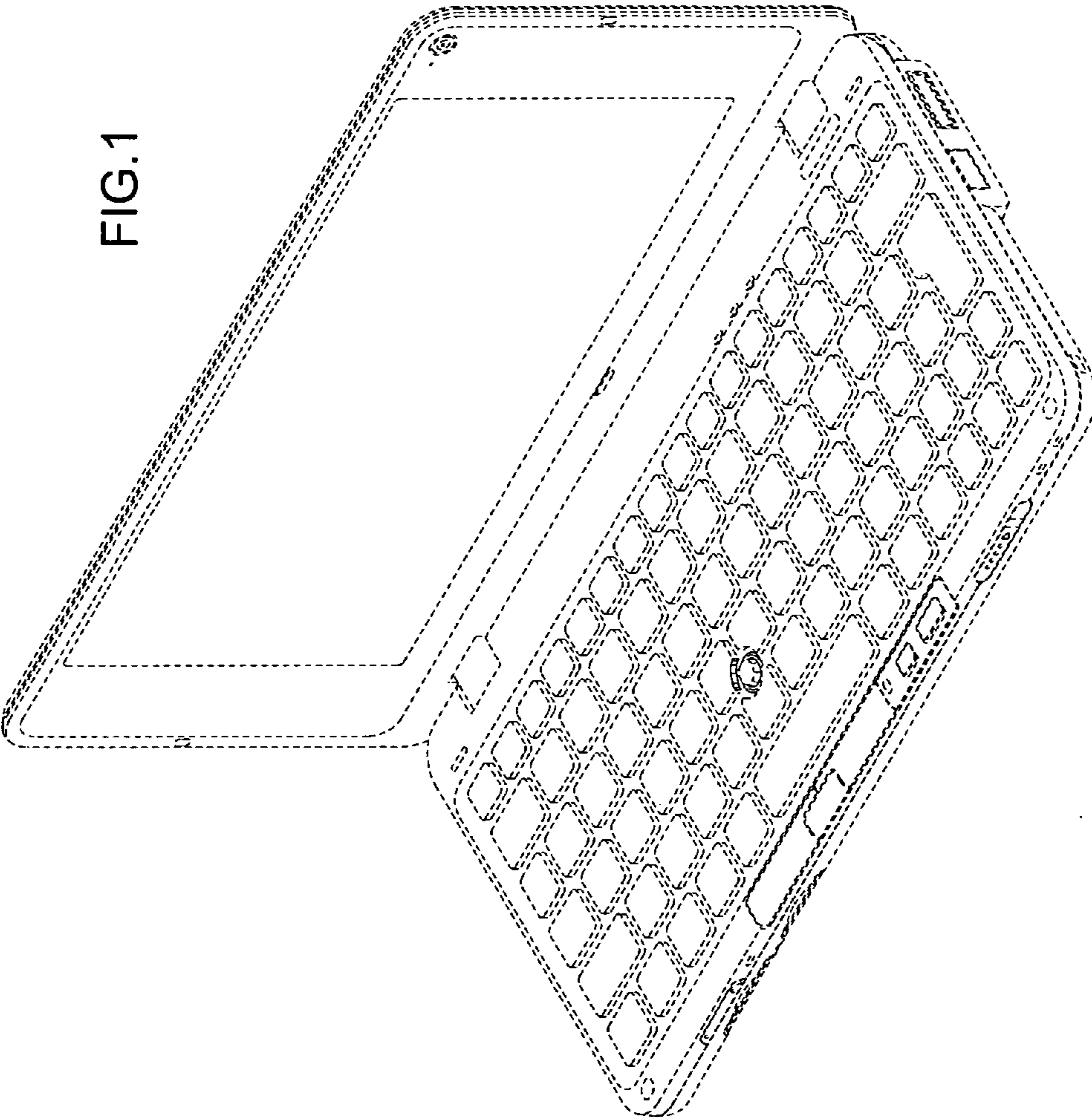


FIG.2

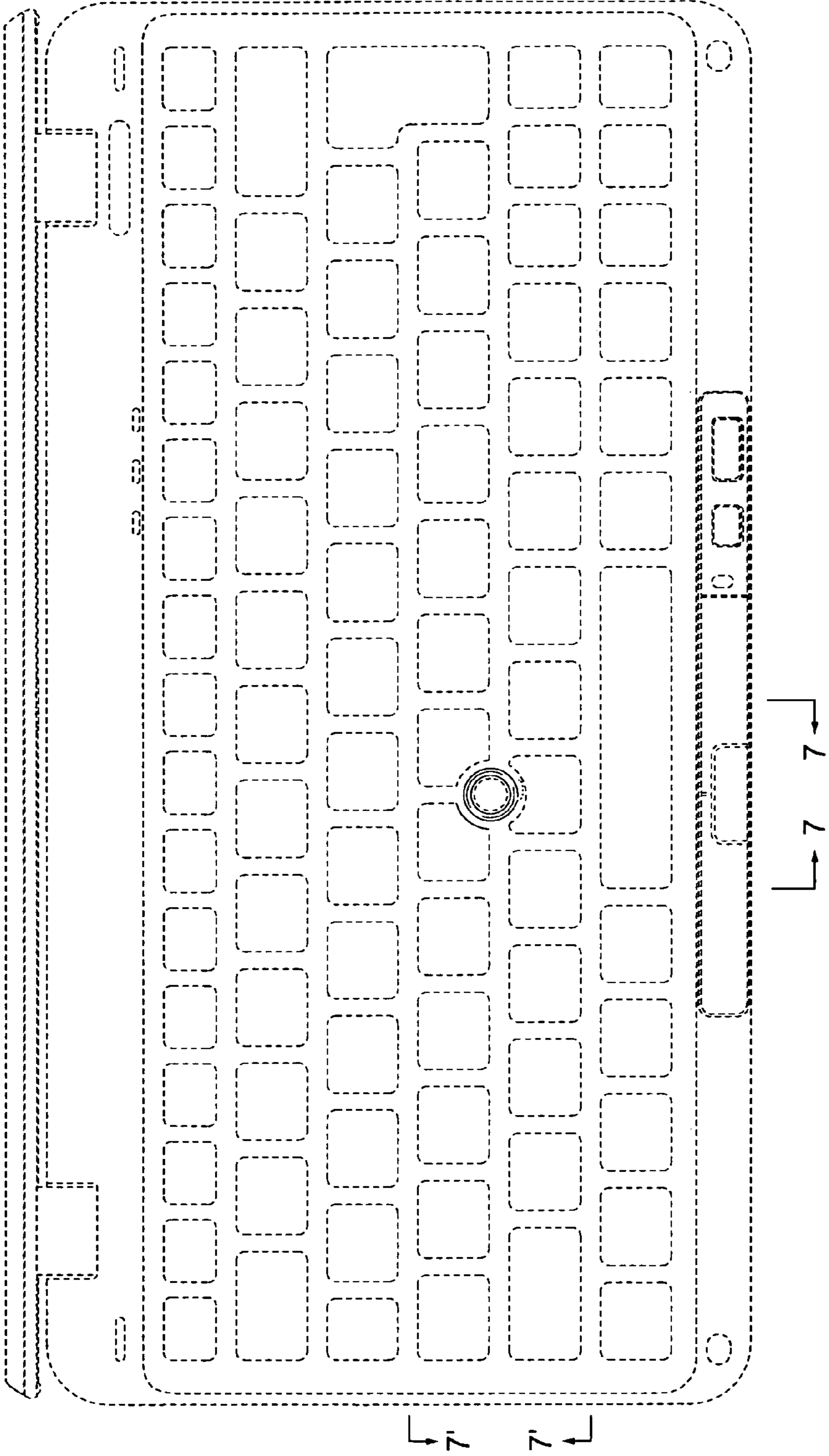


FIG.3

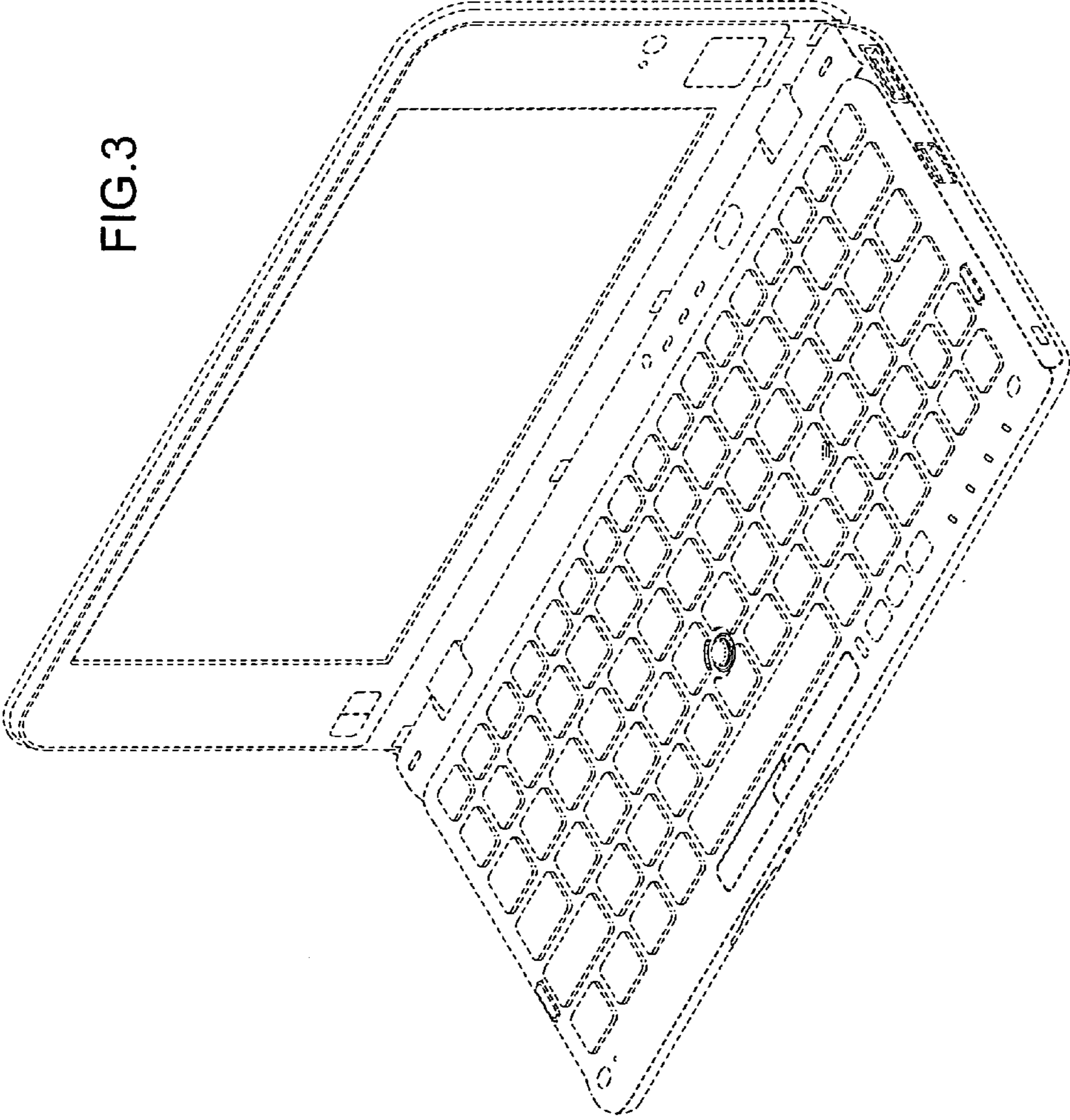
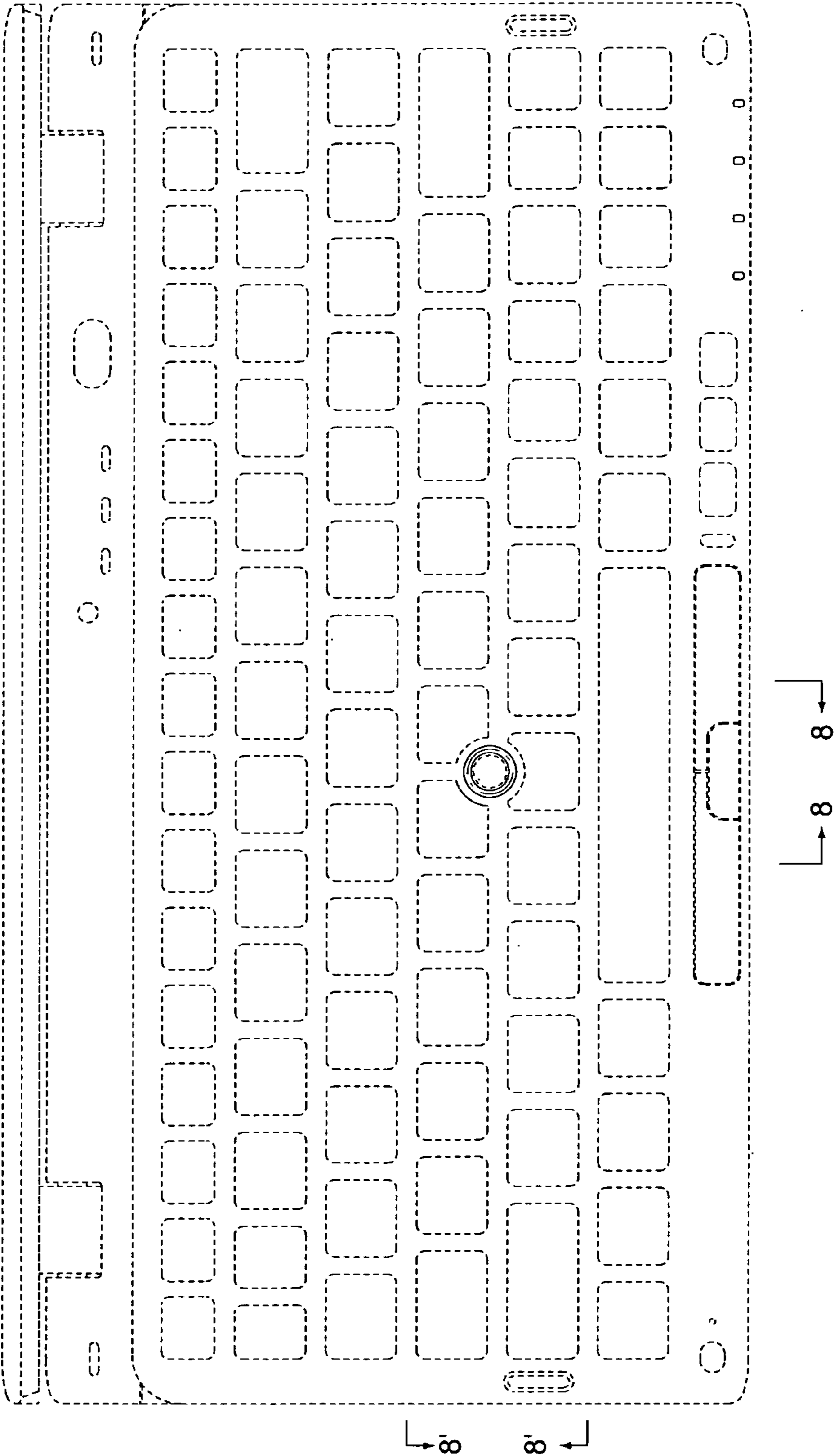


FIG.4



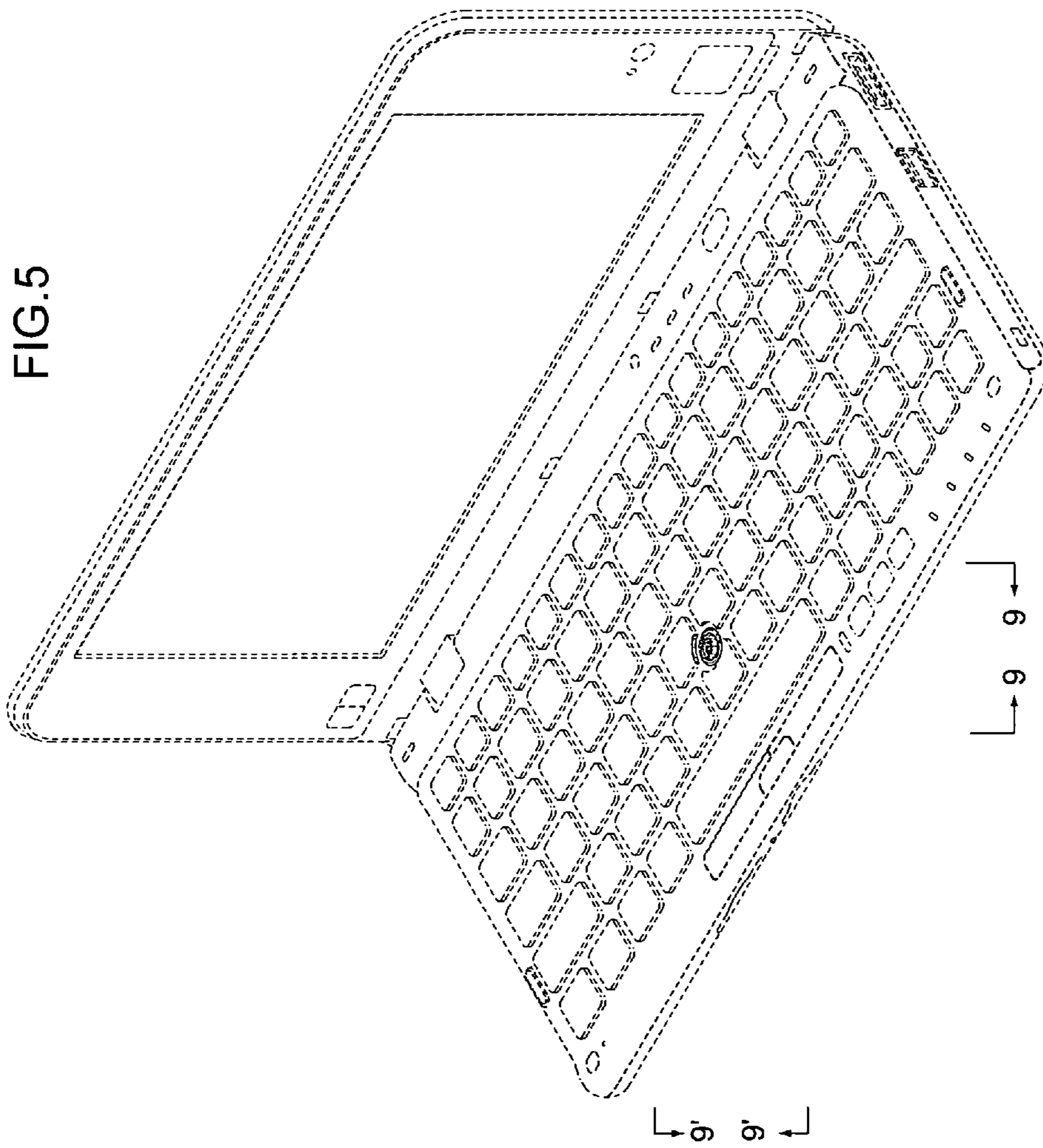


FIG. 5

FIG.6

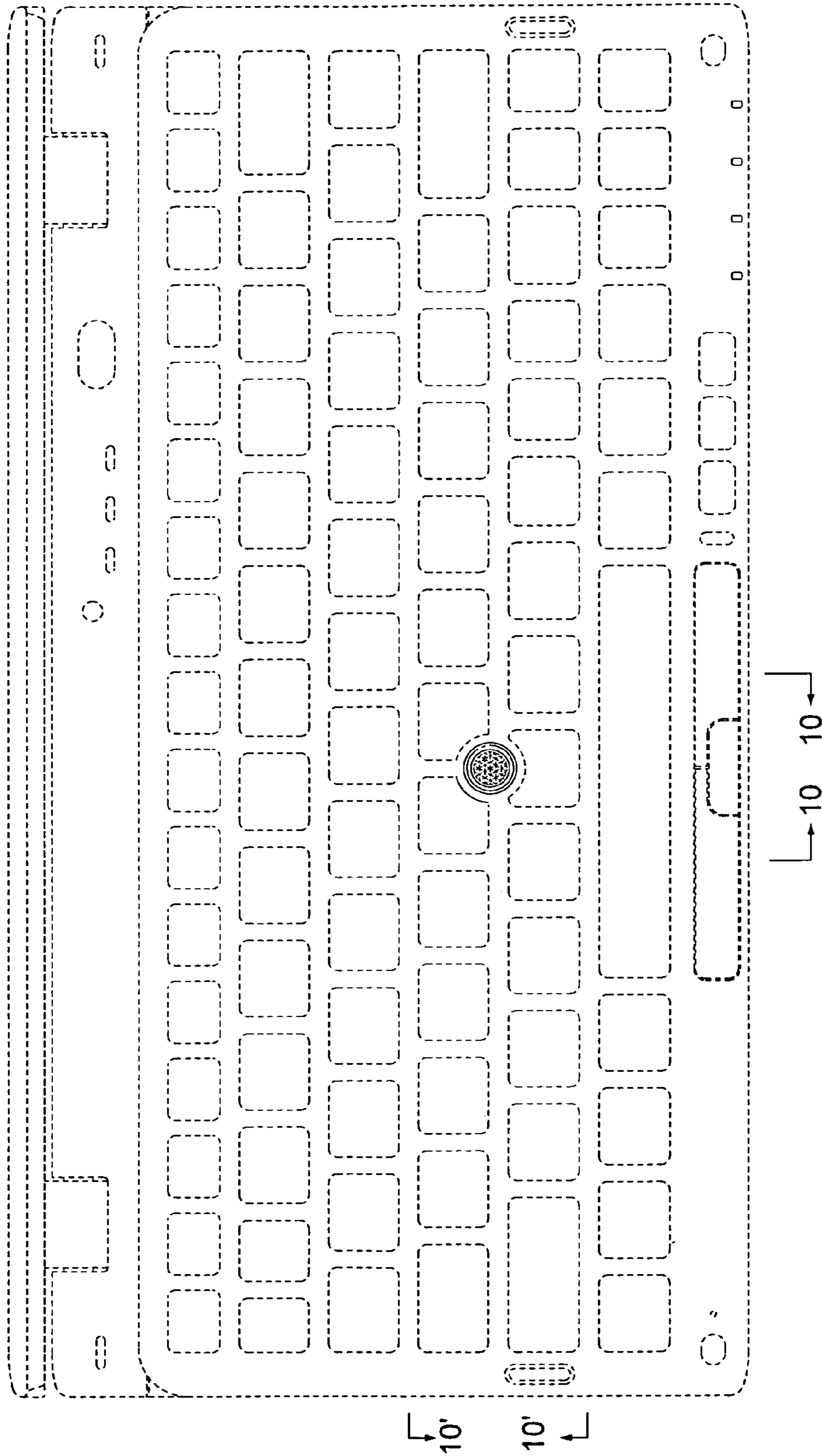


FIG. 7

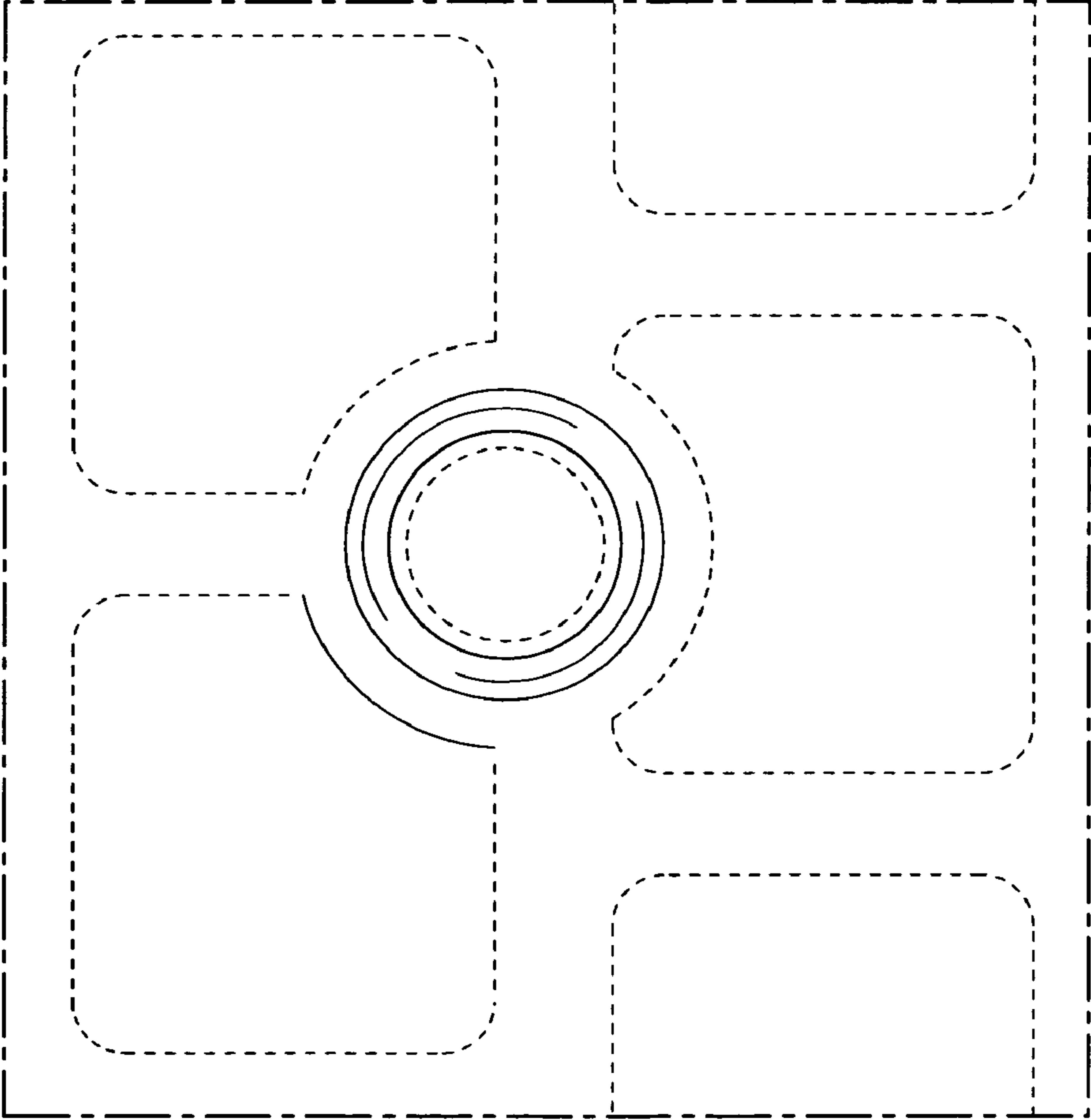




FIG.8

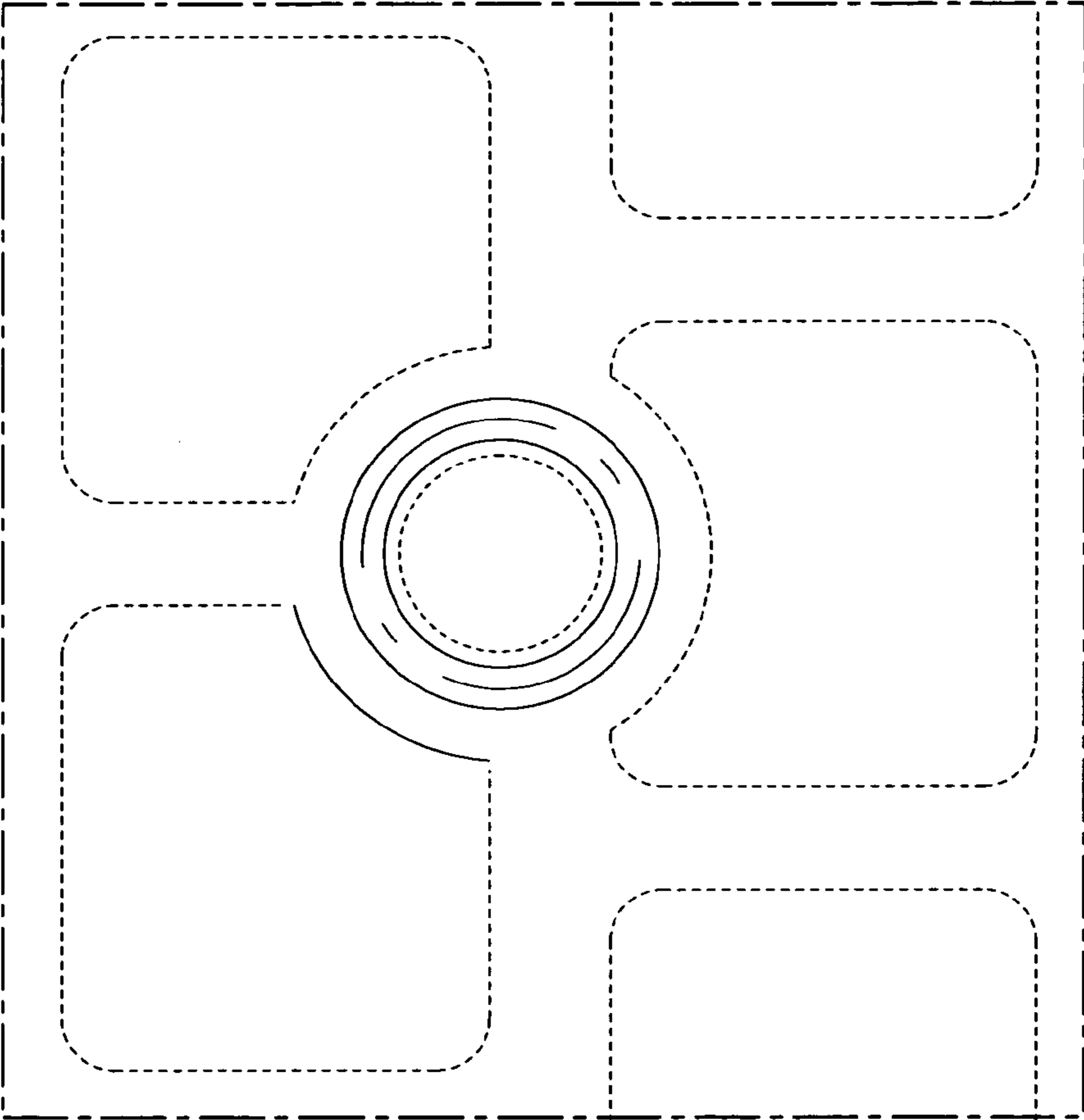


FIG. 9

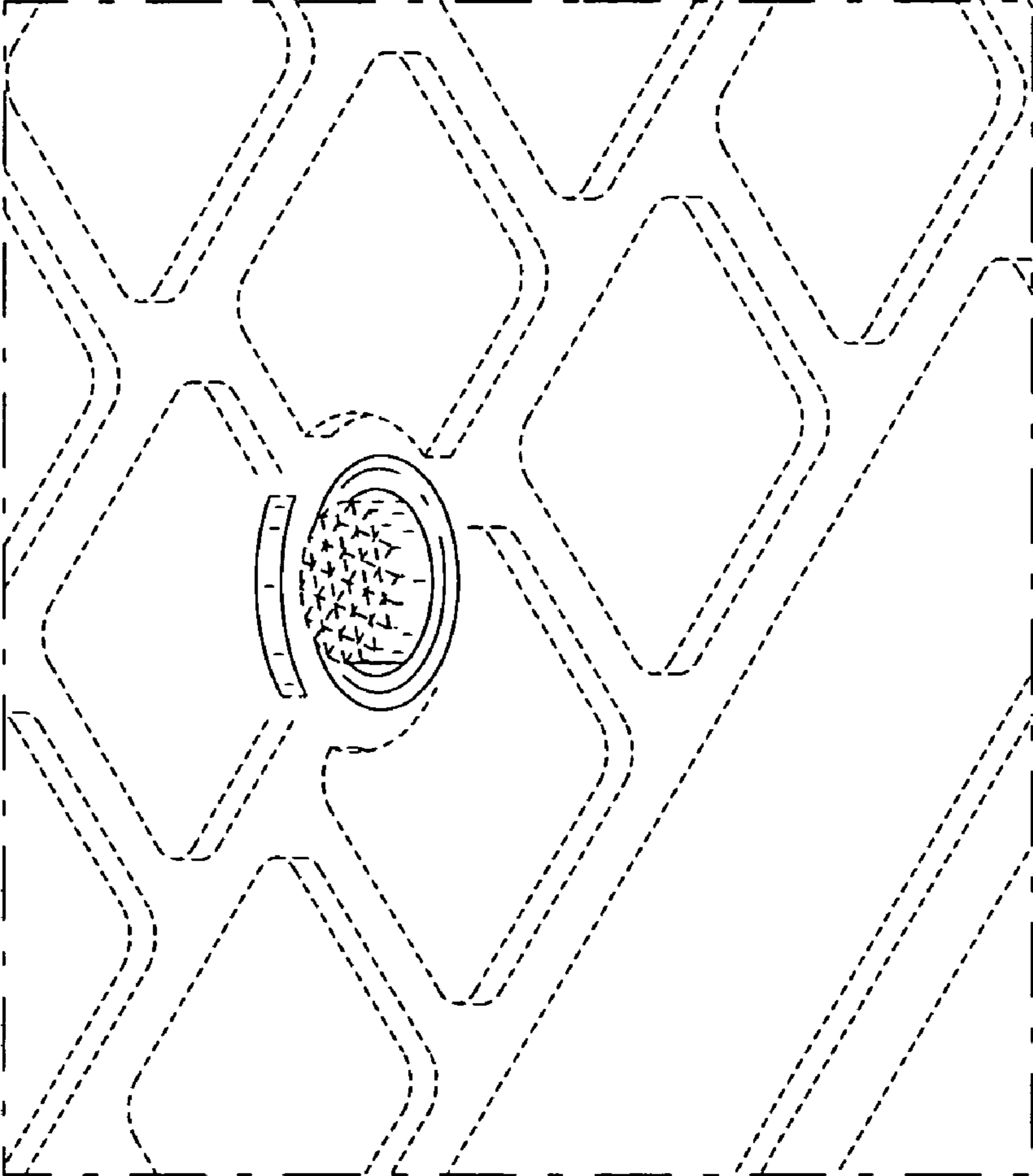


FIG. 10

