



US00D676428S

(12) **United States Design Patent**
Trewartha et al.

(10) **Patent No.:** **US D676,428 S**

(45) **Date of Patent:** **** Feb. 19, 2013**

(54) **MICROPHONE**

(75) Inventors: **Samuel Dean Trewartha**, Silverwater (AU); **Lisa Gyecsek**, Silverwater (AU); **Peter Noel Cooper**, Silverwater (AU)

(73) Assignee: **Freedman Electronics Pty. Ltd.** (AU)

(**) Term: **14 Years**

(21) Appl. No.: **29/404,417**

(22) Filed: **Oct. 20, 2011**

(51) **LOC (9) Cl.** **14-01**

(52) **U.S. Cl.** **D14/225**

(58) **Field of Classification Search** D14/137, D14/138, 155, 159, 167, 168, 191, 194, 203.3, D14/206, 223–229, 242, 431; 181/129, 130, 181/135; 379/430, 431, 420.03; 381/362, 381/364, 365, 375, 380, 381, 382; 455/95, 455/569.1

See application file for complete search history.

(56) **References Cited**

U.S. PATENT DOCUMENTS

D194,151	S *	11/1962	Deschamps et al.	D14/228
4,811,405	A *	3/1989	Peiker	381/365
D313,802	S *	1/1991	Peiker	D14/227
4,991,220	A *	2/1991	Wolf	381/368
6,768,804	B1 *	7/2004	Isvan	381/376
D602,920	S *	10/2009	Fleischer et al.	D14/227
D603,381	S *	11/2009	Fleischer et al.	D14/227
D605,183	S *	12/2009	Fleischer et al.	D14/227
D619,998	S *	7/2010	Birger	D14/223
D620,926	S *	8/2010	Wai	D14/223
8,054,336	B2 *	11/2011	Vanderwilt et al.	348/211.14

D653,649	S *	2/2012	Yang et al.	D14/206
2004/0157581	A1 *	8/2004	Park et al.	455/344
2006/0082655	A1 *	4/2006	Vanderwilt et al.	348/207.99

* cited by examiner

Primary Examiner — Cathron Brooks

Assistant Examiner — Katie Mroczka

(74) *Attorney, Agent, or Firm* — SAIDMAN DesignLaw Group

(57) **CLAIM**

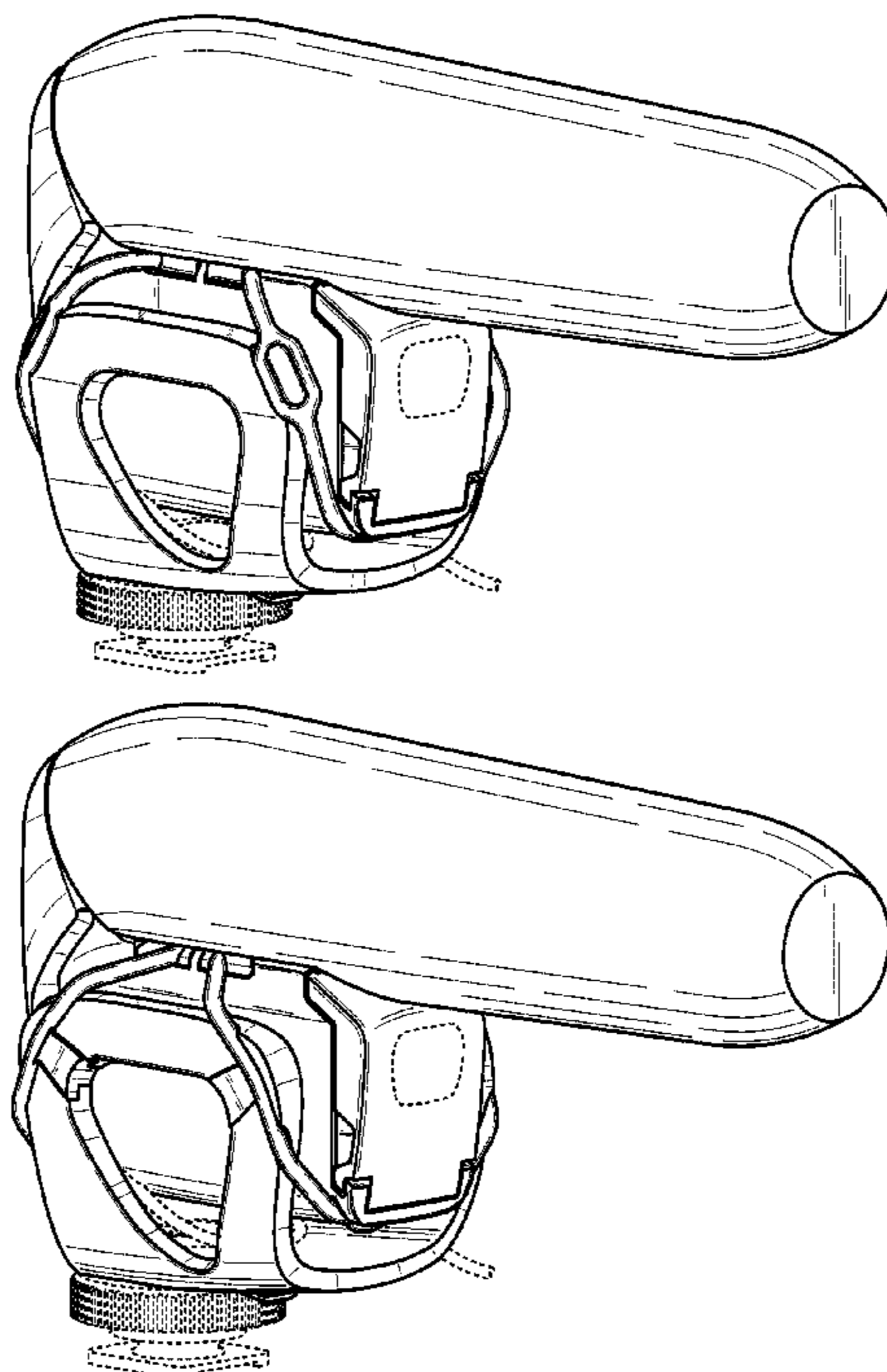
The ornamental design for a microphone, as shown and described.

DESCRIPTION

FIG. 1 is a left perspective view of a first embodiment of a microphone showing our new design; FIG. 2 is a front view thereof; FIG. 3 is a rear view thereof; FIG. 4 is a left side view thereof; FIG. 5 is a right side view thereof; FIG. 6 is a top view thereof; FIG. 7 is a bottom view thereof; FIG. 8 is a left perspective view of a second embodiment thereof; FIG. 9 is a front view thereof; FIG. 10 is a rear view thereof; FIG. 11 is a left side view thereof; FIG. 12 is a right side view thereof; FIG. 13 is a top view thereof; and, FIG. 14 is a bottom view thereof.

The broken lines illustrate portions of the microphone and form no part of the claimed design.

1 Claim, 8 Drawing Sheets



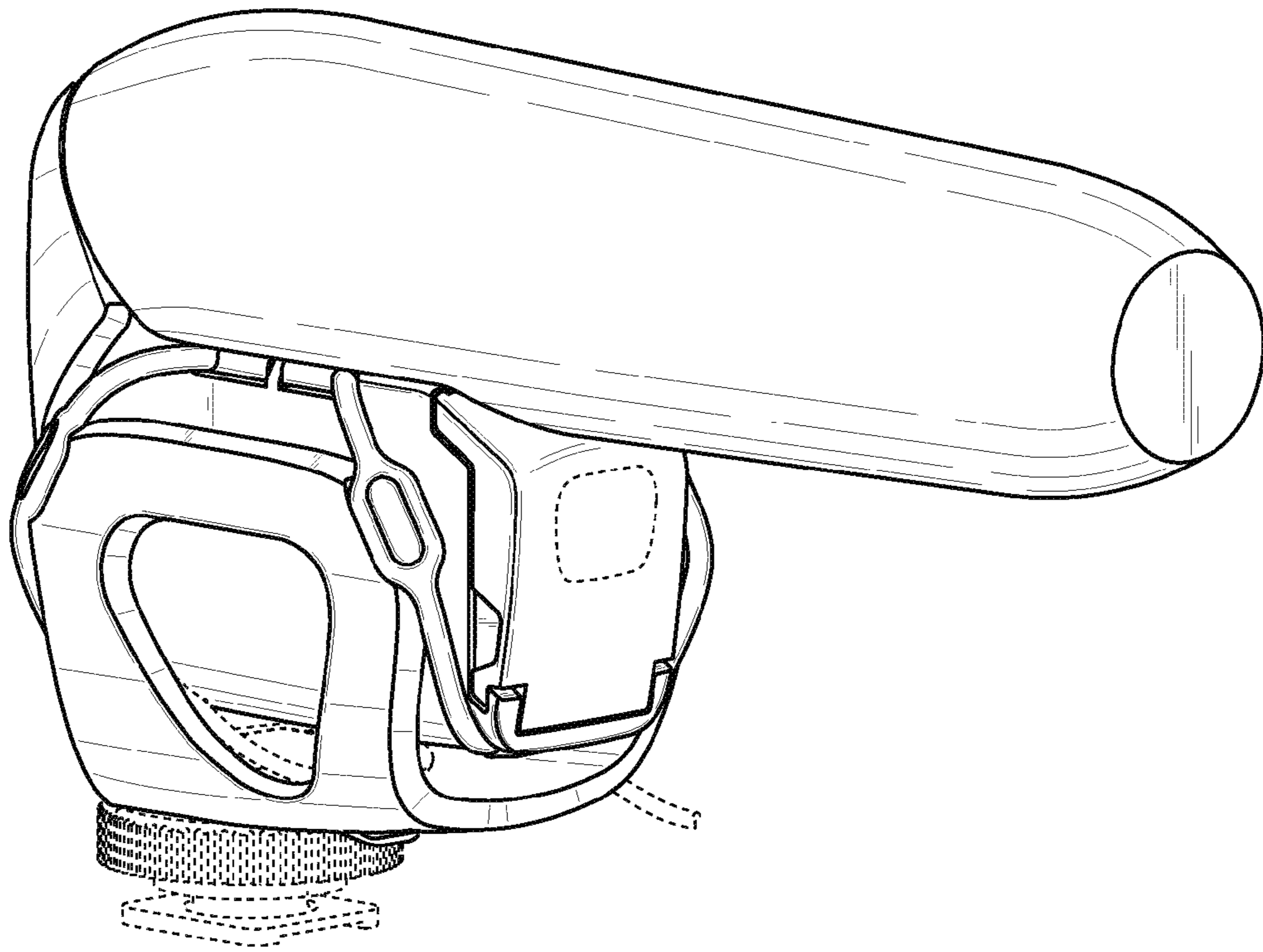


Fig. 1

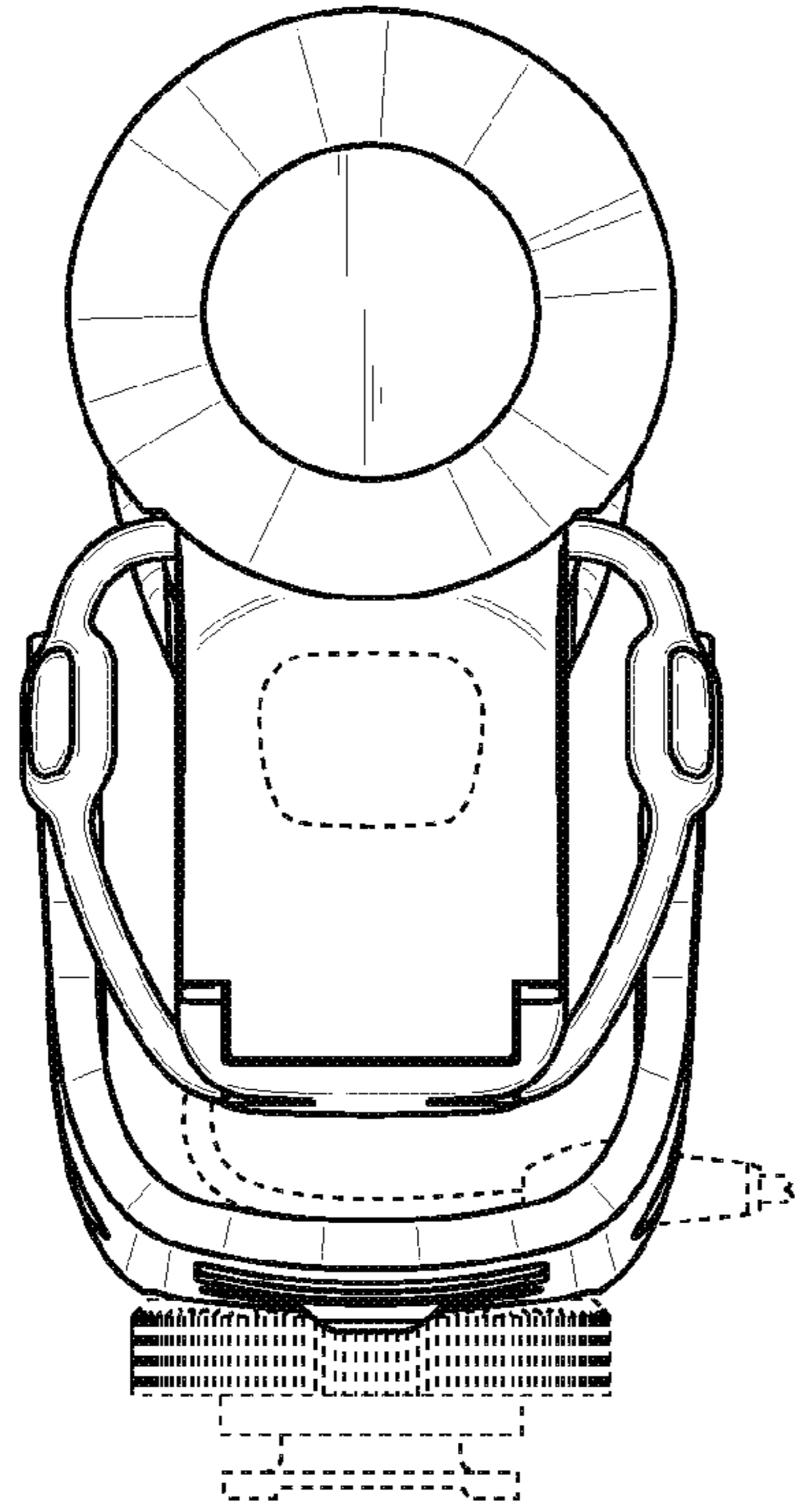


Fig. 2

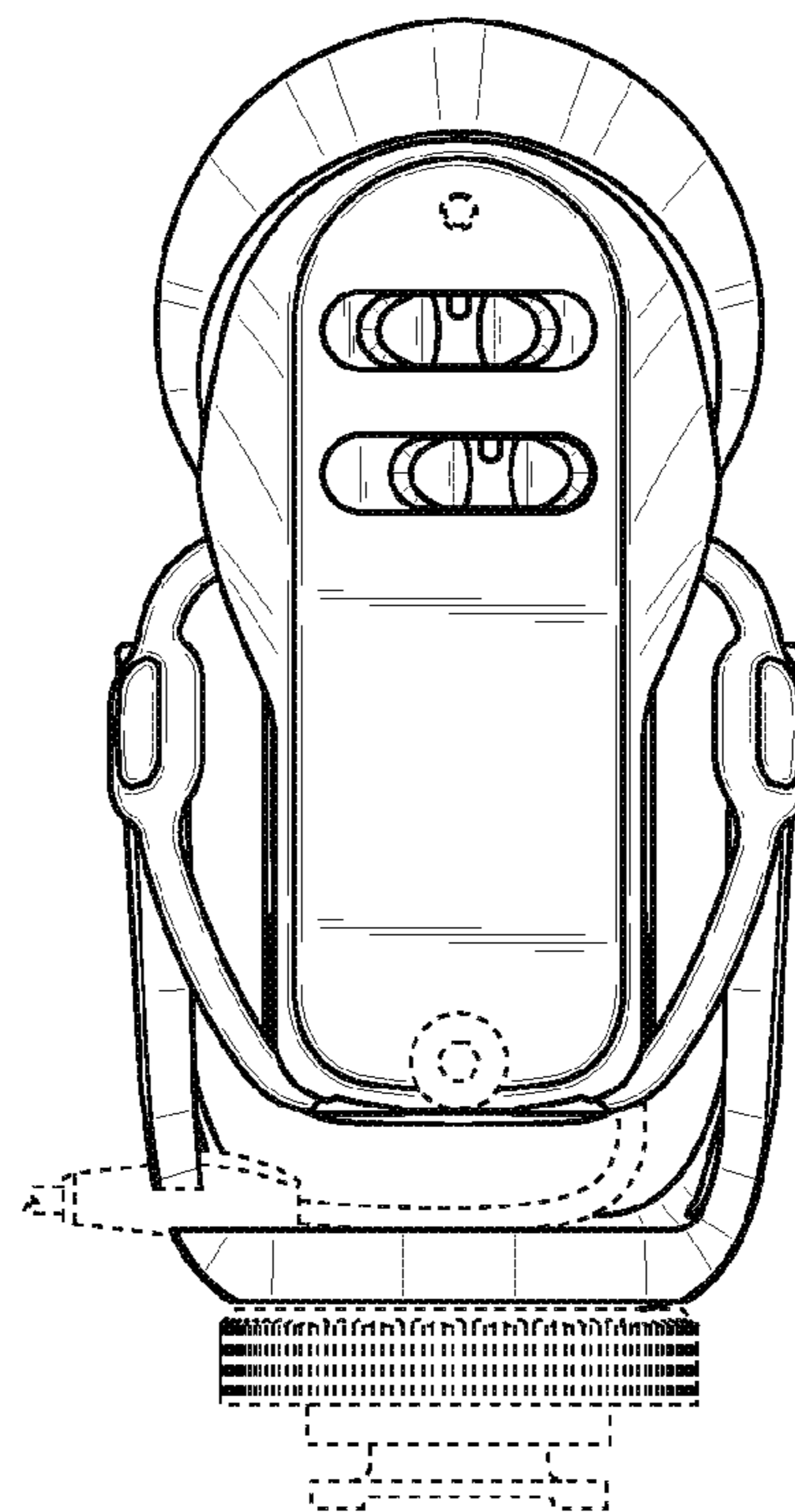


Fig. 3

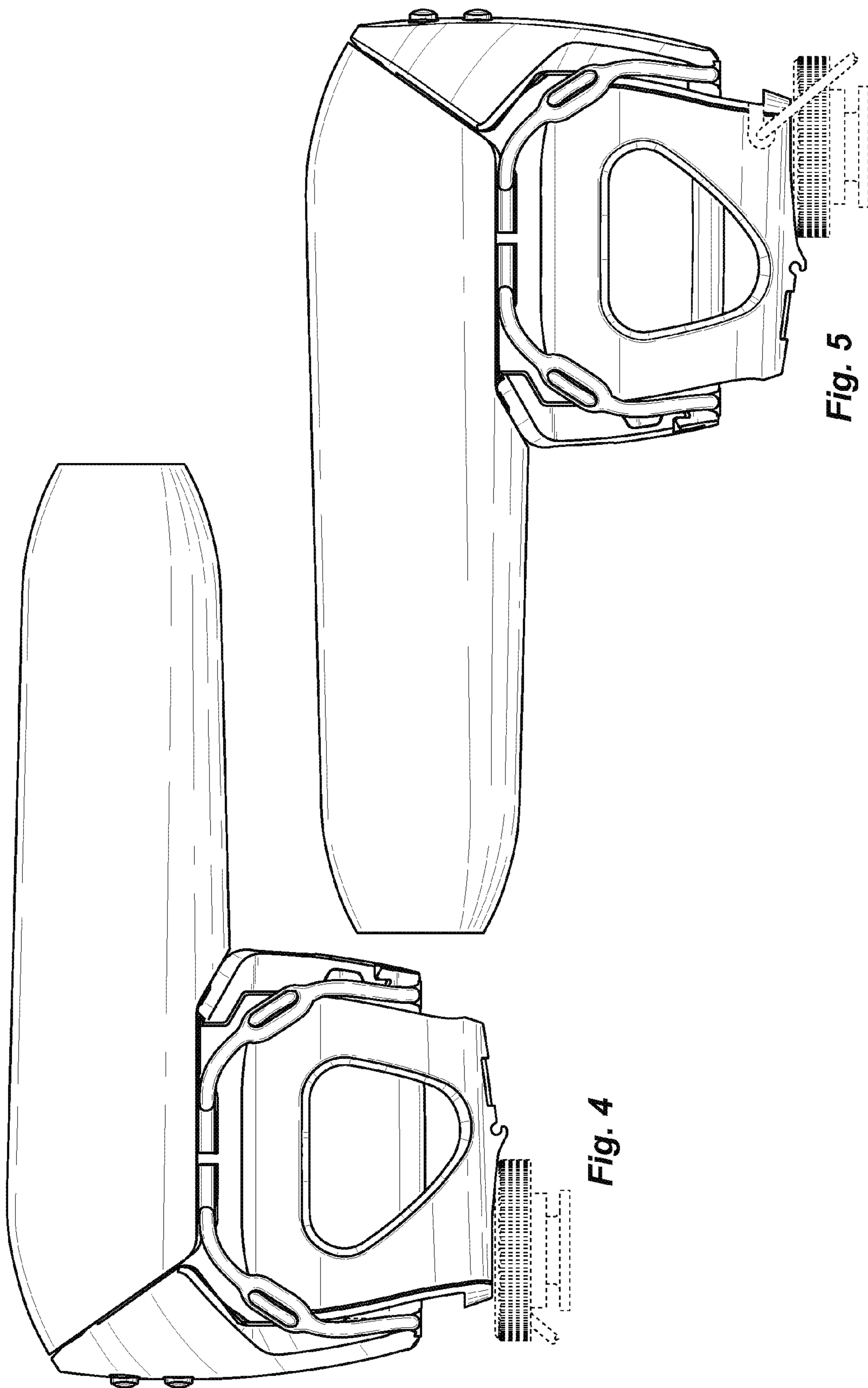


Fig. 4

Fig. 5

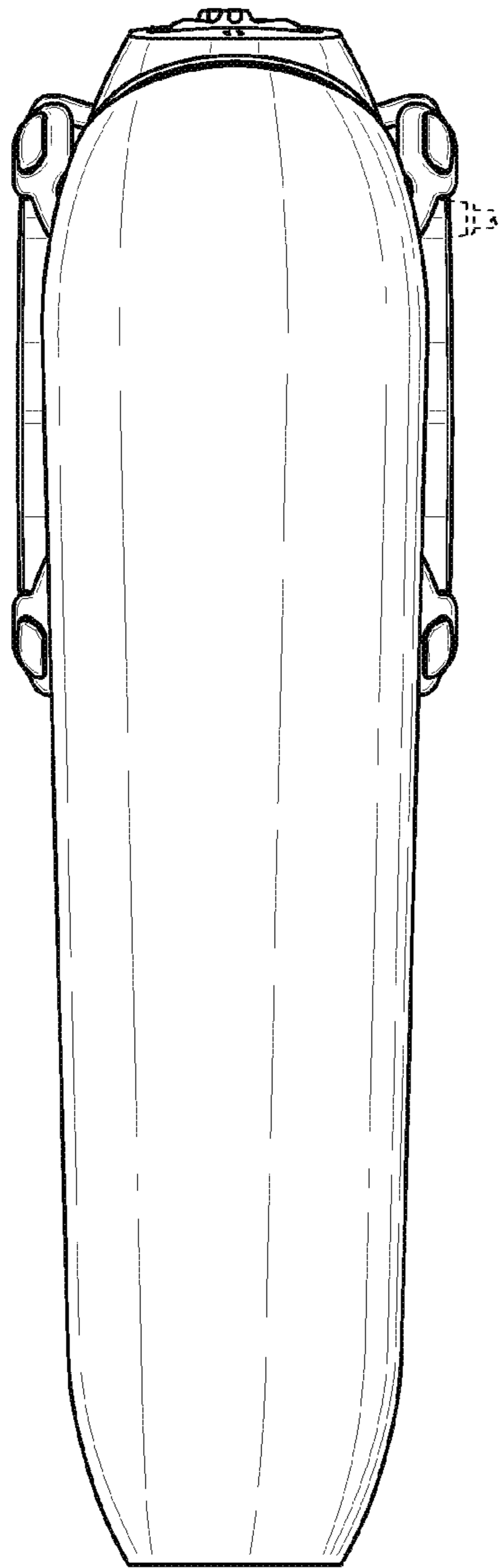


Fig. 6

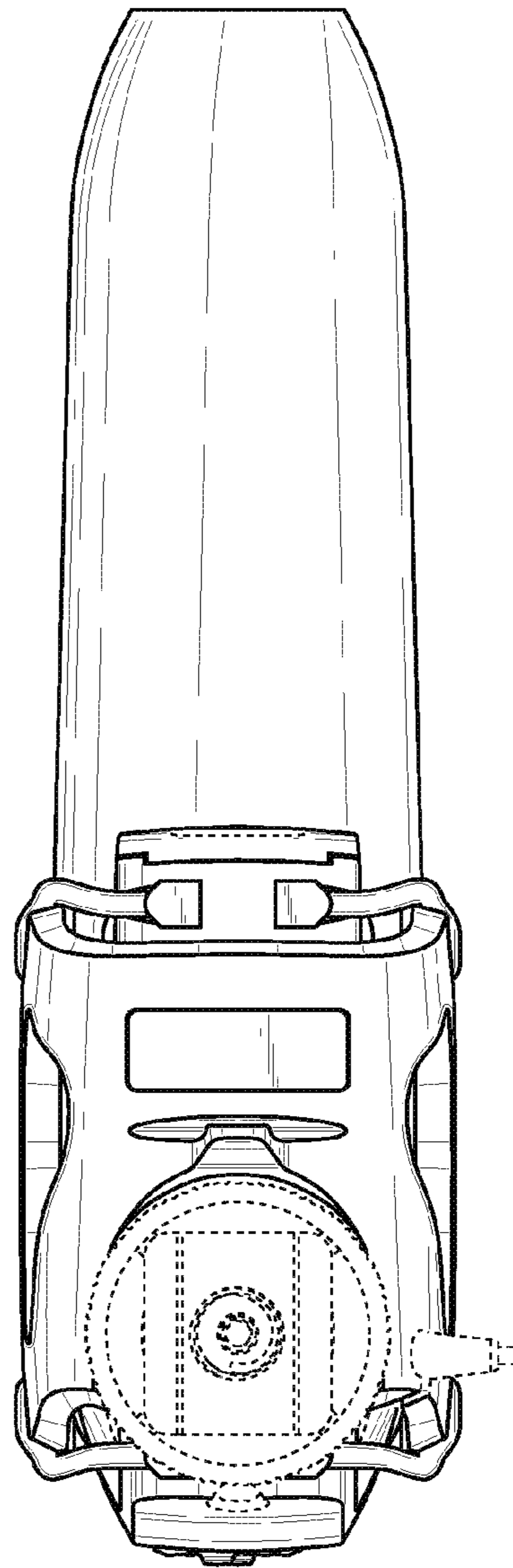


Fig. 7

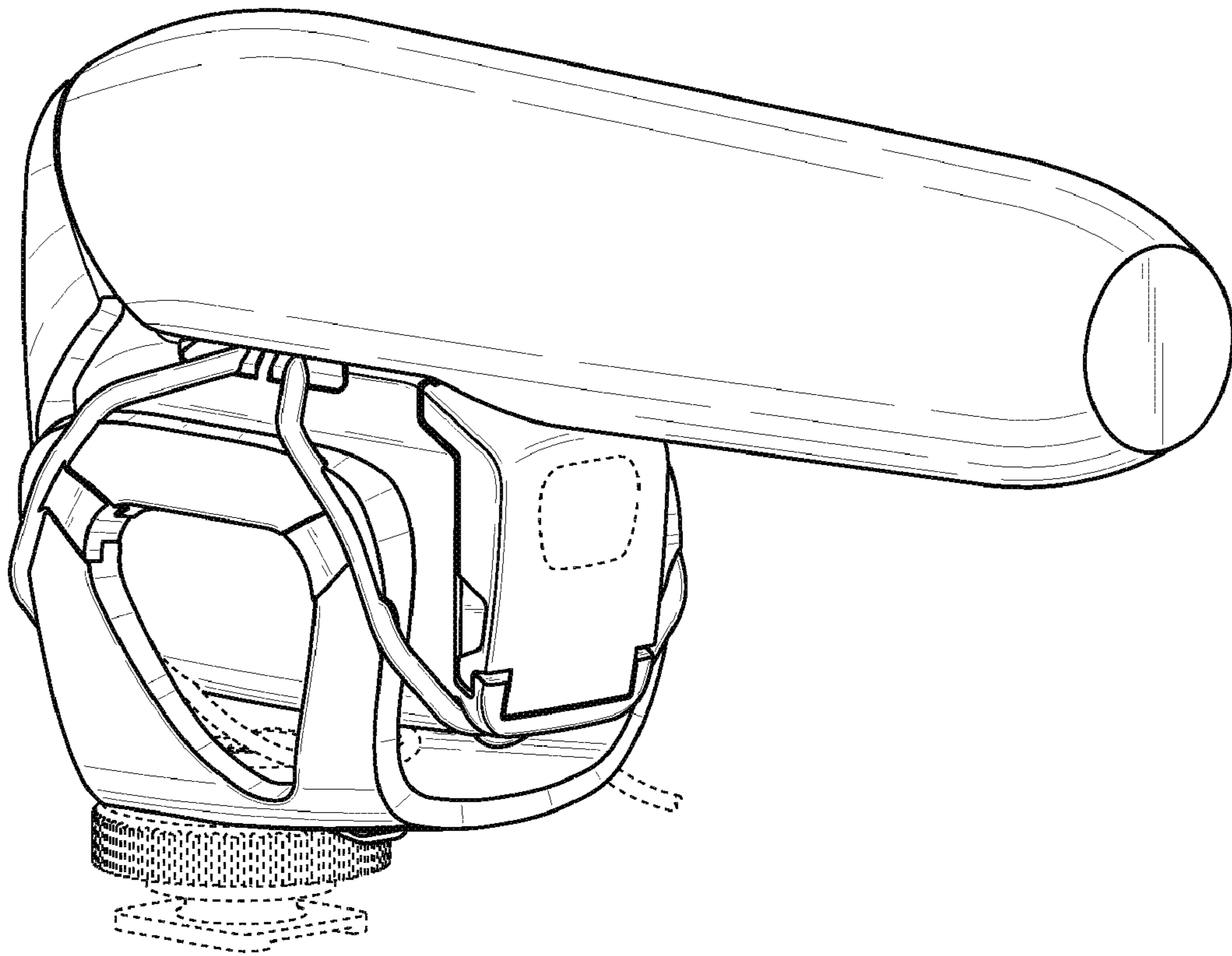


Fig. 8

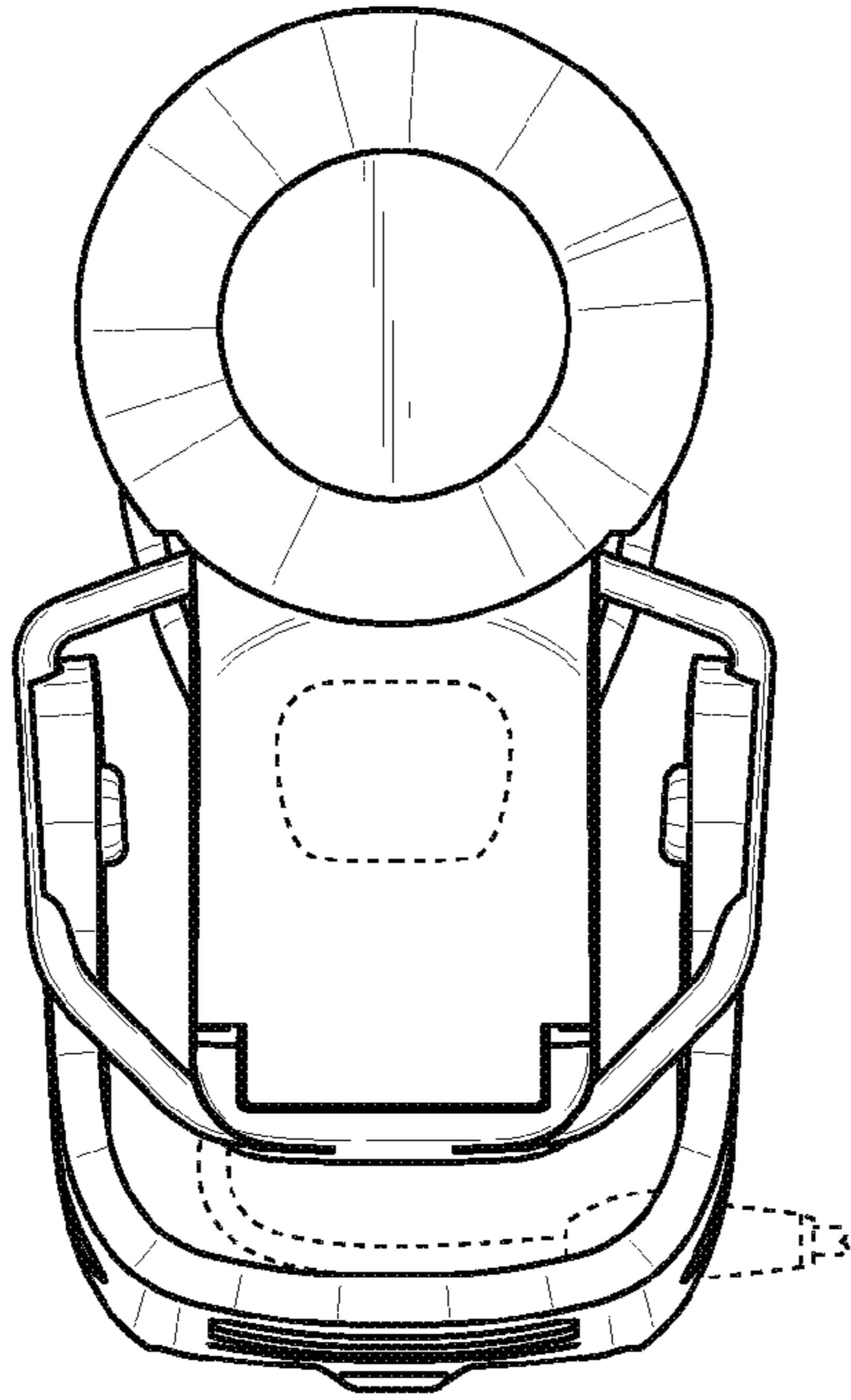


Fig. 9

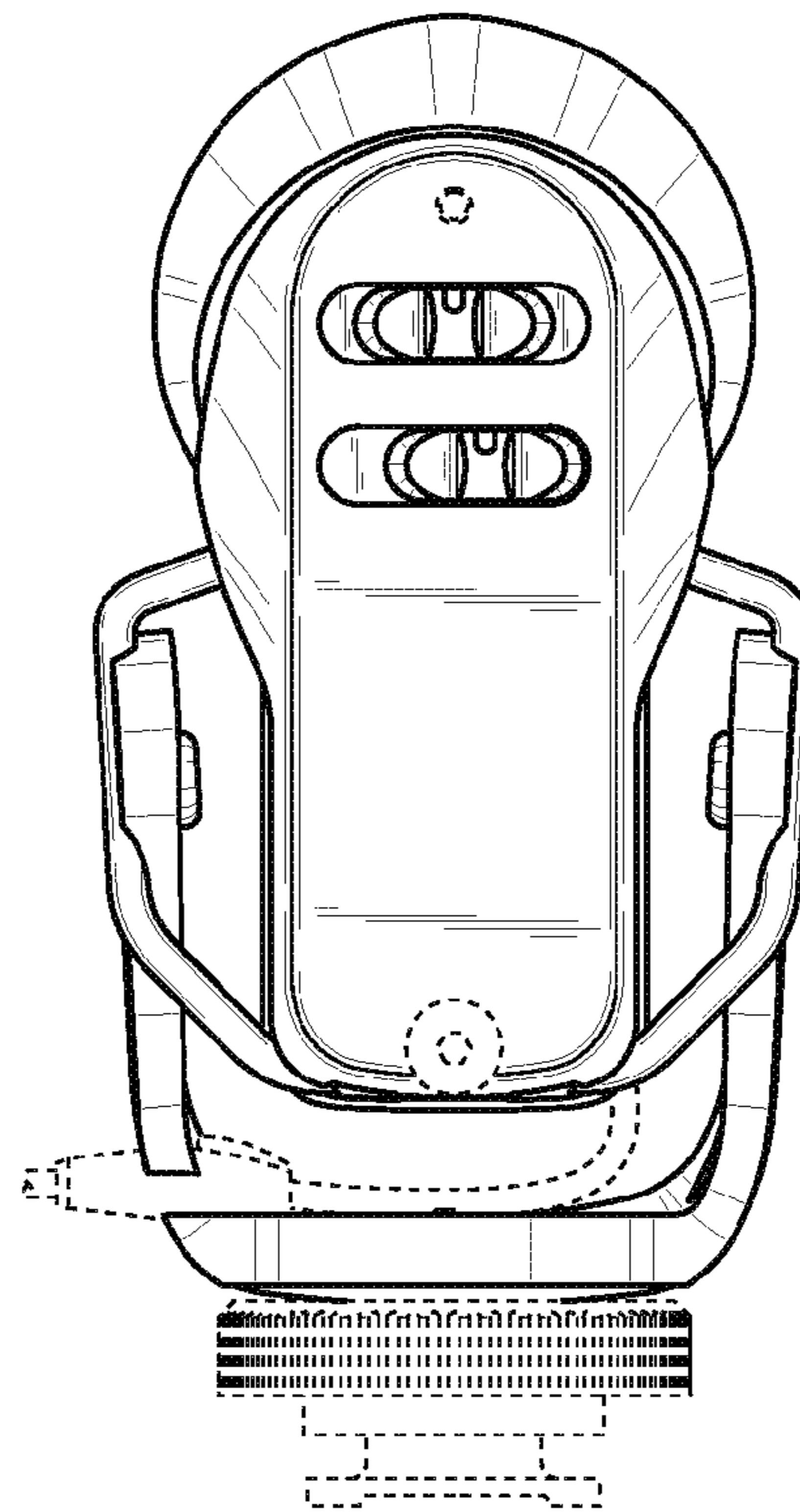


Fig. 10

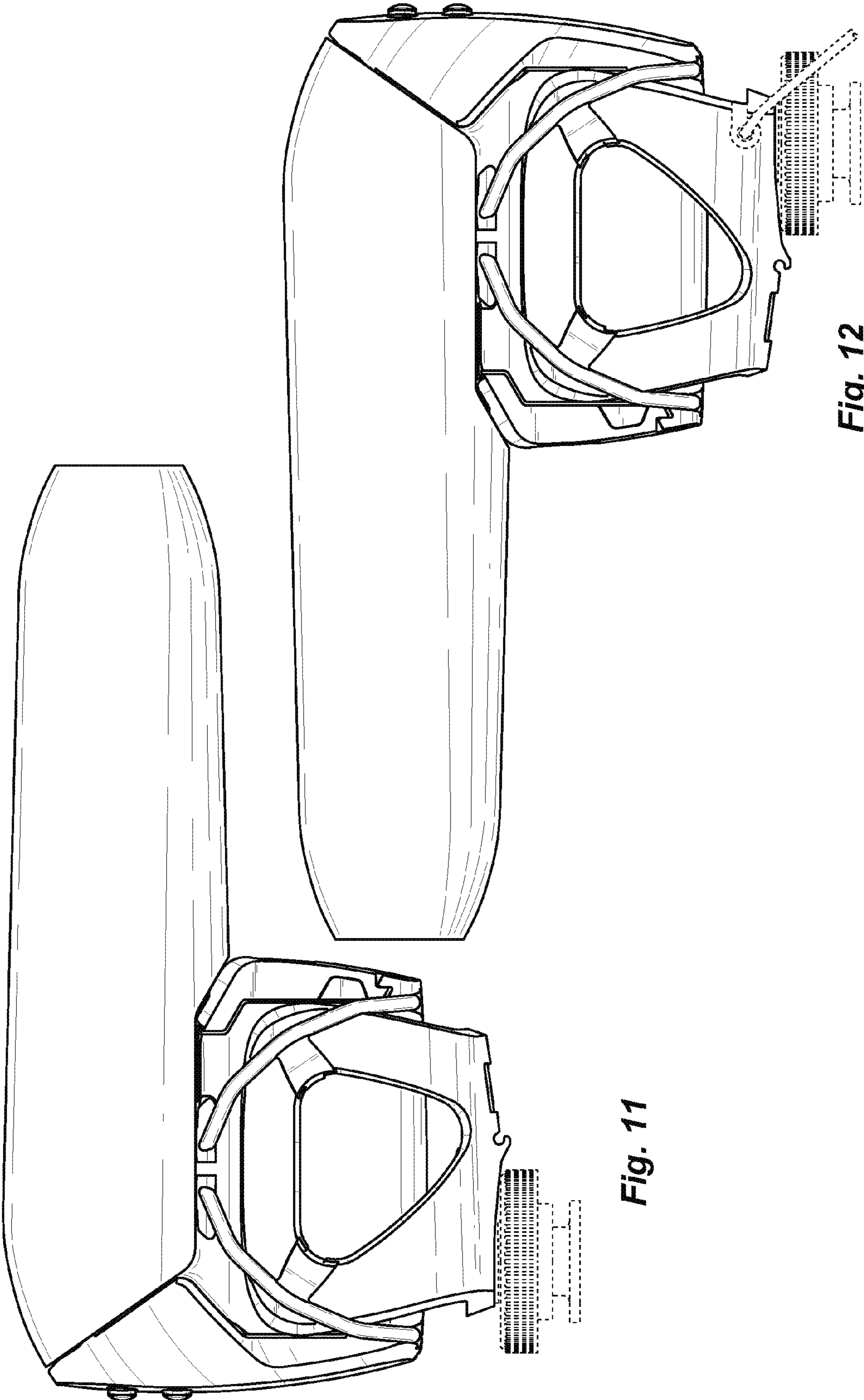


Fig. 11

Fig. 12

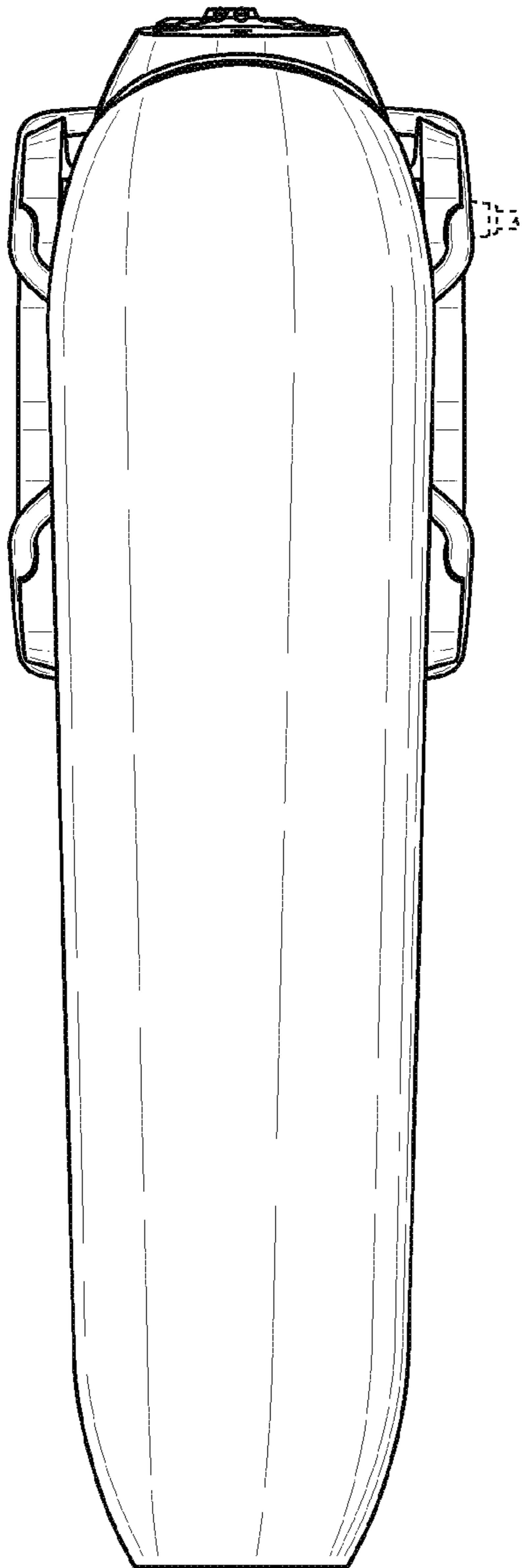


Fig. 13

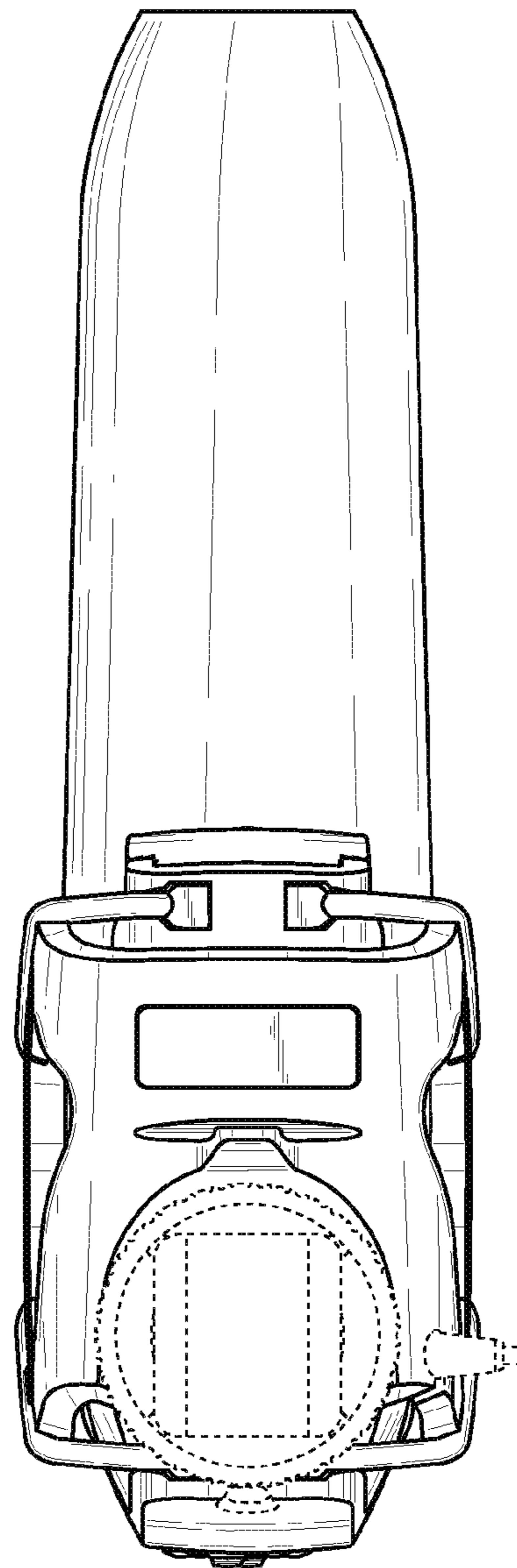


Fig. 14