

US00D676427S

(12) **United States Design Patent**
Yang

(10) **Patent No.:** **US D676,427 S**

(45) **Date of Patent:** **** Feb. 19, 2013**

(54) **EARPHONE**

(75) Inventor: **Bill Yang**, Taipei (TW)

(73) Assignee: **Cotron Corporation**, Taipei (TW)

(**) Term: **14 Years**

(21) Appl. No.: **29/408,641**

(22) Filed: **Dec. 15, 2011**

(51) **LOC (9) Cl.** **14-01**

(52) **U.S. Cl.** **D14/223**

(58) **Field of Classification Search** D14/223;
181/129, 130, 135; 379/430, 431; 381/380,
381/381; D24/174; 455/90.3, 575.1

See application file for complete search history.

(56) **References Cited**

U.S. PATENT DOCUMENTS

6,731,772 B1 *	5/2004	Byun	381/380
D550,200 S *	9/2007	Drambarean et al.	D14/205
D554,627 S *	11/2007	Gondo	D14/223
D564,495 S *	3/2008	Sasaki	D14/205
D567,217 S *	4/2008	Kamo et al.	D14/205
D572,703 S *	7/2008	Ledbetter et al.	D14/205
D573,978 S *	7/2008	Ledbetter et al.	D14/205
D576,154 S *	9/2008	Ledbetter et al.	D14/223
D587,681 S *	3/2009	Yanai	D14/205
D589,493 S *	3/2009	Densho	D14/206
D594,441 S *	6/2009	Lee et al.	D14/205
7,551,748 B2 *	6/2009	Kamo et al.	381/380
D598,894 S *	8/2009	Masuda et al.	D14/205
D605,636 S *	12/2009	Yang	D14/223
D614,168 S *	4/2010	Rogers et al.	D14/206

D627,766 S *	11/2010	Arimoto	D14/223
D629,395 S *	12/2010	Lee et al.	D14/223
D631,034 S *	1/2011	Yeo	D14/205
D631,470 S *	1/2011	Yoneyama et al.	D14/223
D643,416 S *	8/2011	Chong et al.	D14/223
D646,262 S *	10/2011	Chiu	D14/223
D647,889 S *	11/2011	Huang	D14/223
D651,196 S *	12/2011	Quek	D14/223
D653,235 S *	1/2012	McManigal	D14/205
D662,493 S *	6/2012	Chen	D14/223
D664,523 S *	7/2012	Naitou	D14/223

* cited by examiner

Primary Examiner — Paula Greene

(74) *Attorney, Agent, or Firm* — Jianq Chyun IP Office

(57) **CLAIM**

The ornamental design for an earphone, as shown and described.

DESCRIPTION

FIG. 1 is a perspective view of an earphone showing my new design;

FIG. 2 is another perspective view thereof;

FIG. 3 is another perspective view thereof;

FIG. 4 is another perspective view thereof;

FIG. 5 is a front view thereof;

FIG. 6 is a rear view thereof;

FIG. 7 is a left side view thereof;

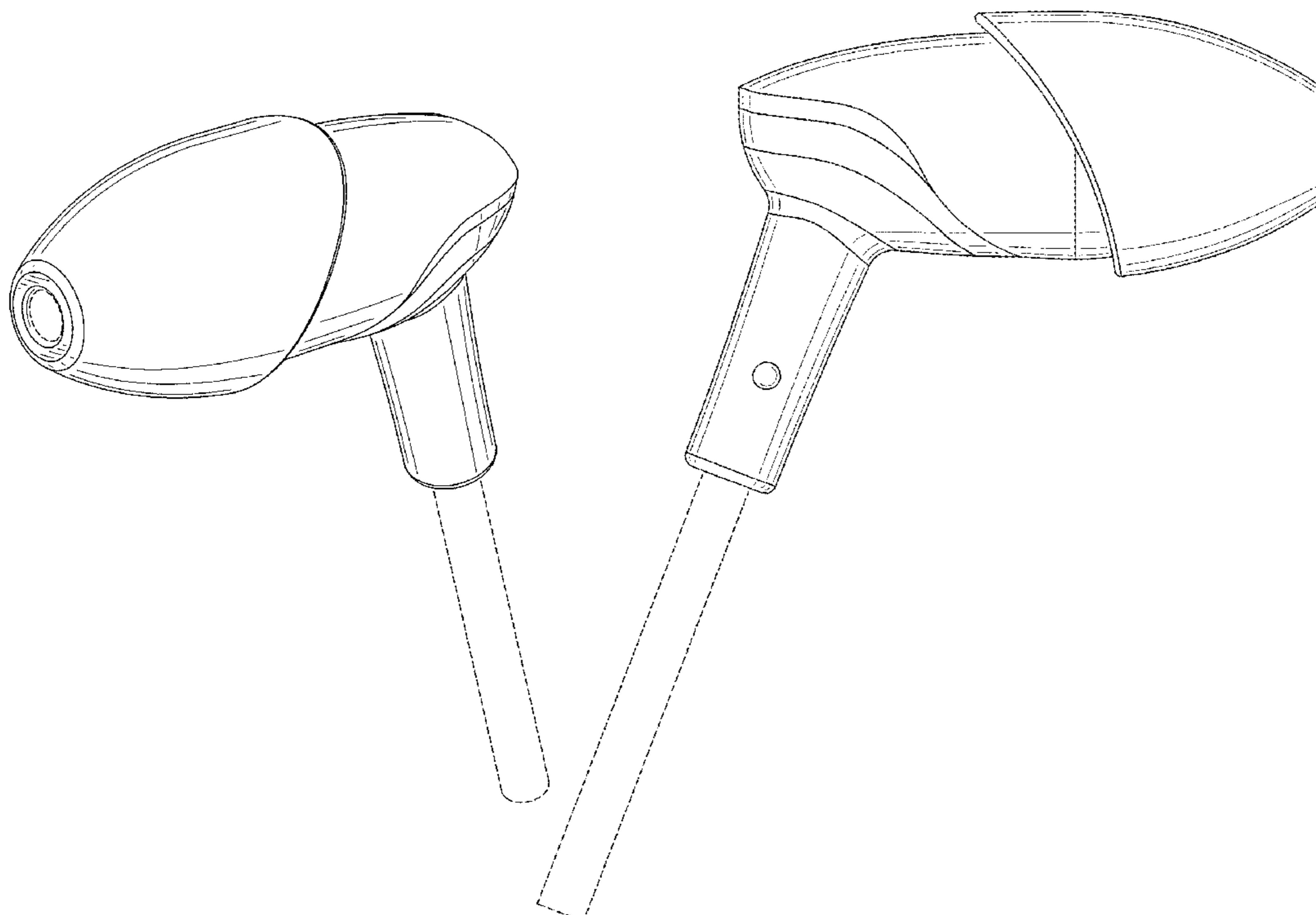
FIG. 8 is a right side view thereof;

FIG. 9 is a top view thereof; and,

FIG. 10 is a bottom thereof.

The broken lines shown in the figures are for illustrative purposes only and do not form part of the claimed design.

1 Claim, 9 Drawing Sheets



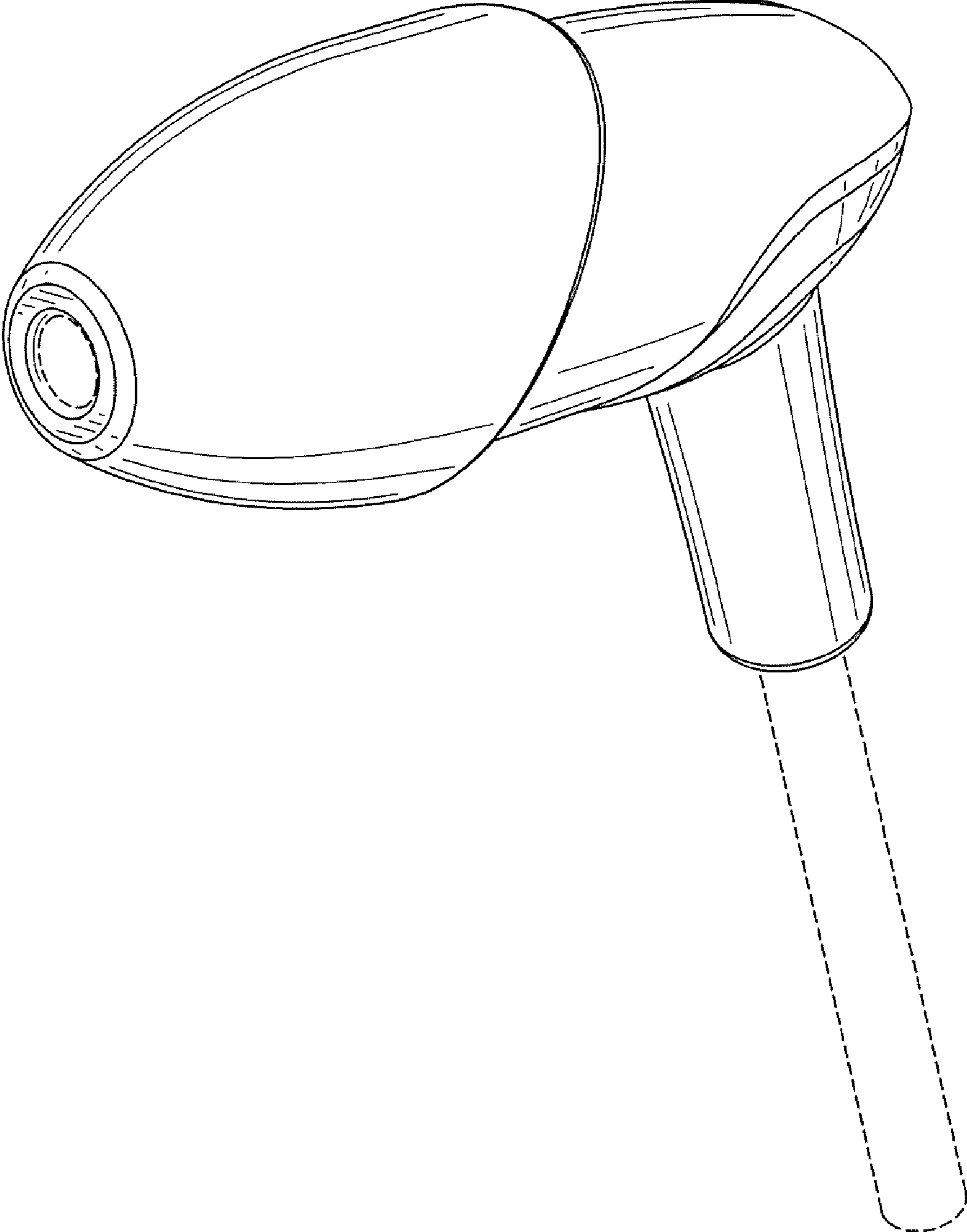


FIG. 1

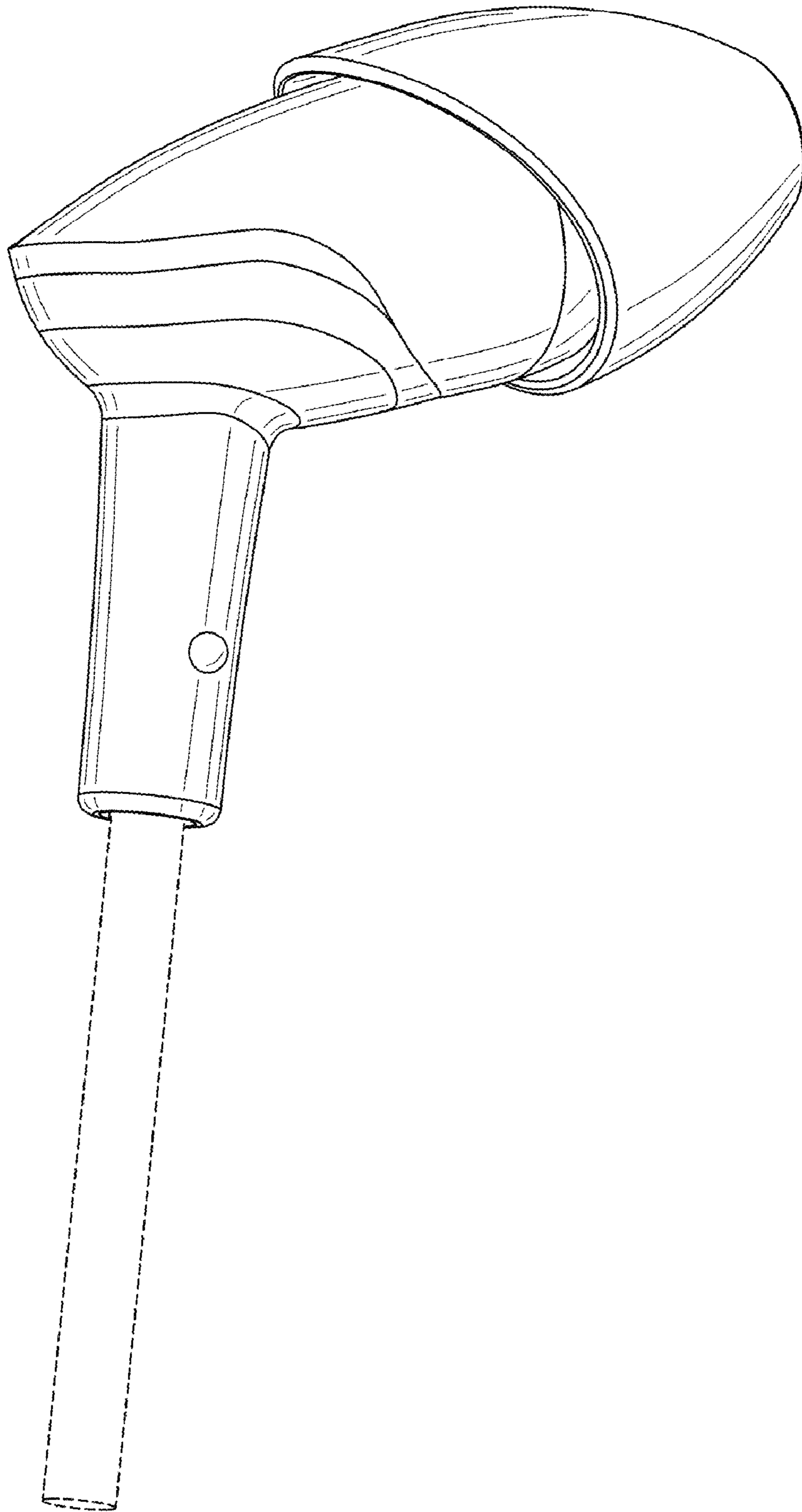


FIG. 2

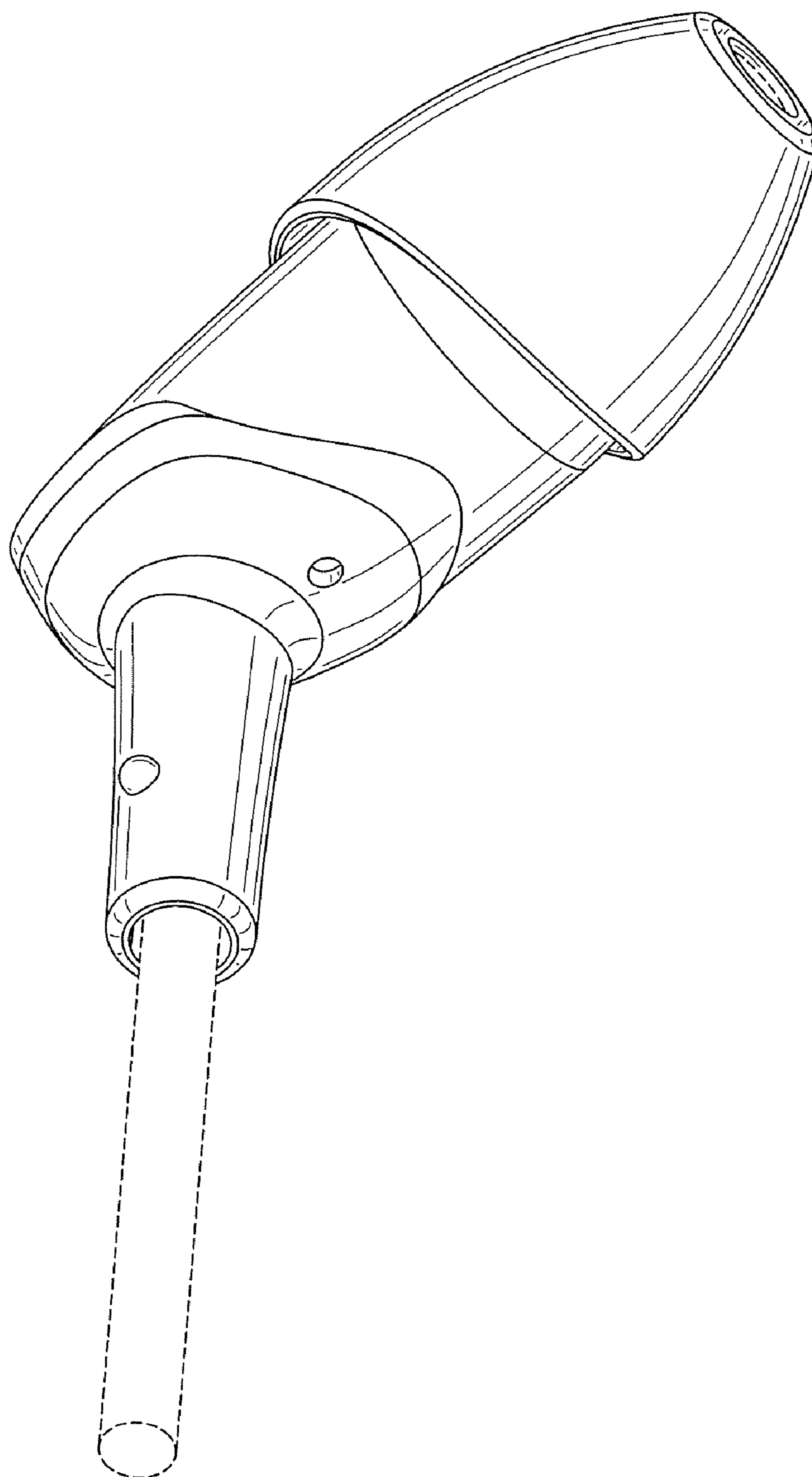


FIG. 3

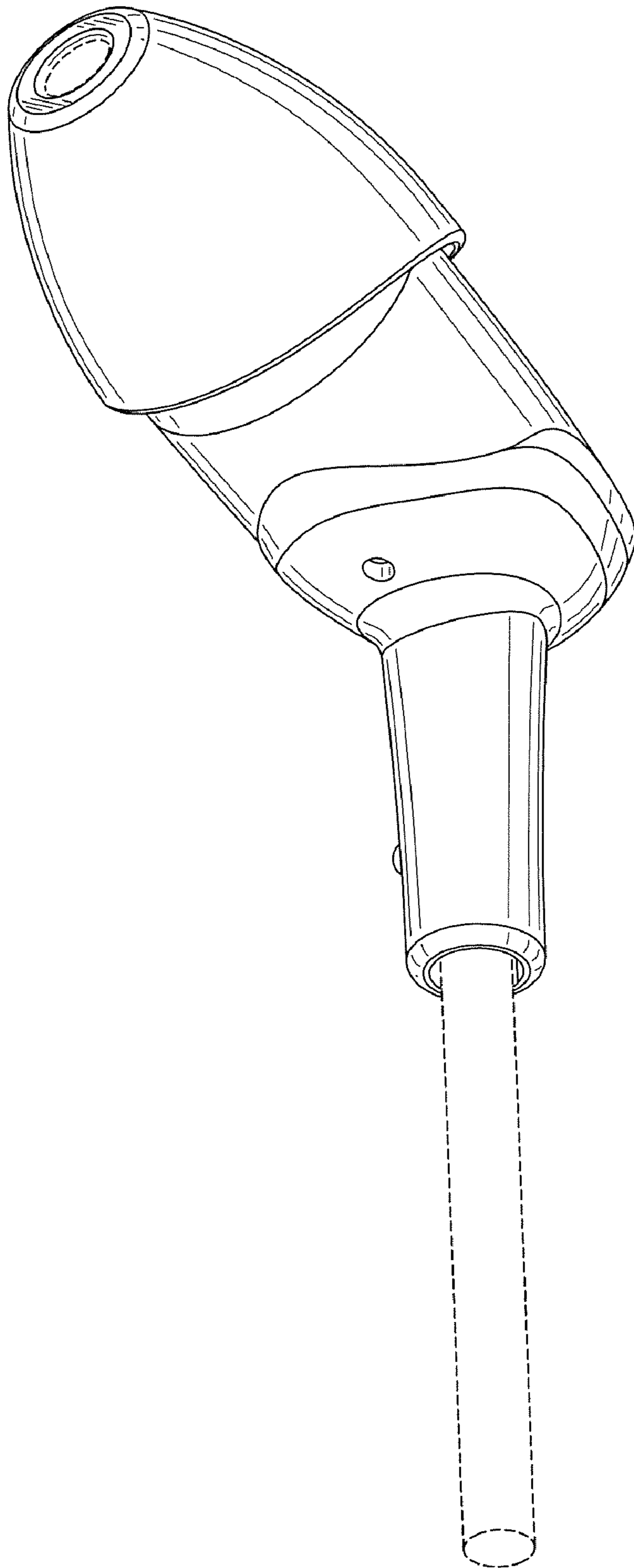


FIG. 4

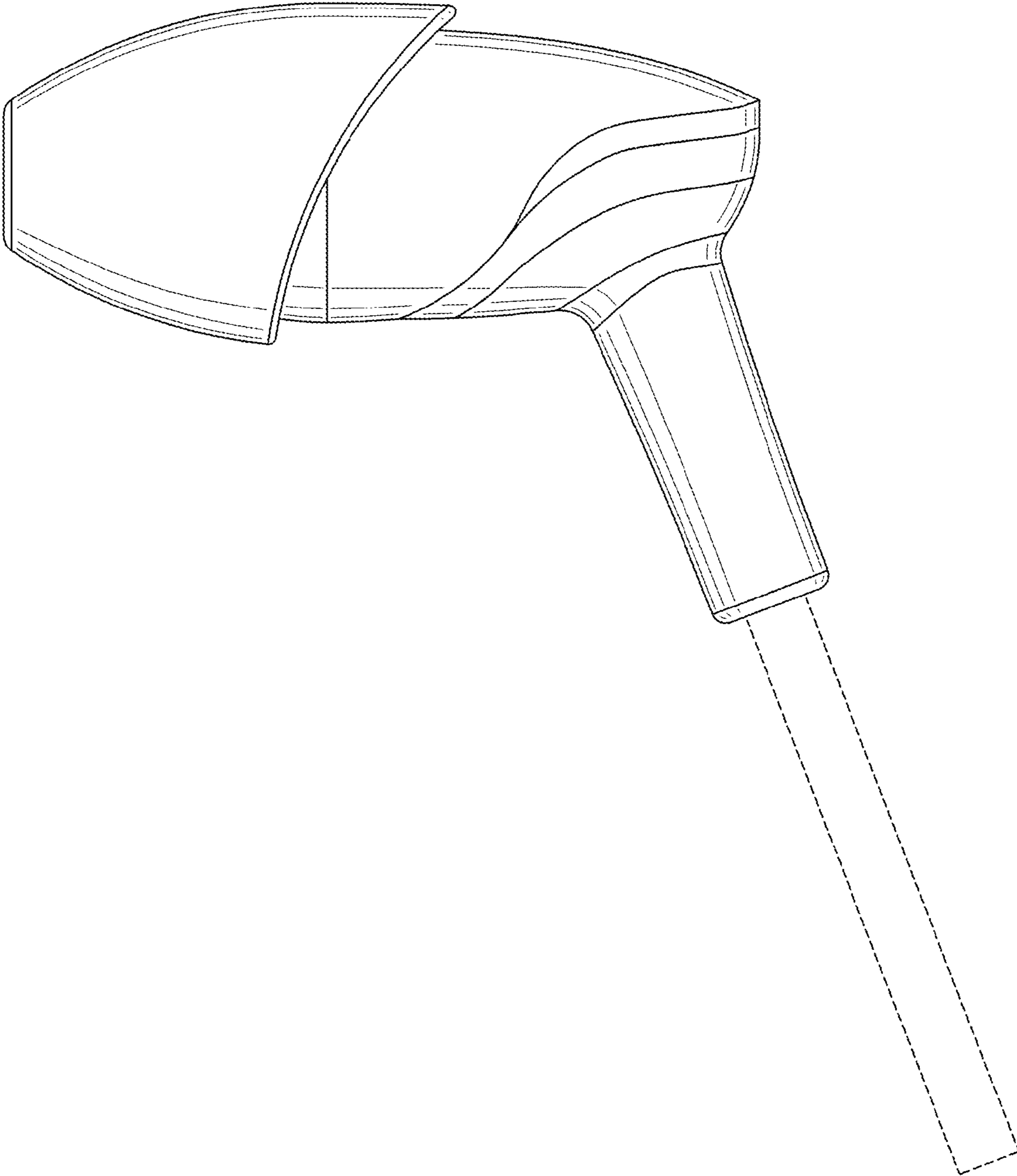


FIG. 5

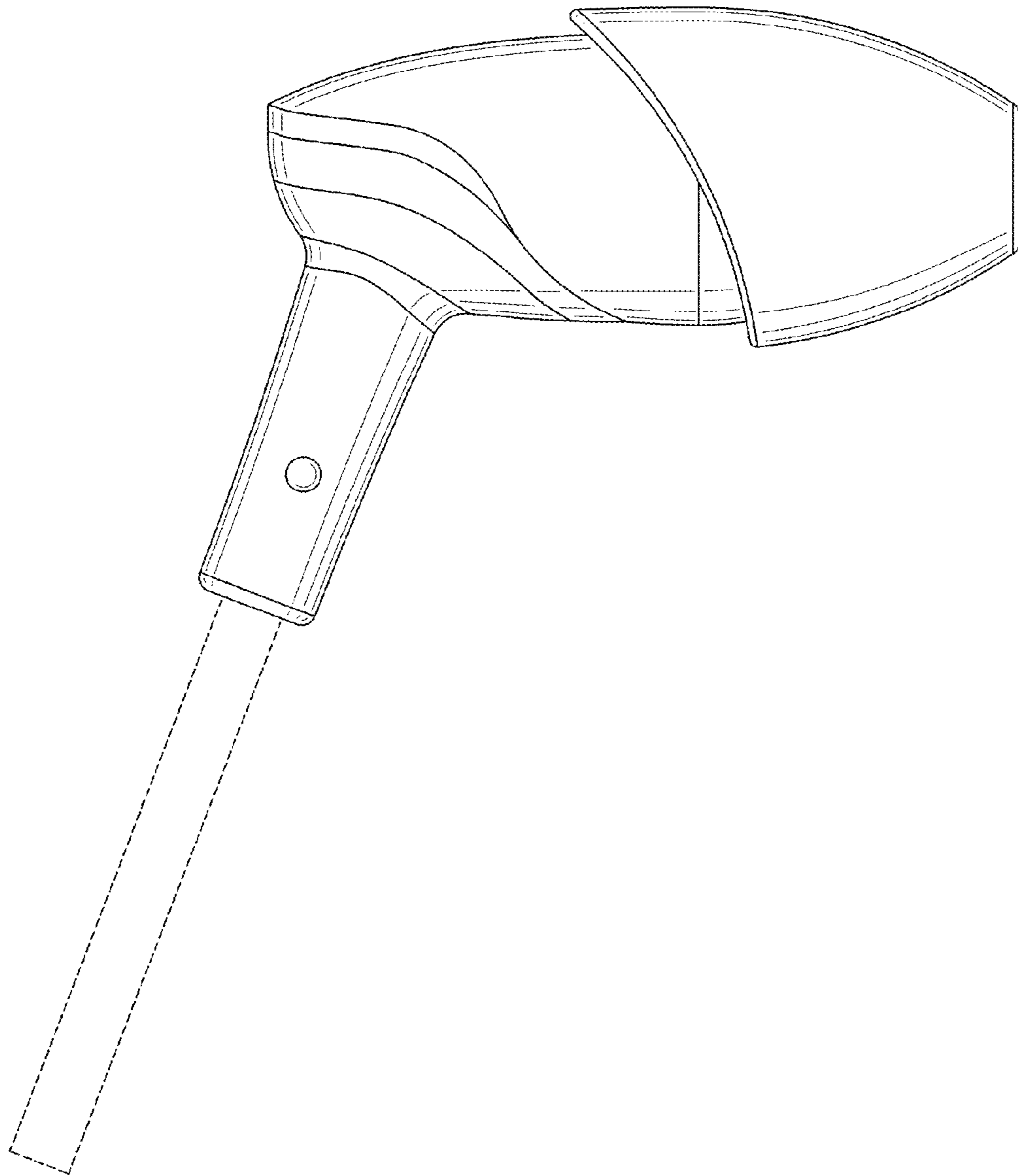


FIG. 6

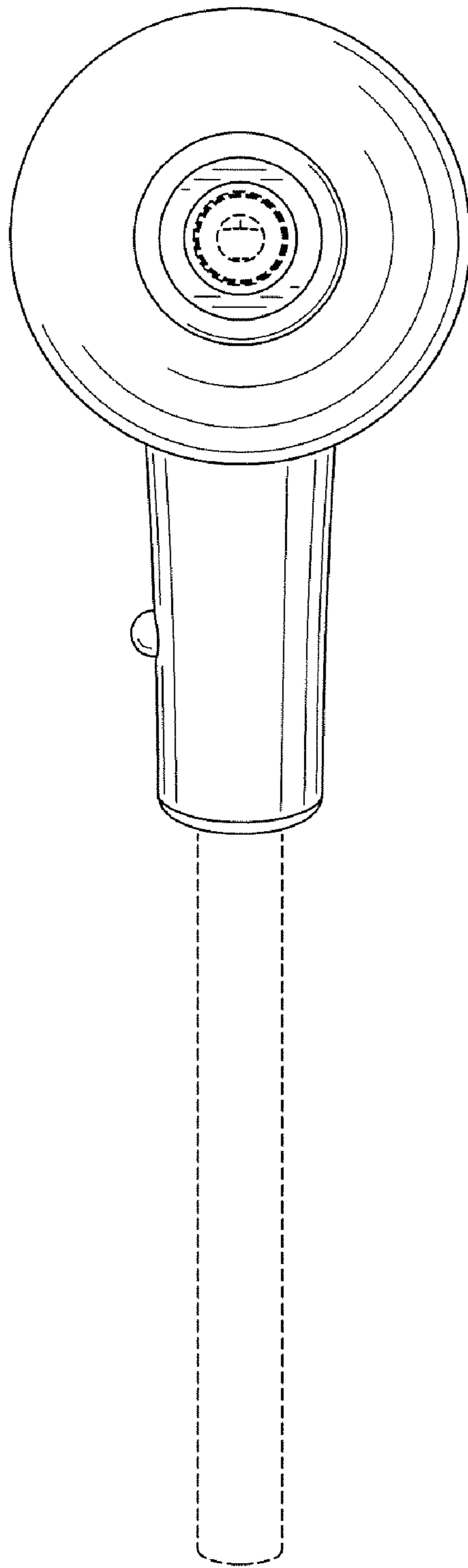


FIG. 7

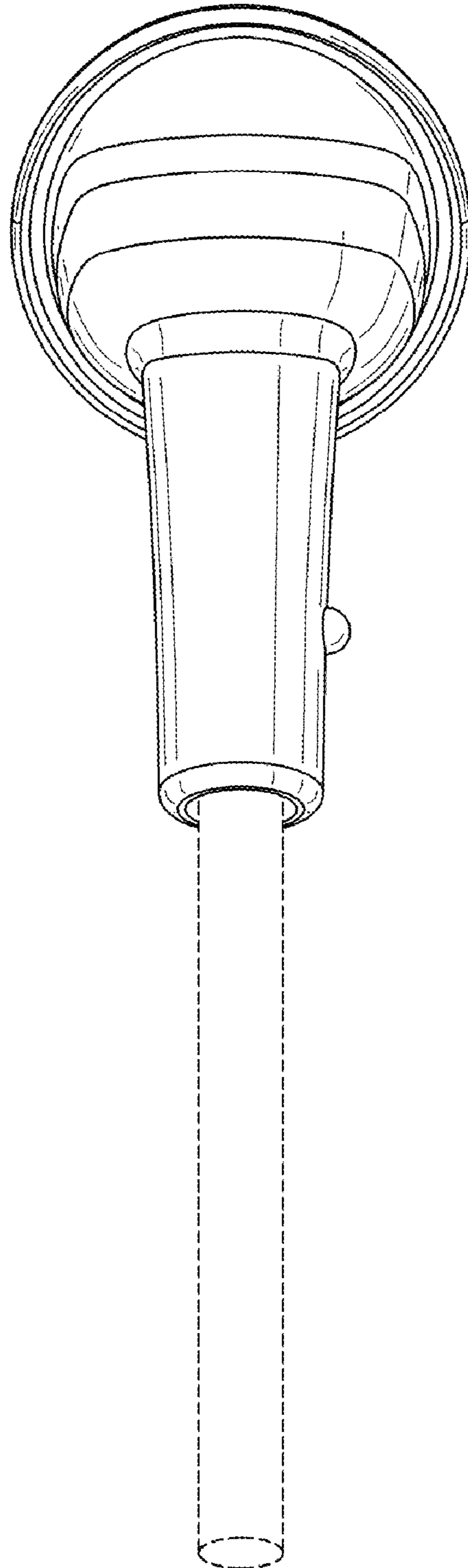


FIG. 8

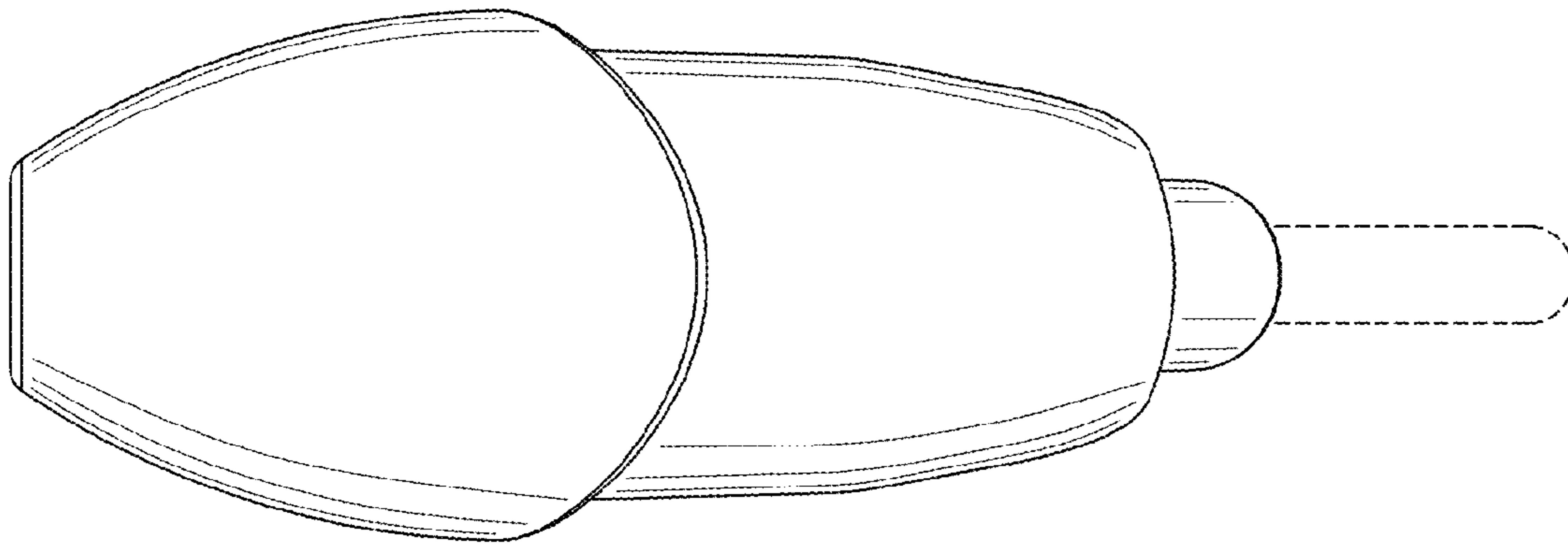


FIG. 9

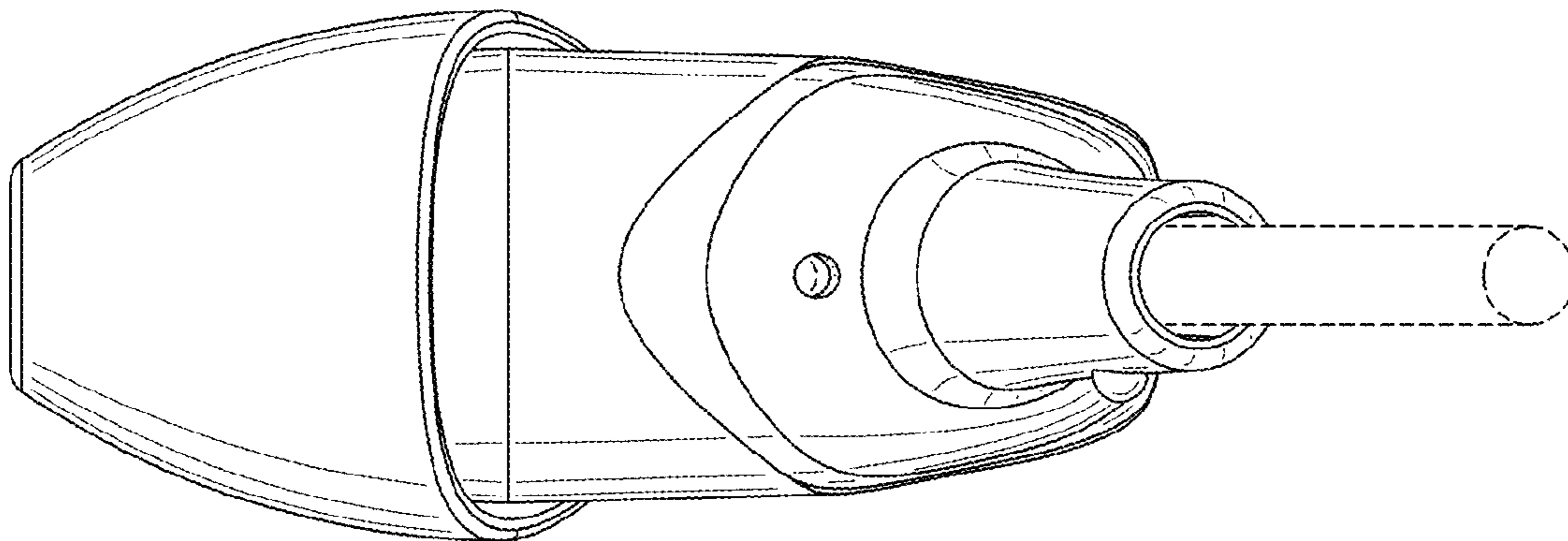


FIG. 10