



US00D676426S

(12) **United States Design Patent**
Komiyama

(10) **Patent No.:** **US D676,426 S**

(45) **Date of Patent:** **** Feb. 19, 2013**

(54) **EARPHONE**

(75) Inventor: **Jun Komiyama**, Tokyo (JP)

(73) Assignee: **Sony Corporation**, Tokyo (JP)

(**) Term: **14 Years**

(21) Appl. No.: **29/371,890**

(22) Filed: **Dec. 30, 2011**

(51) **LOC (9) Cl.** **14-01**

(52) **U.S. Cl.** **D14/223**

(58) **Field of Classification Search** D14/205,
D14/206, 223; 181/129, 130, 135; 379/430,
379/431; 381/380, 381, 374, 322, 323, 328;
455/90.3, 575.2

See application file for complete search history.

(56) **References Cited**

U.S. PATENT DOCUMENTS

D206,665	S	*	1/1967	Sanzone	D24/174
3,702,123	A	*	11/1972	Macken et al.	181/135
3,983,336	A	*	9/1976	Malek et al.	381/313
D266,271	S	*	9/1982	Johanson et al.	D24/174
4,716,985	A	*	1/1988	Haertl	181/130
D300,852	S	*	4/1989	Sunderland et al.	D24/174
5,363,444	A	*	11/1994	Norris	379/430
D397,796	S	*	9/1998	Yabe et al.	D24/174
D457,514	S	*	5/2002	Marion et al.	D14/223
D469,753	S	*	2/2003	Andre et al.	D14/205
D510,085	S		9/2005	Suzuki		
D539,268	S		3/2007	Suzuki		
D566,099	S	*	4/2008	Komiyama	D14/206
D567,217	S	*	4/2008	Kamo et al.	D14/205
D573,978	S	*	7/2008	Ledbetter et al.	D14/205
D587,247	S	*	2/2009	Densho	D14/223
D591,721	S	*	5/2009	Densho	D14/205
D598,431	S		8/2009	Densho		
D599,778	S	*	9/2009	Ando	D14/205
D610,129	S	*	2/2010	Densho et al.	D14/223

D612,058	S	*	3/2010	Wai	D24/174
D629,395	S	*	12/2010	Lee et al.	D14/223
D637,180	S	*	5/2011	Shimizu et al.	D14/223
D637,181	S	*	5/2011	Fuller et al.	D14/223
D643,416	S	*	8/2011	Chong et al.	D14/223
8,213,668	B2	*	7/2012	Tsao et al.	381/380

* cited by examiner

Primary Examiner — Paula Greene

(74) *Attorney, Agent, or Firm* — Rader, Fishman & Grauer PLLC

(57) **CLAIM**

The ornamental design for an earphone, as shown and described.

DESCRIPTION

FIG. 1 is a perspective view of a first embodiment of an earphone showing my new design;

FIG. 2 is a front elevational view thereof;

FIG. 3 is a rear elevational view thereof;

FIG. 4 is a left side elevational view thereof;

FIG. 5 is a right side elevational view thereof;

FIG. 6 is a top plan view thereof; and

FIG. 7 is a bottom plan view thereof.

FIG. 8 is a perspective view of a second embodiment of an earphone showing my new design;

FIG. 9 is a front elevational view thereof;

FIG. 10 is a rear elevational view thereof;

FIG. 11 is a left side elevational view thereof;

FIG. 12 is a right side elevational view thereof;

FIG. 13 is a top plan view thereof; and,

FIG. 14 is a bottom plan view thereof.

The portions indicated in broken lines are for illustrative purposes only and form no part of the claimed design.

1 Claim, 10 Drawing Sheets

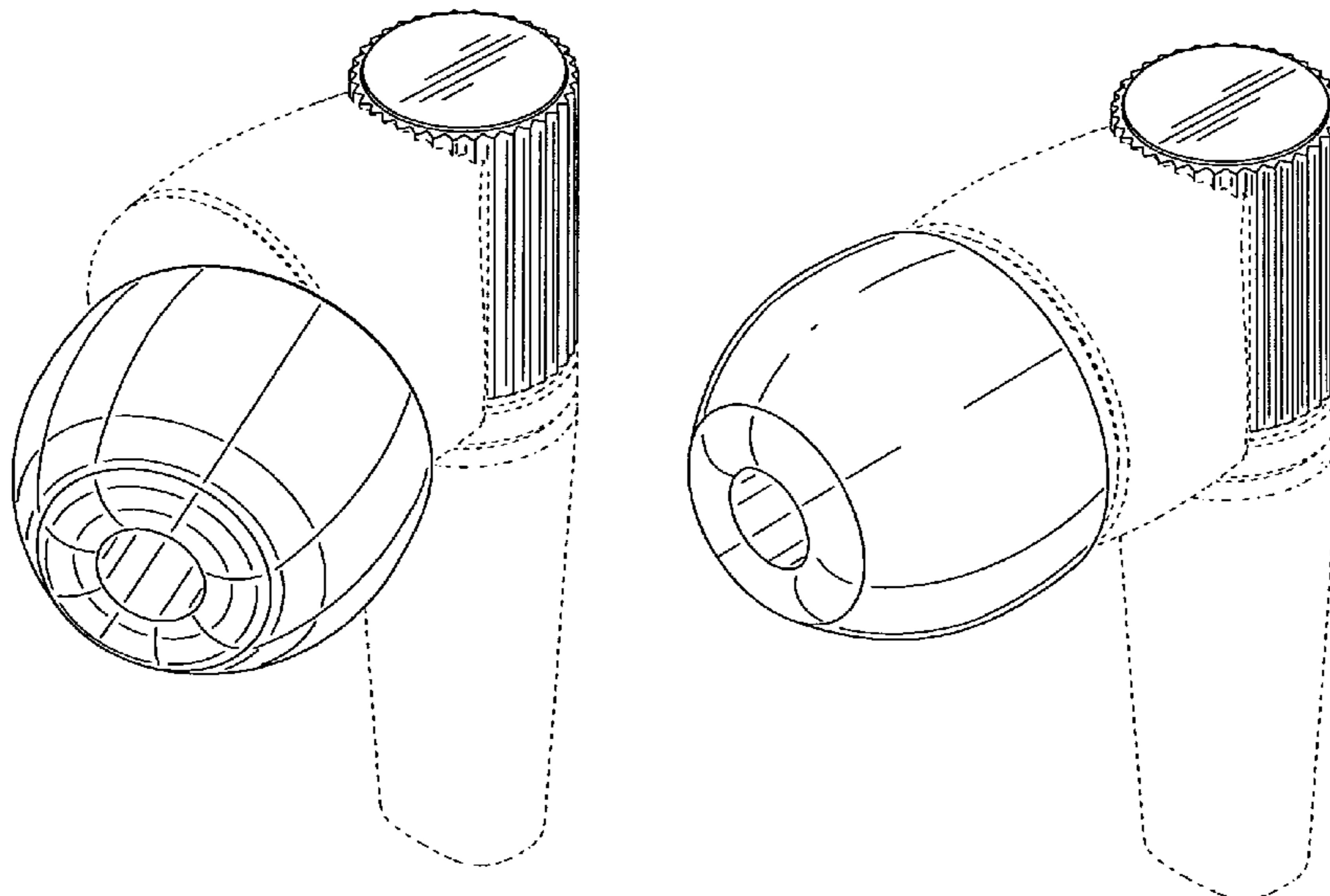


FIG. 1

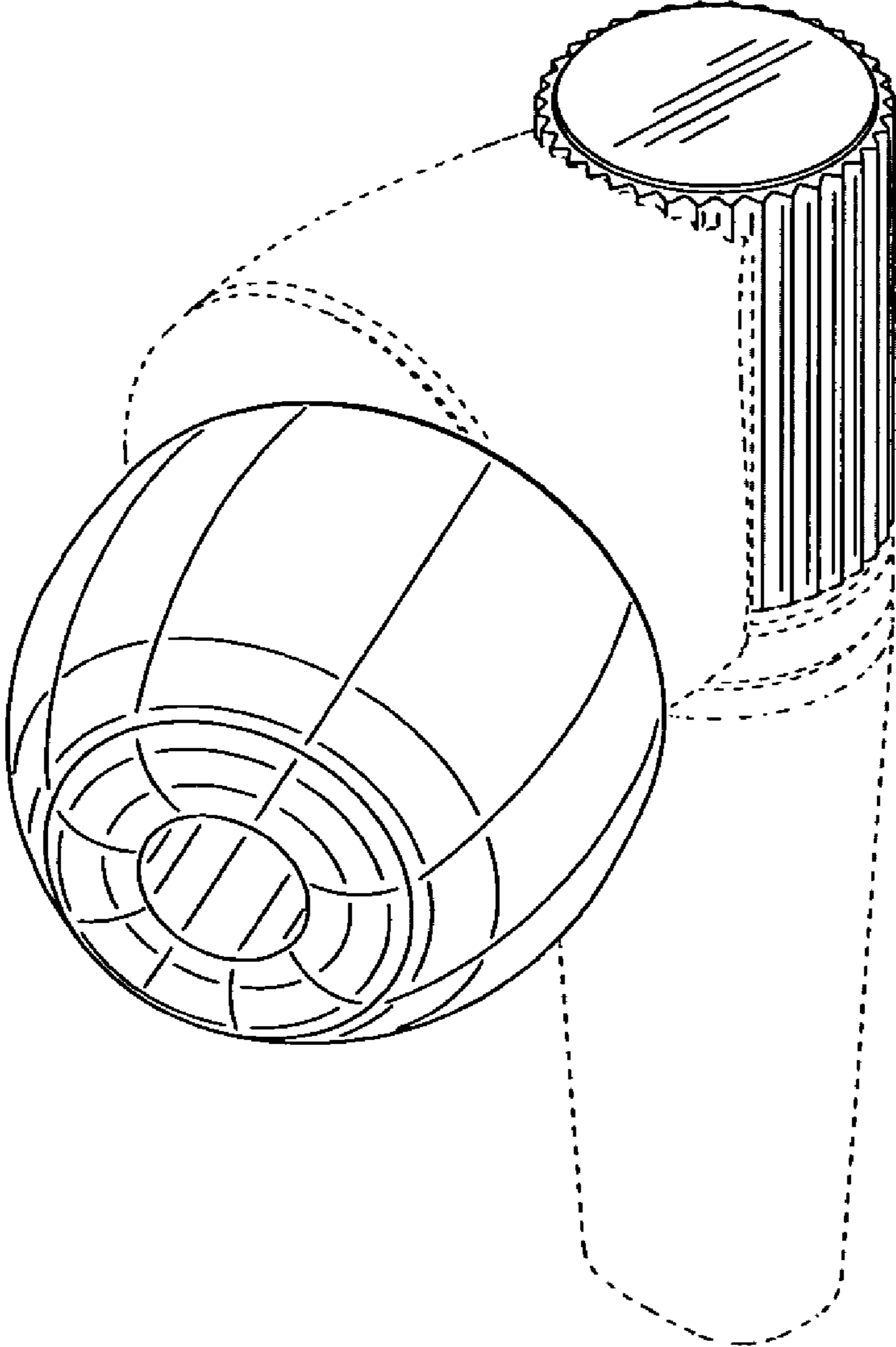


FIG.2

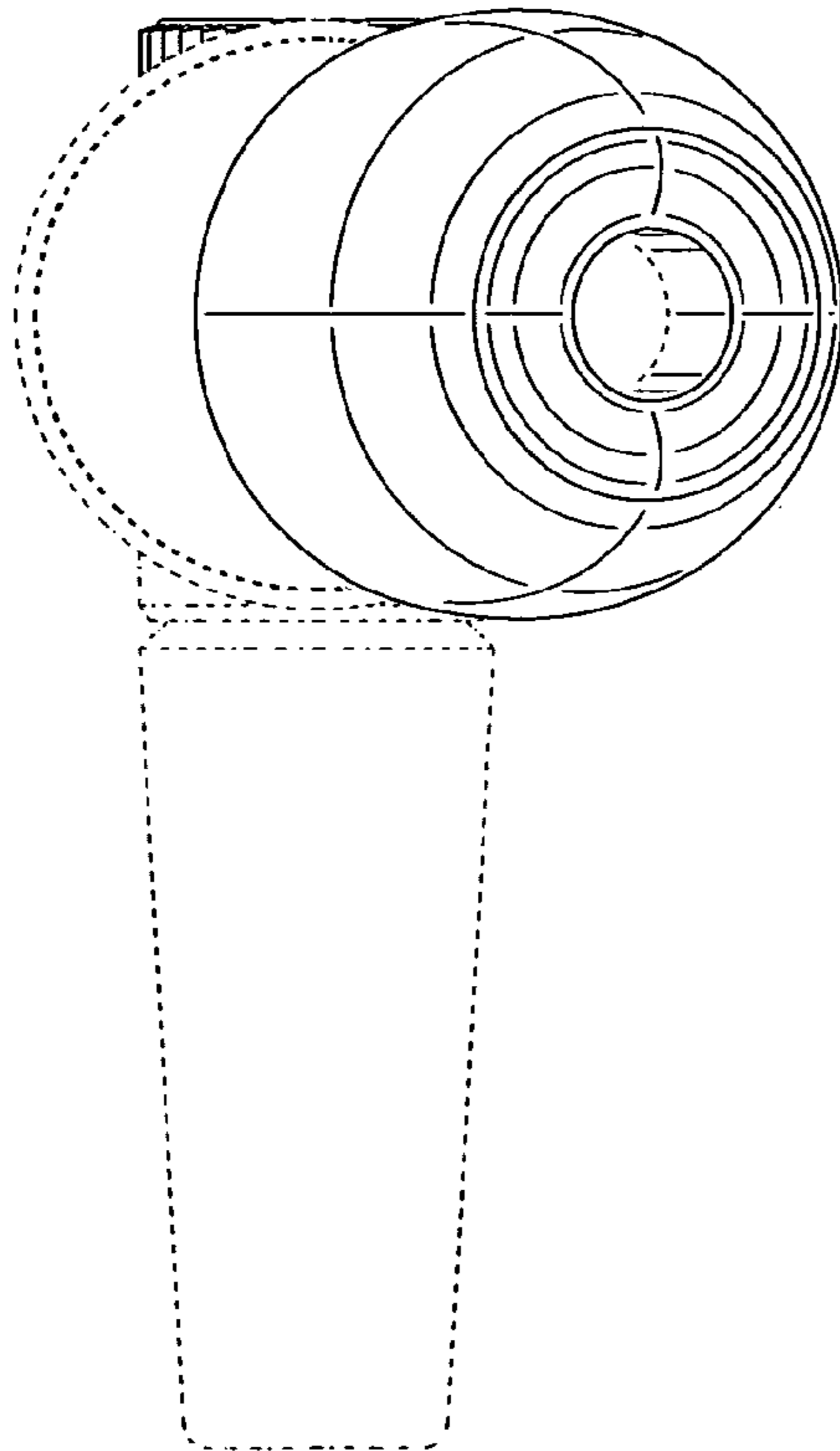


FIG.3

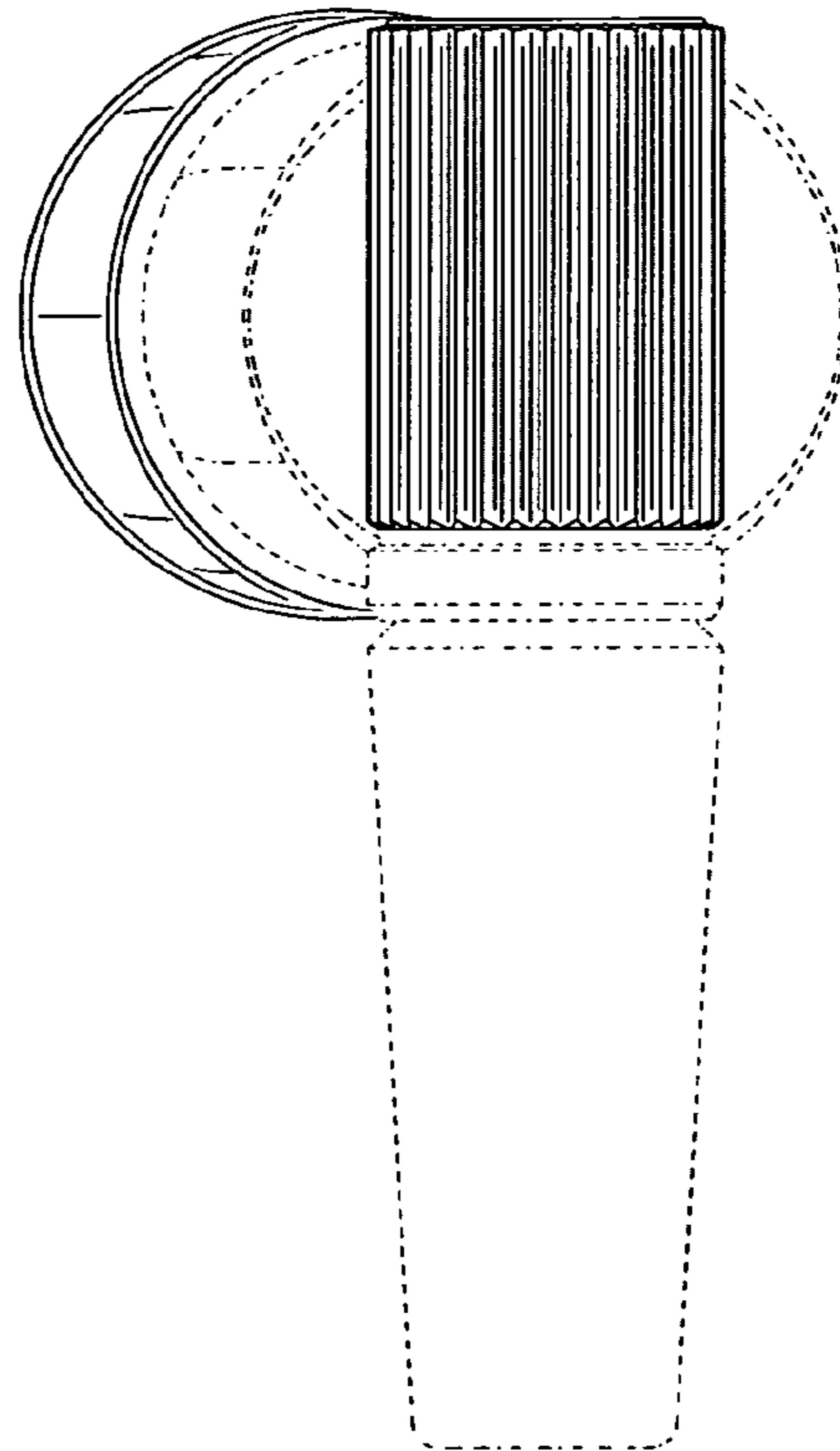


FIG.4

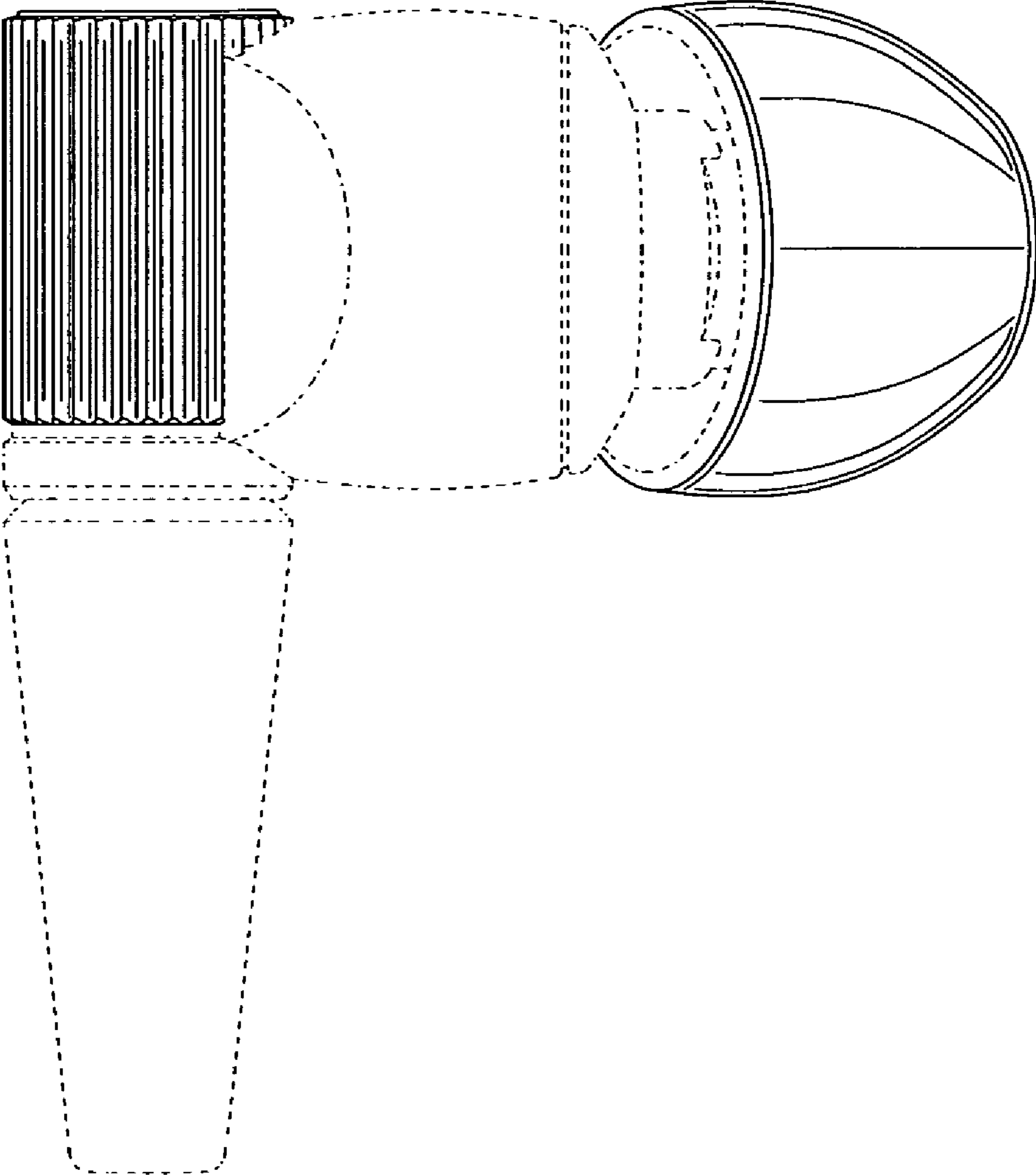


FIG.5

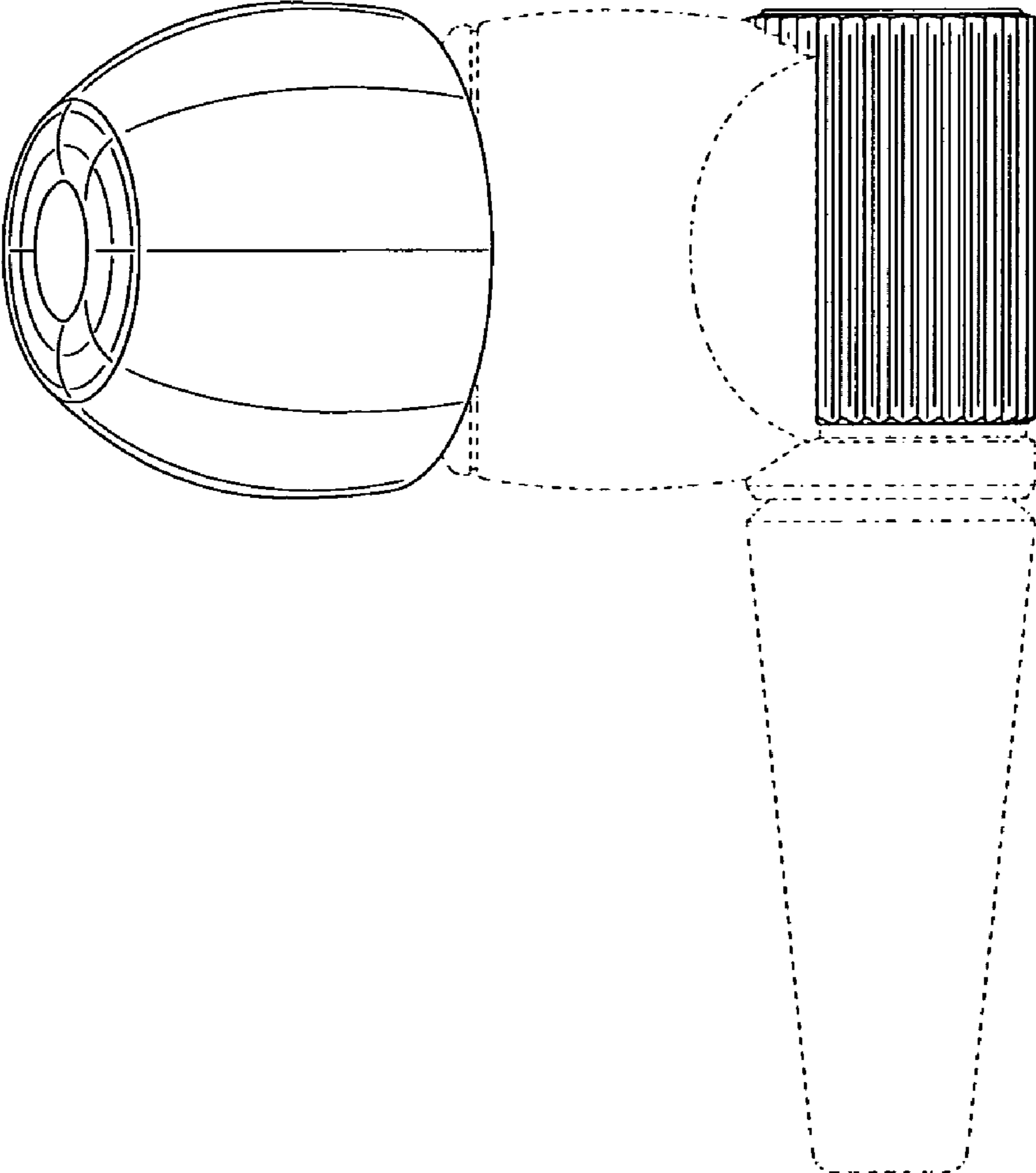


FIG.6

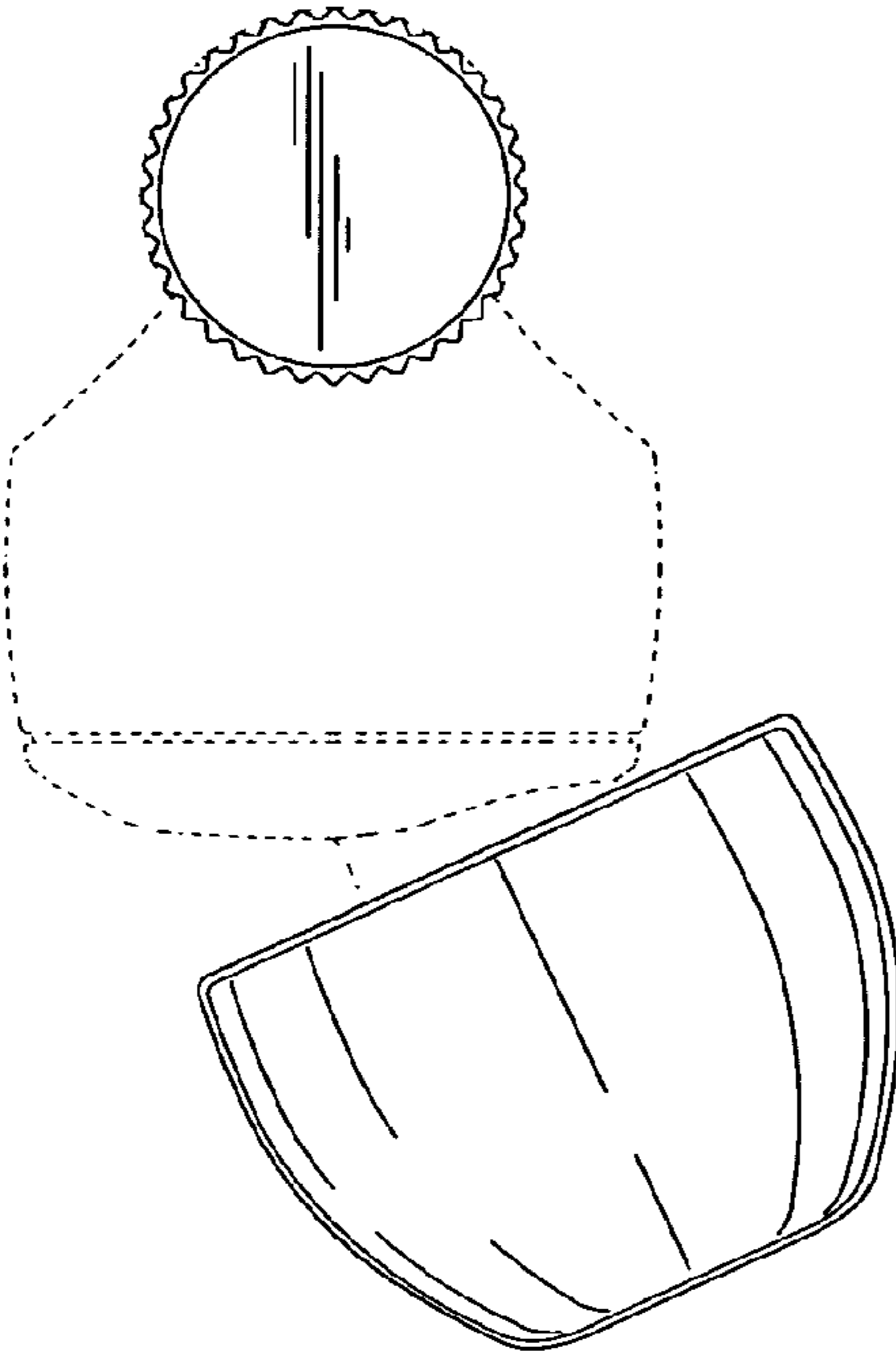


FIG.7

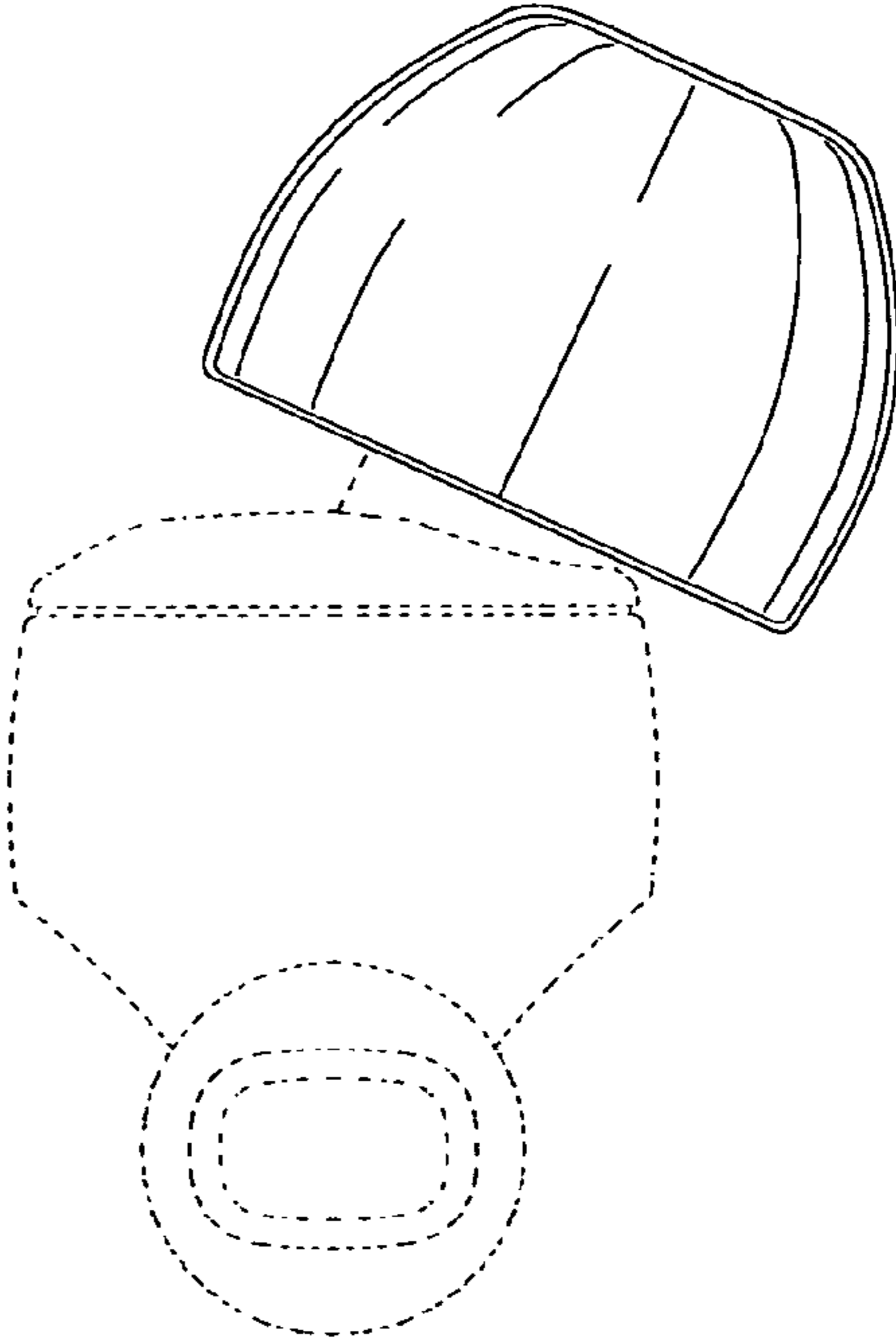


FIG.8

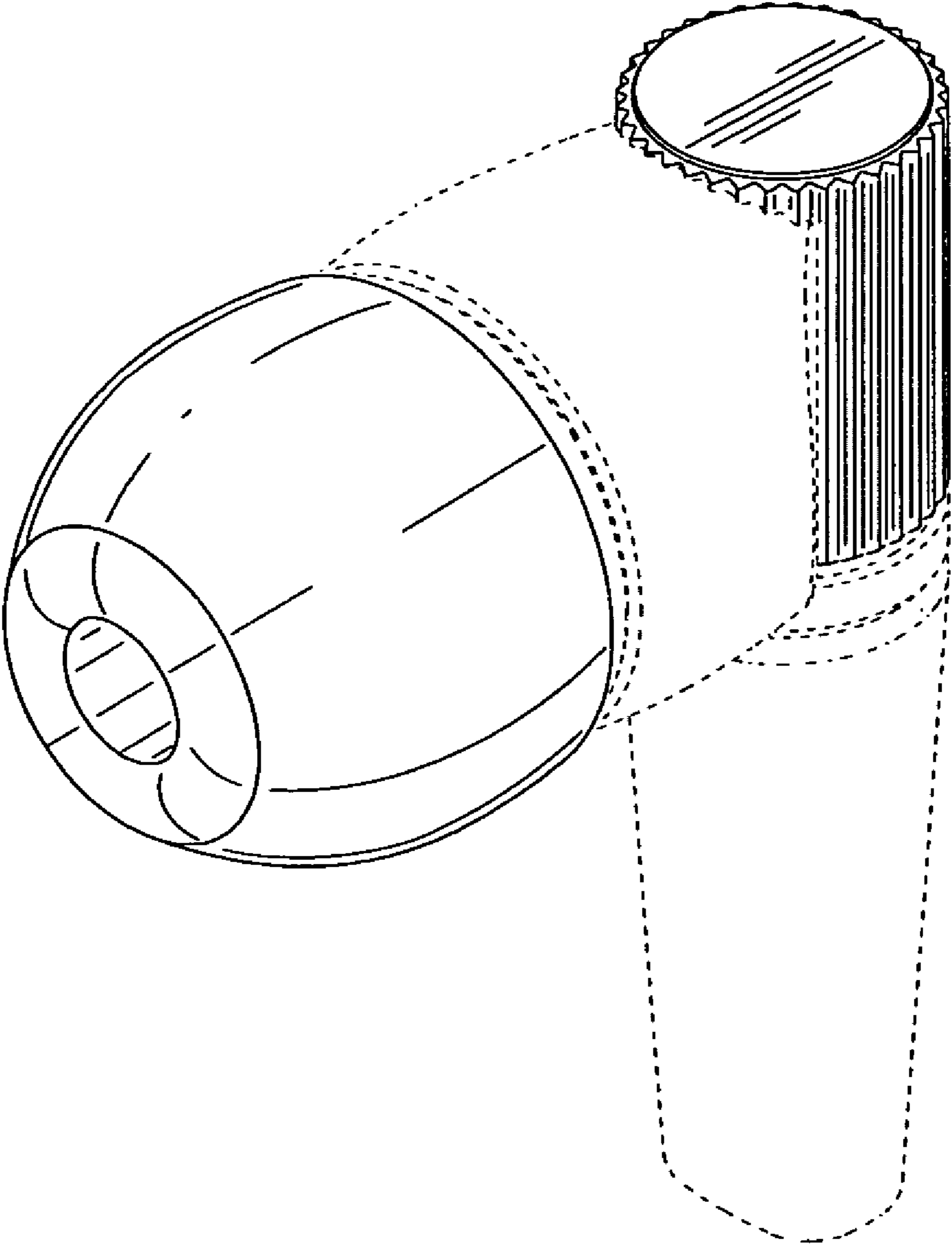


FIG.9

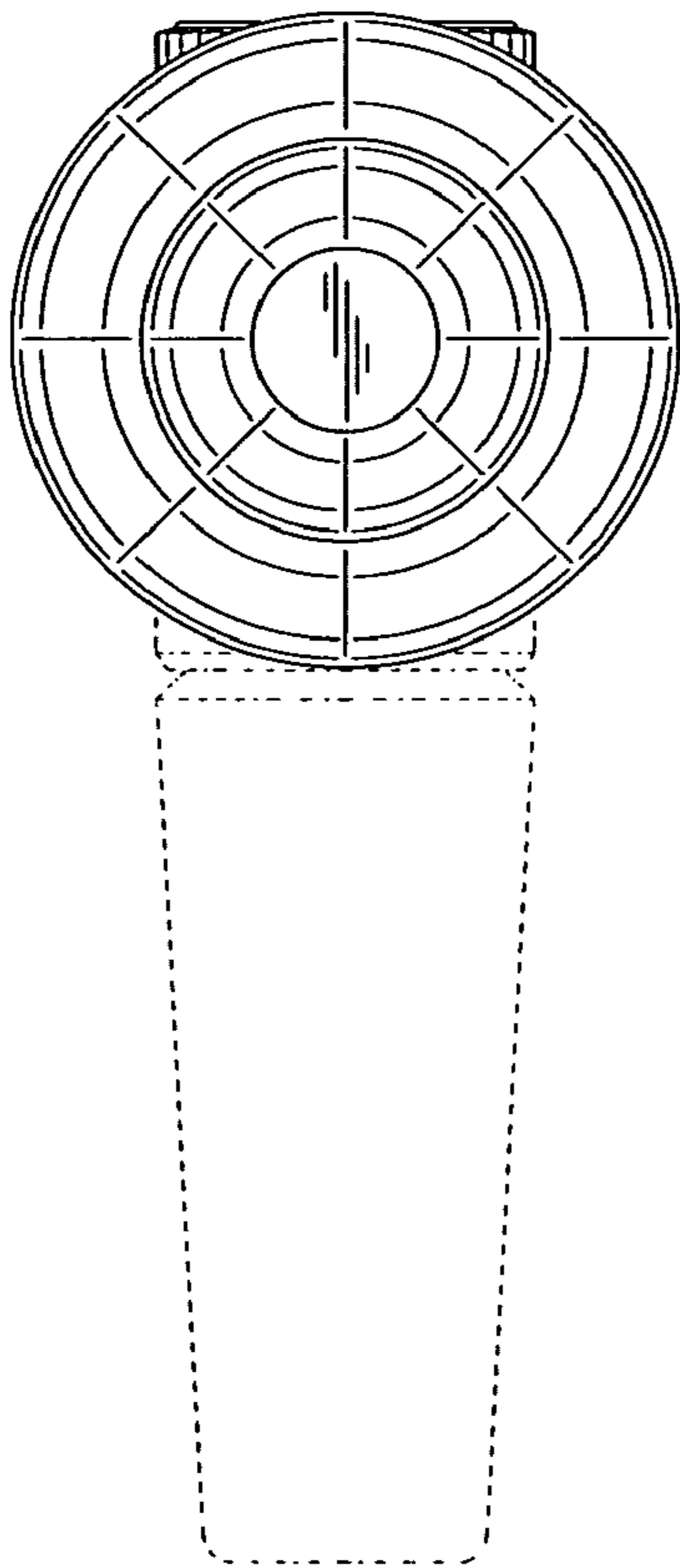


FIG.10

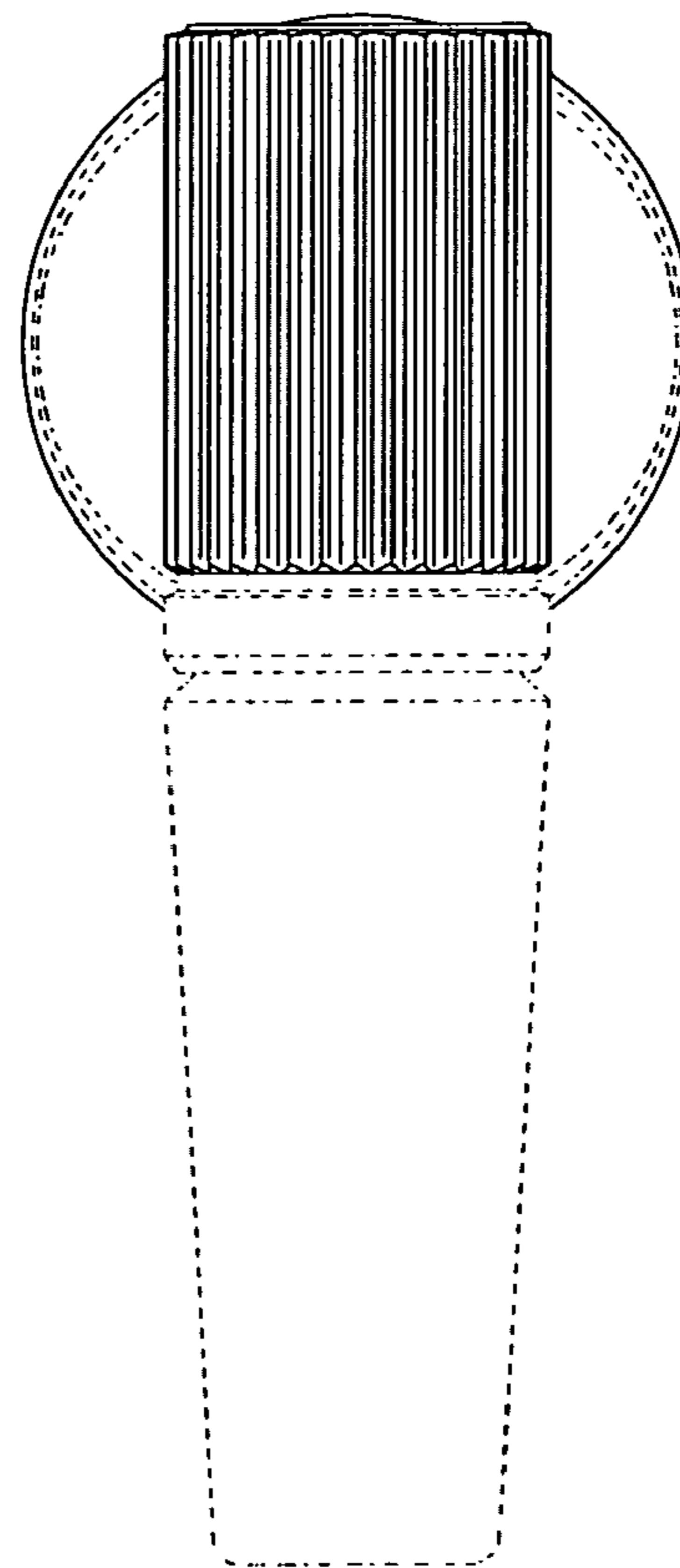


FIG. 11

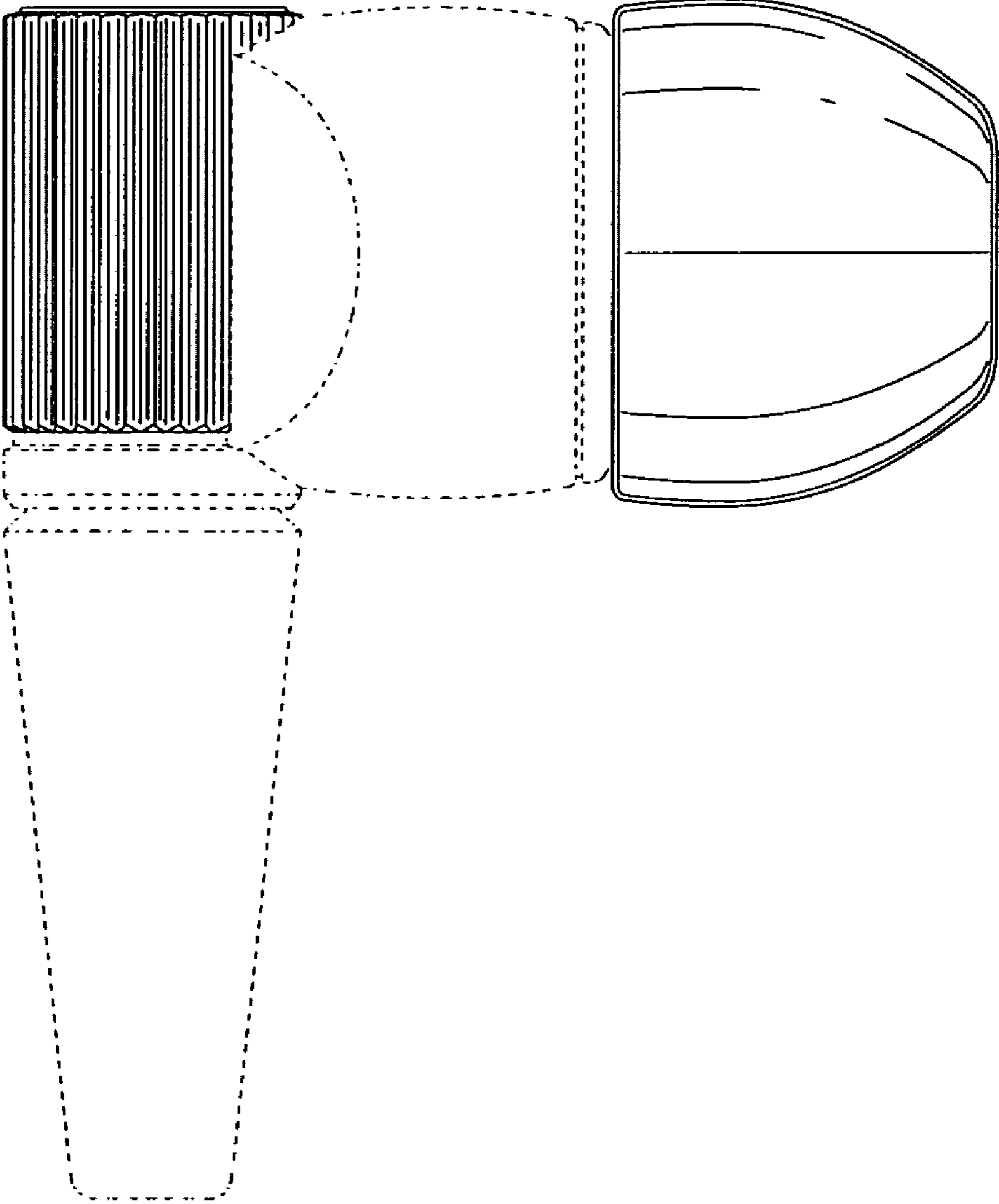


FIG.12

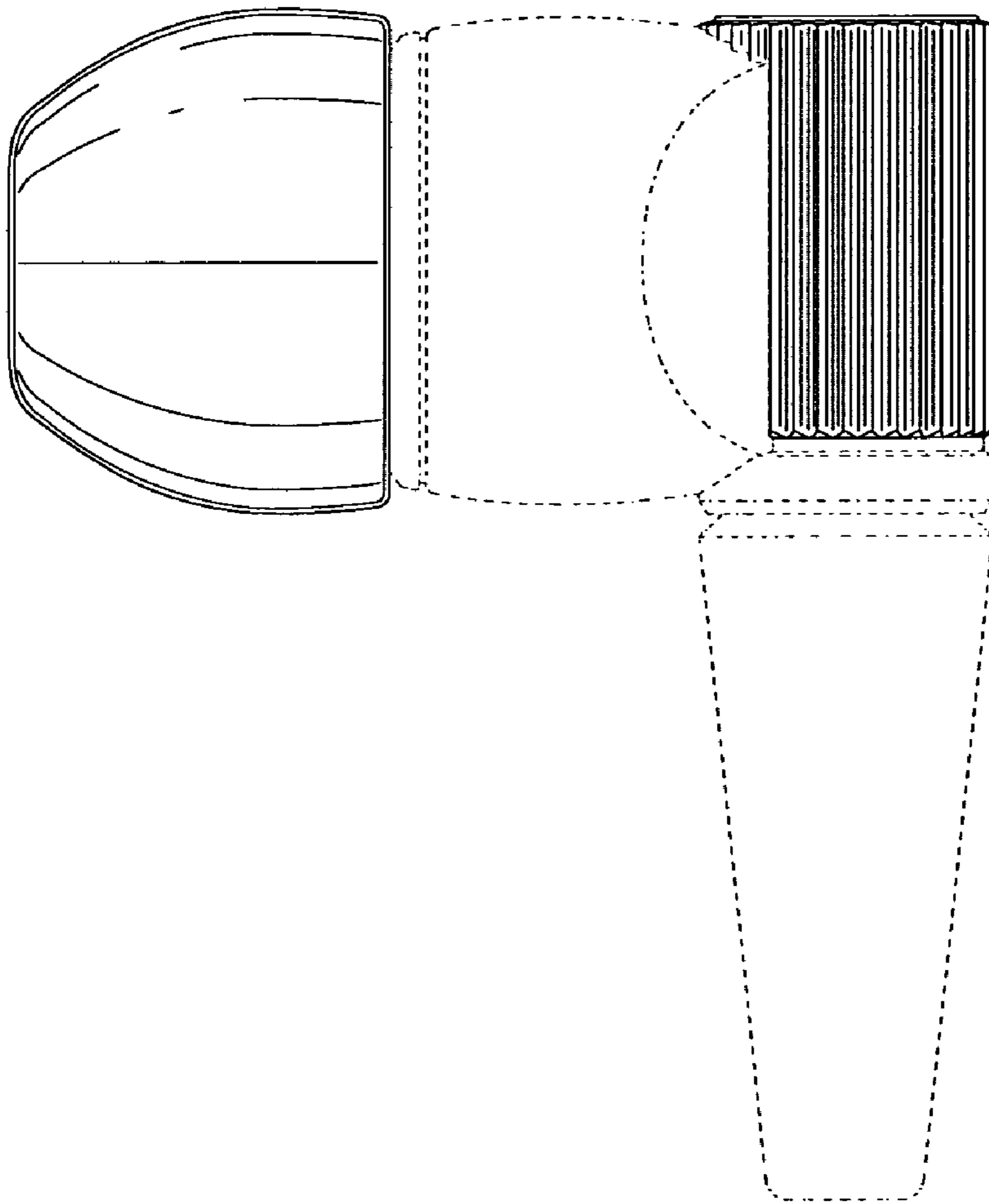


FIG.13

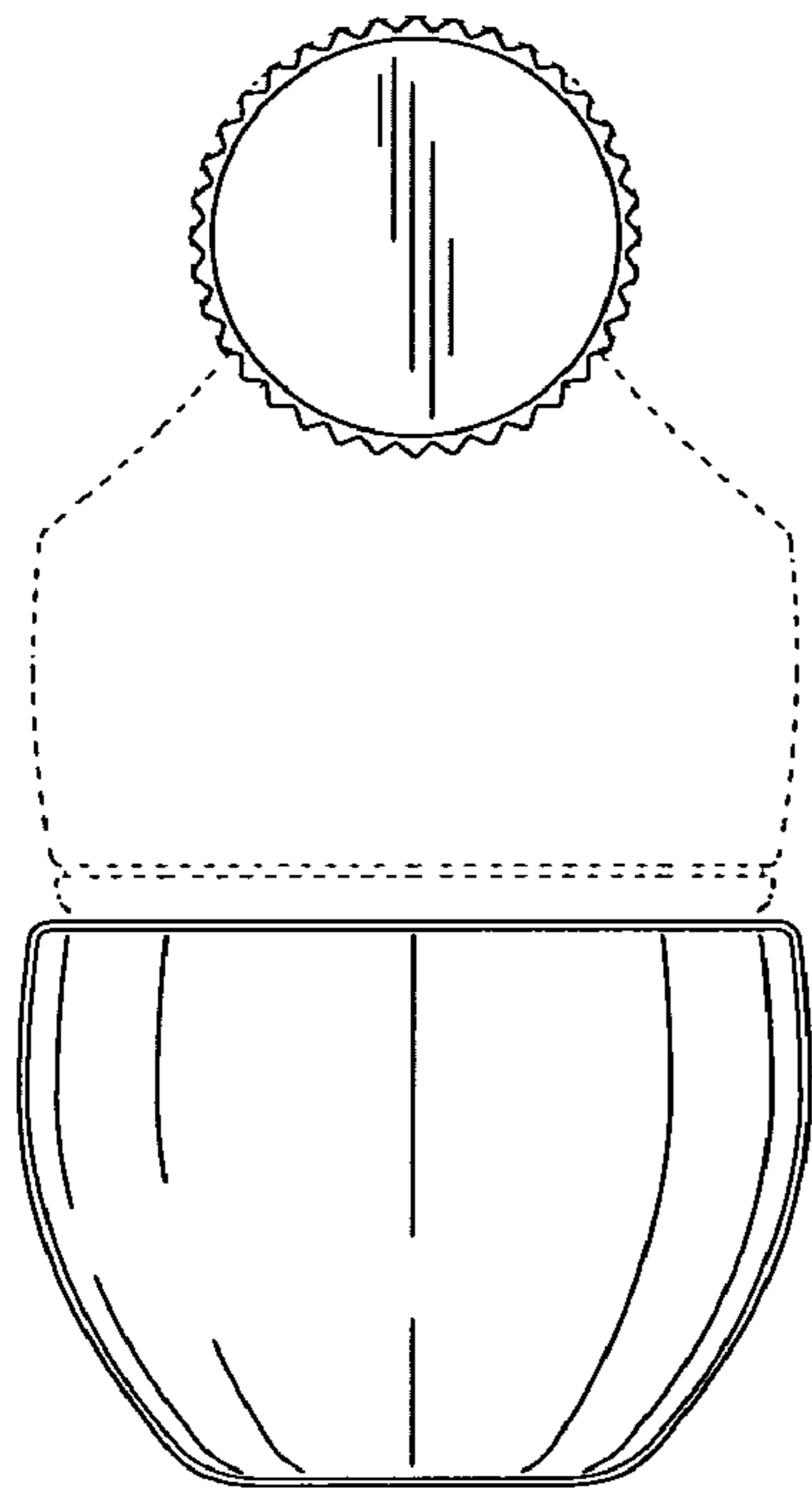


FIG.14

